

[54] **MANUAL WINCH DEVICE**

[76] **Inventor:** Y. S. Shieh, No. 15, Lane 493,  
Yuan-Chi Rd., Sec. 2, Yuan-Lin Jen,  
Chang Hua Hsien, Taiwan

[\*\*] **Term:** 14 Years

[21] **Appl. No.:** 194,718

[22] **Filed:** May 17, 1988

[52] **U.S. Cl.** ..... D34/33

[58] **Field of Search** ..... 254/311, 266, 271, 274;  
D34/33

[56] **References Cited**

**U.S. PATENT DOCUMENTS**

2,913,224 5/1955 Uhlig ..... D34/33

**OTHER PUBLICATIONS**

Wallace Products Cat., May 25, 1976, p. 81, winch-hoist, single item on page.  
Wards F&W, 1971, p. 8, 1161, winch hoist, see item 3, top right hand side.

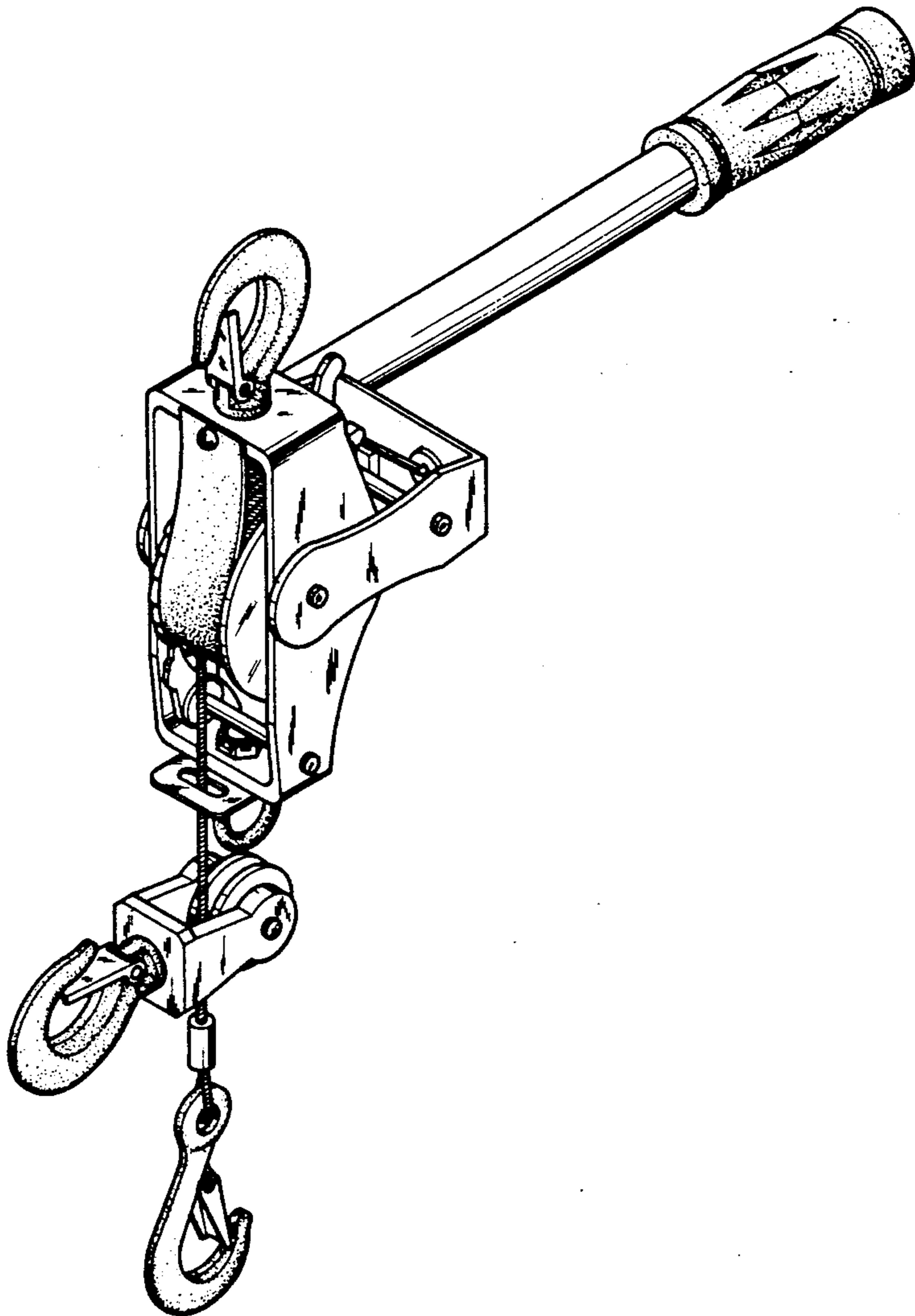
*Primary Examiner*—Wallace R. Burke  
*Assistant Examiner*—H. Baynham  
*Attorney, Agent, or Firm*—Dvorak and Traub

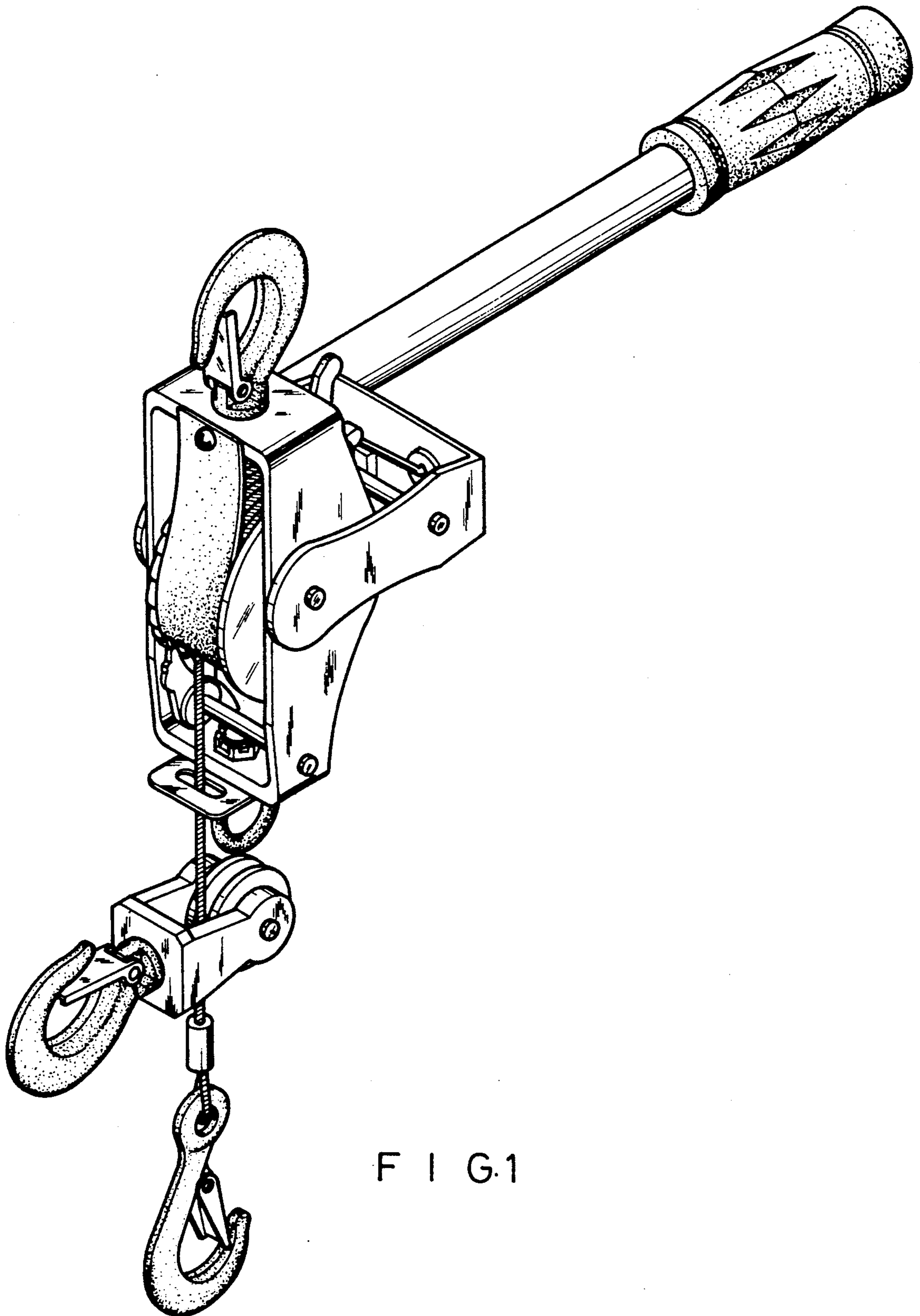
[57] **CLAIM**

The ornamental design for a manual winch device, as shown and described.

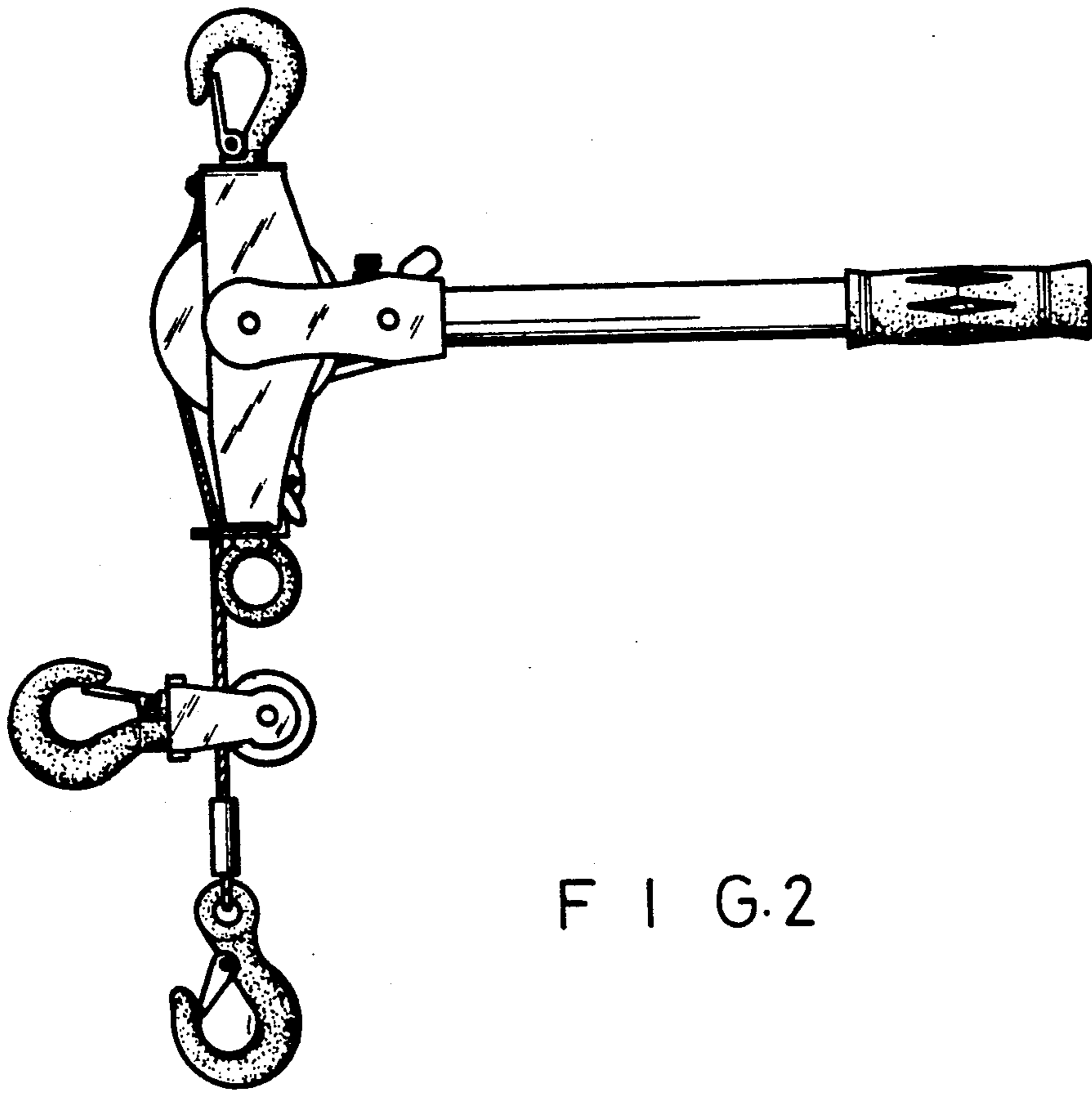
**DESCRIPTION**

FIG. 1 is a perspective view of a manual winch device showing my new design;  
FIG. 2 is a right side elevational view thereof;  
FIG. 3 is a left side elevational view thereof;  
FIG. 4 is a top plan view thereof;  
FIG. 5 is a bottom plan view thereof;  
FIG. 6 is a rear elevational view thereof;  
FIG. 7 is a front elevational view thereof.

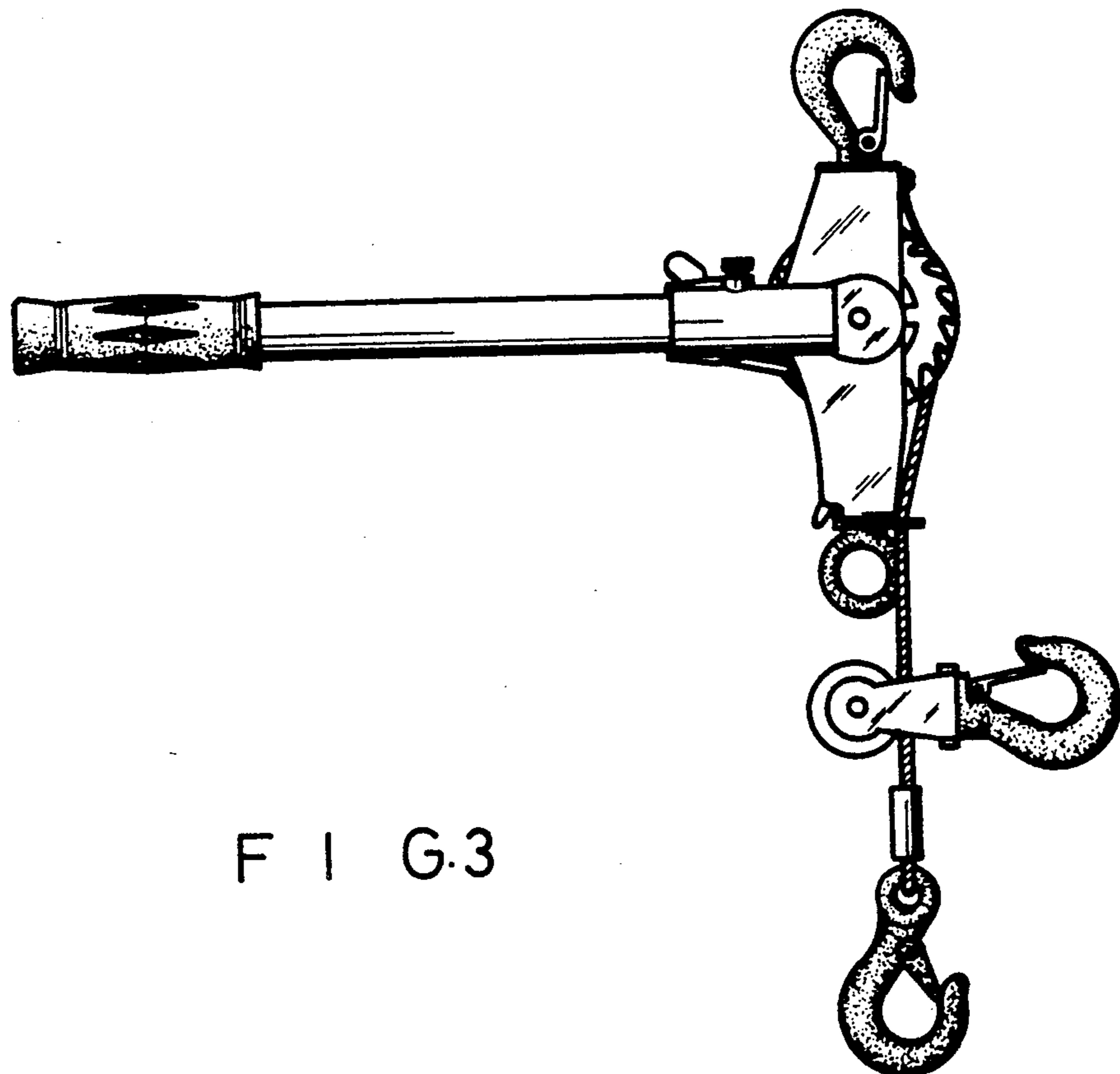




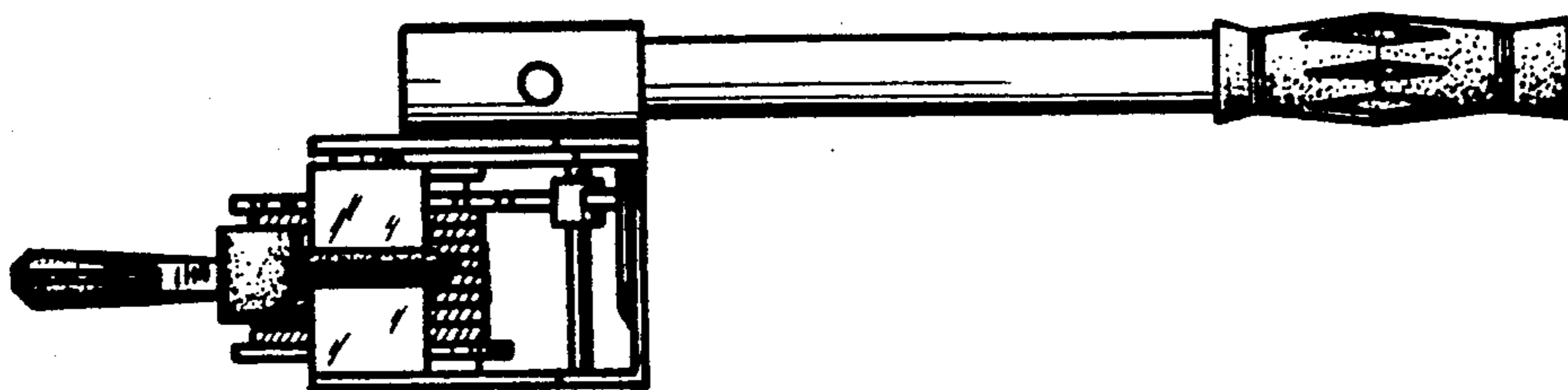
F I G. 1



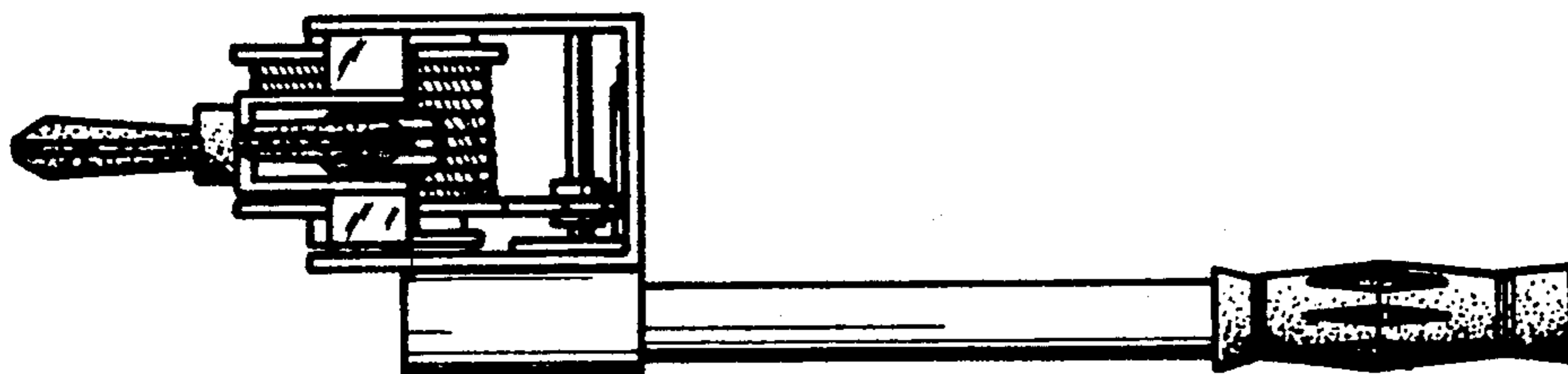
F I G. 2



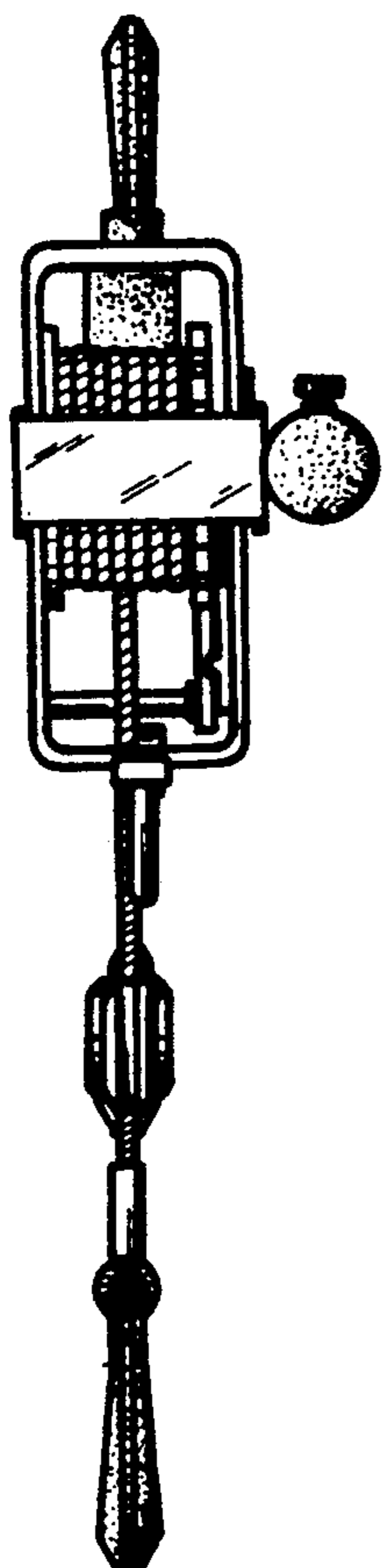
F I G. 3



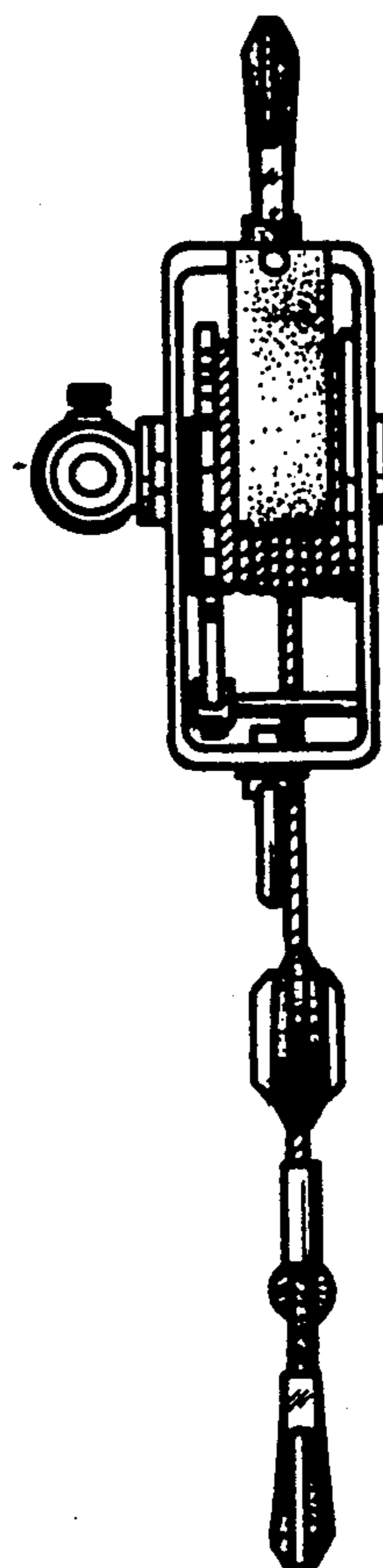
F I G. 4



F I G. 5



F I G. 7



F I G. 6