

[54] **COMBINED BRUSH HEAD AND SCRAPER**

[76] **Inventor: Chii M. Huang, 7 Tuu Kuh North Road, Nan Tzu, POB6-53, Kaohsiung, Taiwan**

[\*\*] **Term: 14 Years**

[21] **Appl. No.: 141,680**

[22] **Filed: Jan. 7, 1988**

[52] **U.S. Cl. .... D32/41; D4/118**

[58] **Field of Search .... D4/116, 118; D32/35, D32/40-42; 15/105-106, 111, 117, 121, 114, 159 R, 245; 401/23-27**

[56] **References Cited**

**U.S. PATENT DOCUMENTS**

|            |         |                       |          |
|------------|---------|-----------------------|----------|
| D. 177,031 | 3/1956  | Gilchrist et al. .... | D32/41   |
| D. 186,268 | 10/1959 | Yearley .....         | D32/41   |
| D. 235,119 | 5/1975  | Gode .....            | D4/118   |
| D. 235,410 | 6/1975  | Epstein .....         | D32/41   |
| D. 257,521 | 11/1980 | Piero .....           | D4/118   |
| D. 278,099 | 3/1985  | Evans .....           | D4/116   |
| D. 291,378 | 8/1987  | Viner .....           | D32/41   |
| 1,952,477  | 3/1934  | Stich .....           | 401/261  |
| 2,587,382  | 2/1952  | Pyne .....            | 401/139  |
| 2,741,789  | 4/1956  | Ray .....             | 401/139  |
| 2,745,126  | 5/1956  | Mora .....            | 15/245 X |
| 2,904,807  | 9/1959  | Obergfell .....       | 15/105   |
| 3,118,166  | 1/1964  | Bell .....            | 401/25   |

|           |        |                |          |
|-----------|--------|----------------|----------|
| 3,455,638 | 7/1969 | Braswell ..... | 401/23   |
| 3,783,469 | 1/1974 | Siemund .....  | 15/209 R |
| 3,837,747 | 9/1974 | Seymore .....  | 401/25   |
| 4,050,111 | 9/1977 | Mallory .....  | 15/232   |
| 4,763,378 | 8/1988 | Drumm .....    | 15/146   |

**FOREIGN PATENT DOCUMENTS**

|         |         |                            |         |
|---------|---------|----------------------------|---------|
| 2316276 | 10/1974 | Fed. Rep. of Germany ..... | 401/23  |
| 1151795 | 2/1958  | France .....               | 401/139 |
| 635741  | 4/1983  | Switzerland .....          | 15/245  |
| 1330348 | 9/1973  | United Kingdom .....       | 401/139 |

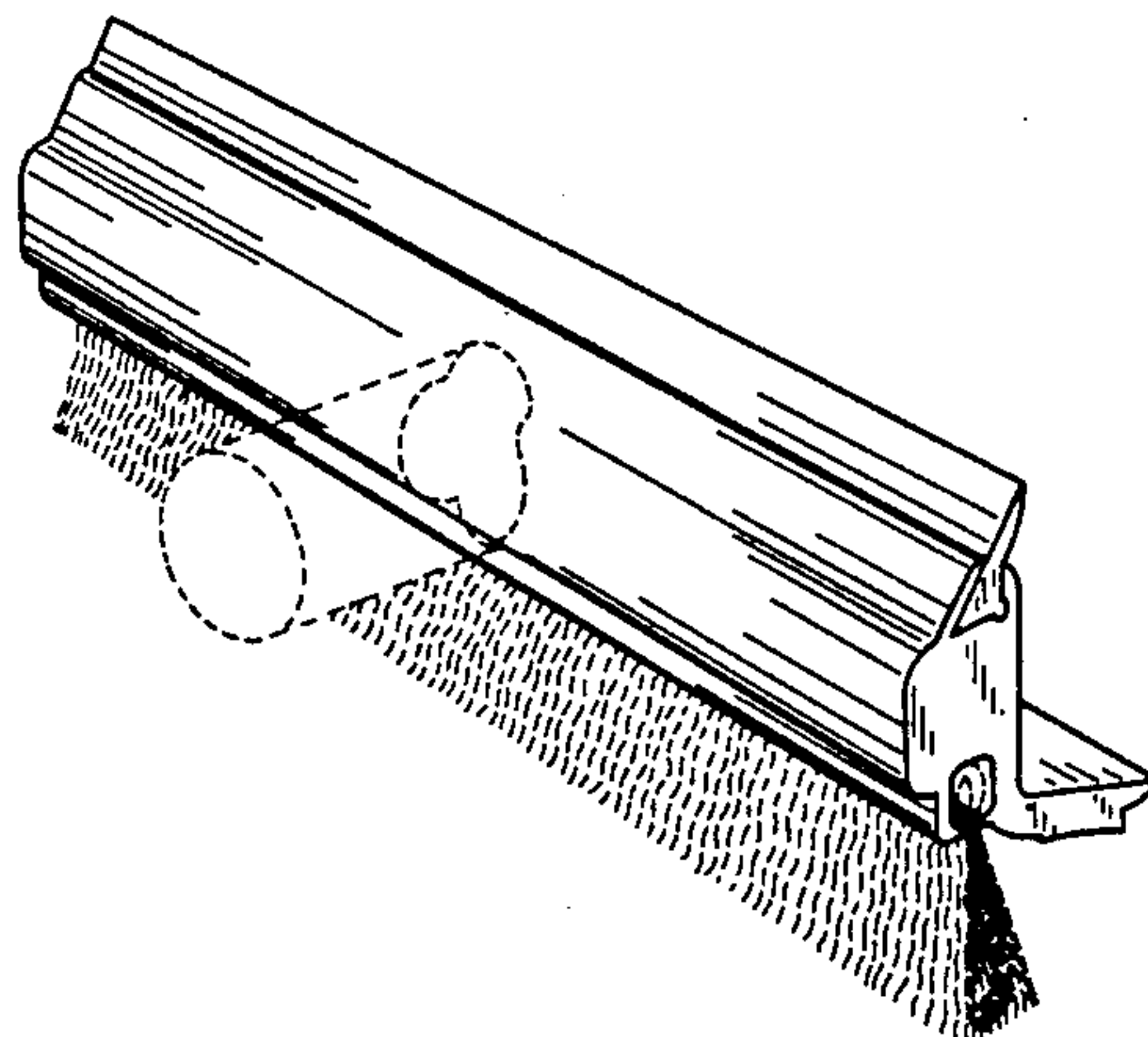
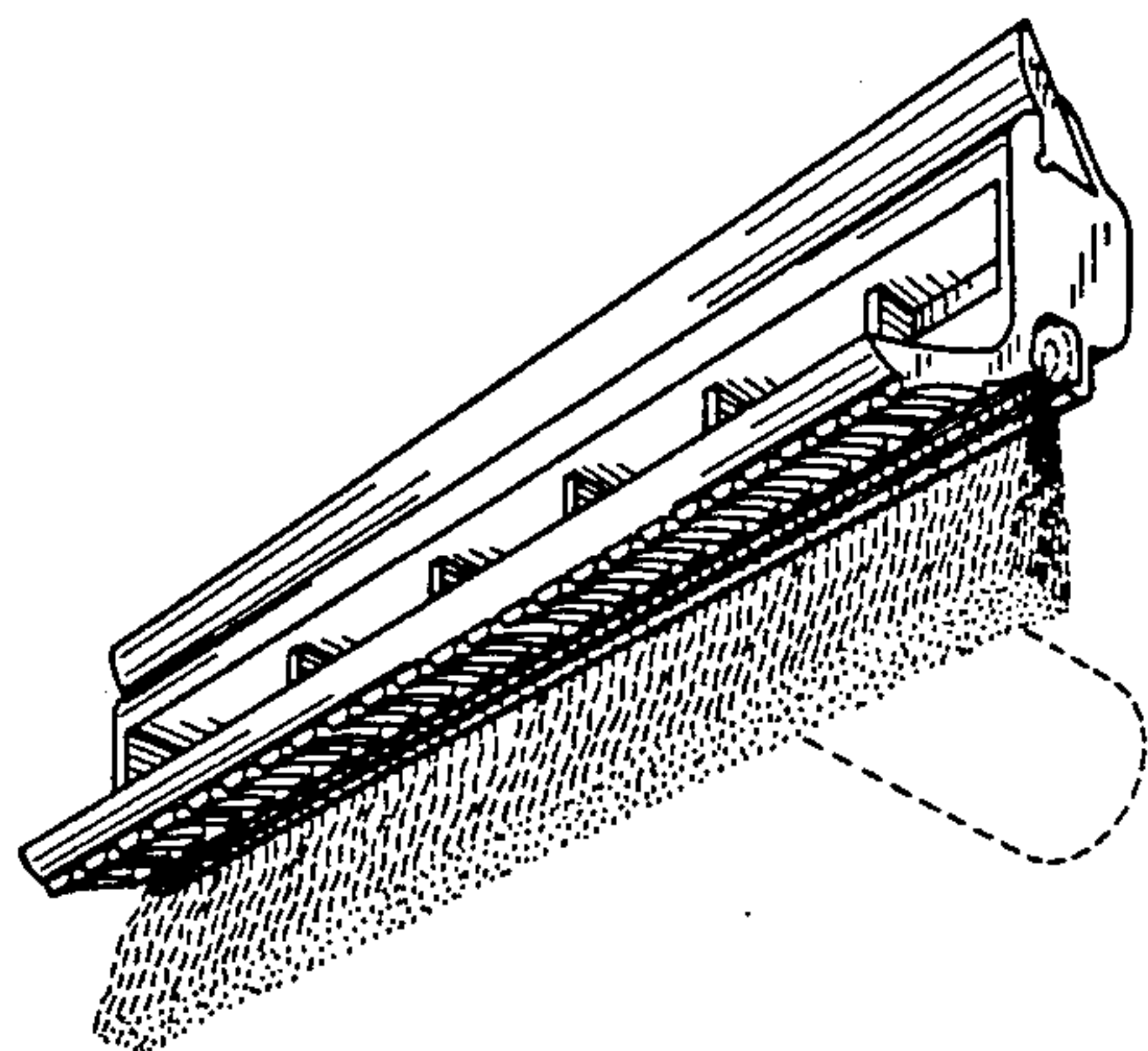
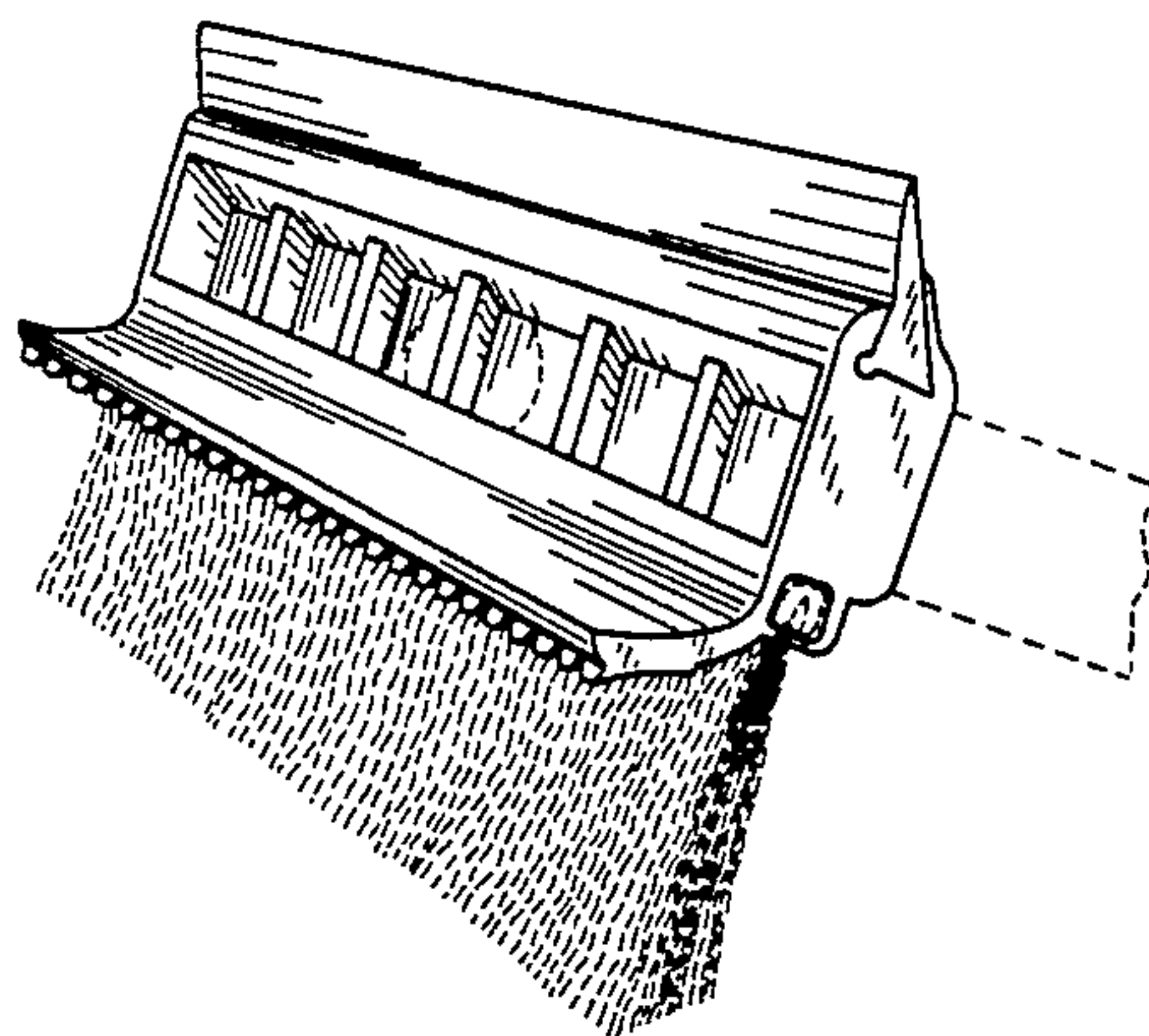
*Primary Examiner*—Wallace R. Burke  
*Assistant Examiner*—Lavone D. Tabor  
*Attorney, Agent, or Firm*—Watts, Hoffmann, Fisher & Heinke Co.

[57] **CLAIM**

The ornamental design for a combined brush head and scraper, as shown and described.

**DESCRIPTION**

FIG. 1 is a front perspective view of a combined brush head and scraper showing my new design; FIG. 2 is a top perspective view thereof; FIG. 3 is a bottom perspective view thereof; and FIG. 4 is a rear perspective view thereof. The handle and bristle element are shown in broken lines for illustrative purposes only and form no part of the claimed design.



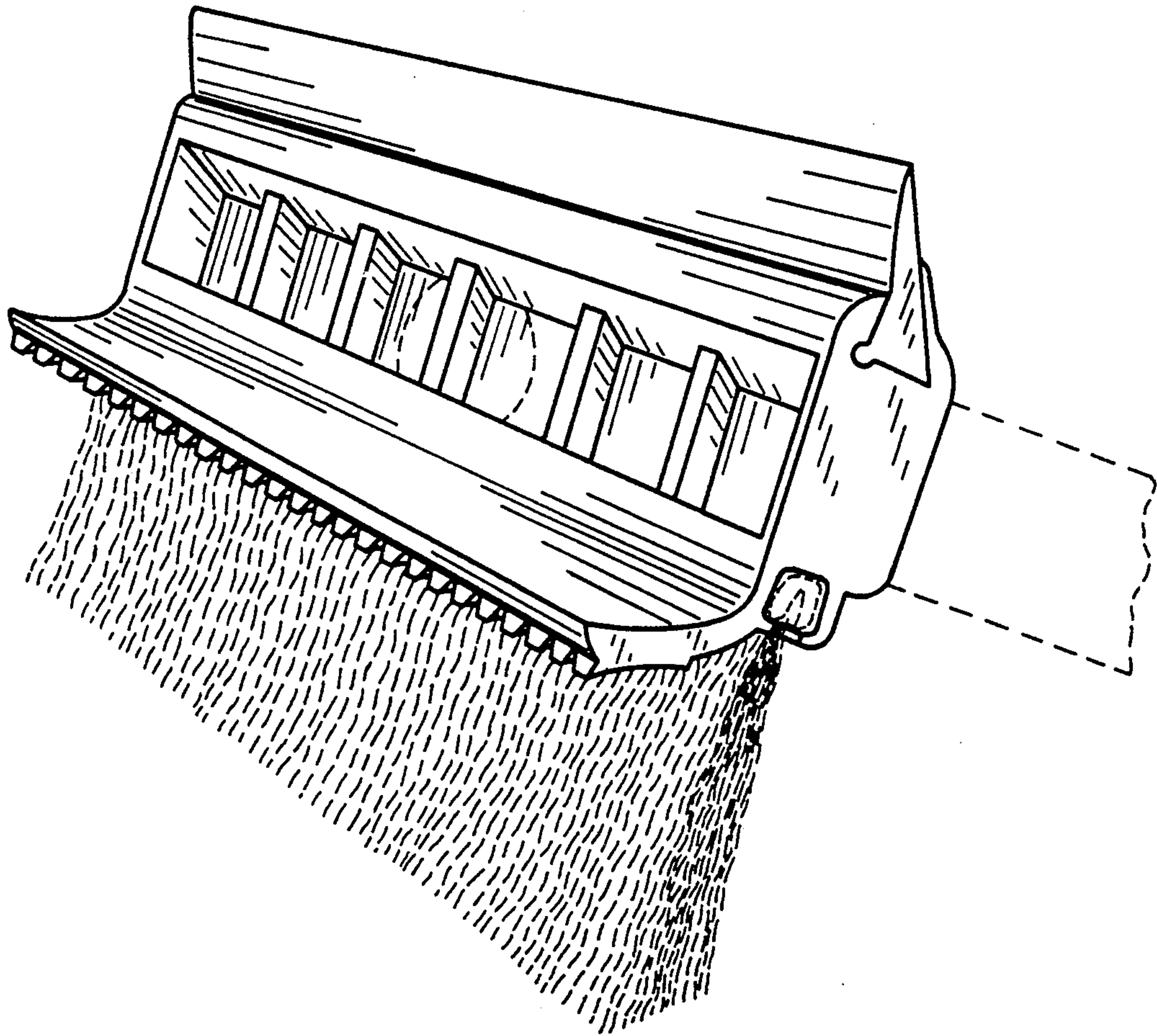


FIG. 1

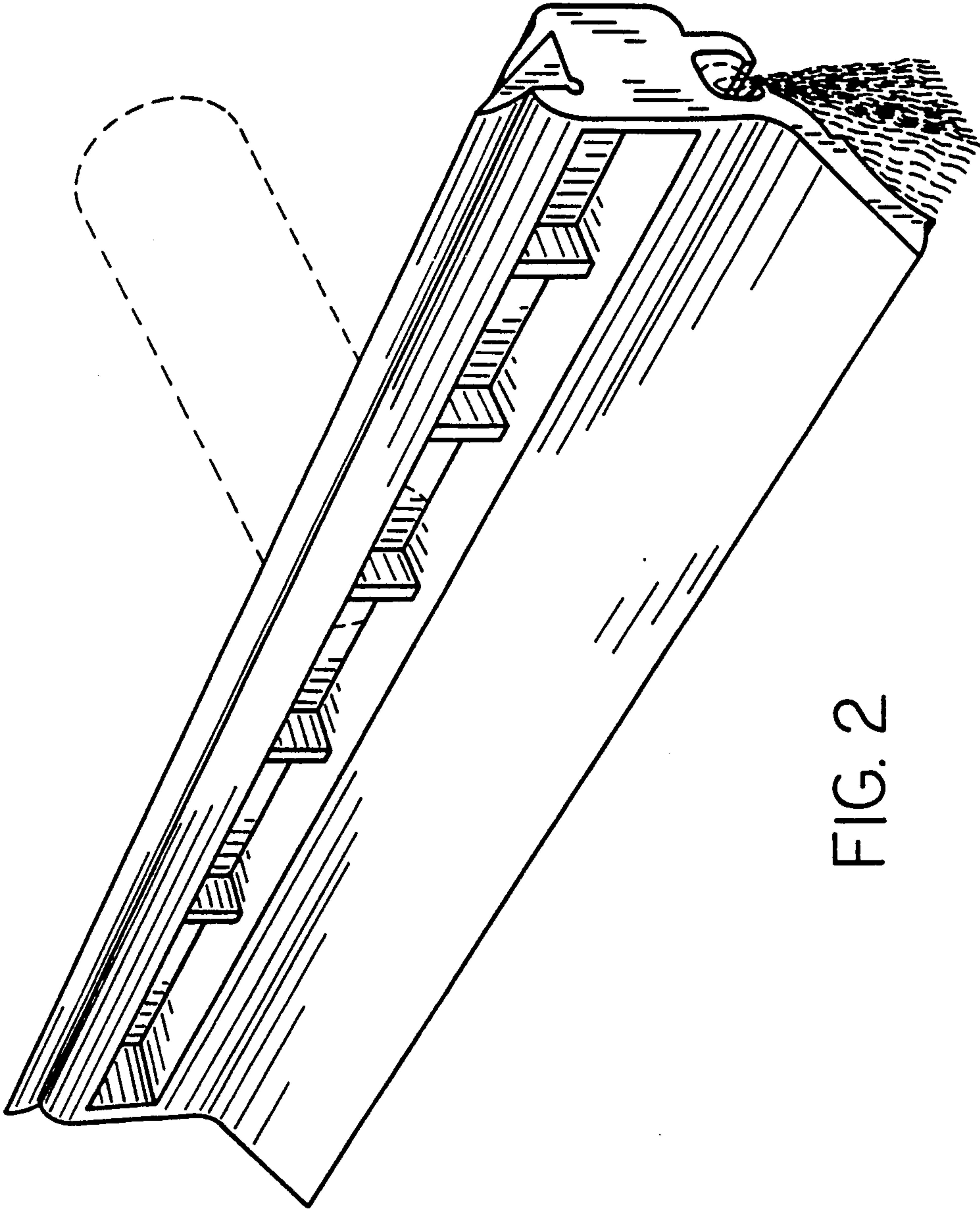


FIG. 2



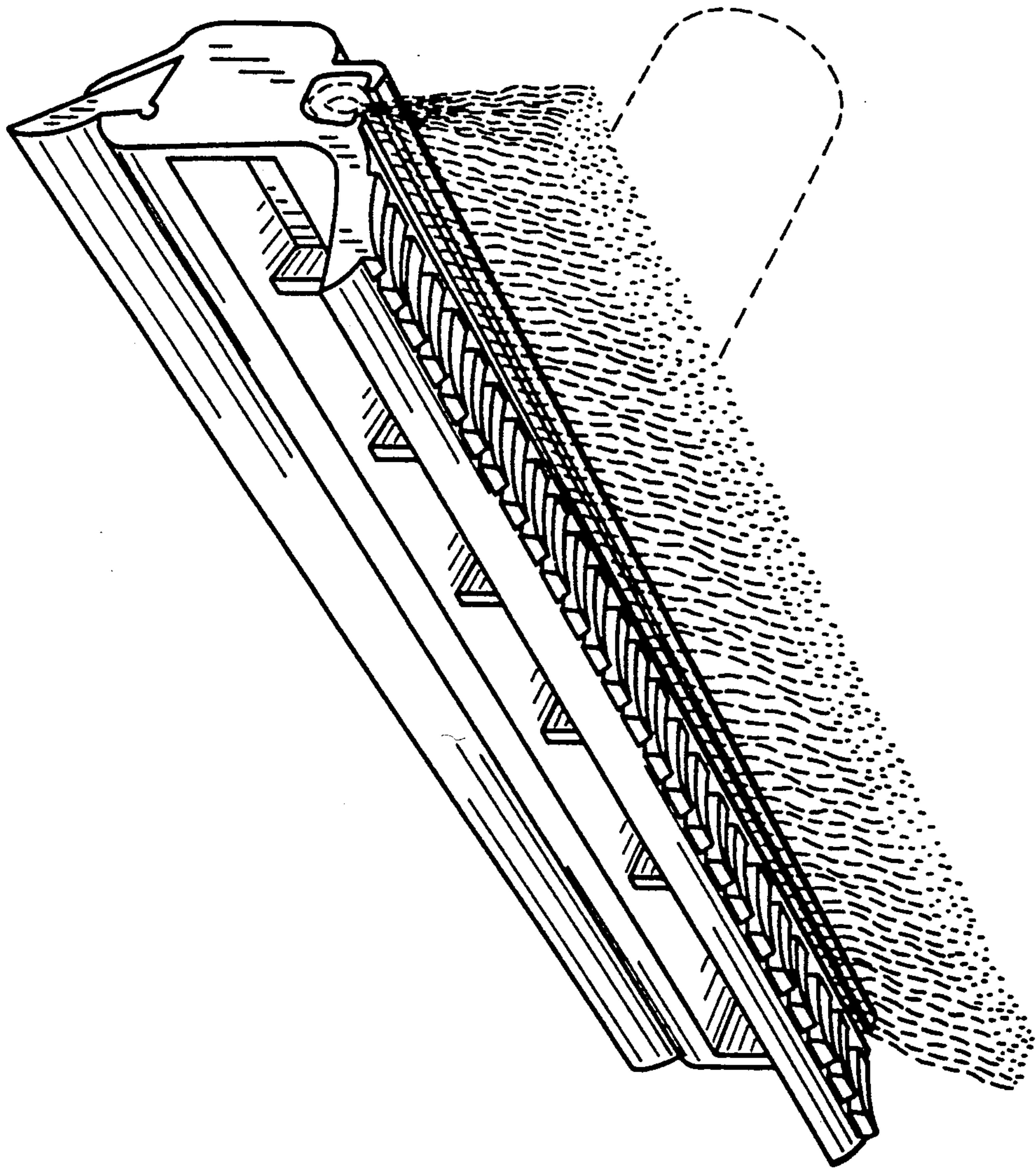


FIG. 3

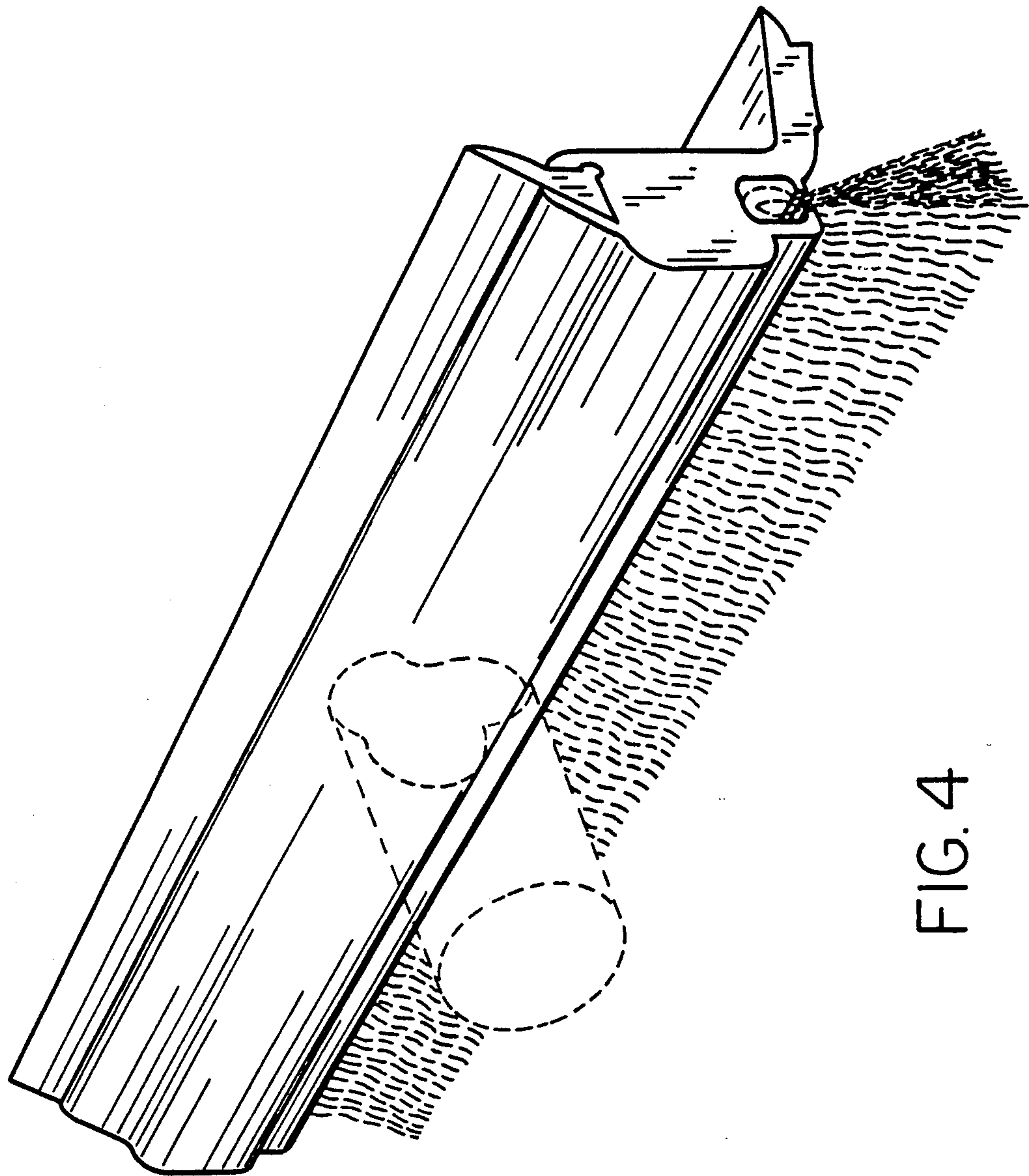


FIG. 4