

United States Patent [19]

Steiner

[11] Patent Number: **Des. 315,974**

[45] Date of Patent: **** Apr. 2, 1991**

[54] **ANIMAL FEEDING TABLE**

[76] Inventor: **Gerald Steiner, 2033 Virginia Ave.
South, St. Louis Park, Minn. 55426**

[**] Term: **14 Years**

[21] Appl. No.: **219,178**

[22] Filed: **Jul. 15, 1988**

[52] U.S. Cl. **D30/131; D7/554;
D6/406**

[58] Field of Search **D30/121, 129-132;
220/20; 43/109; 119/61, 62, 63, 72, 74, 18, 51.5,
57.8, 51.1, 51.12; D6/406; D7/554, 553**

[56] **References Cited**

U.S. PATENT DOCUMENTS

D. 89,262	2/1933	Nunimaker	D30/130
D. 105,450	7/1937	Clifton	D30/130
D. 257,914	1/1981	Wooters	D7/553
D. 258,018	1/1981	Venditto et al.	D30/130
D. 293,767	1/1988	Powers	D9/347

1,831,593	11/1931	Garvey	119/61
2,845,896	8/1958	Copeland	119/51.1
3,180,316	4/1965	Chatfield et al.	119/51.12
3,651,787	3/1972	Cooper	119/51.5
4,335,679	6/1982	Carlin	119/51.5

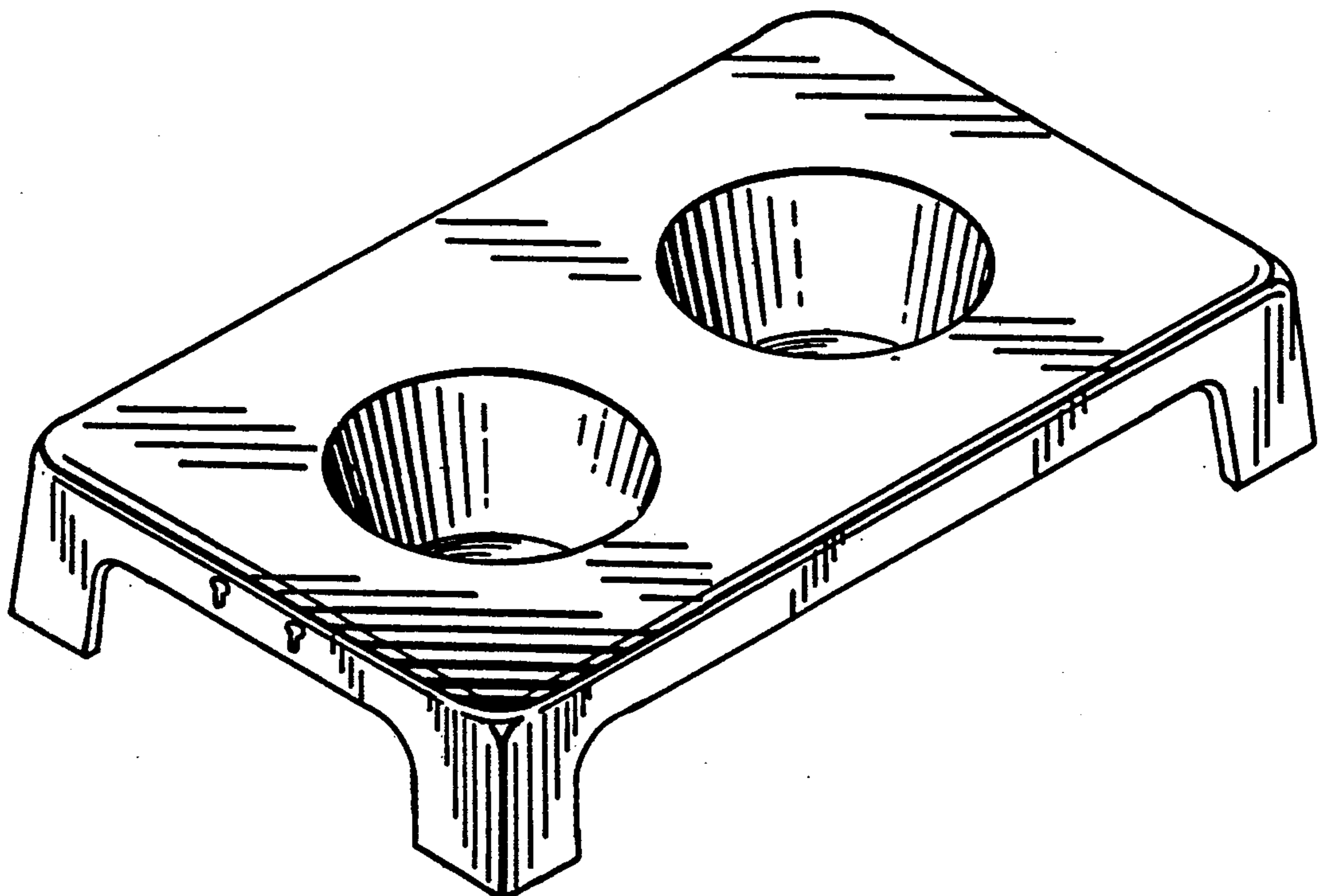
Primary Examiner—James R. Largen
Assistant Examiner—Cathy Anne MacCormac
Attorney, Agent, or Firm—Burd, Bartz & Gutenkauf

[57] **CLAIM**

The ornamental design for an animal feeding table, as shown and described.

DESCRIPTION

FIG. 1 is a top, front and left side perspective view of an animal feeding table showing my new design; FIG. 2 is a front elevational view thereof; FIG. 3 is a rear elevational view thereof; FIG. 4 is a top plan view thereof; FIG. 5 is a left side elevational view thereof, the right side being identical to the left side shown; and FIG. 6 is a bottom plan view thereof.



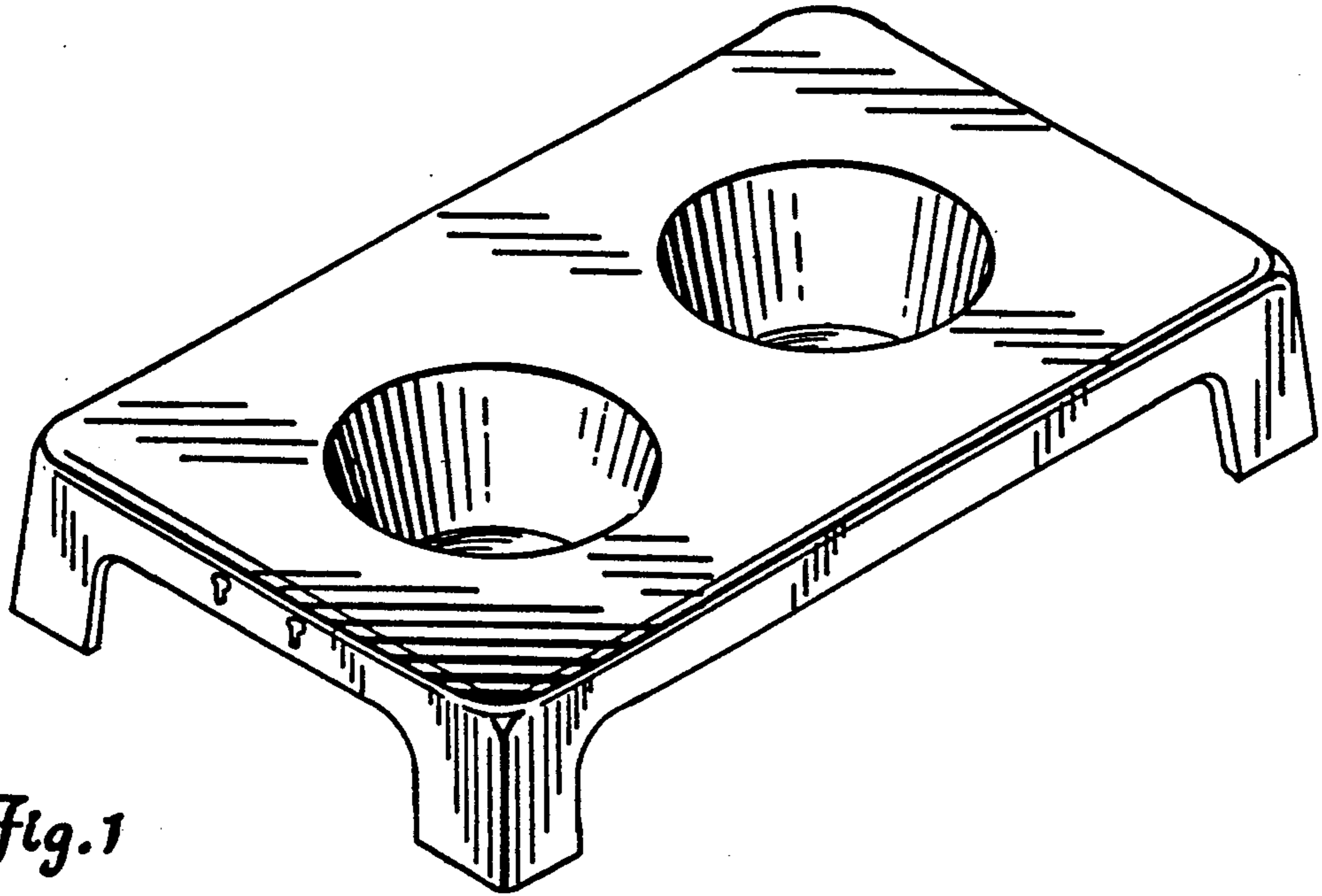


Fig. 1

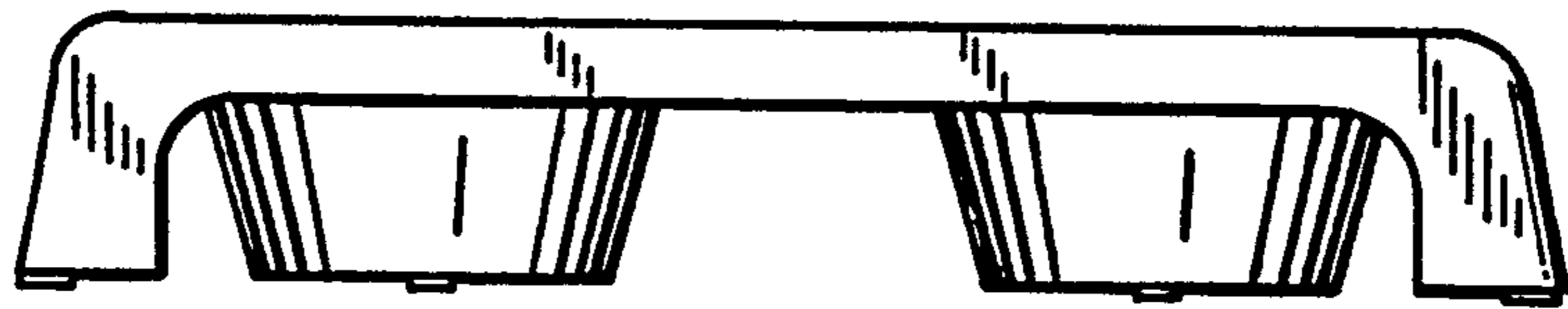


Fig. 2

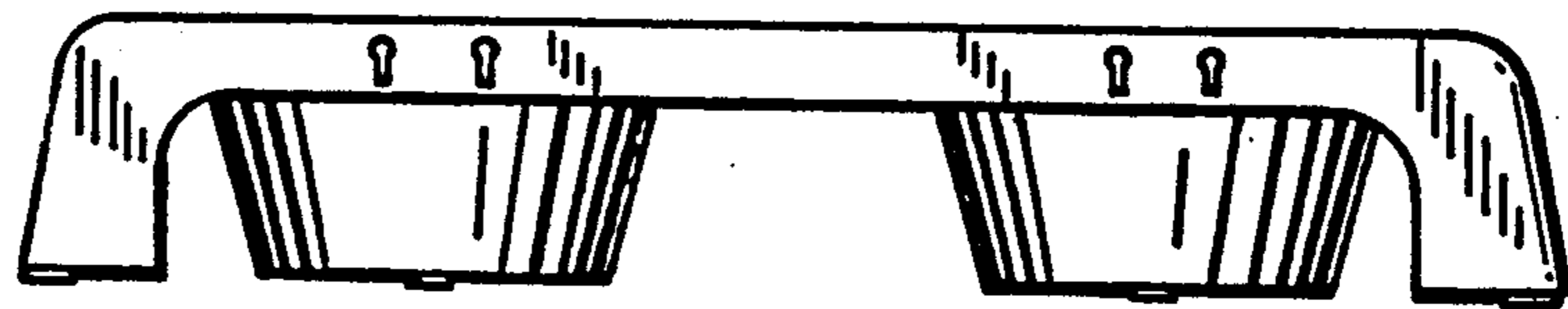


Fig. 3

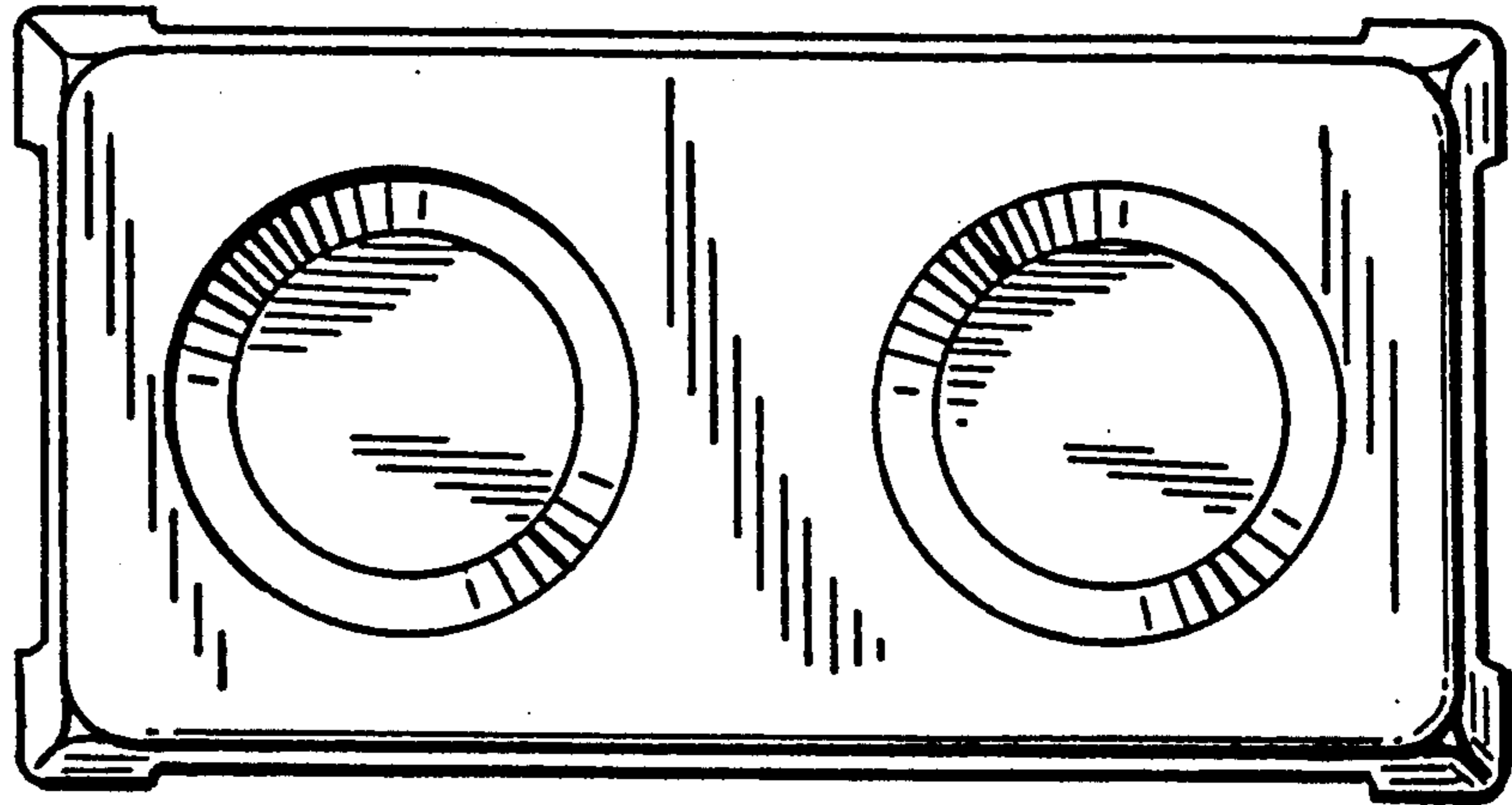


Fig. 4

Fig. 5

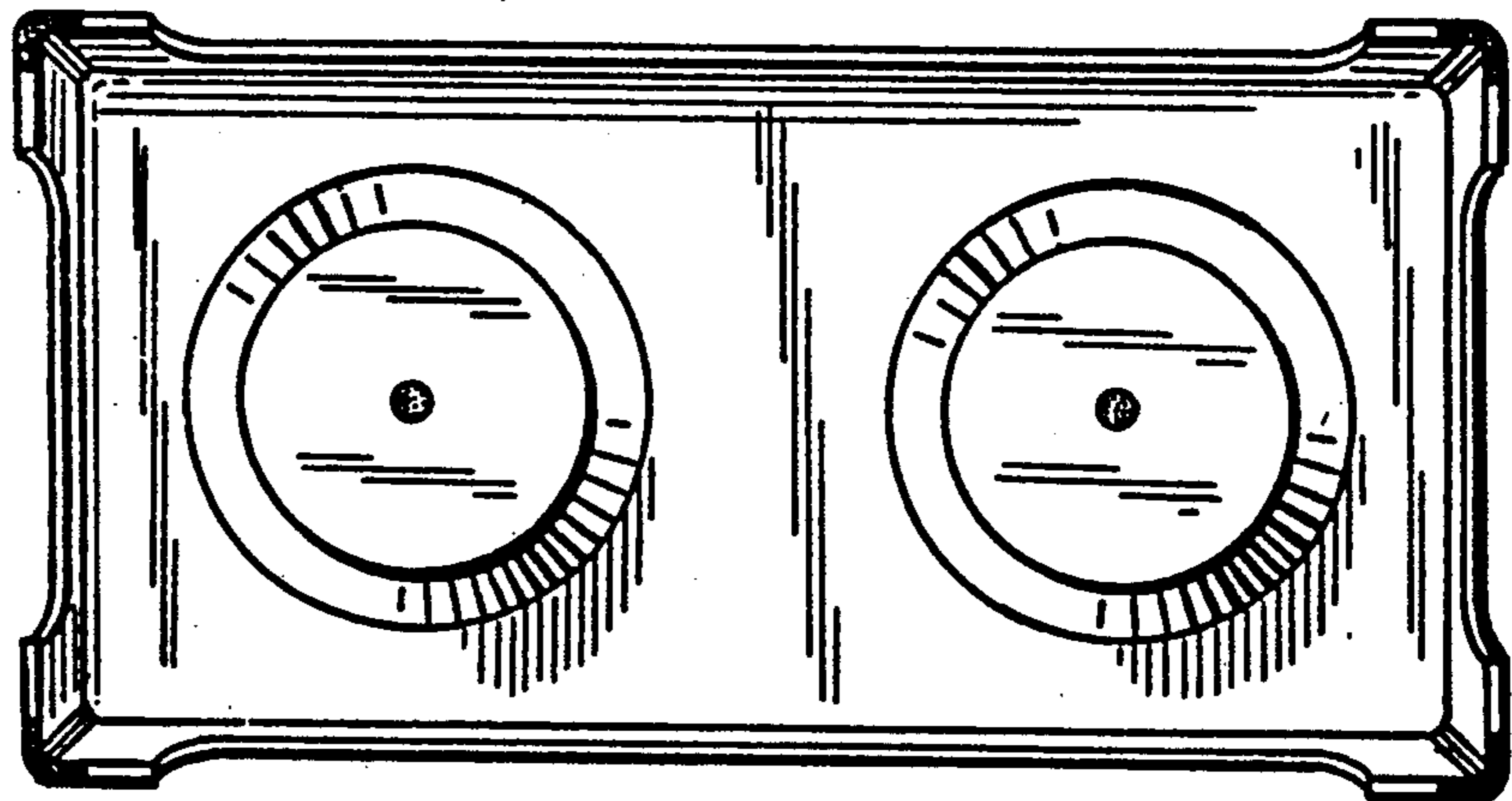
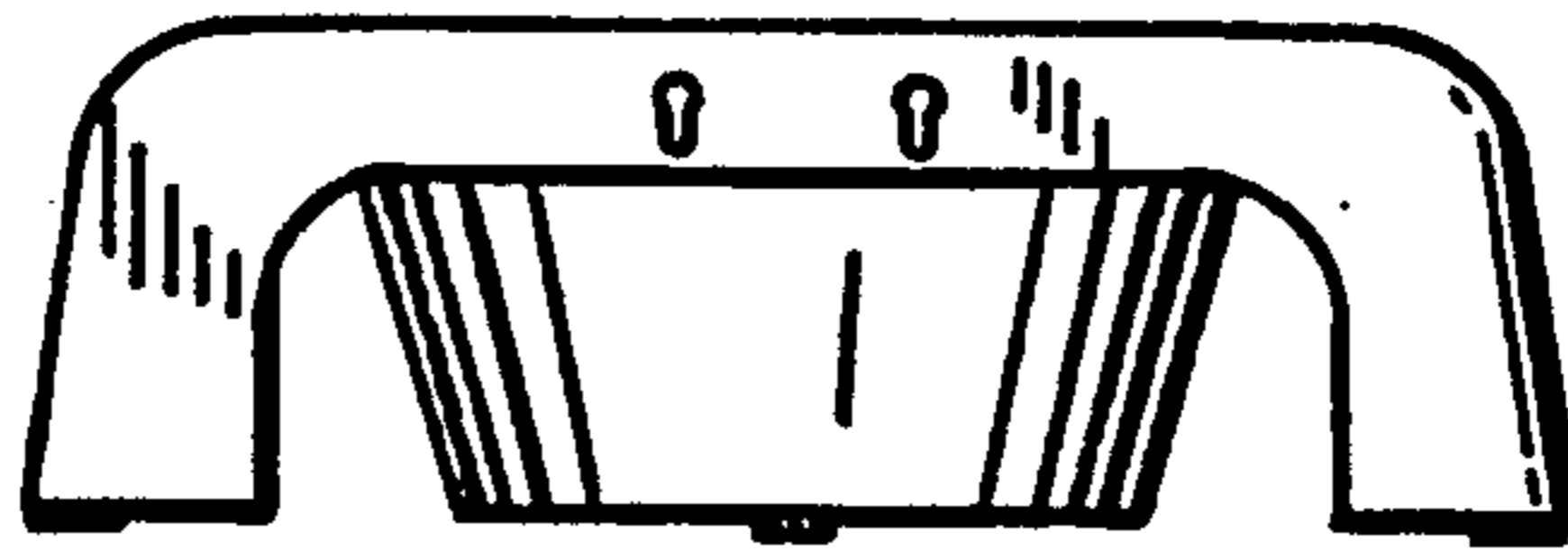


Fig. 6