

United States Patent [19]

Beaudoin et al.

[11] Patent Number: **Des. 315,973**

[45] Date of Patent: **** Apr. 2, 1991**

[54] **AUTOMATIC CATTLE FEEDER**

[75] Inventors: **Gaetan Beaudoin, Artabaska; Jacques Cimon, Levis, both of Canada**

[73] Assignee: **Micro-Contact Inc., Quebec, Canada**

[**] Term: **14 Years**

[21] Appl. No.: **331,546**

[22] Filed: **Mar. 31, 1989**

[52] U.S. Cl. **D30/122**

[58] Field of Search **119/51.01, 51.2, 51.4, 119/53, 51.5, 52.1, 57.1, 72, 74, 57.92, 57.5, 56.2, 57.6; D30/121, 131, 132, 133, 122**

[56] **References Cited**

U.S. PATENT DOCUMENTS

D. 179,107	11/1956	Adams	D30/131
D. 184,222	1/1959	Friedman	D30/131
D. 203,812	2/1966	Husselman et al.	D30/131
D. 209,753	1/1968	Ott	D30/131
D. 257,794	1/1981	Gunnarsson	D30/122
D. 286,455	10/1986	Pitzen	D30/122
D. 296,942	7/1988	Keeter	D30/121
2,698,600	1/1955	Murren	119/56.2

3,083,057	3/1963	Kiser et al.	119/57
3,266,462	8/1966	Fulton, Jr. et al.	119/57.6
4,027,806	7/1977	Weihmuller	119/57.6

FOREIGN PATENT DOCUMENTS

3236121	3/1984	Fed. Rep. of Germany	119/57.6
169935	3/1965	U.S.S.R.	119/51.01
0609521	1/1978	U.S.S.R.	119/57.6
1219023	3/1986	U.S.S.R.	119/57.92
2155301	9/1985	United Kingdom	119/57.6

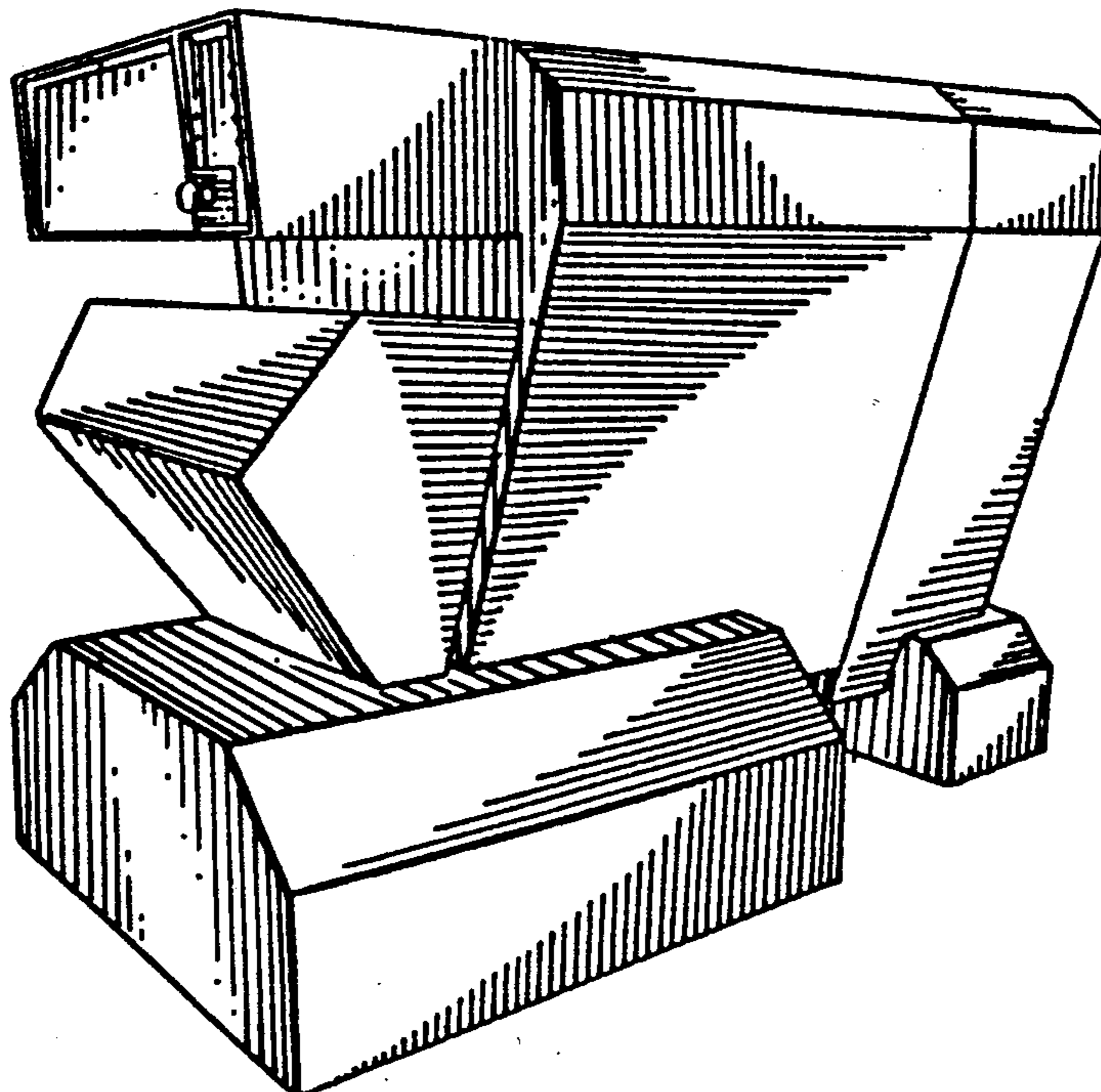
Primary Examiner—James R. Largen
Assistant Examiner—Cathy Anne MacCornac
Attorney, Agent, or Firm—Foley & Lardner

[57] **CLAIM**

The ornamental design for an automatic cattle feeder, as shown and described.

DESCRIPTION

FIG. 1 is a front and right side perspective view of an automatic cattle feeder showing our new design; FIG. 2 is a right side elevational view thereof; FIG. 3 is a top plan view thereof; FIG. 4 is a rear elevational view thereof; and FIG. 5 is a front elevational view thereof.



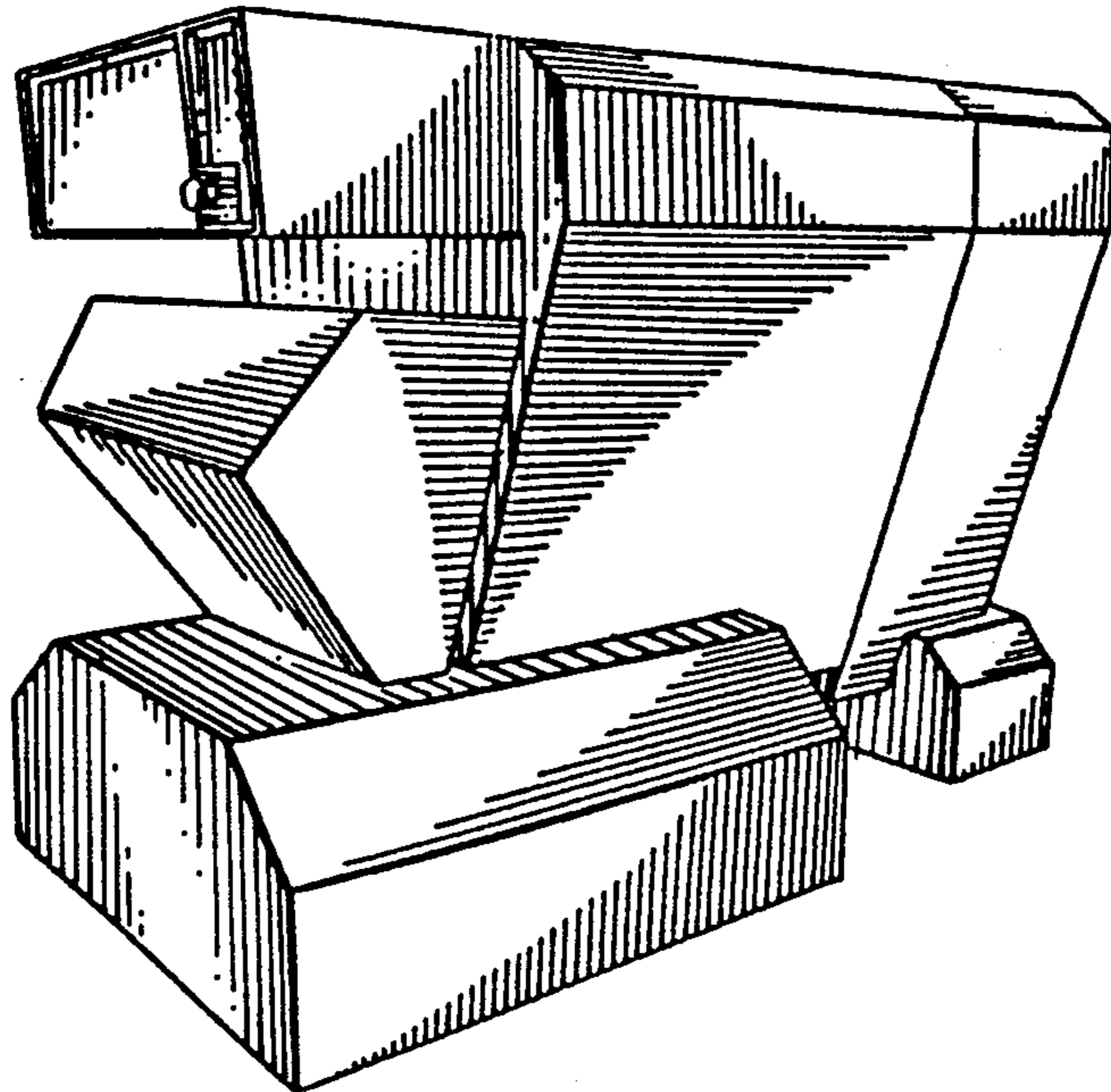


FIG. 1

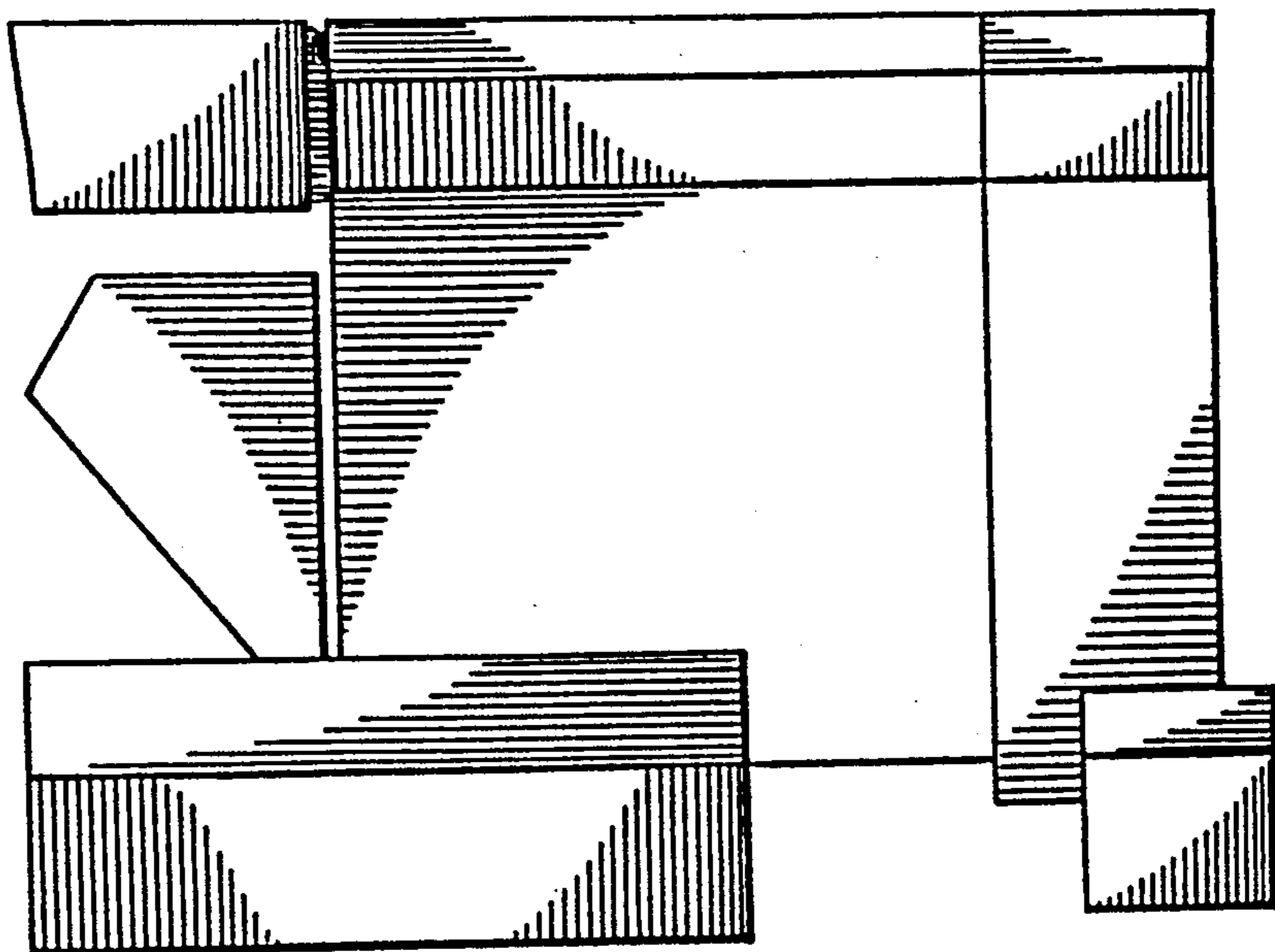


FIG. 2

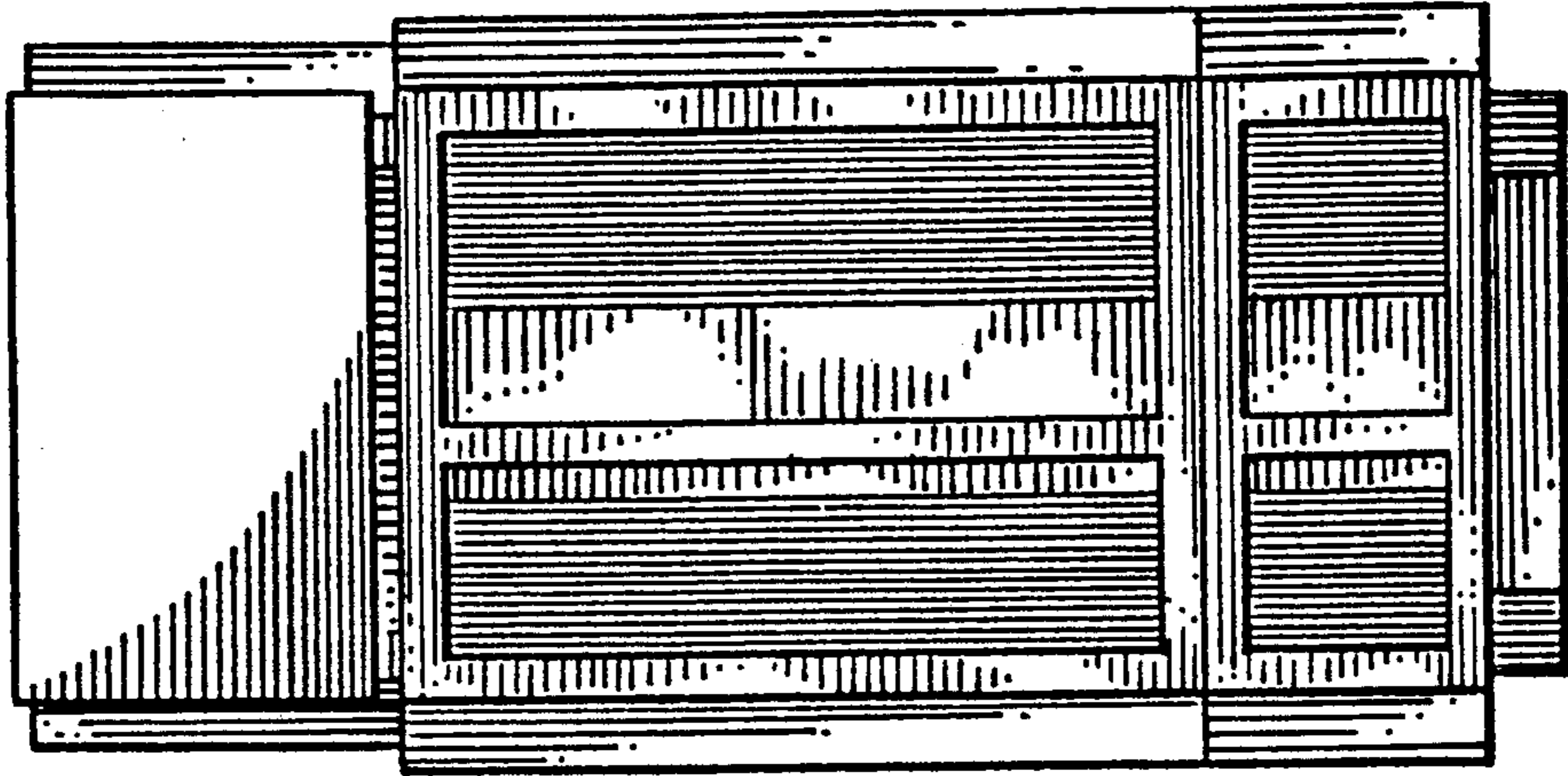


FIG. 3

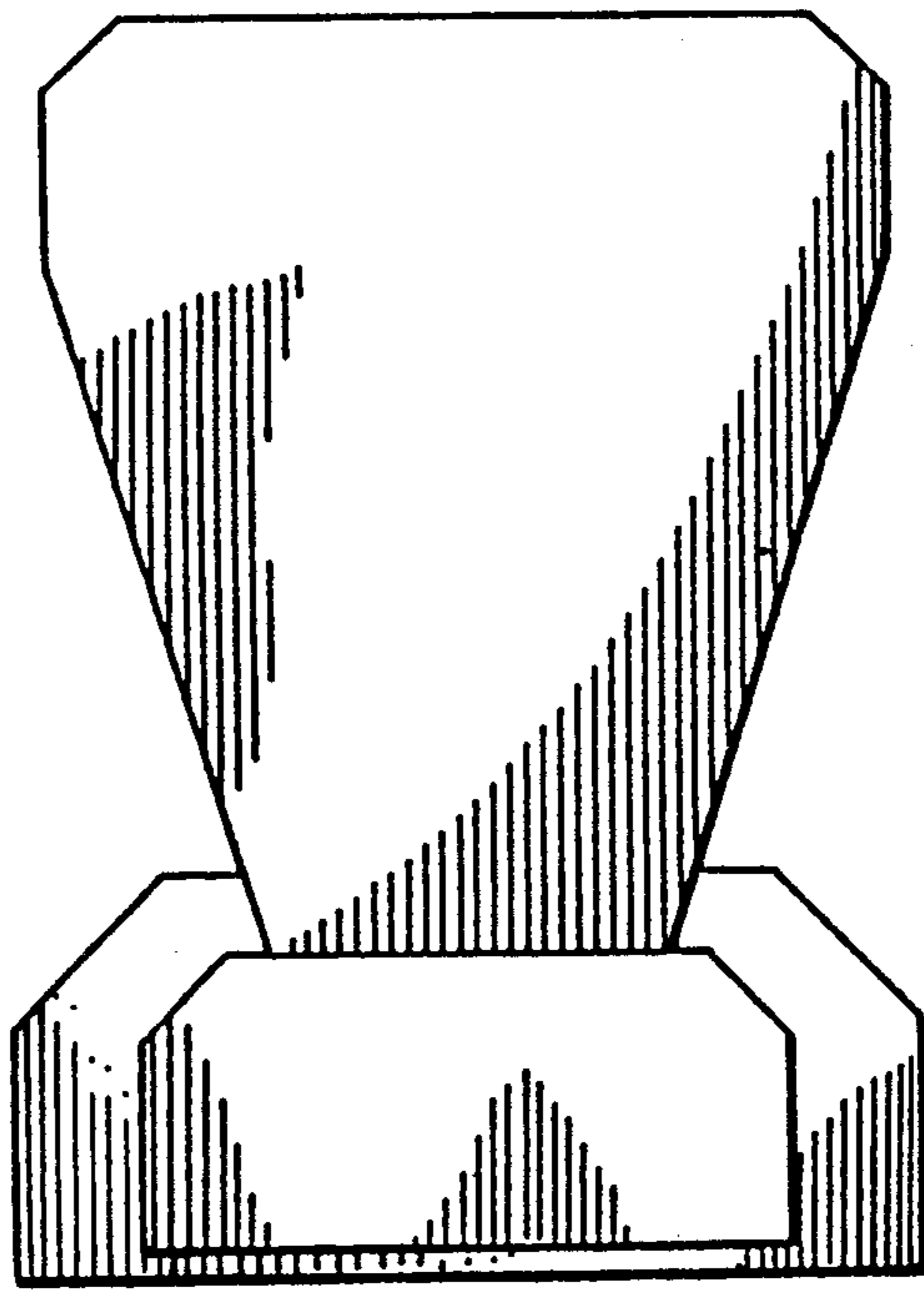


FIG. 4

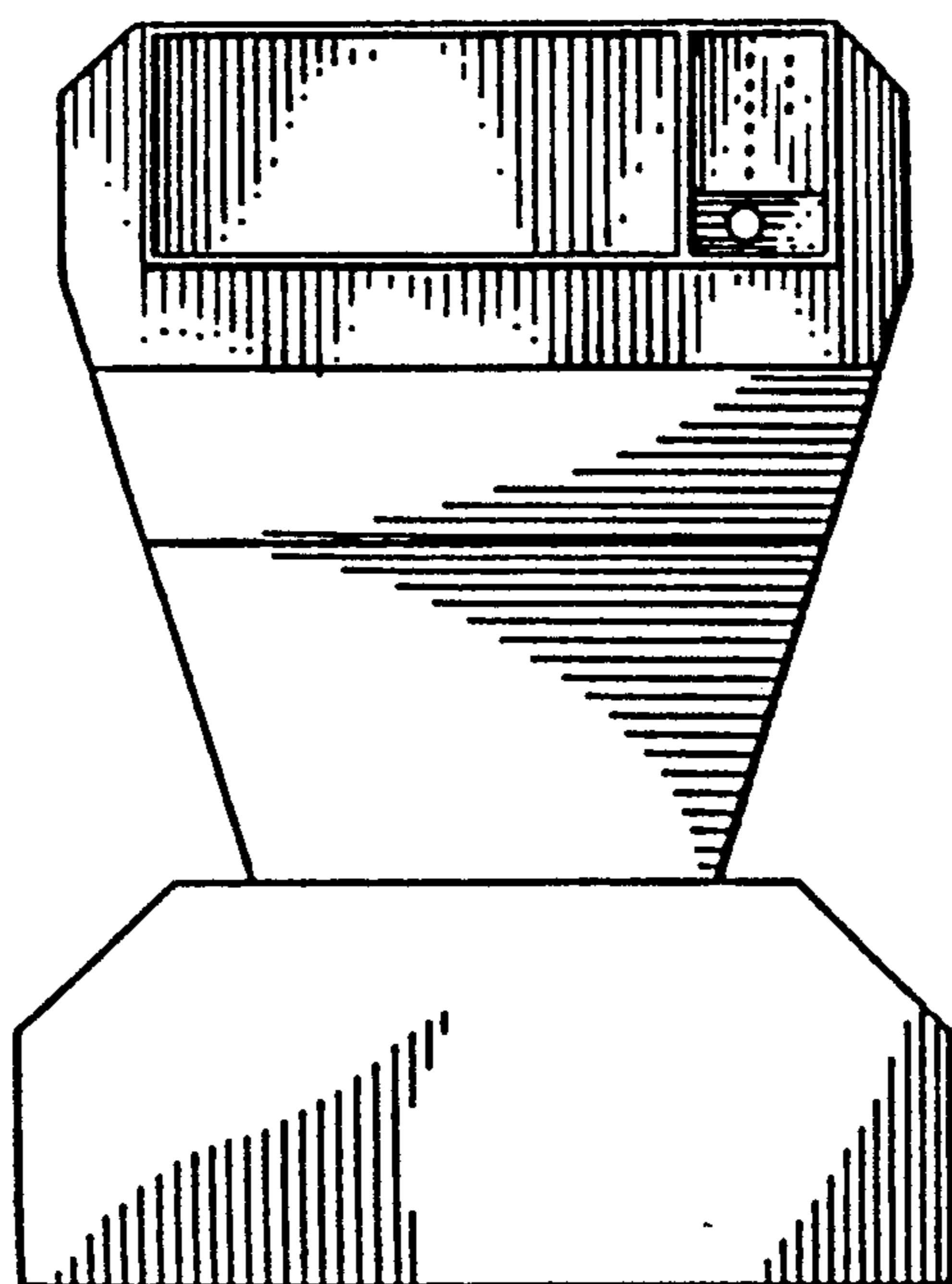


FIG. 5
