

United States Patent [19]

Forman

[11] Patent Number: **Des. 315,972**

[45] Date of Patent: **** Apr. 2, 1991**

[54] **SNORKEL**

[76] Inventor: **Bruce J. Forman, 4455 Jasmine Ave.,
Culver City, Calif. 90230**

[**] Term: **14 Years**

[21] Appl. No.: **245,538**

[22] Filed: **Sep. 19, 1988**

[52] U.S. Cl. **D29/7; D21/236**

[58] Field of Search **D29/7, 6; 128/201.11,
128/201.15, 201.16, 201.27, 202.14**

[56] **References Cited**

U.S. PATENT DOCUMENTS

2,815,751 12/1957 Ferraro 128/201.11
4,782,830 11/1988 Forman 128/201.11

*Primary Examiner—Kay H. Chin
Attorney, Agent, or Firm—Robert J. Schaap*

[57] **CLAIM**

The ornamental design for a snorkel, as shown and described.

DESCRIPTION

FIG. 1 is a top and front perspective view of a snorkel showing my new design;

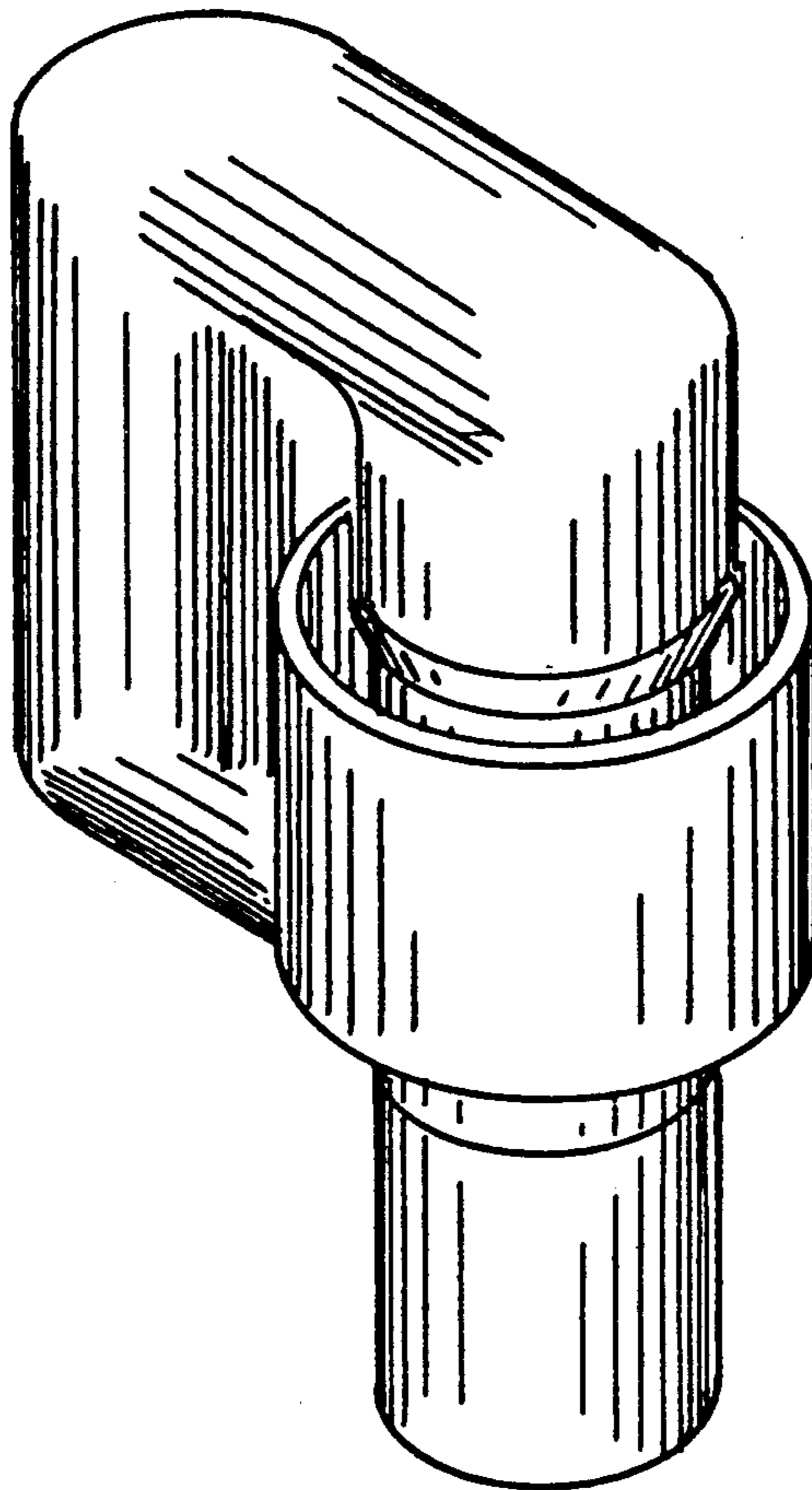
FIG. 2 is a front elevational view thereof, the rear elevational view being a mirror image of that shown;

FIG. 3 is a top plan view thereof;

FIG. 4 is a bottom plan view thereof;

FIG. 5 is a right side elevational view thereof; and

FIG. 6 is a left side elevational view thereof.



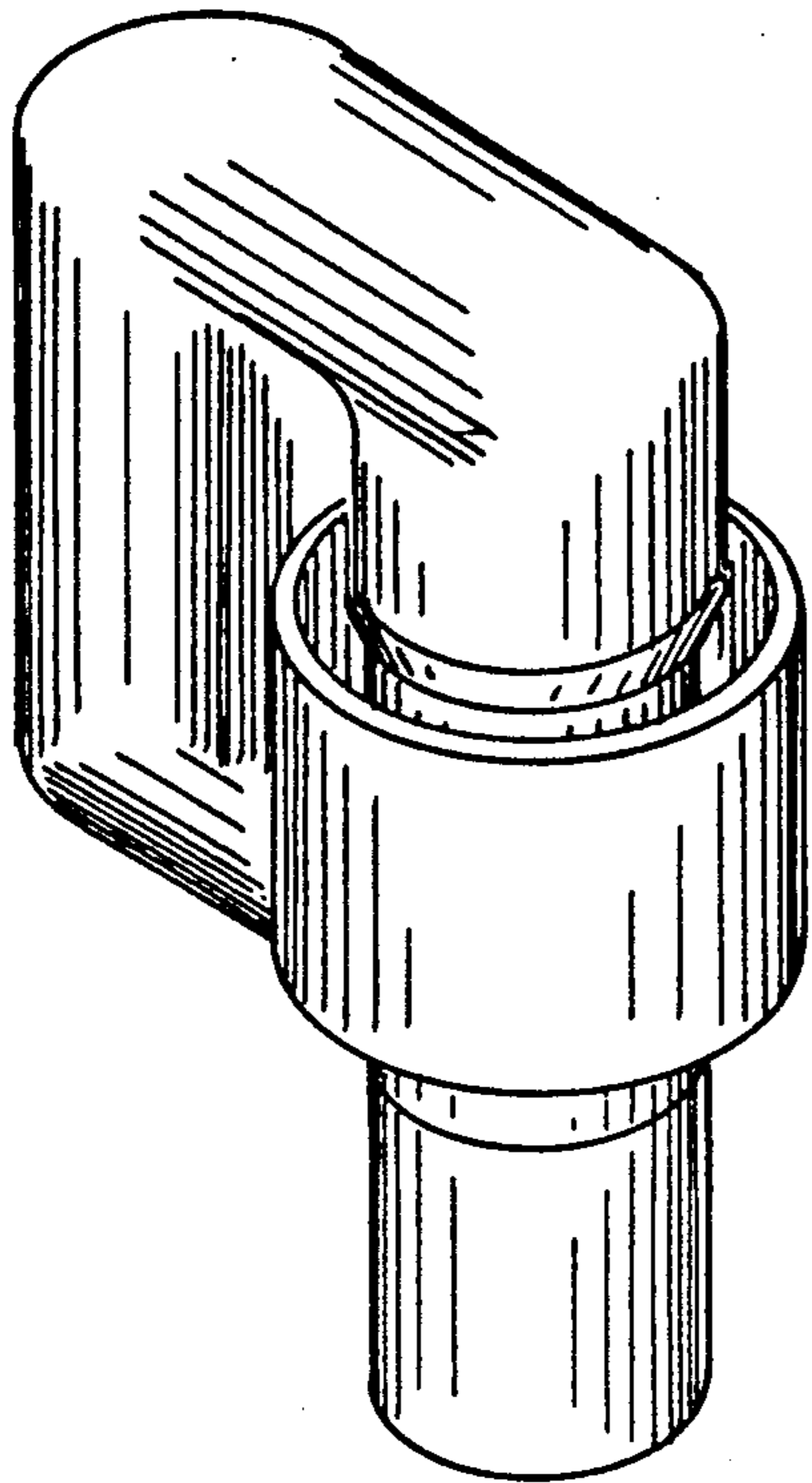


FIG. 1

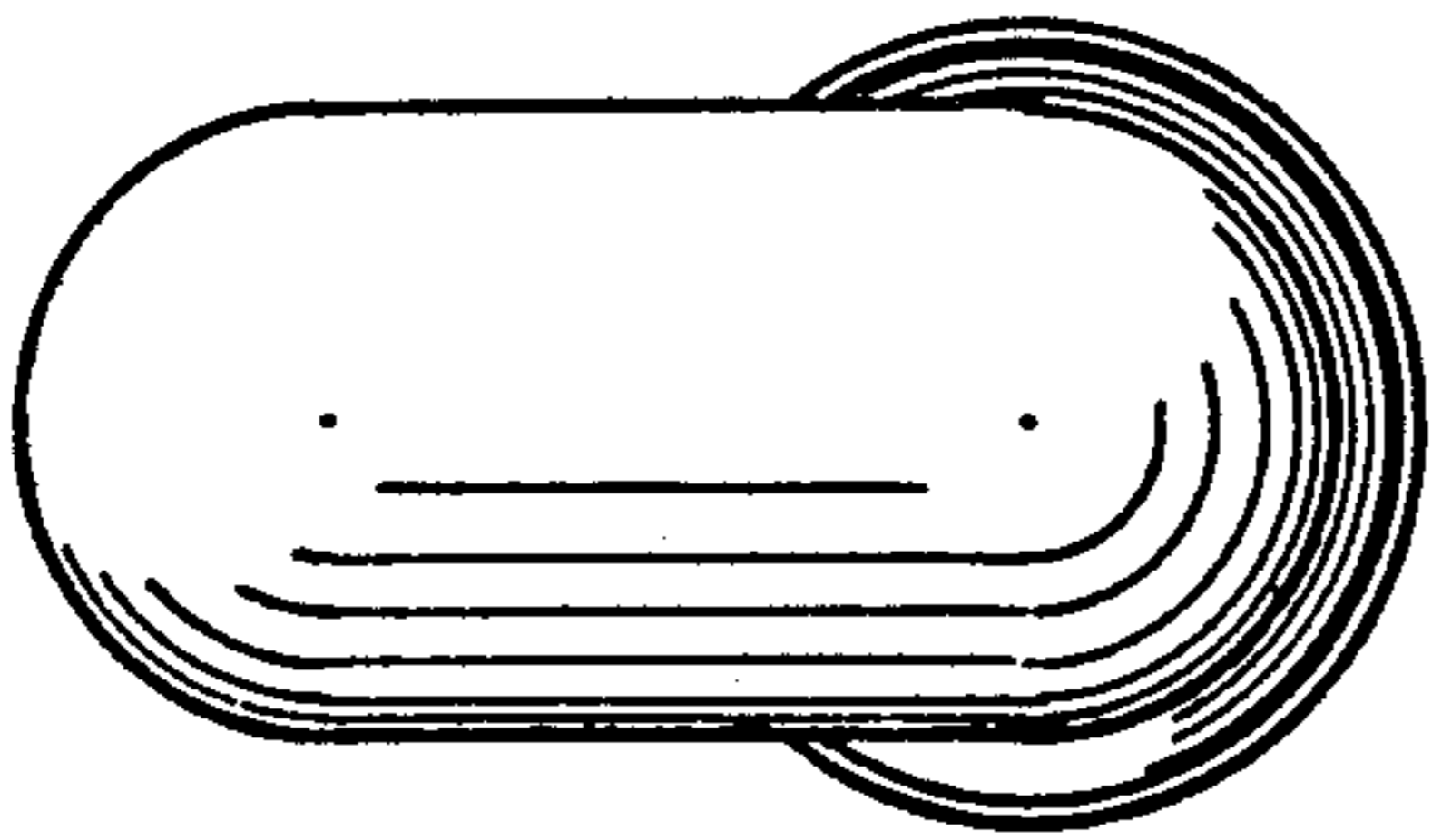


FIG. 3

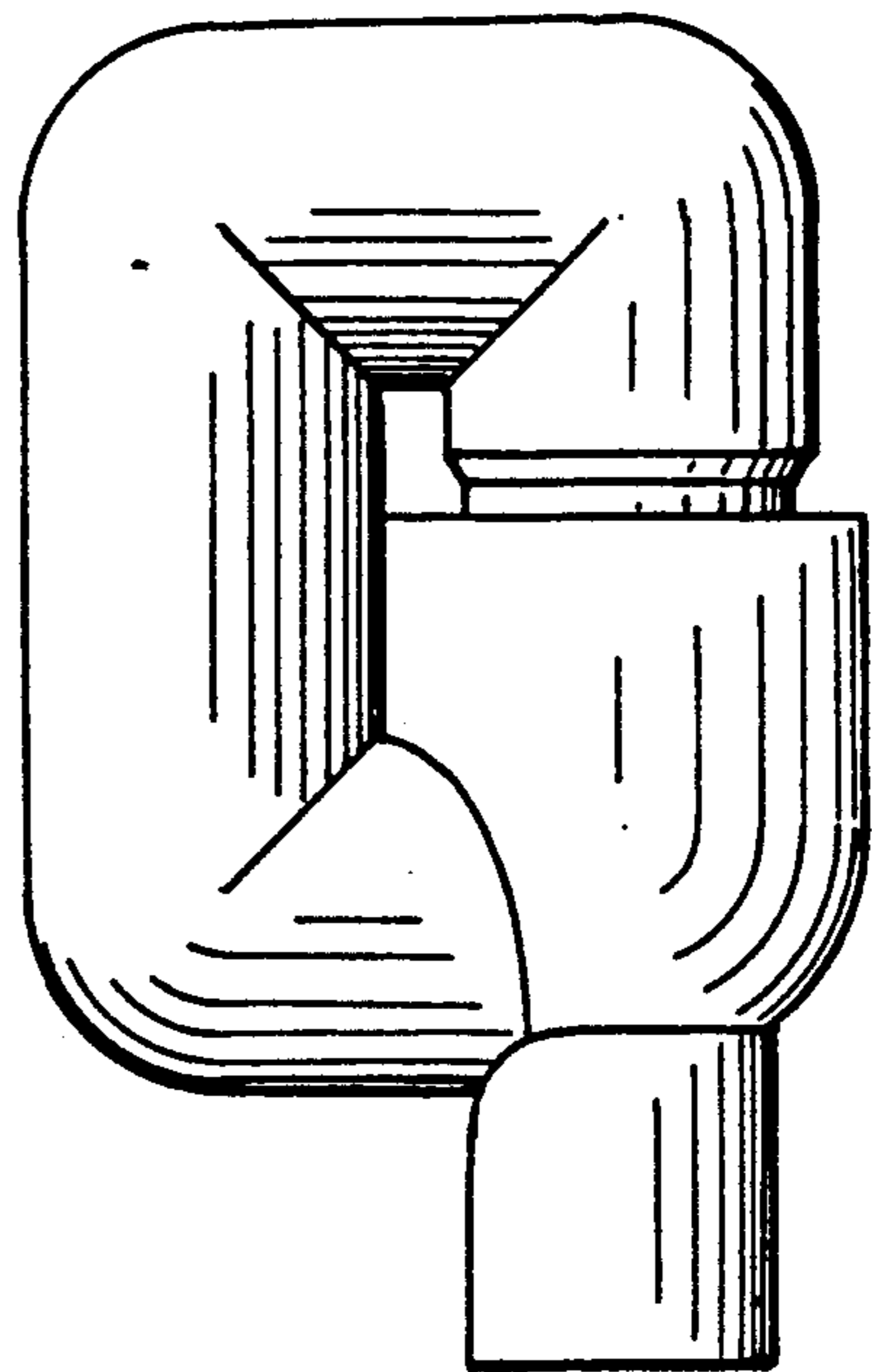


FIG. 2

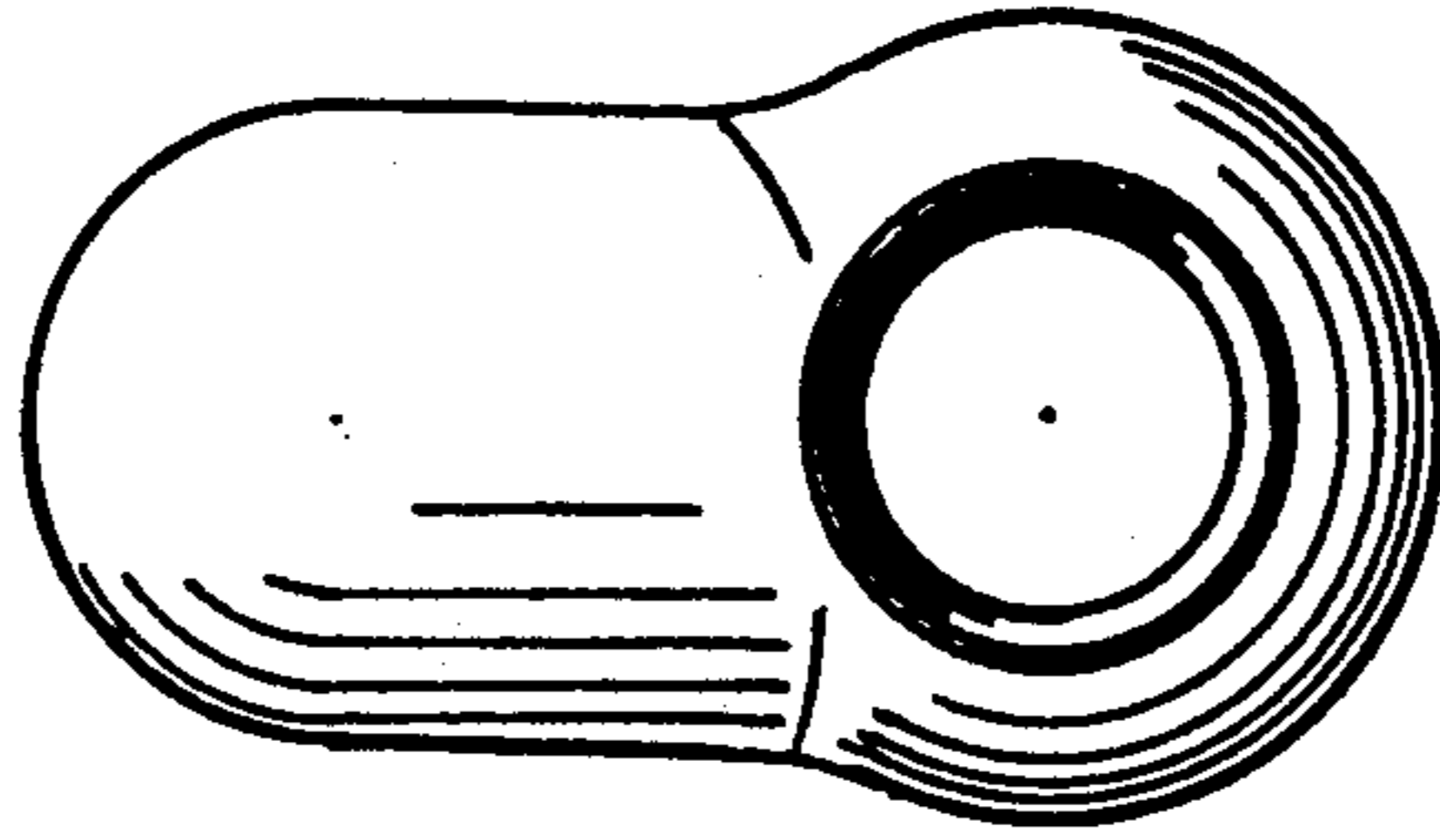


FIG. 4

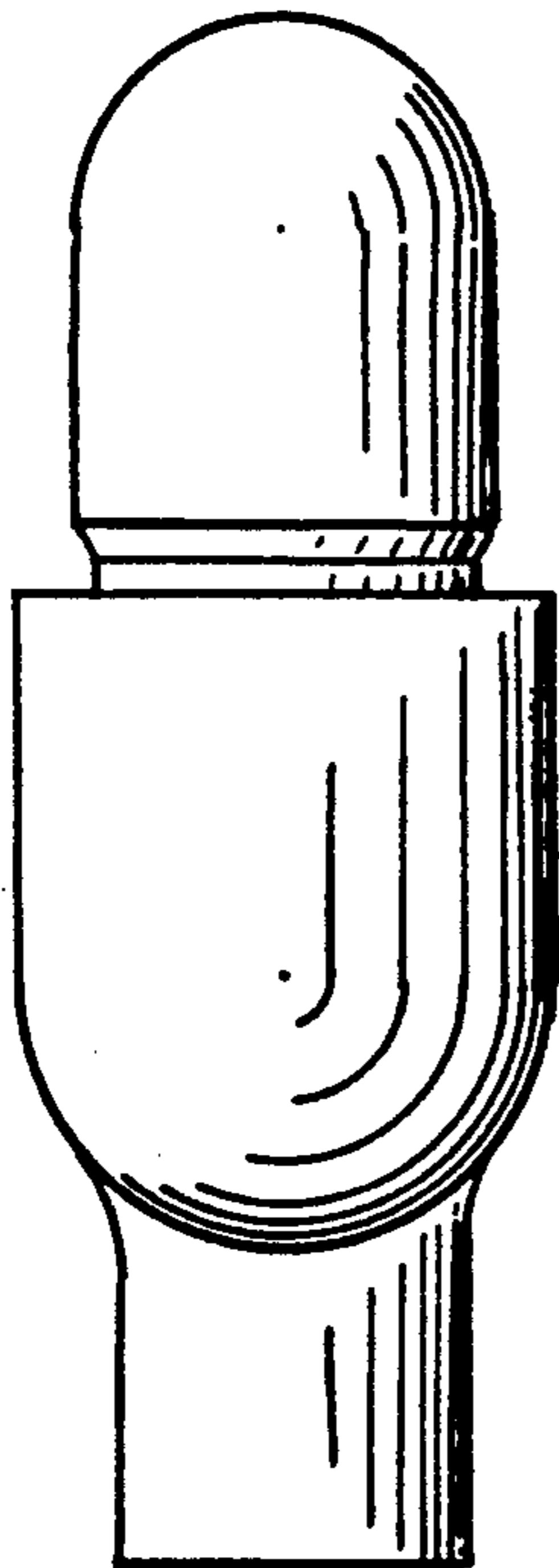


FIG. 5

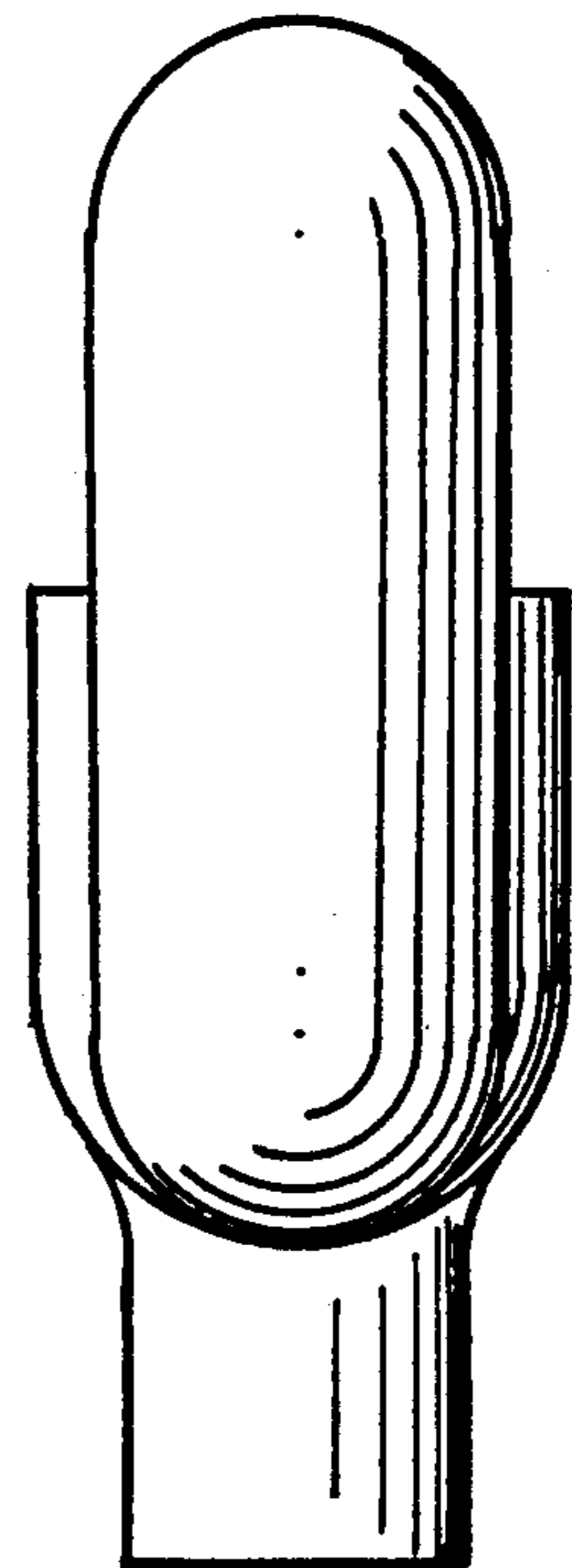


FIG. 6