

[54] FIRE EXTINGUISHER

4,079,786 3/1978 Moling 169/16

[76] Inventors: Aniano D. Ramos, 38 Passaic Rd.,
Goose Creek, S.C. 29445; Wilhelm
Gajeton, 5301 Marilyn Dr.,
Charleston, S.C. 29418

Primary Examiner—Kay H. Chin
Attorney, Agent, or Firm—Jerry T. Kearns

[**] Term: 14 Years

[57] CLAIM

The ornamental design for a fire extinguisher, as shown
and described.

[21] Appl. No.: 211,397

[22] Filed: Jun. 22, 1988

[52] U.S. Cl. D29/2

[58] Field of Search D29/1-5;
169/16, 37, 41

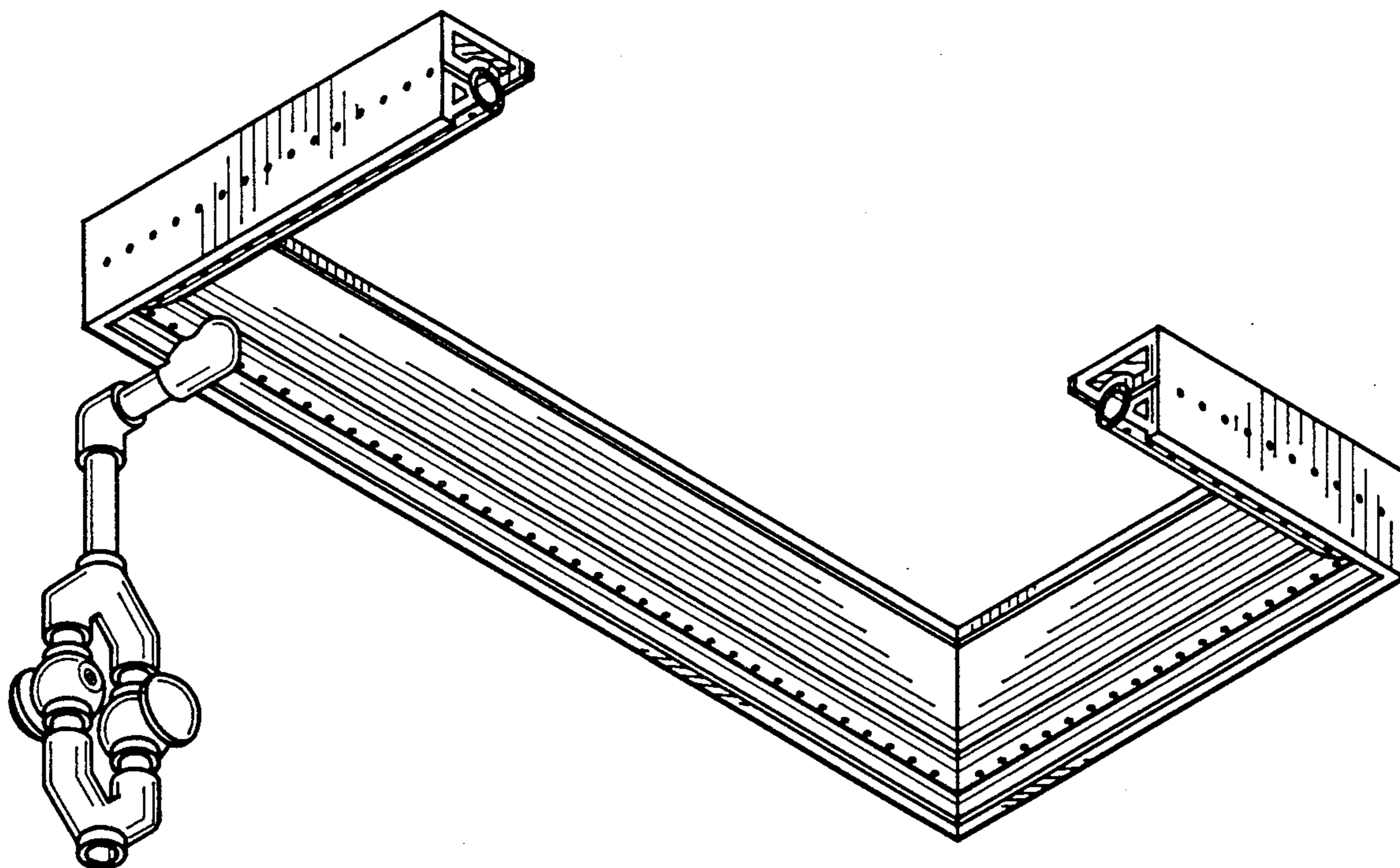
DESCRIPTION

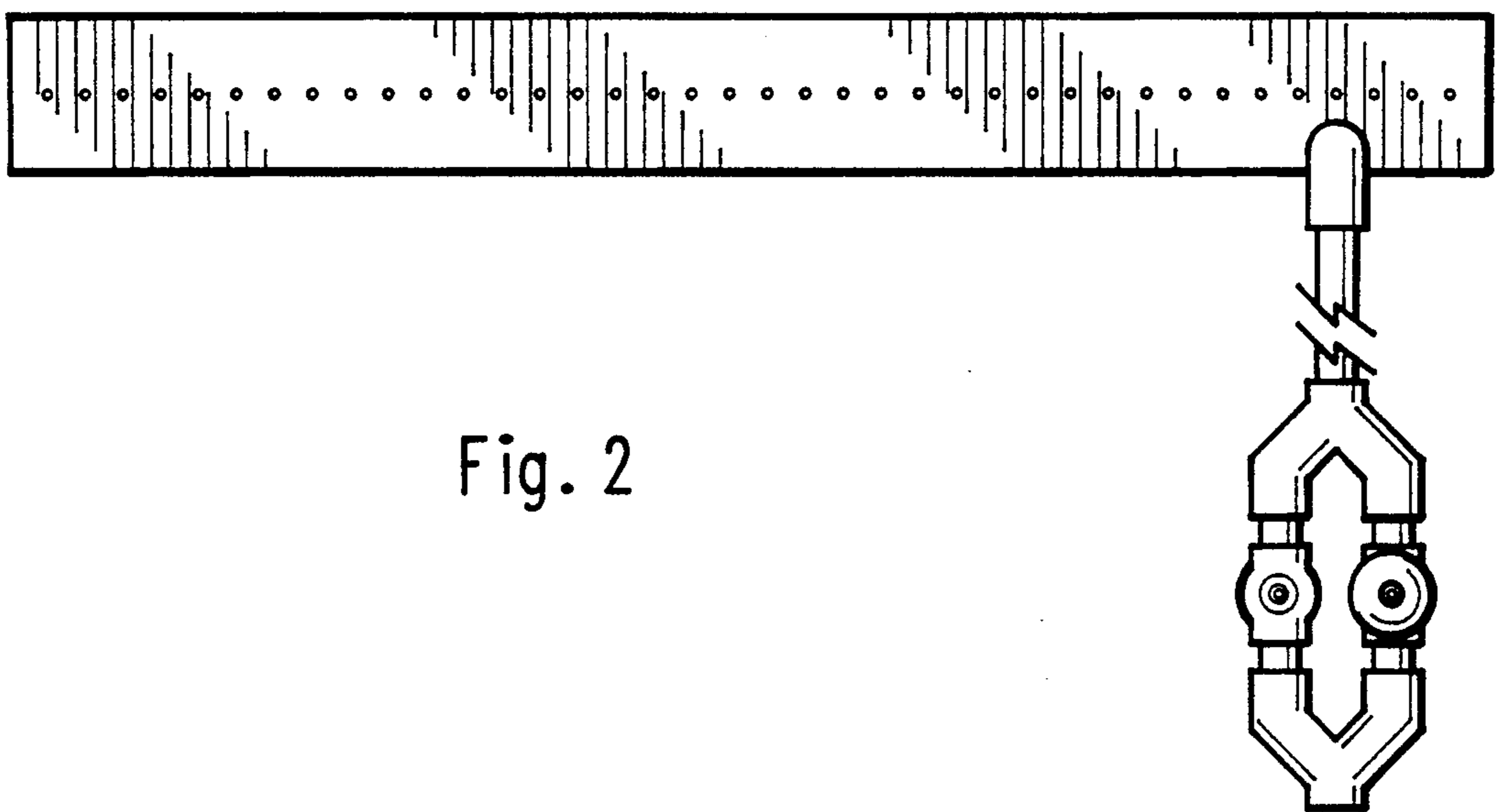
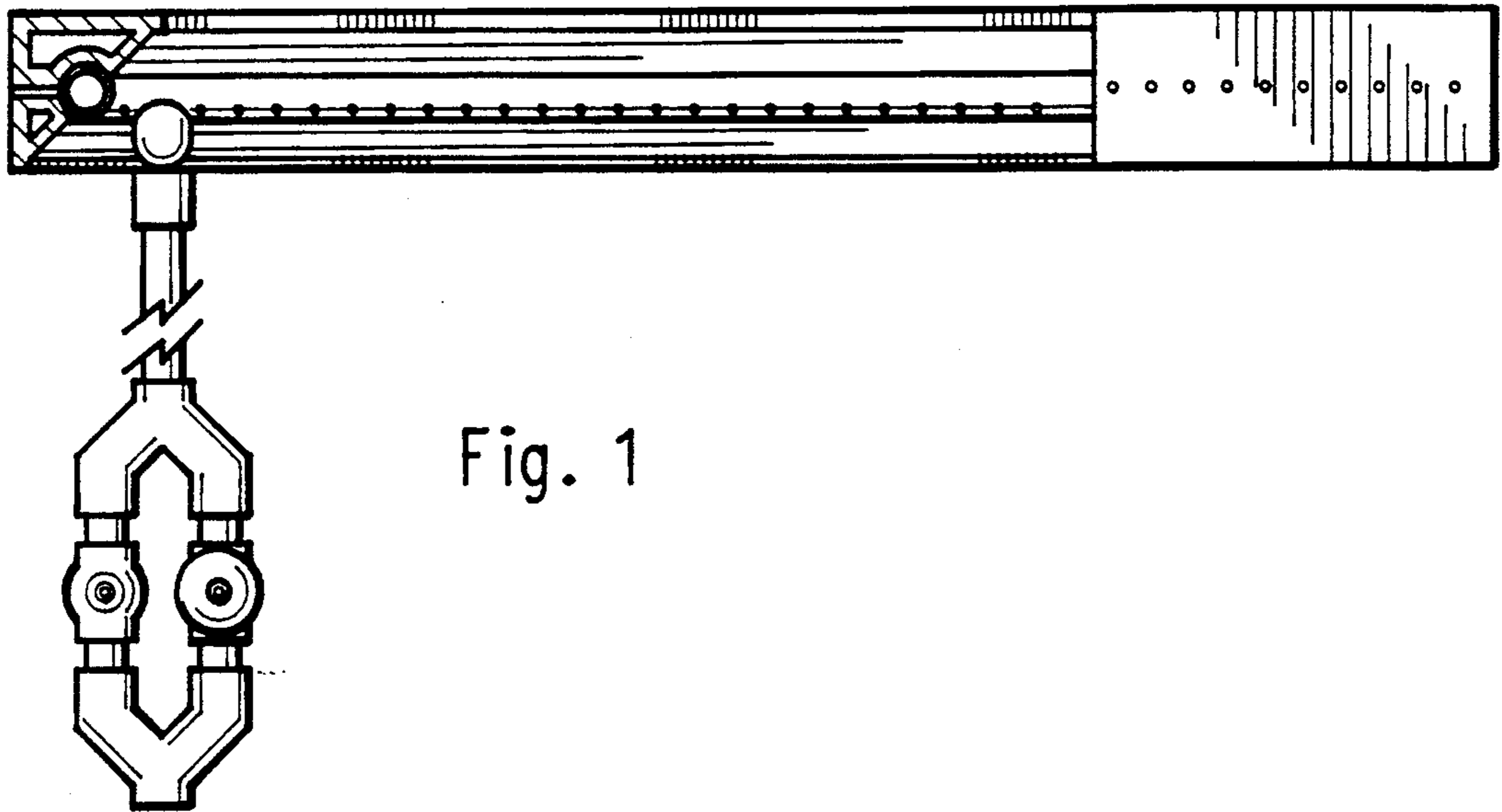
FIG. 1 is a front elevational view of a fire extinguisher
showing our new design;
FIG. 2 is a rear elevational view thereof;
FIG. 3 is a left side elevational view thereof;
FIG. 4 is a right side elevational view thereof;
FIG. 5 is a top plan view thereof;
FIG. 6 is a bottom plan view thereof; and,
FIG. 7 is a bottom perspective view thereof.
A portion of the pipe in FIGS. 1, 2, 3, and 4 is shown
broken away for convenience of illustration.

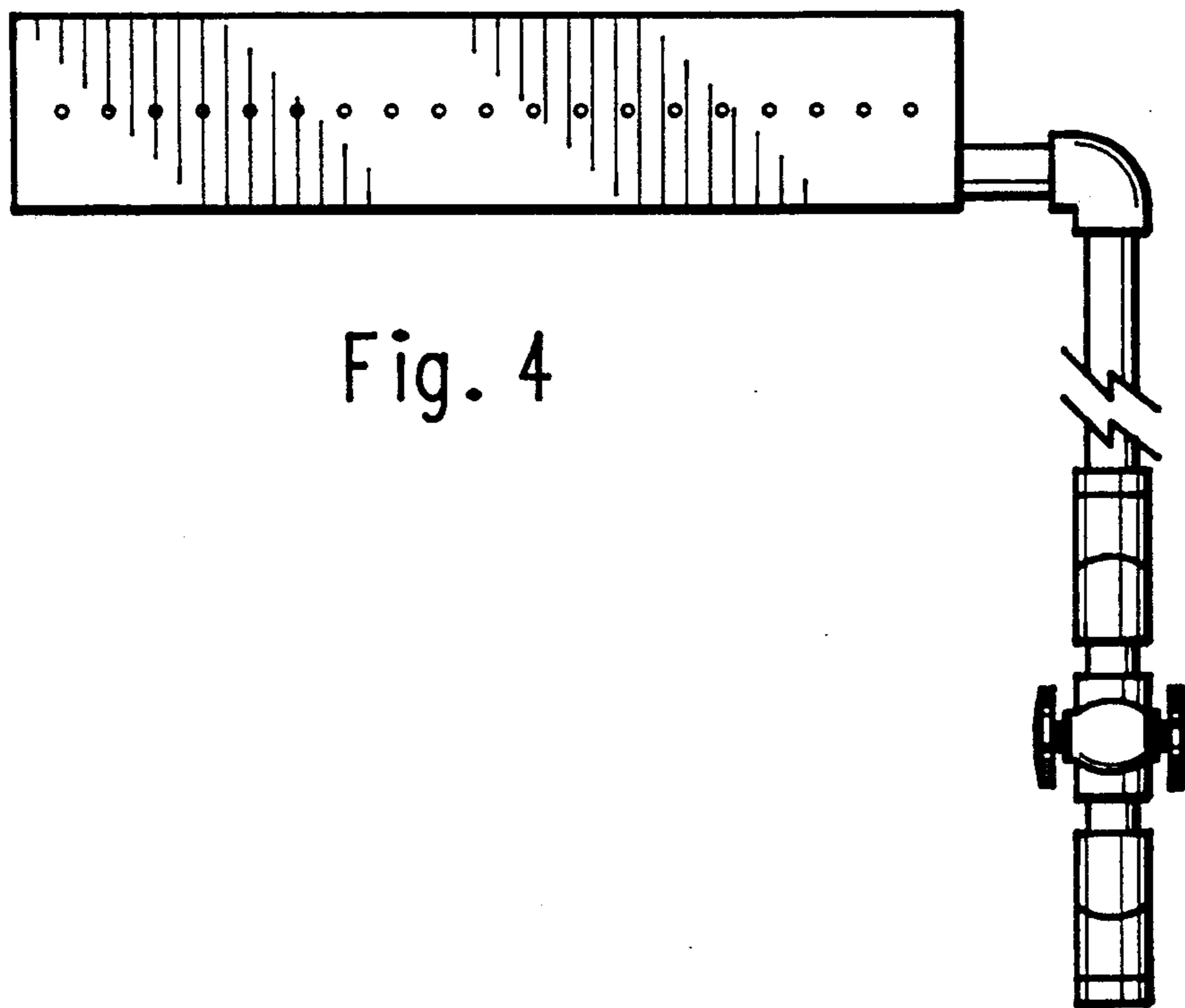
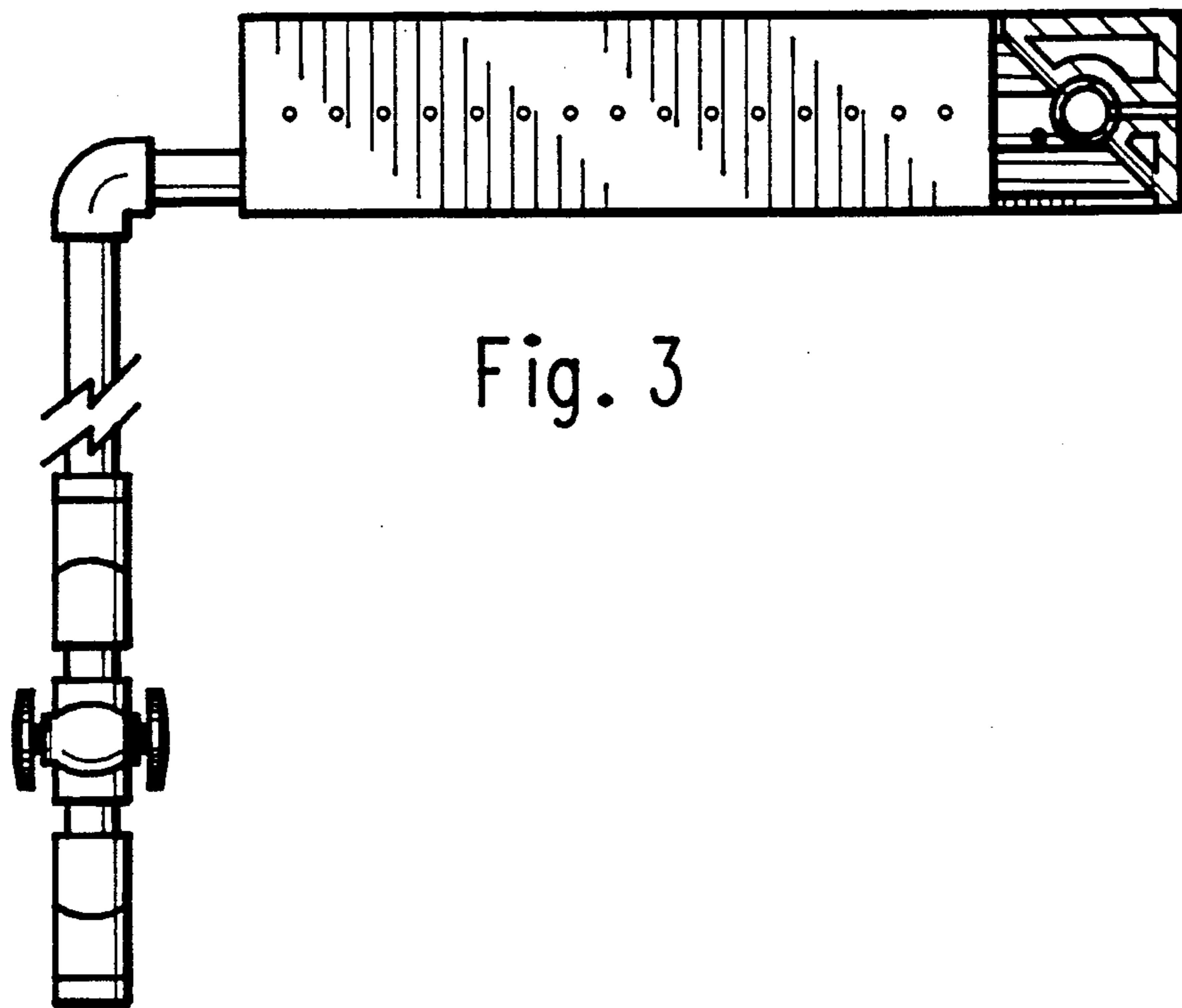
[56] References Cited

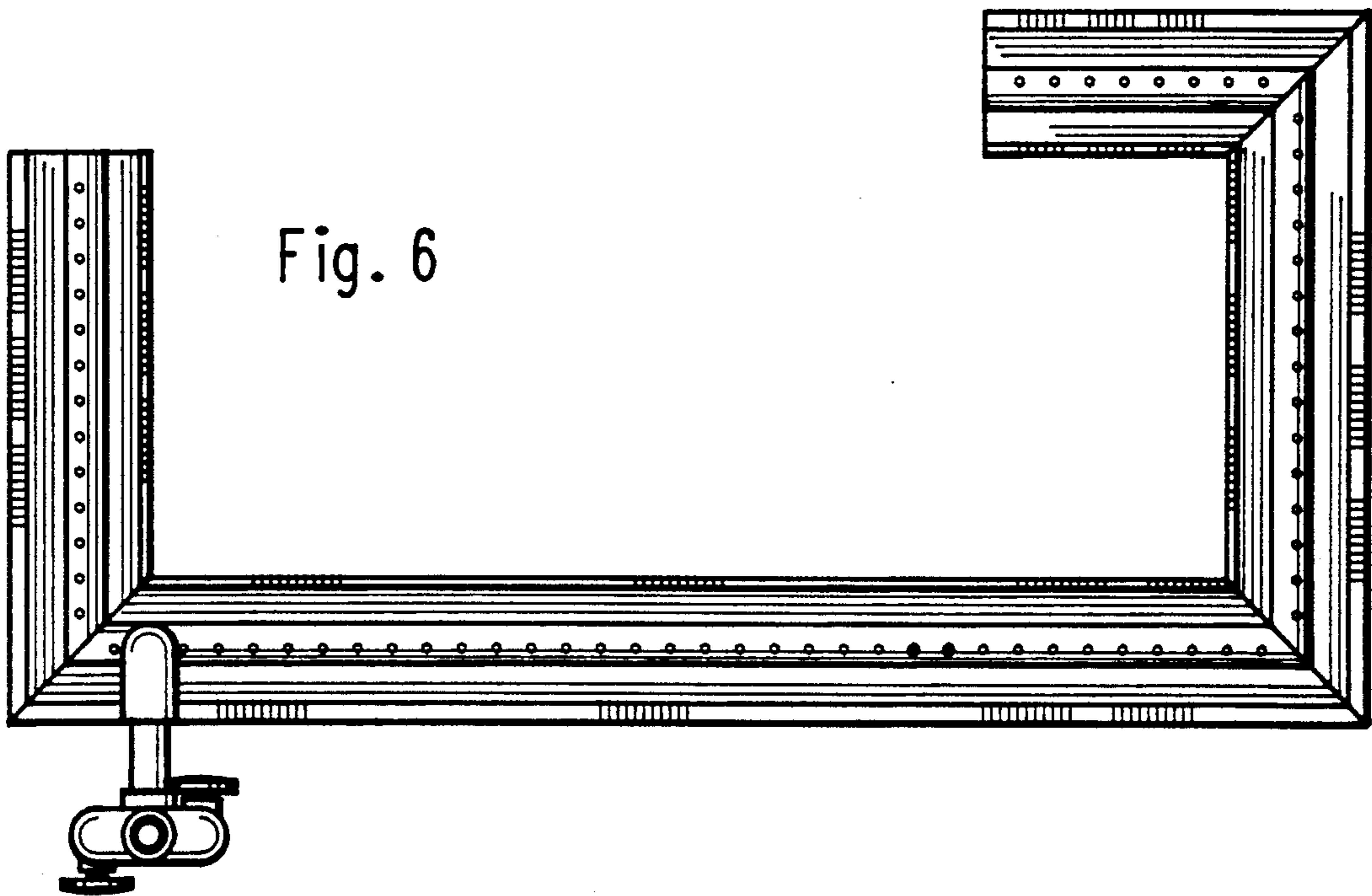
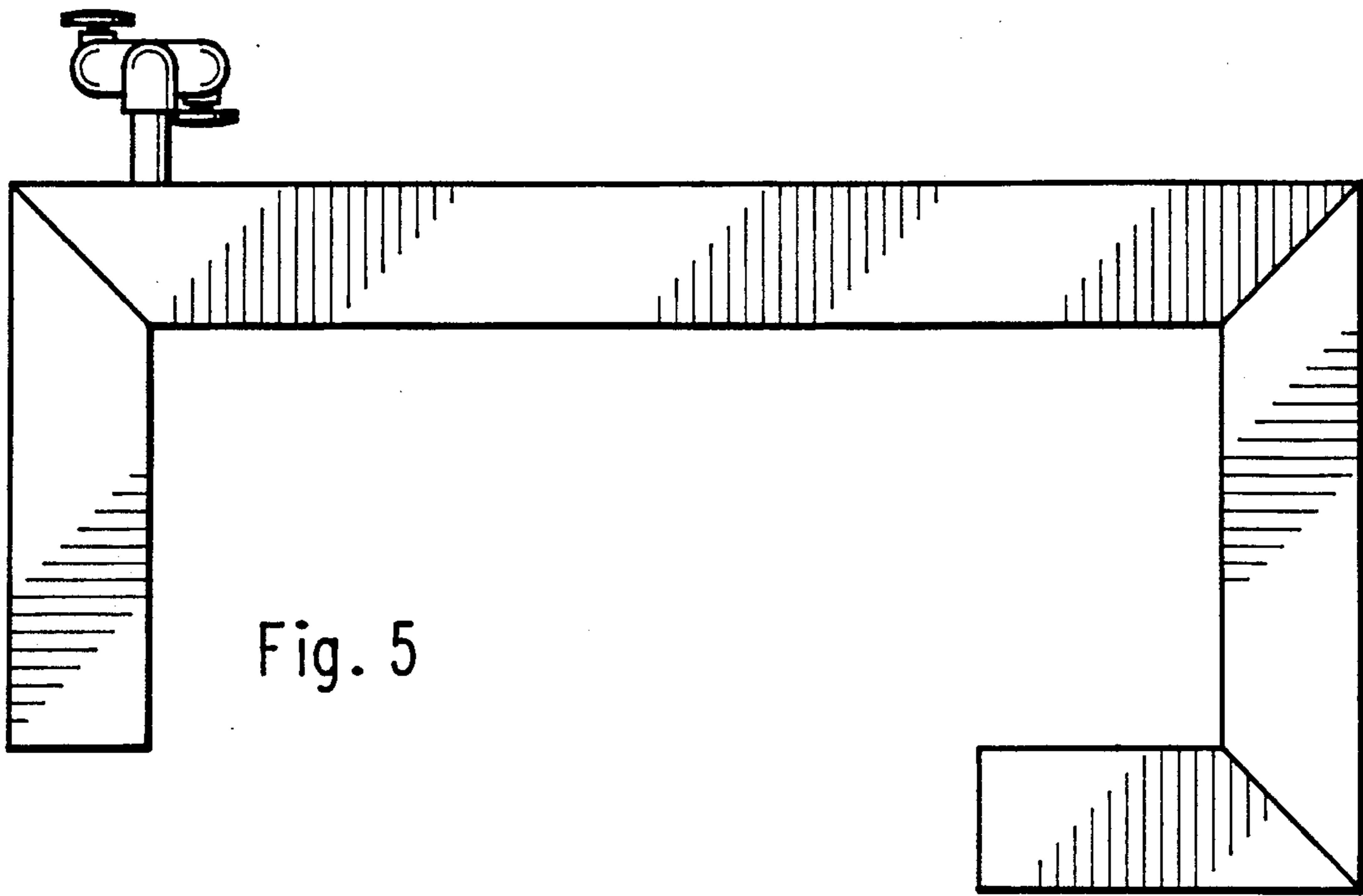
U.S. PATENT DOCUMENTS

247,151	9/1881	Beggs	169/37
260,639	7/1882	Bishop	169/37
3,720,268	3/1973	Seiz	169/16









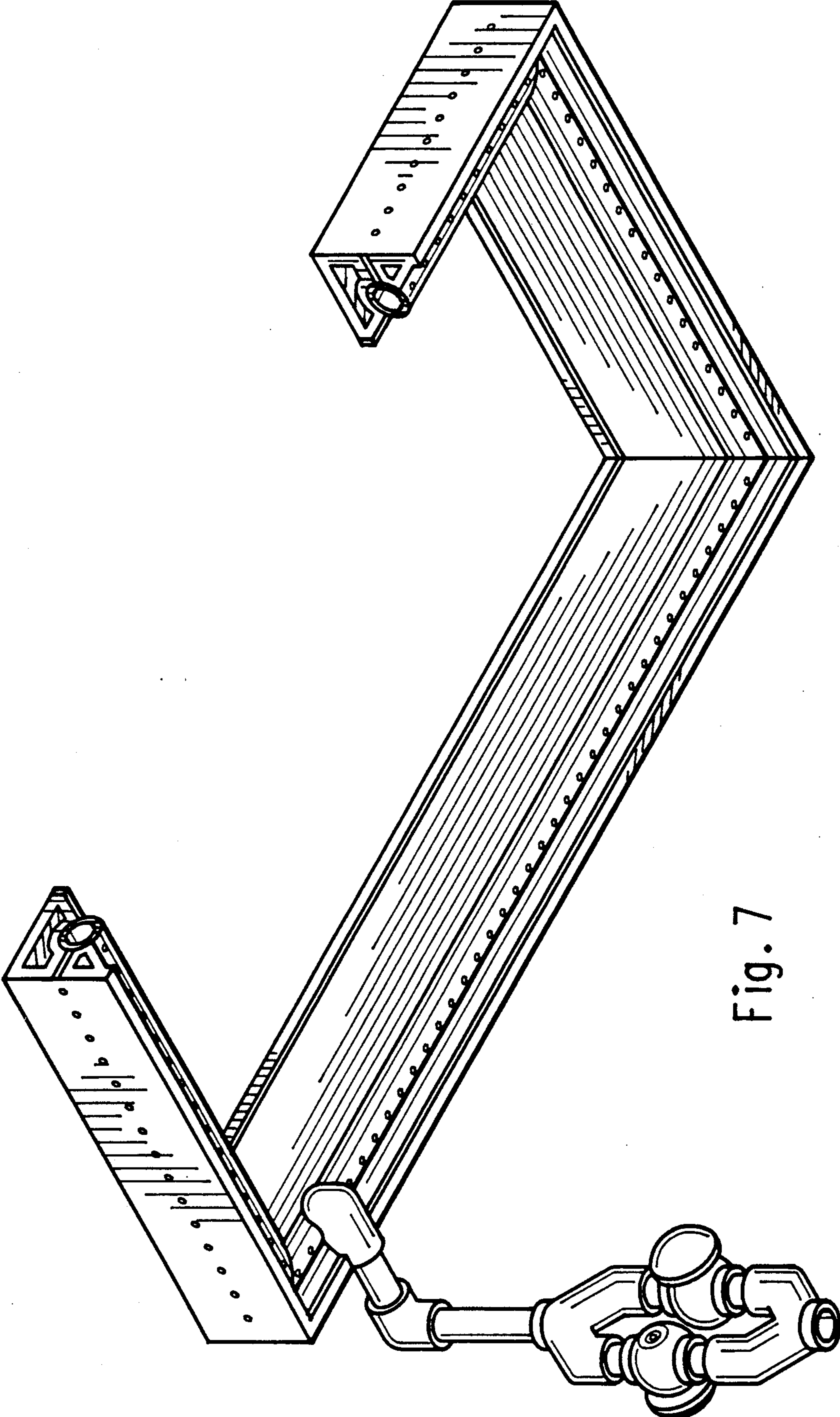


Fig. 7