

[54] **SOLAR POWERED WALKWAY LIGHT**

[75] **Inventor: John S. Frost, Thousand Oaks, Calif.**

[73] **Assignee: Atlantic Richfield Company, Los Angeles, Calif.**

[**] **Term: 14 Years**

[21] **Appl. No.: 388,227**

[22] **Filed: Aug. 1, 1989**

[52] **U.S. Cl. D26/67**

[58] **Field of Search D26/67-71;
362/431, 147, 362, 363, 267, 291, 302; 136/291**

[56] **References Cited**

U.S. PATENT DOCUMENTS

- D. 199,266 9/1964 Izzi D26/67
D. 263,340 3/1982 Budnovitch et al. D26/67

- D. 305,156 12/1989 Maddock D26/67
D. 309,785 8/1990 Chien D26/67
4,774,648 9/1988 Kakuk et al. 362/431 X
4,841,416 6/1989 Doss et al. 362/431 X

Primary Examiner—Susan J. Lucas
Attorney, Agent, or Firm—Nilsson, Robbins, Dalgarn,
Berliner, Carson & Wurst

[57] **CLAIM**

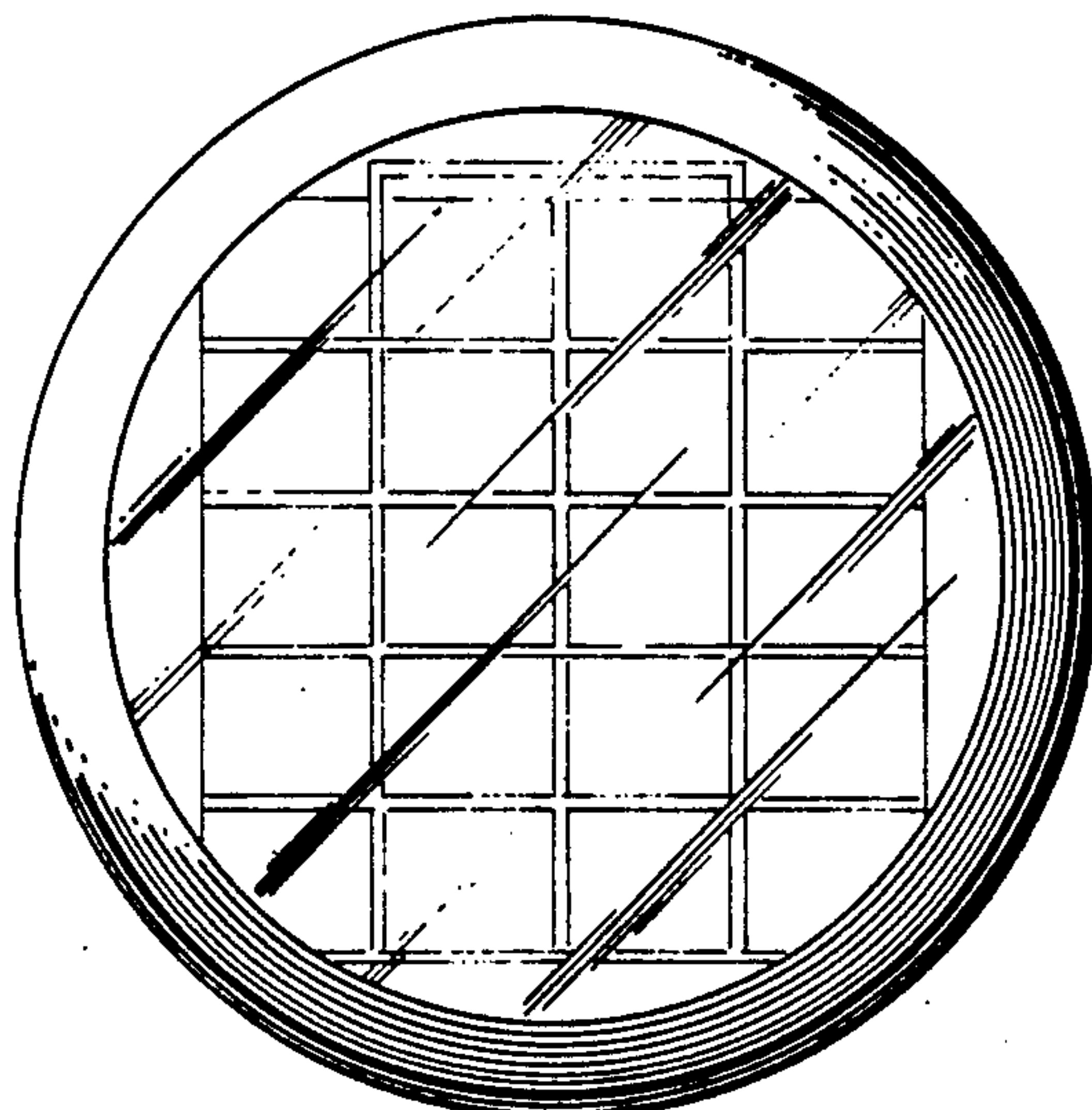
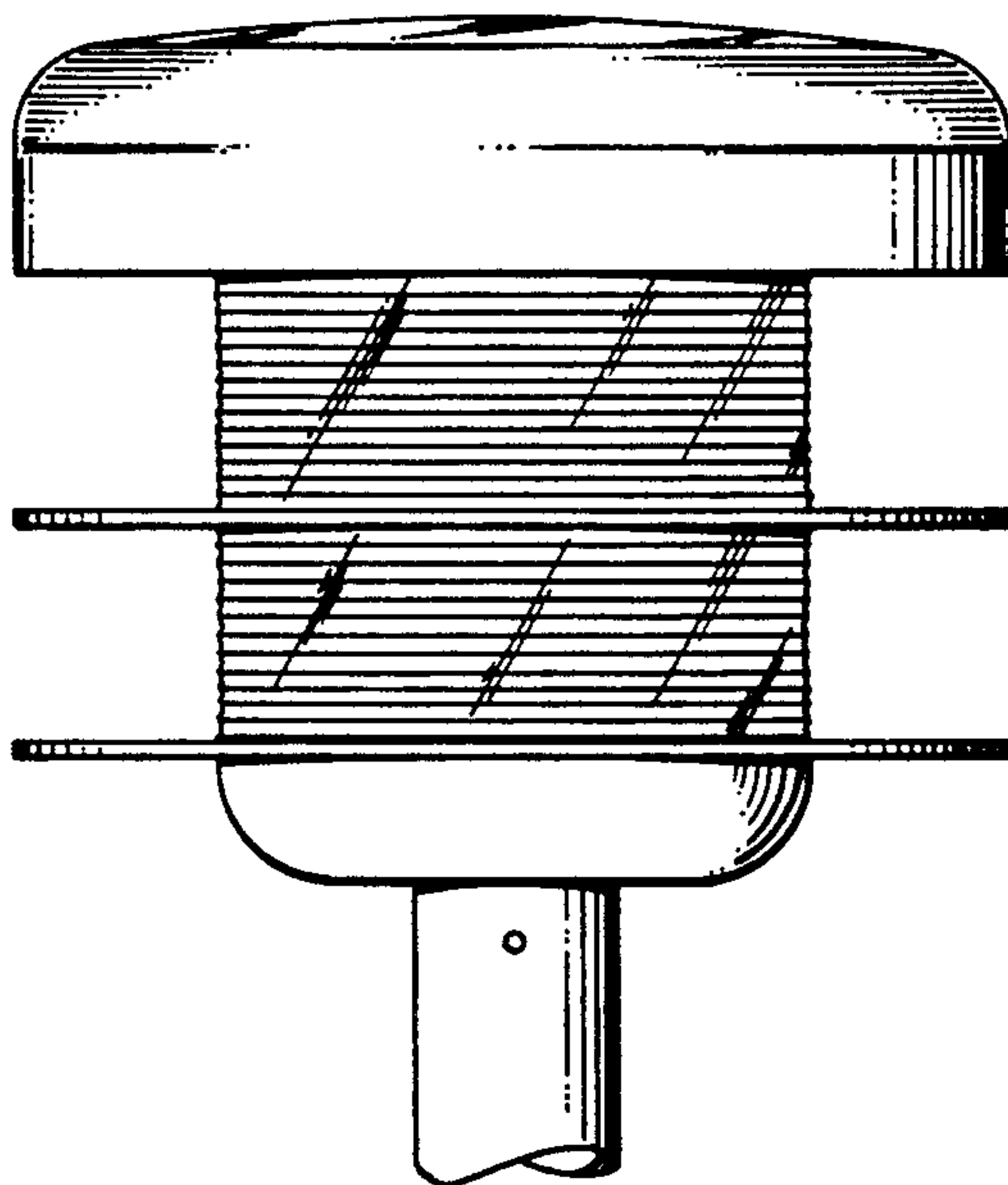
The ornamental design for a solar powered walkway light, as shown and described.

DESCRIPTION

FIG. 1 is a side elevational view of a solar powered walkway light showing my new design, all sides being identical;

FIG. 2 is a top plan view thereof;

FIG. 3 is a bottom plan view thereof.



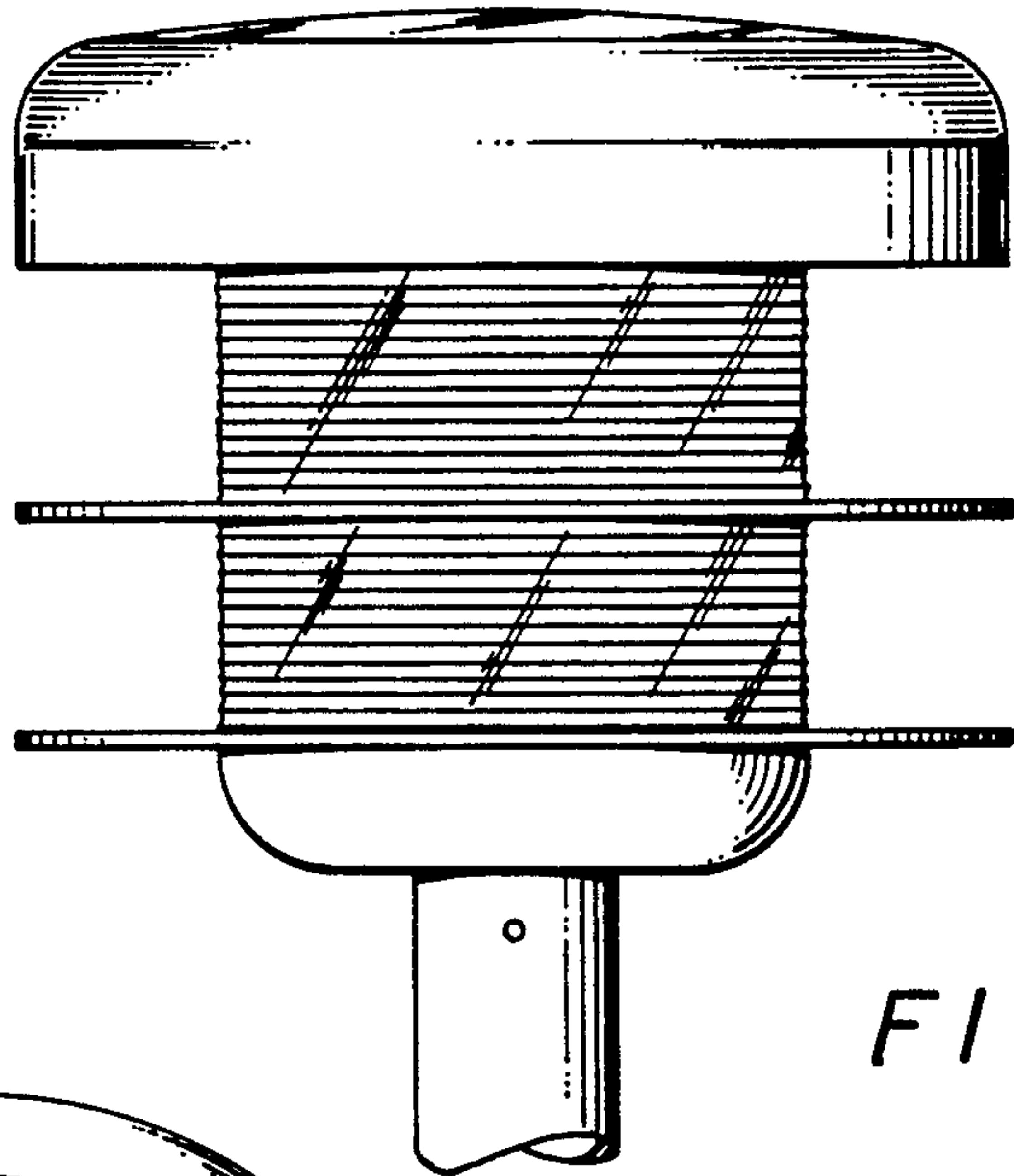


FIG. 1

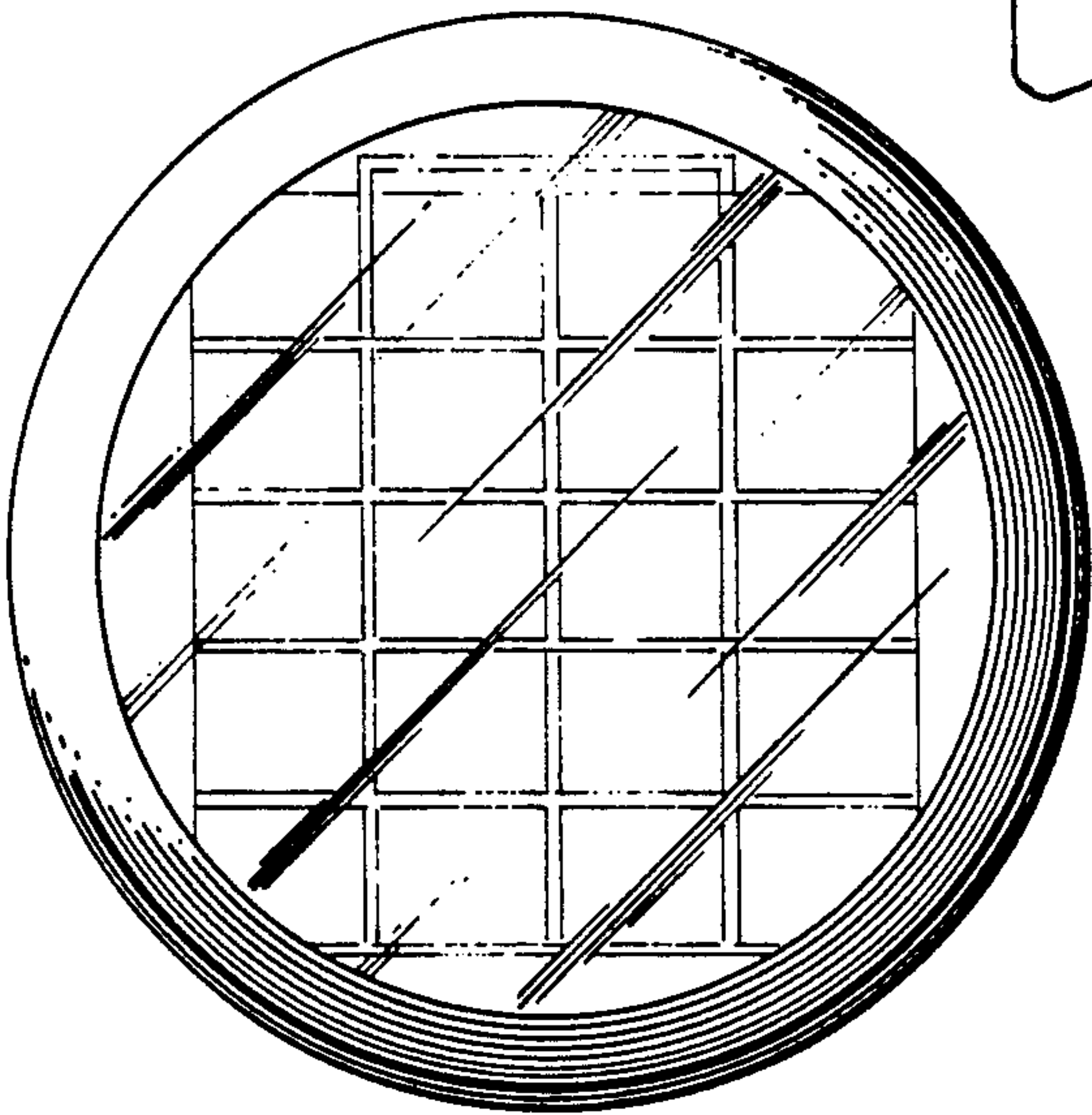


FIG. 2

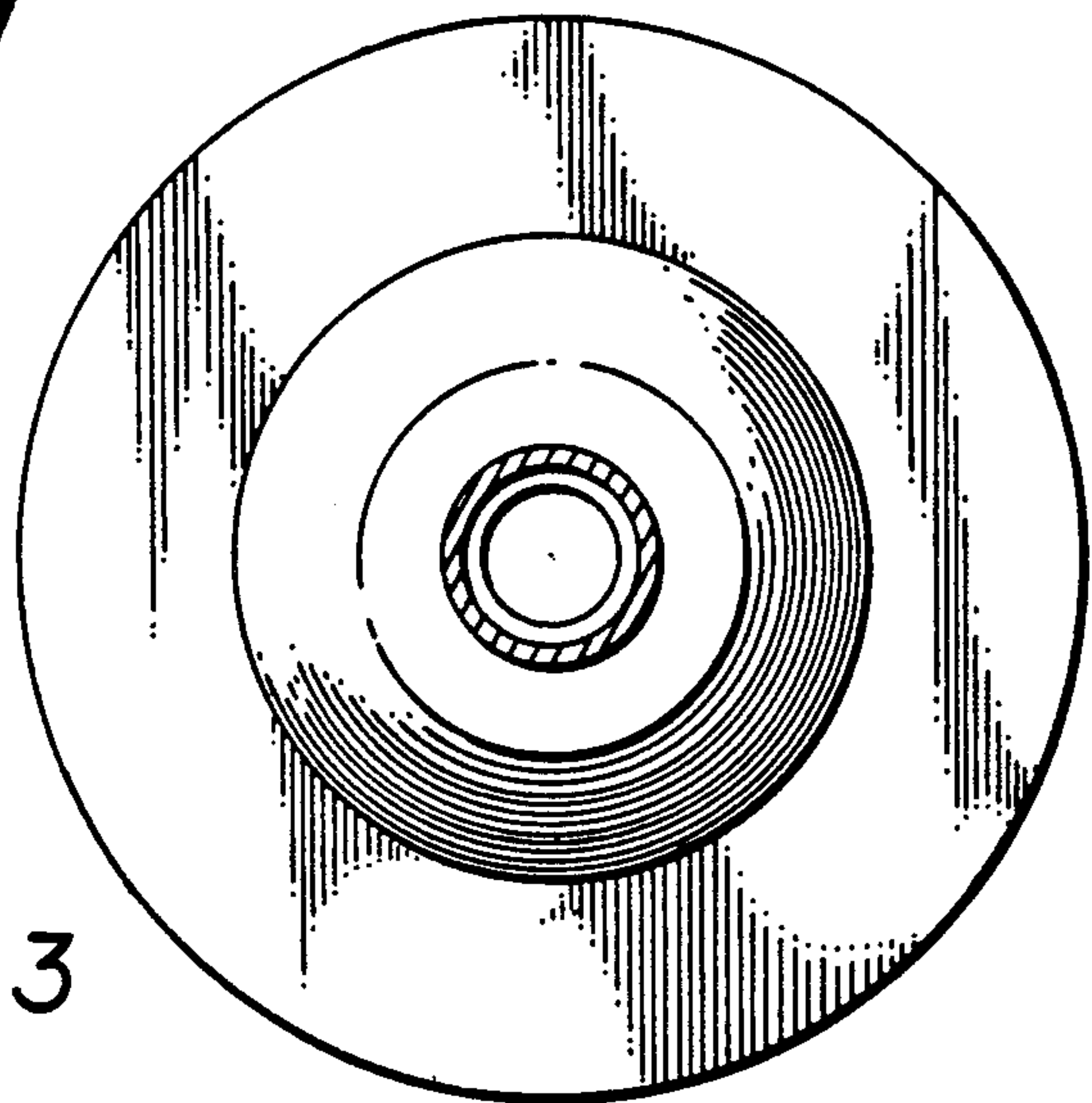


FIG. 3