

[54] **ADJUSTABLE DESK LAMP**

[76] **Inventor: Richard B. Greer, P.O. Box 4005, Carmichael, Calif. 95609**

[**] **Term: 14 Years**

[21] **Appl. No.: 331,899**

[22] **Filed: Apr. 3, 1989**

[52] **U.S. Cl. D26/63; D26/107**

[58] **Field of Search D26/60-66, D26/93, 102-112; 362/410-414, 269, 275, 289, 418, 419, 427**

[56] **References Cited**

U.S. PATENT DOCUMENTS

D. 71,544	11/1926	Bowen	D26/107 X
D. 81,266	5/1930	Thurber et al.	D26/107
D. 115,340	6/1939	Rosenthal	D26/64
1,084,375	1/1914	Swinehart	362/269

OTHER PUBLICATIONS

Artistic Lamps Catalog, 1953, p. 1, Adjustable Lamp #1473.

Artistic Lamps Catalog, 1953, p. 17, Adjustable Lamp #1435.

Primary Examiner—Susan J. Lucas

Attorney, Agent, or Firm—Bernhard Kreten

[57] **CLAIM**

The ornamental design for adjustable desk lamp, as shown and described.

DESCRIPTION

FIG. 1 is a side elevational view of an adjustable desk lamp showing my new design;

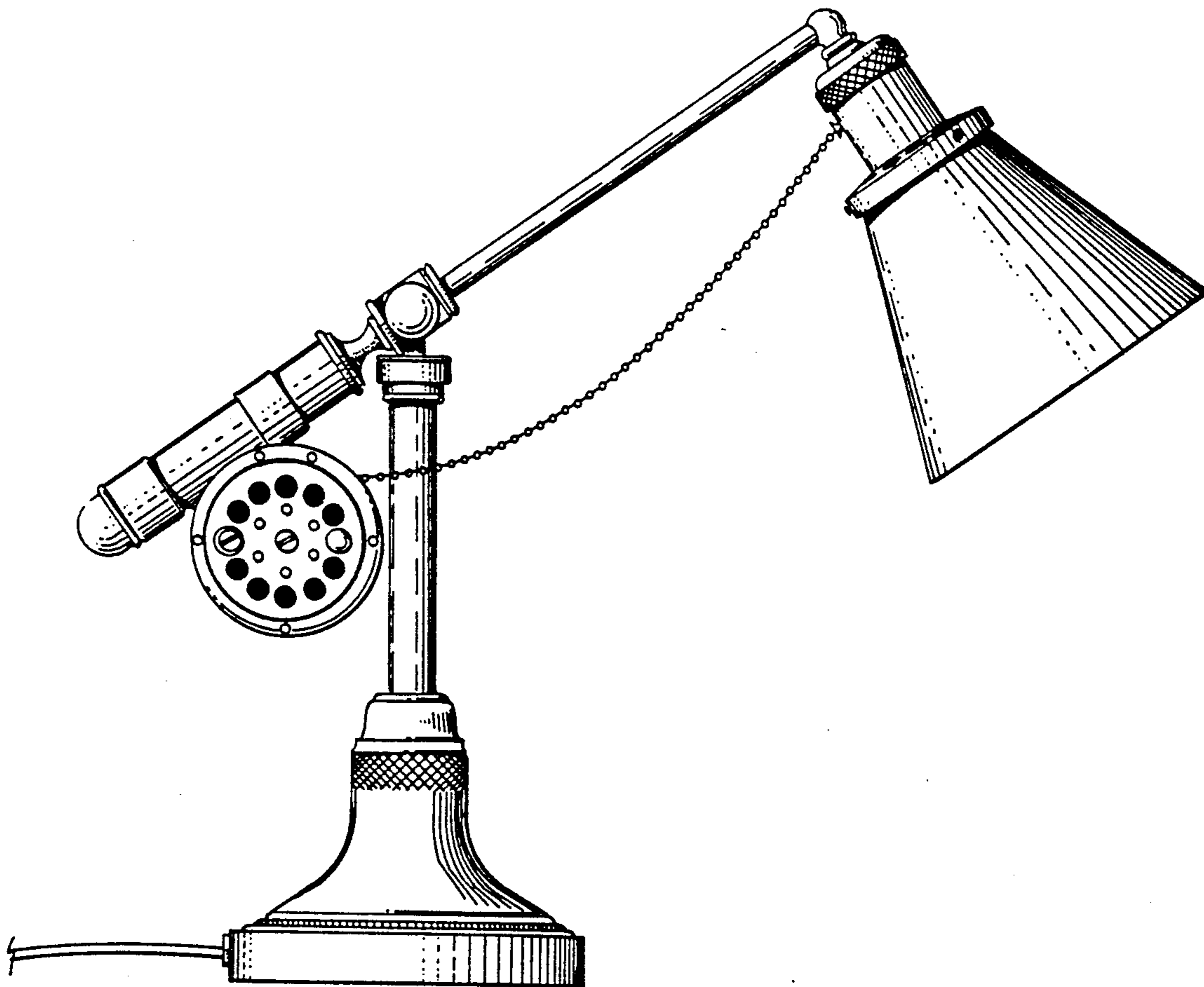
FIG. 2 is a front elevational view thereof;

FIG. 3 is a rear elevational view thereof;

FIG. 4 is a top plan view thereof;

FIG. 5 is a bottom plan view thereof;

FIG. 6 is an opposite side elevational view thereof with the lamp arm in an alternate position.



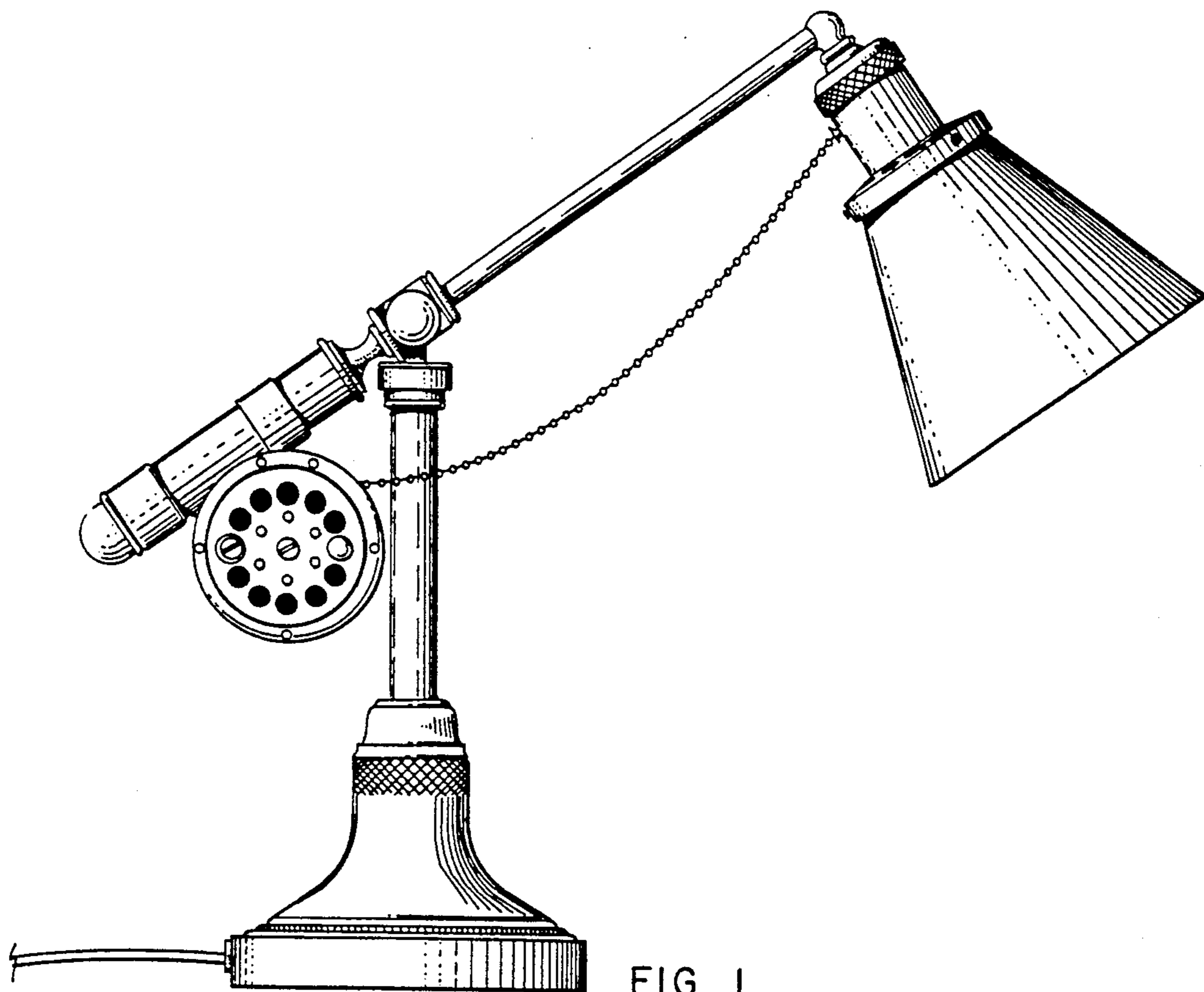


FIG. 1

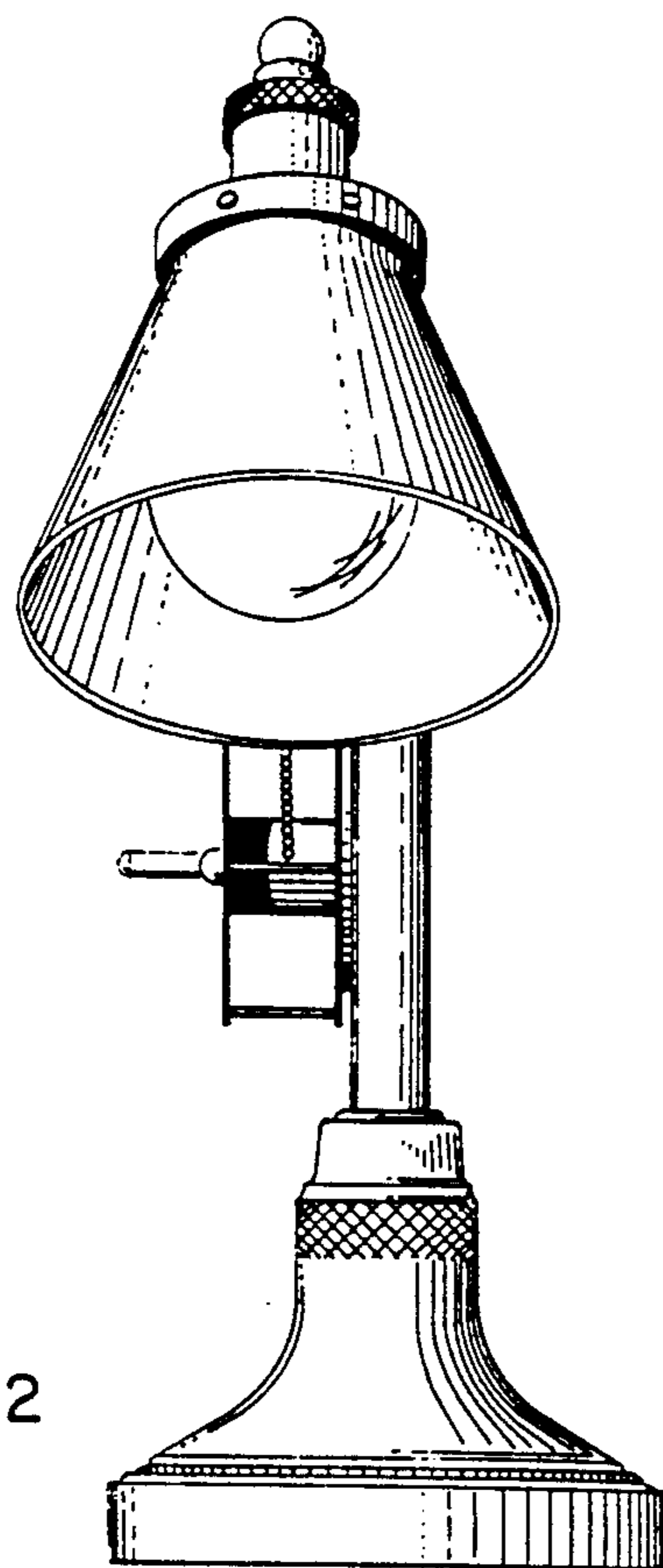


FIG. 2

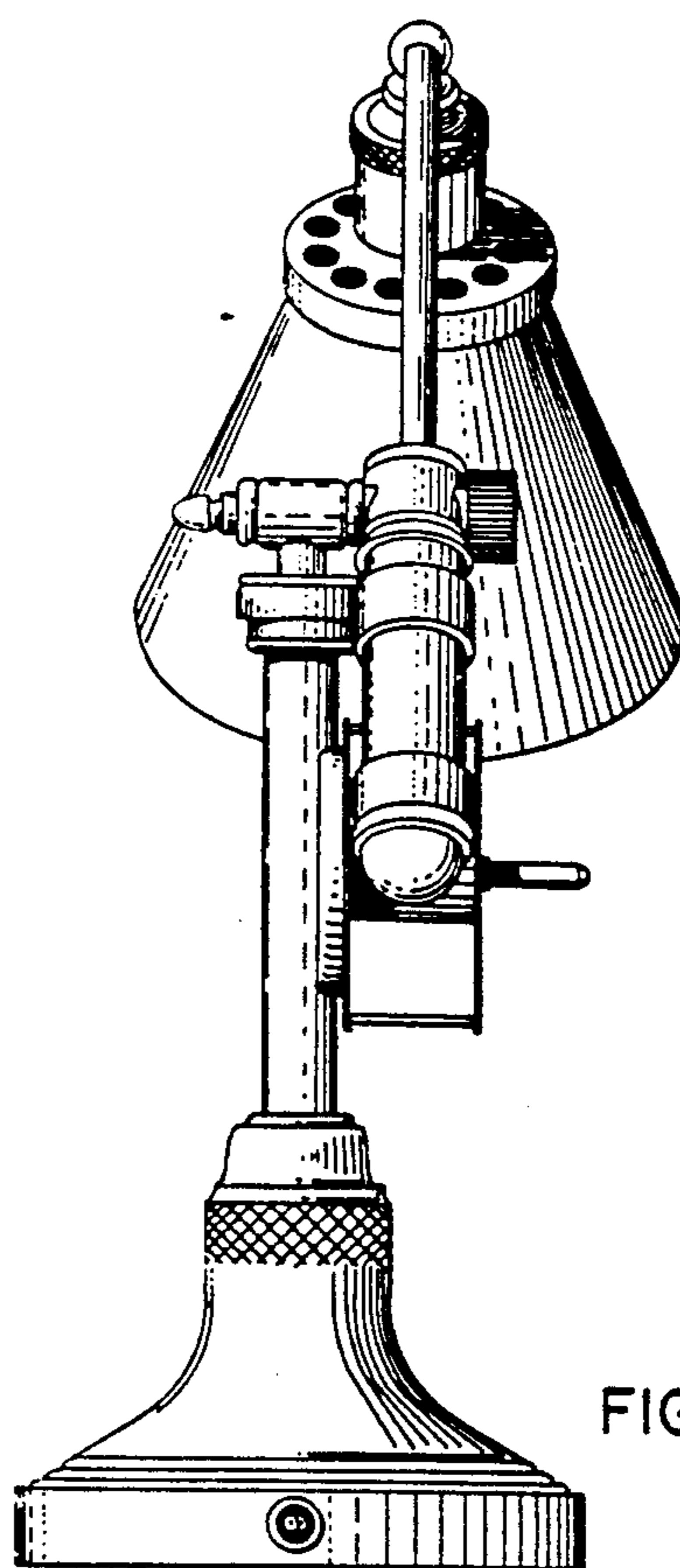


FIG. 3

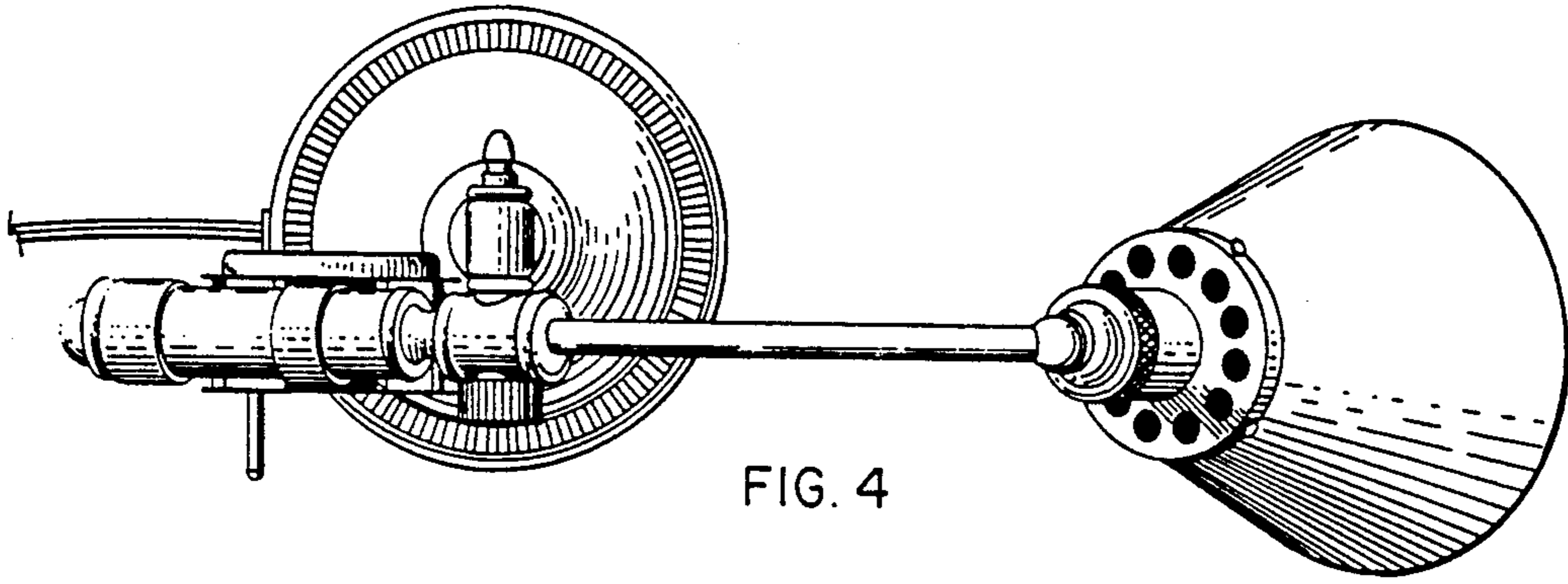


FIG. 4

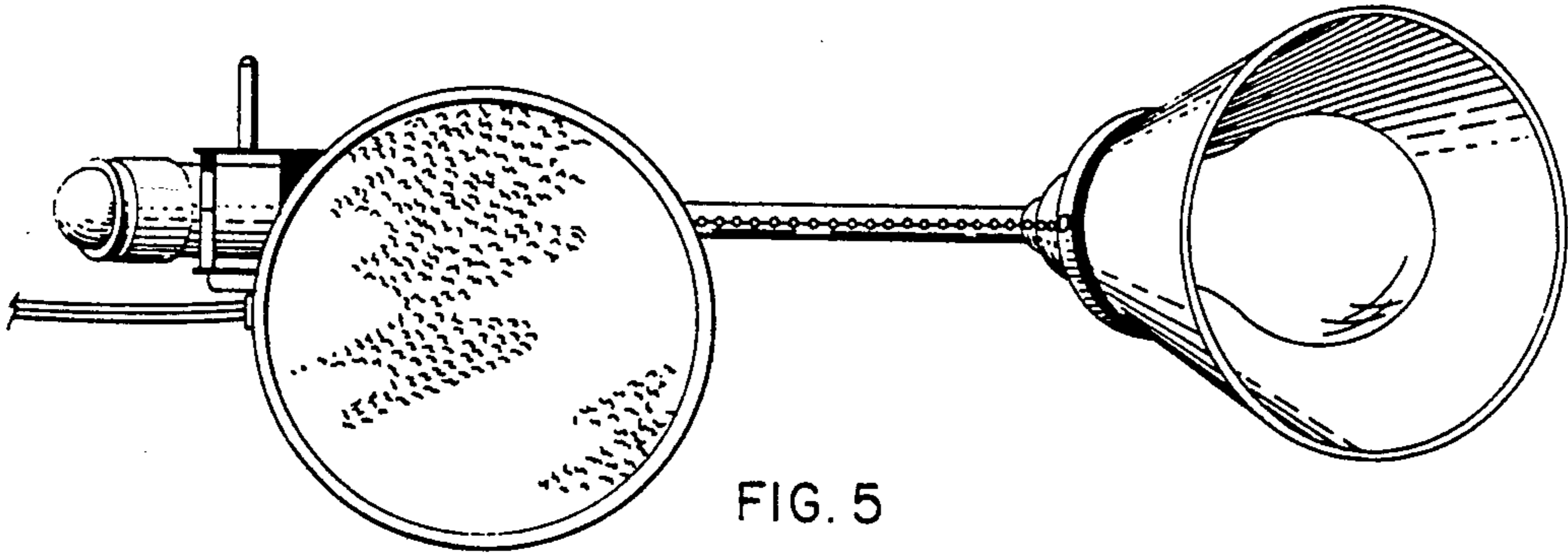


FIG. 5

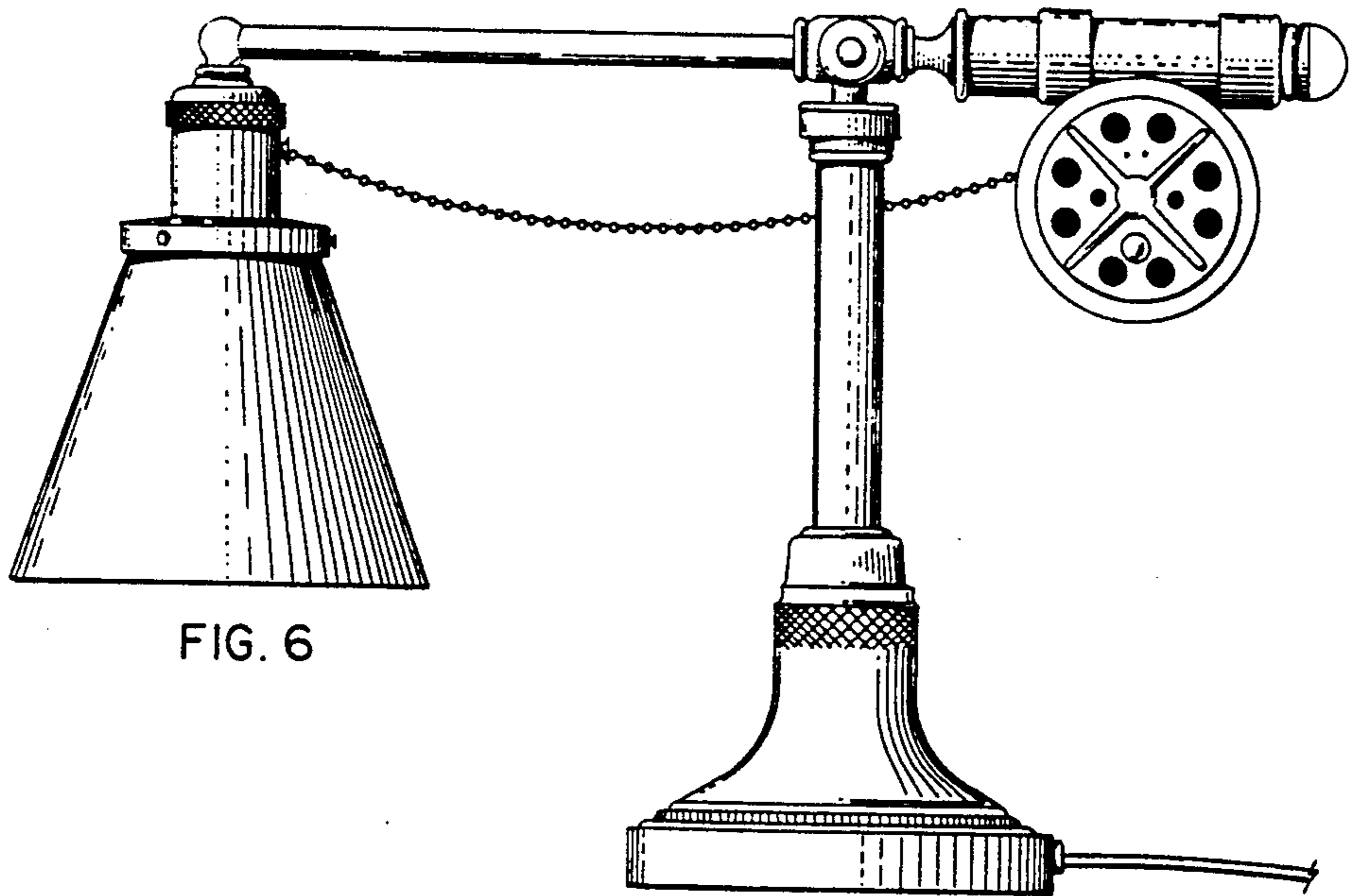


FIG. 6