

[54] ORTHODONTIC BRACKET

[75] Inventors: John S. Kelly, Arcadia; Jerold S. Horn, Azusa; Jirina V. Pospisil, Monrovia, all of Calif.

[73] Assignee: Minnesota Mining and Manufacturing Company, St. Paul, Minn.

[\*\*] Term: 14 Years

[21] Appl. No.: 434,496

[22] Filed: Nov. 13, 1989

Related U.S. Application Data

[63] Continuation of Ser. No. 913,188, Sep. 29, 1986, abandoned.

[52] U.S. Cl. .... D24/16

[58] Field of Search ..... D24/10-16; 433/8-17

[56] References Cited

U.S. PATENT DOCUMENTS

D. 289,329	4/1987	Evans	.....	D24/16
D. 290,040	5/1987	Kelly	.....	D24/16
D. 291,919	9/1987	Reynolds	.....	D24/10
3,391,461	7/1968	Johnson	.....	D24/10 X
4,575,337	3/1986	Fujita	.....	433/8

Primary Examiner—Wallace R. Burke  
Assistant Examiner—Brian N. Vinson  
Attorney, Agent, or Firm—Donald M. Sell; Walter N. Kirn; James D. Christoff

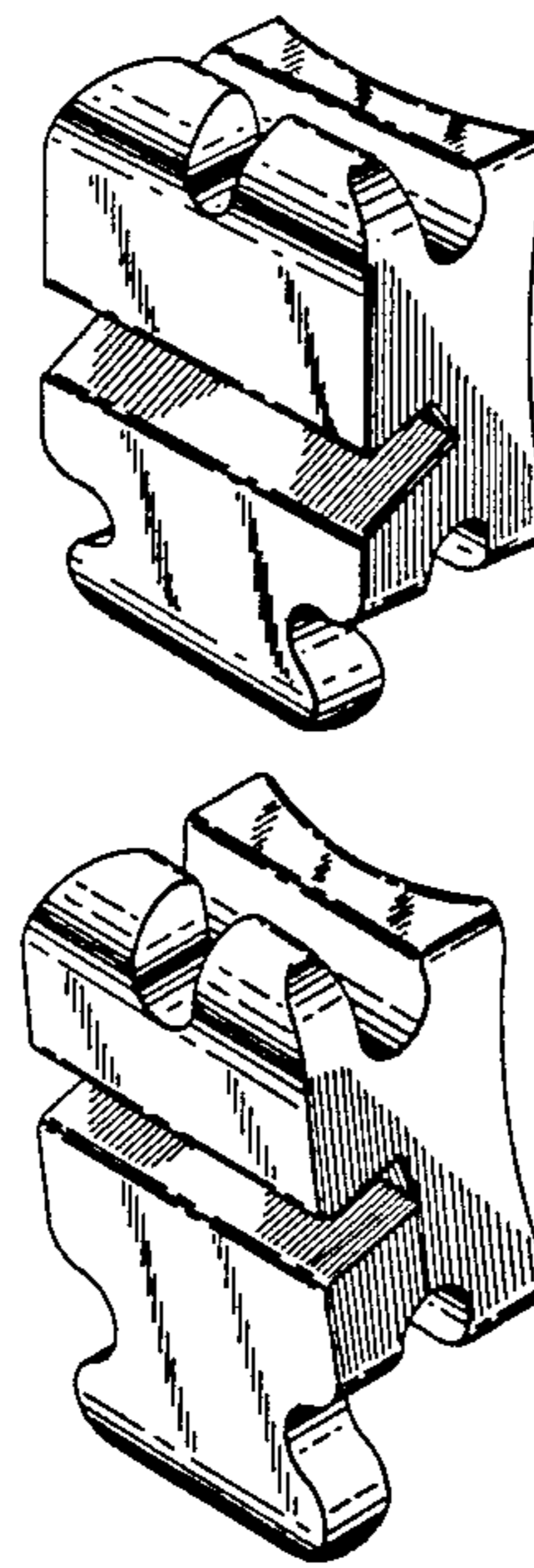
[57] CLAIM

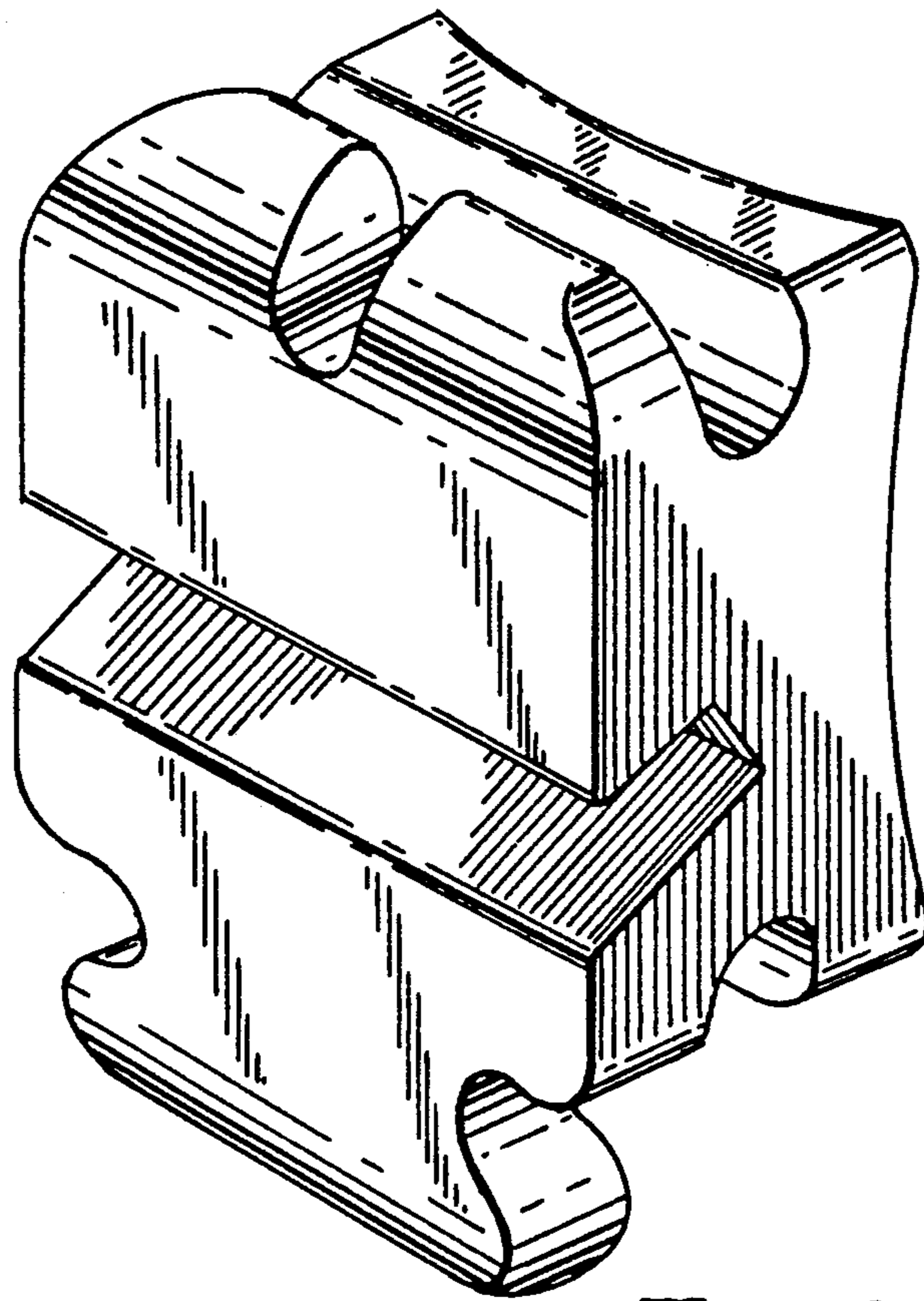
The ornamental design for an orthodontic bracket, as shown and described.

DESCRIPTION

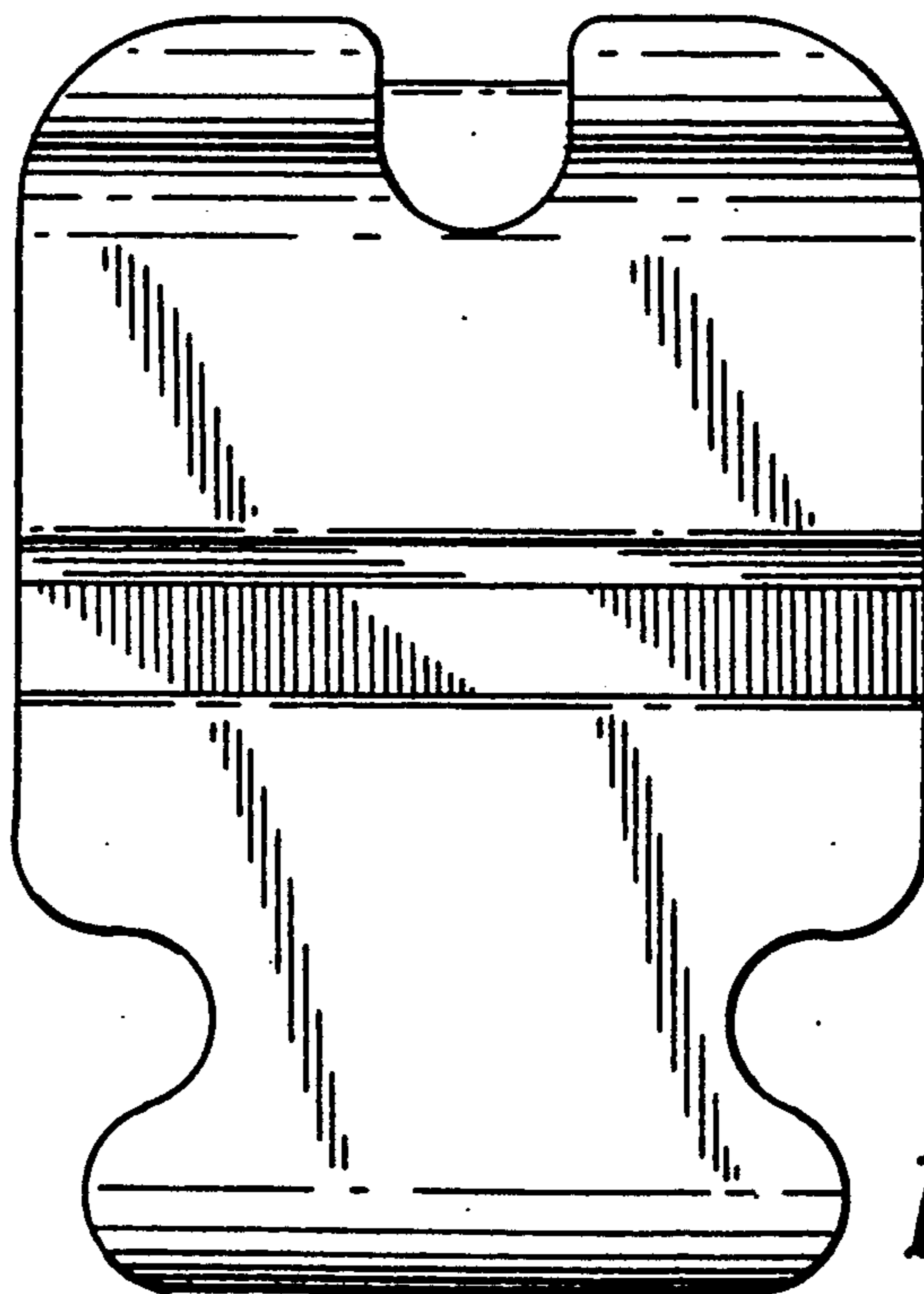
FIG. 1 is a top, front and right side perspective view of

an orthodontic bracket showing our new design as embodied in a lower bicuspid tooth bracket; FIG. 2 is a front elevational view thereof; FIG. 3 is a top, rear and left side perspective view thereof; FIG. 4 is a rear elevational view thereof; FIG. 5 is a right side elevational view thereof, the left side being a mirror image of that shown; FIG. 6 is a top plan view thereof; FIG. 7 is a bottom plan view thereof; FIG. 8 is a right side elevational view of an orthodontic bracket showing our new design as alternately embodied in a lower bicuspid tooth bracket, the only difference residing in the rear of the archwire slot; FIG. 9 is a right side elevational view of an orthodontic bracket showing our new design as alternately embodied in a lower bicuspid tooth bracket, the only difference residing in the rear of the archwire slot; FIG. 10 is a right side elevational view of an orthodontic bracket showing our new design as alternately embodied in a lower bicuspid tooth bracket, the only difference residing in the rear of the archwire slot; FIG. 11 is a right side elevational view of an orthodontic bracket showing our new design as alternately embodied in a lower bicuspid tooth bracket, the only difference residing in the rear of the archwire slot; FIG. 12 is a top, front and right side perspective view of an orthodontic bracket showing our new design as alternately embodied in a lower cuspid tooth bracket; FIG. 13 is a front elevational view thereof; FIG. 14 is a right side elevational view thereof, the left side being substantially a mirror image of that shown; FIG. 15 is a bottom plan view thereof; FIG. 16 is a top, front and right side perspective view of an orthodontic bracket showing our new design as alternately embodied in an upper cuspid tooth bracket; FIG. 17 is a front elevational view thereof; FIG. 18 is a right side elevational view thereof, the left side being substantially a mirror image of that shown; and FIG. 19 is a bottom plan view thereof.

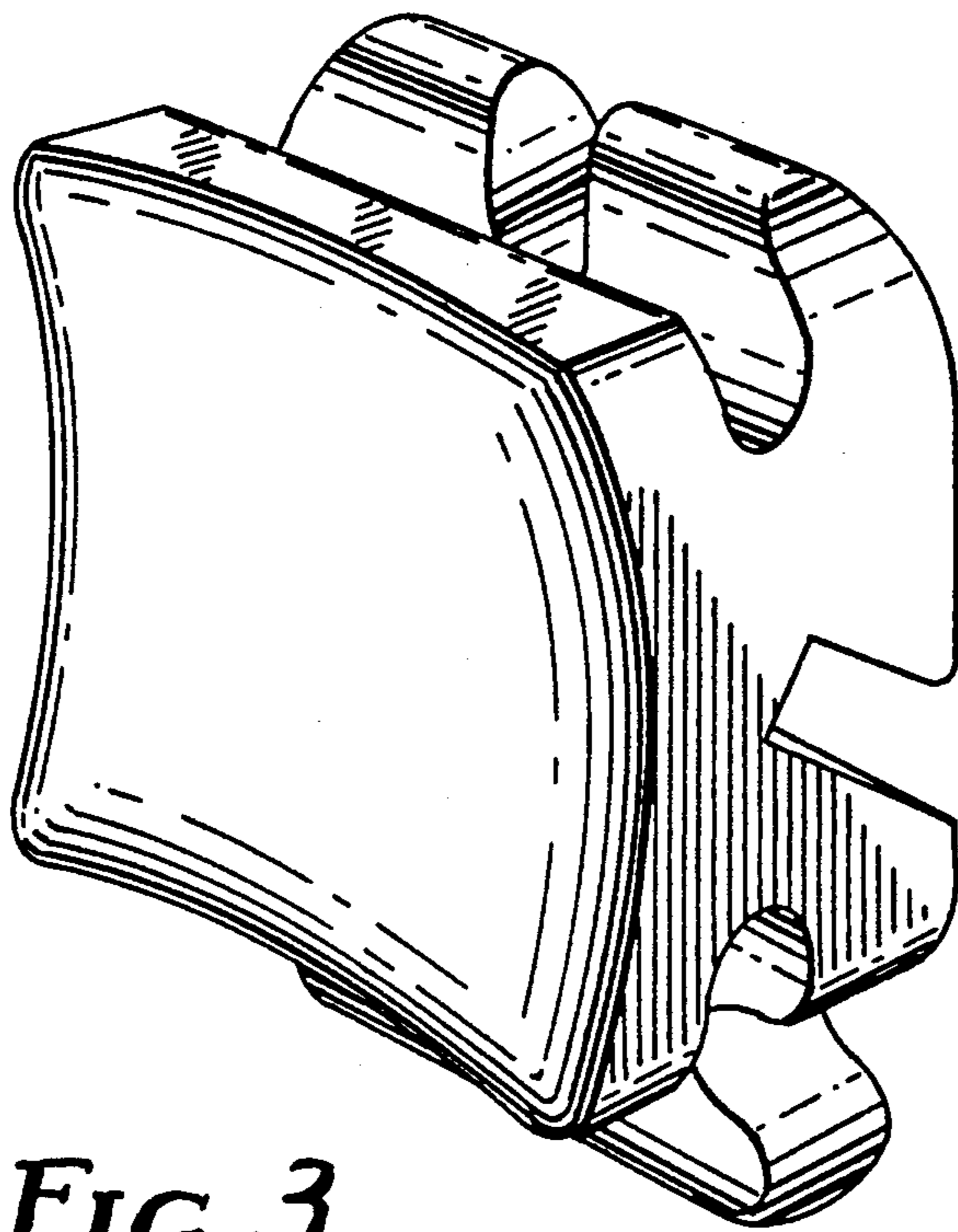




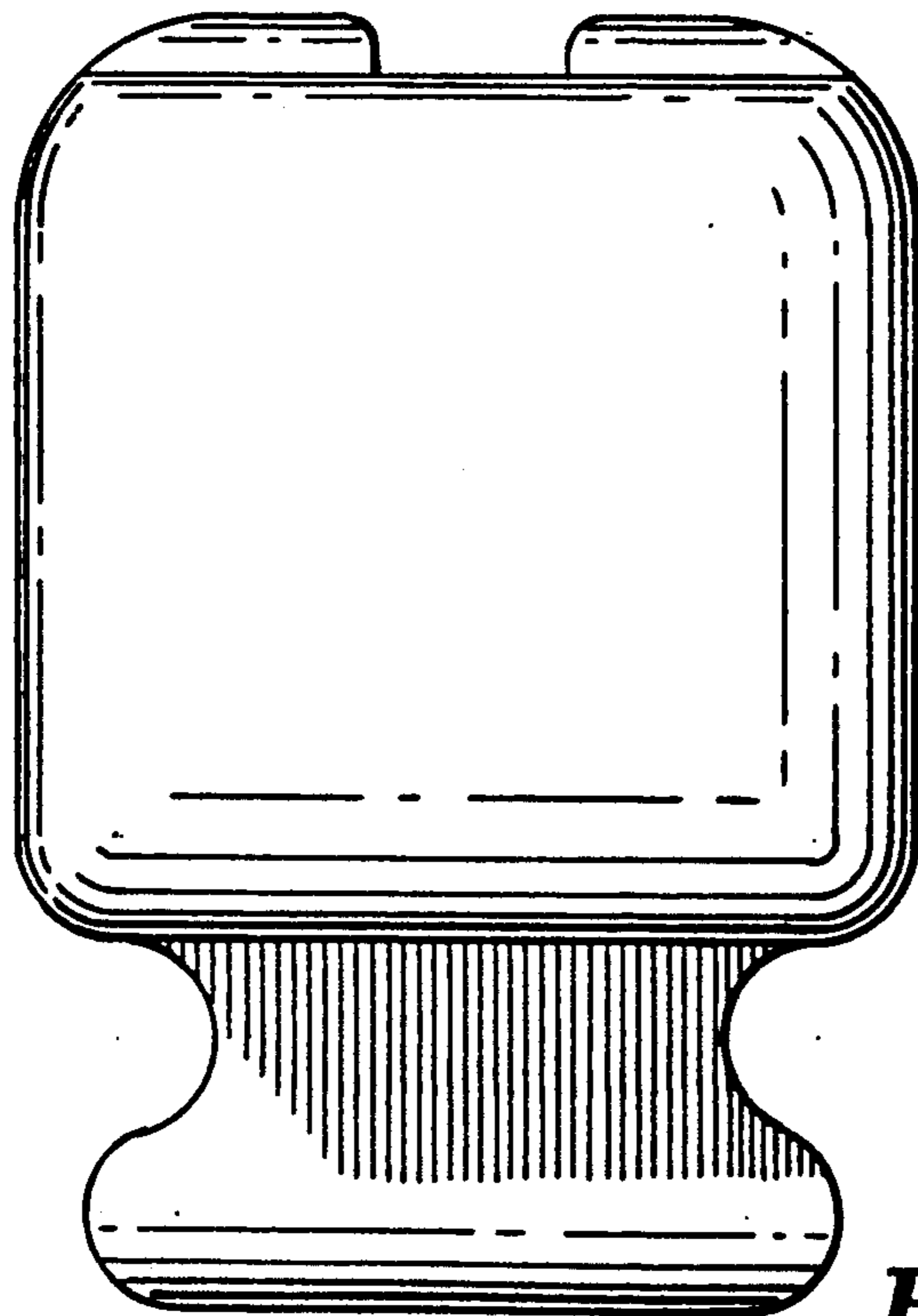
*FIG. 1*



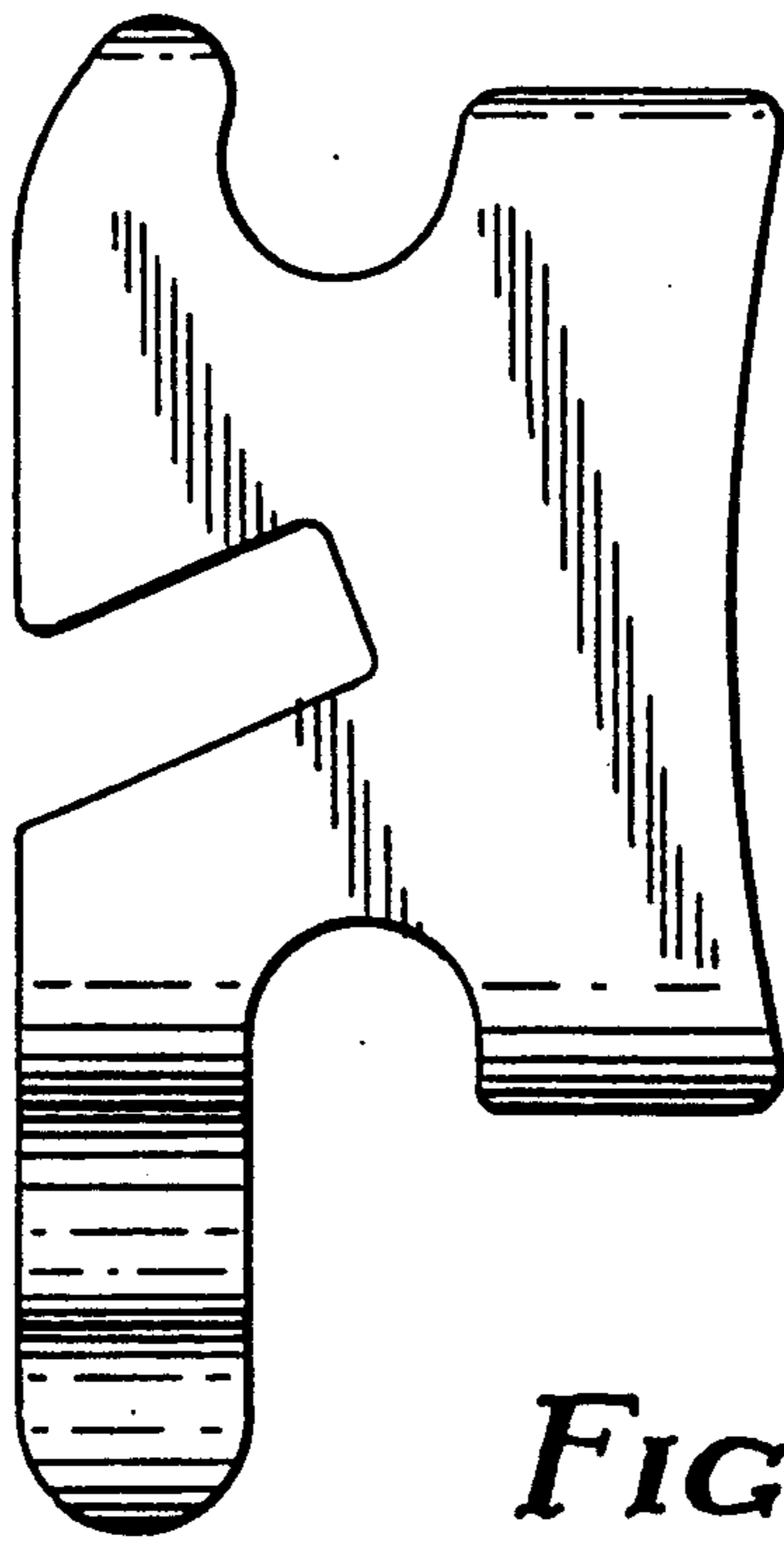
*FIG. 2*



*FIG. 3*

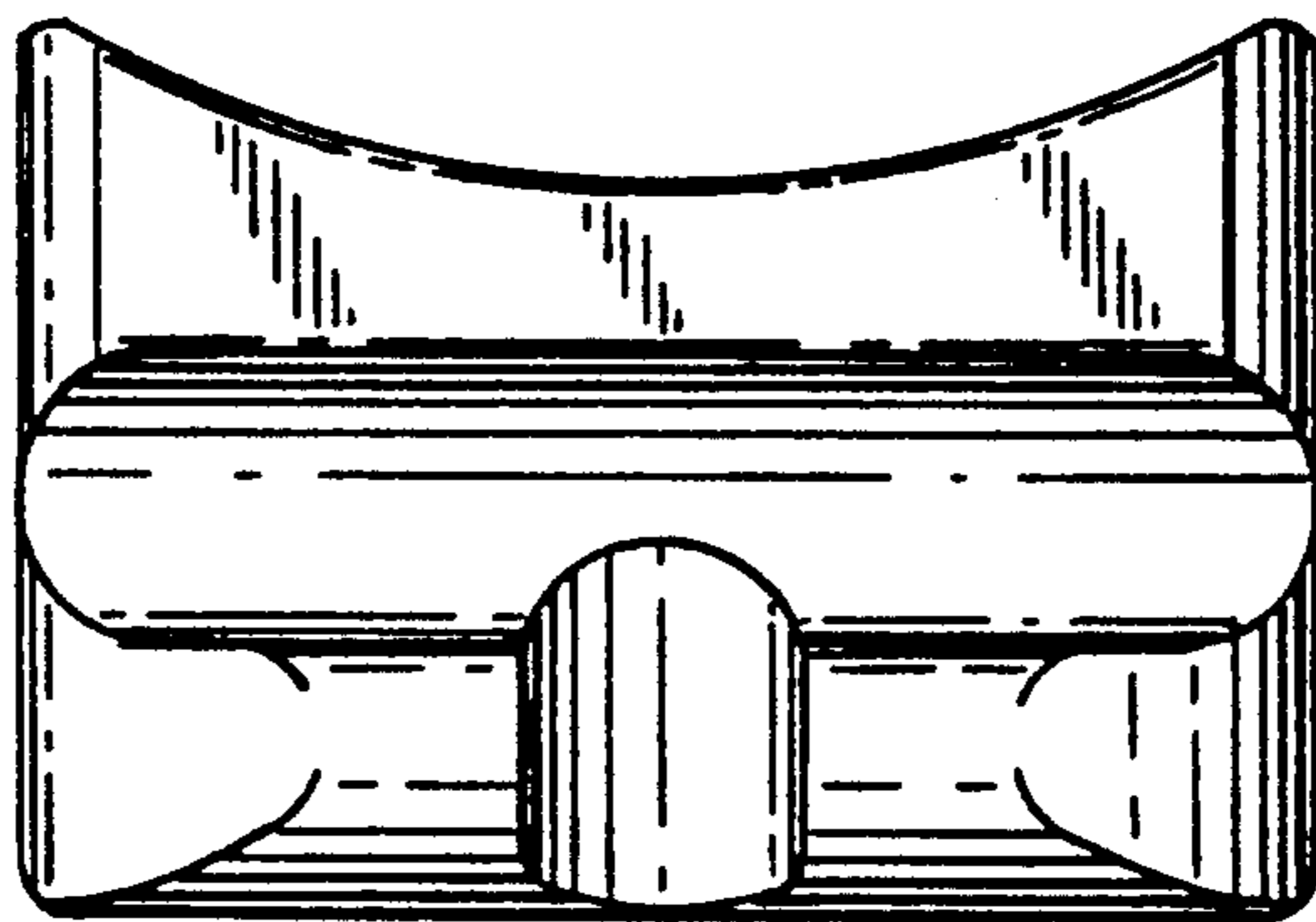


*FIG. 4*

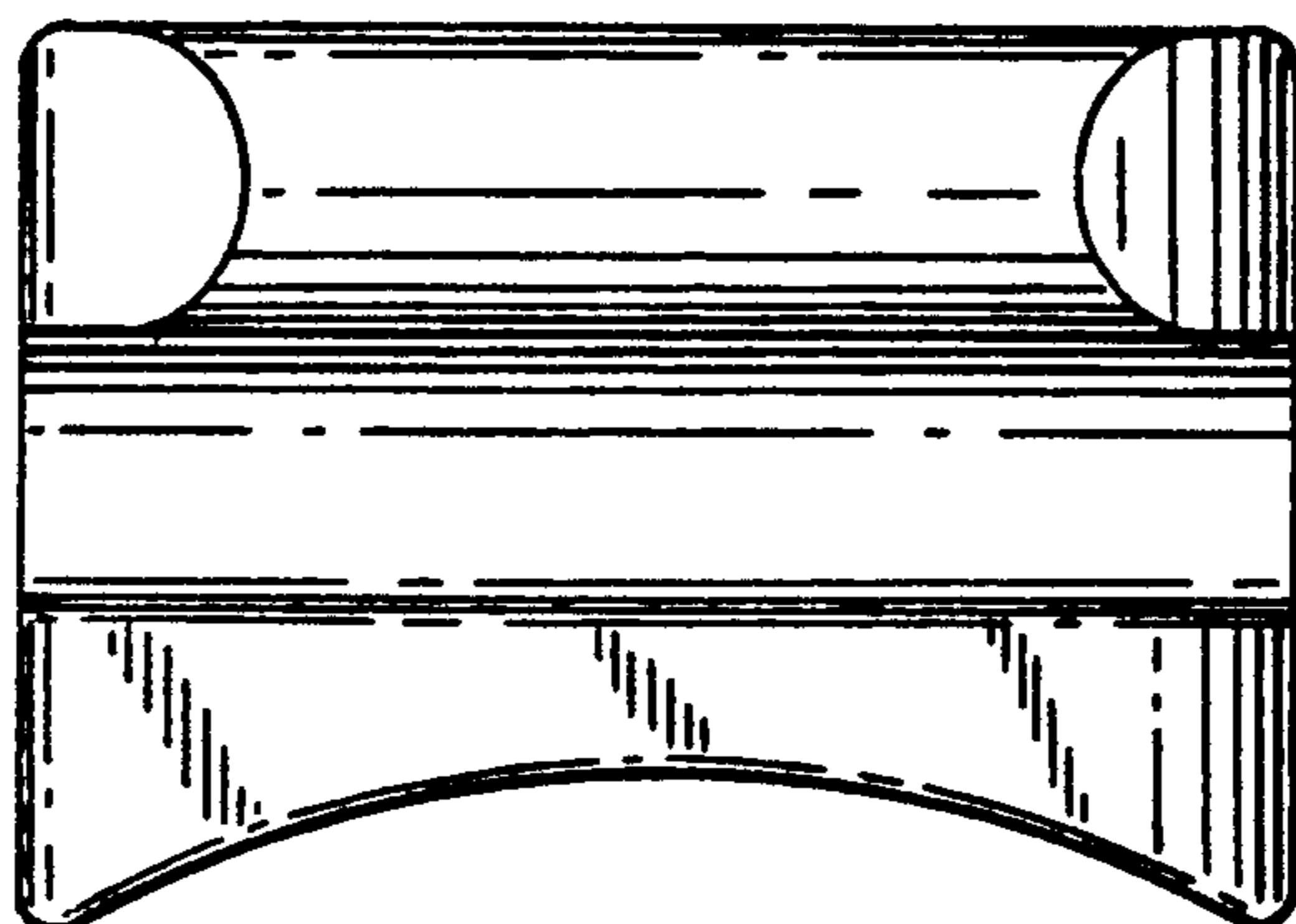


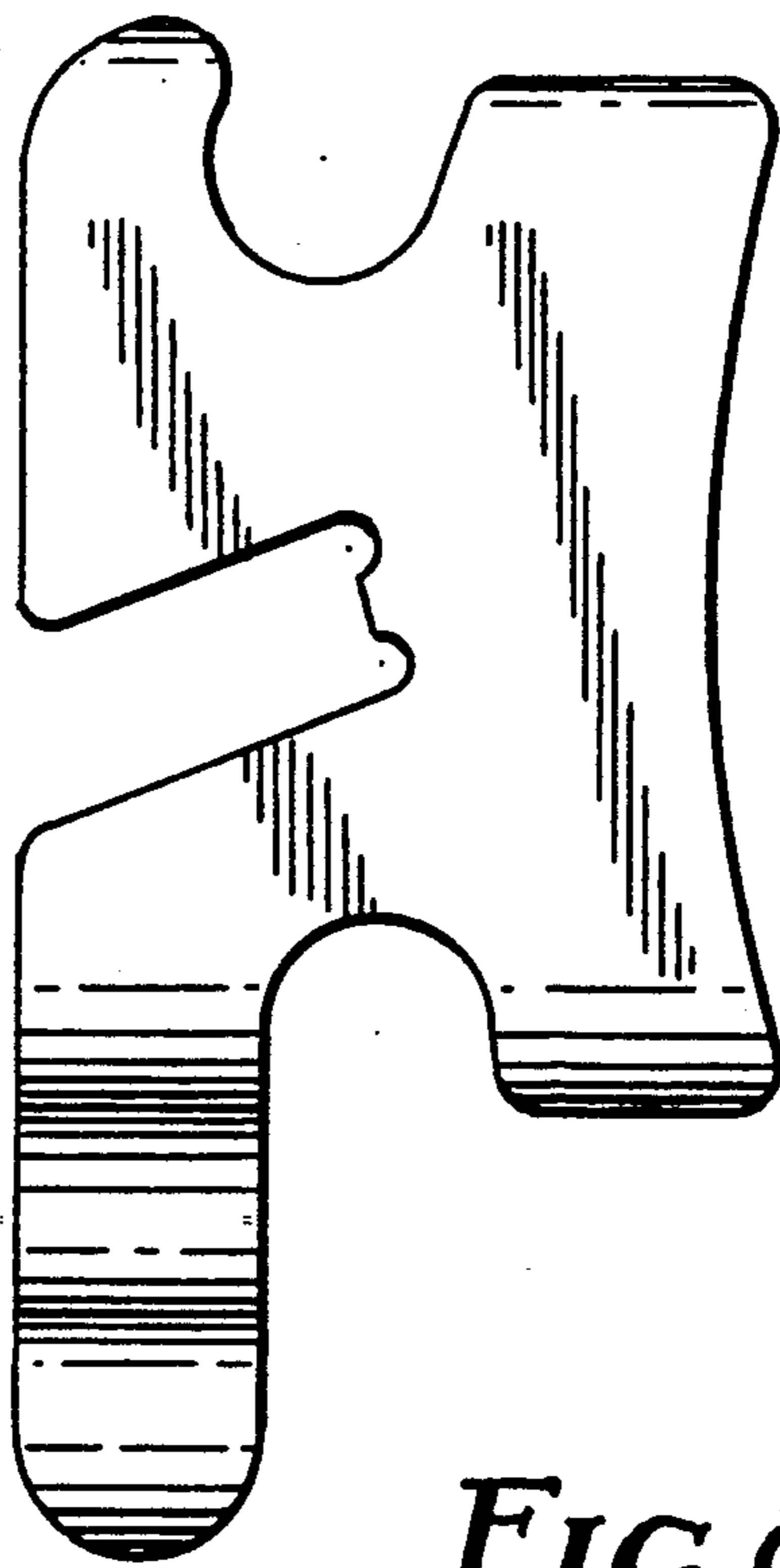
*FIG. 5*

*FIG. 6*



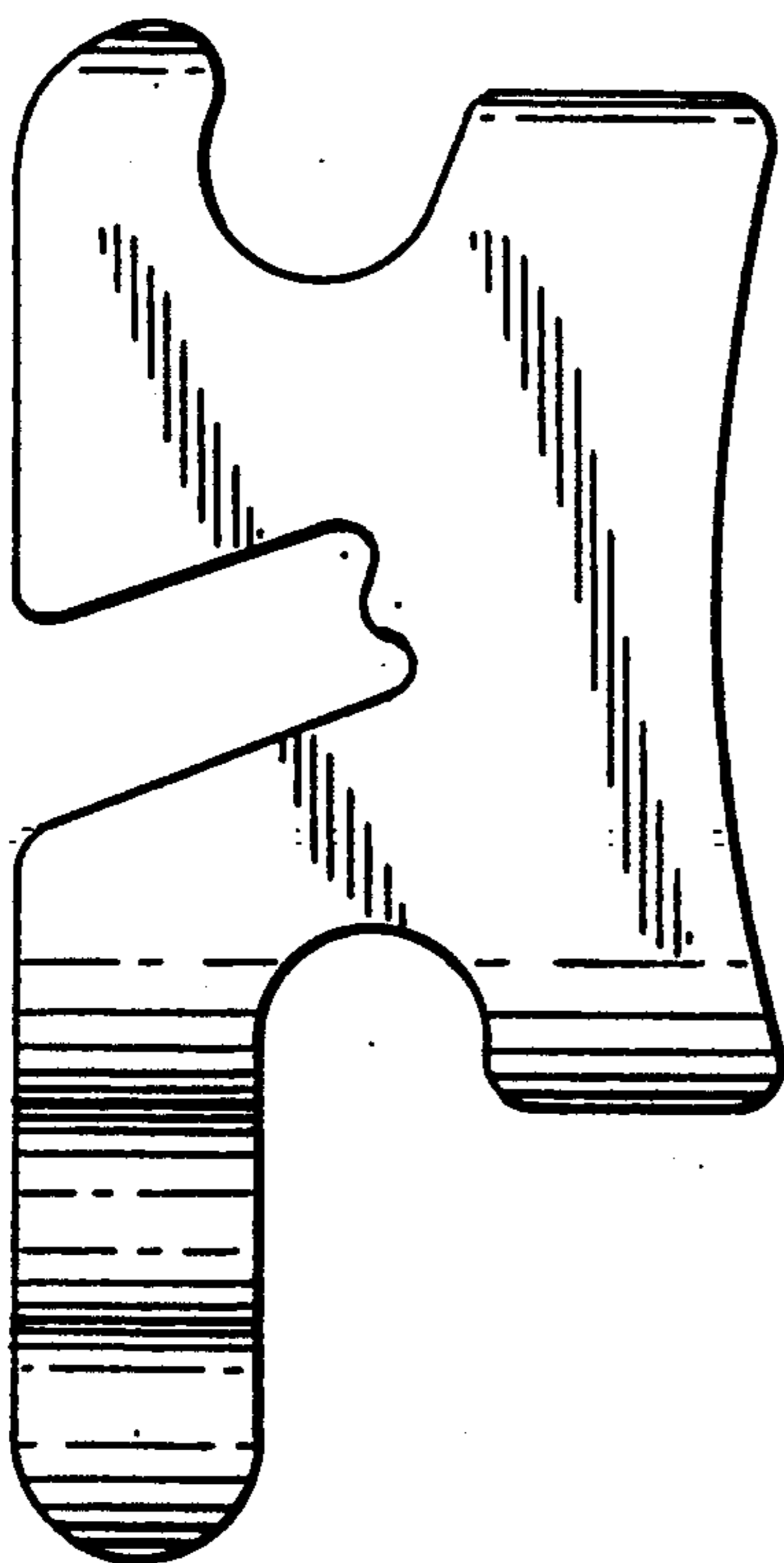
*FIG. 7*



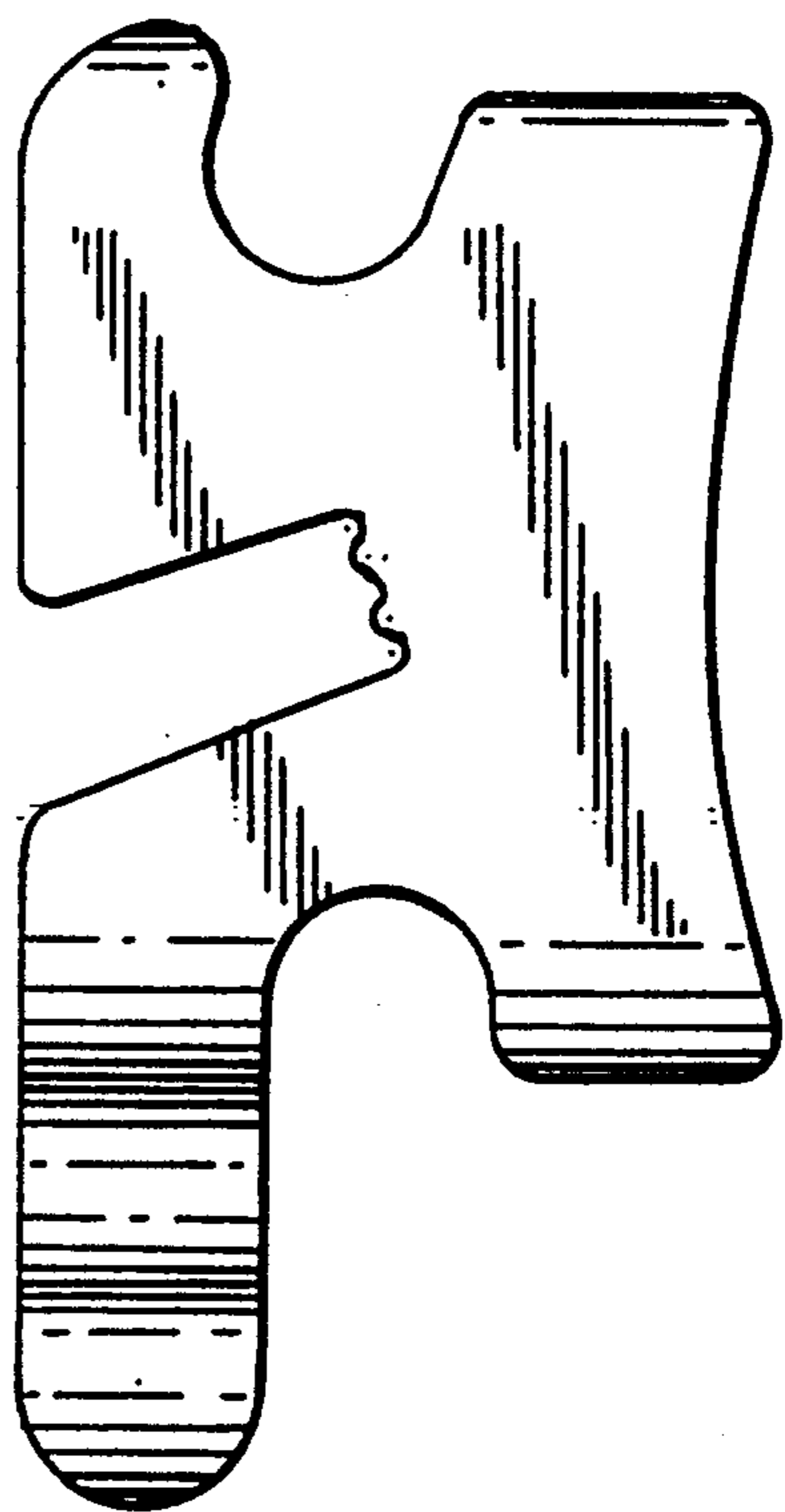


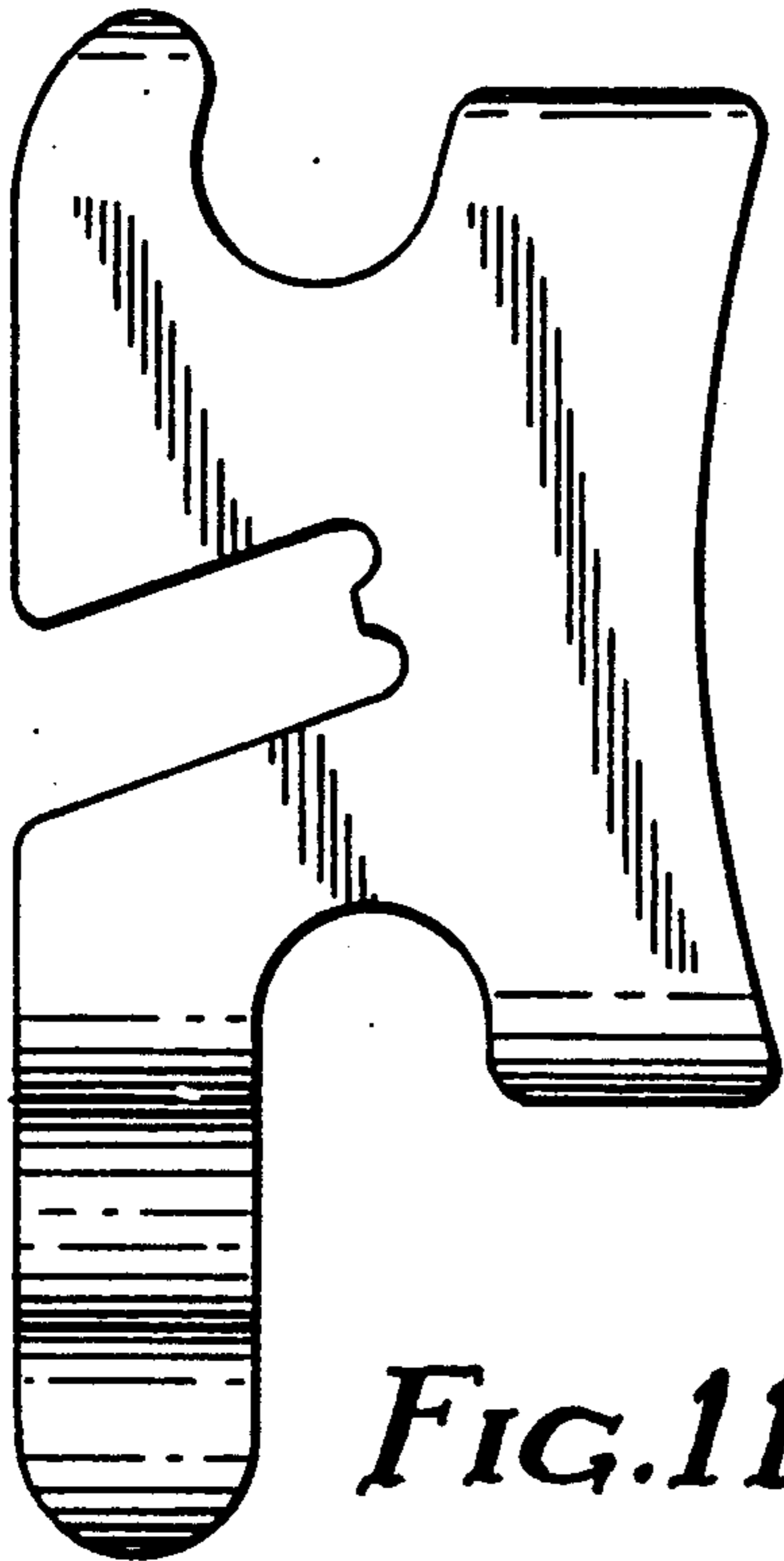
*FIG. 8*

*FIG. 9*

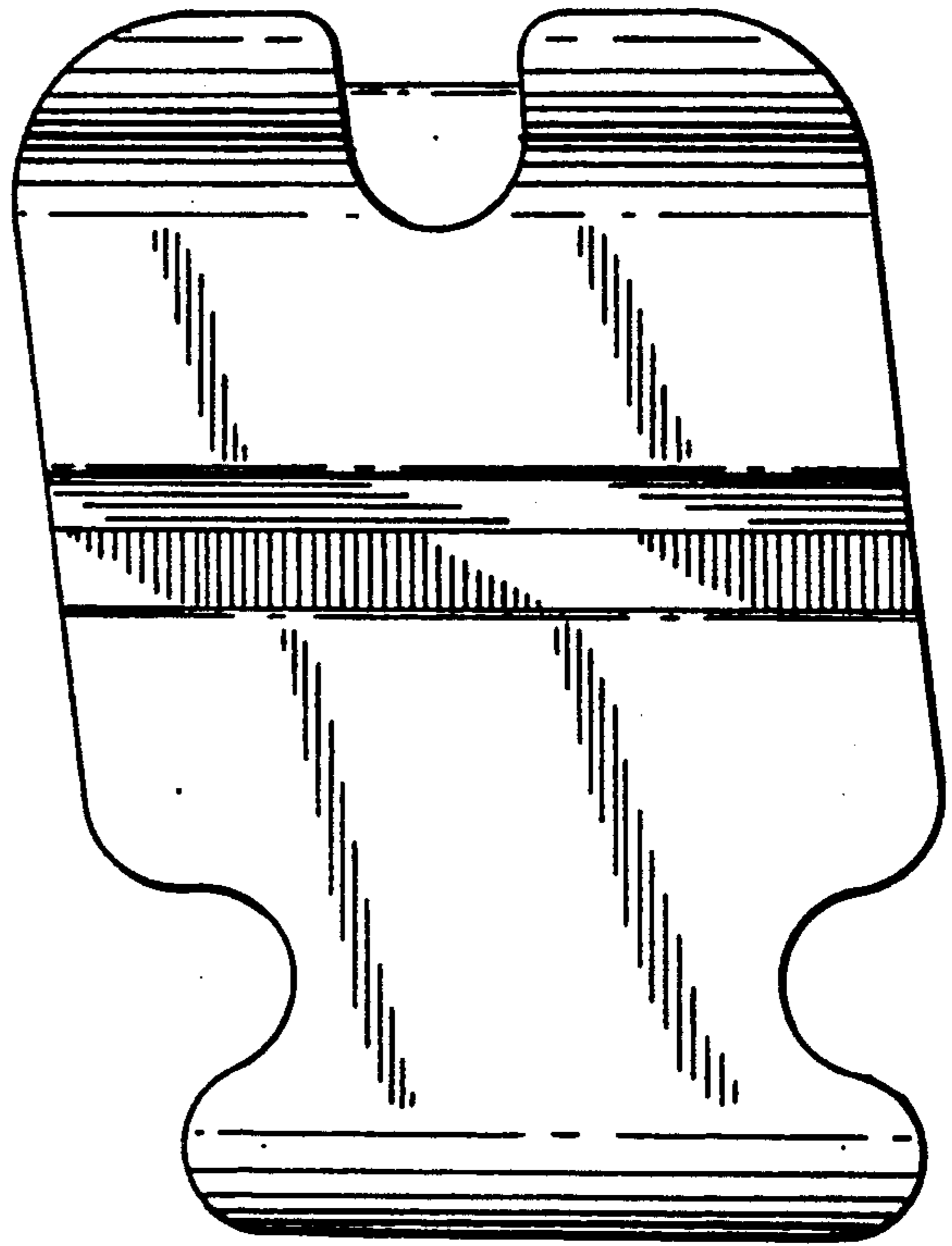


*FIG. 10*

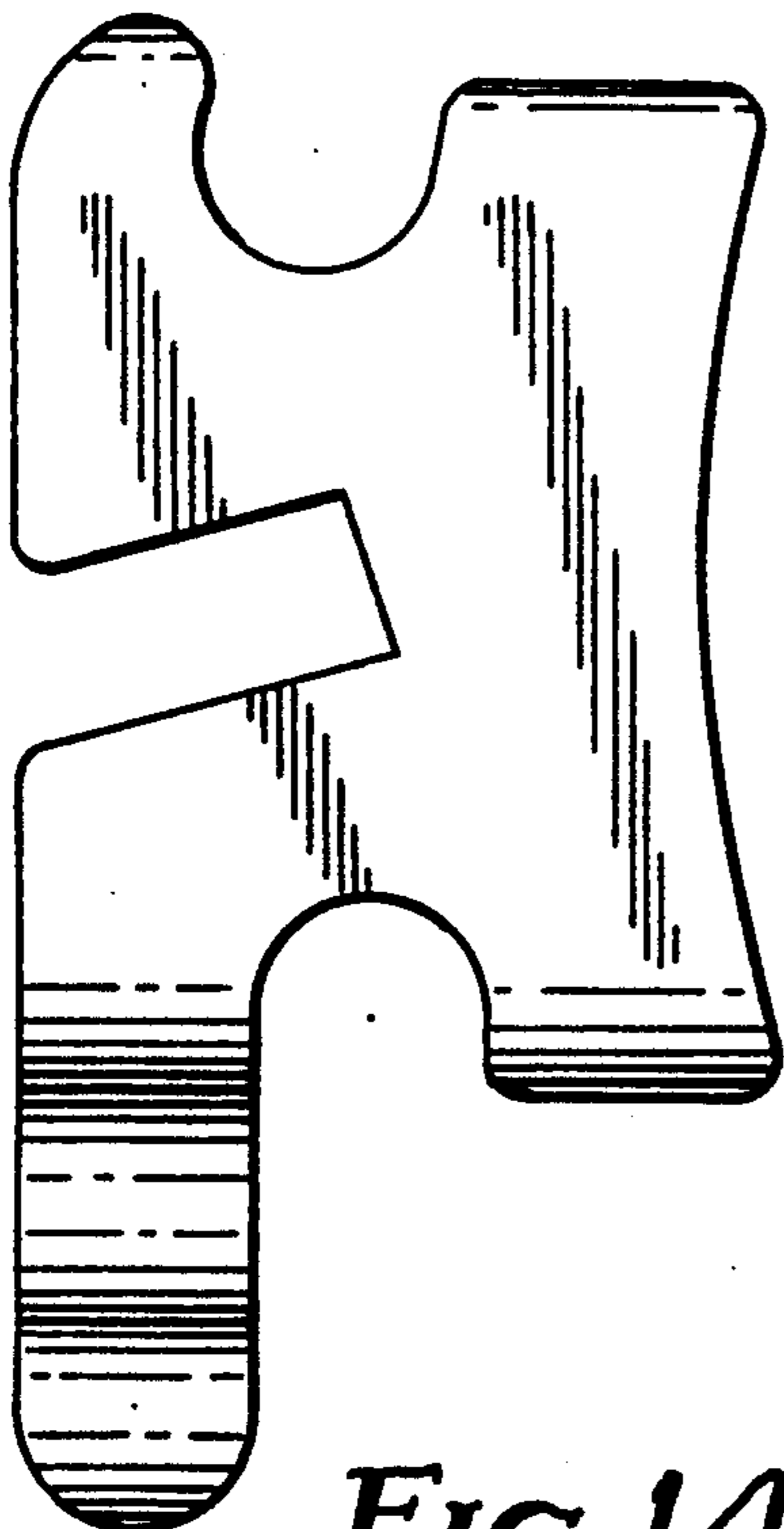




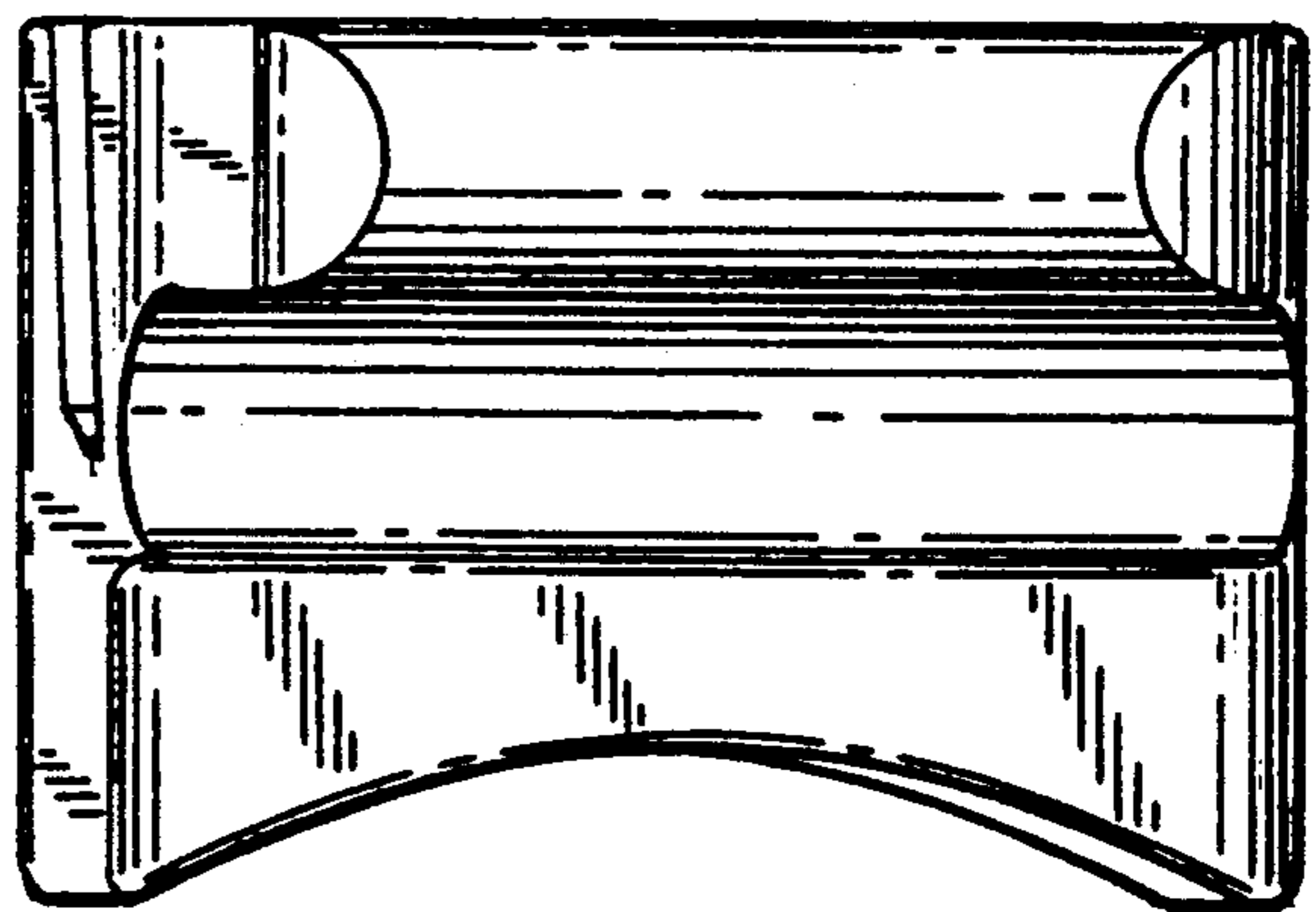
*FIG. 11*



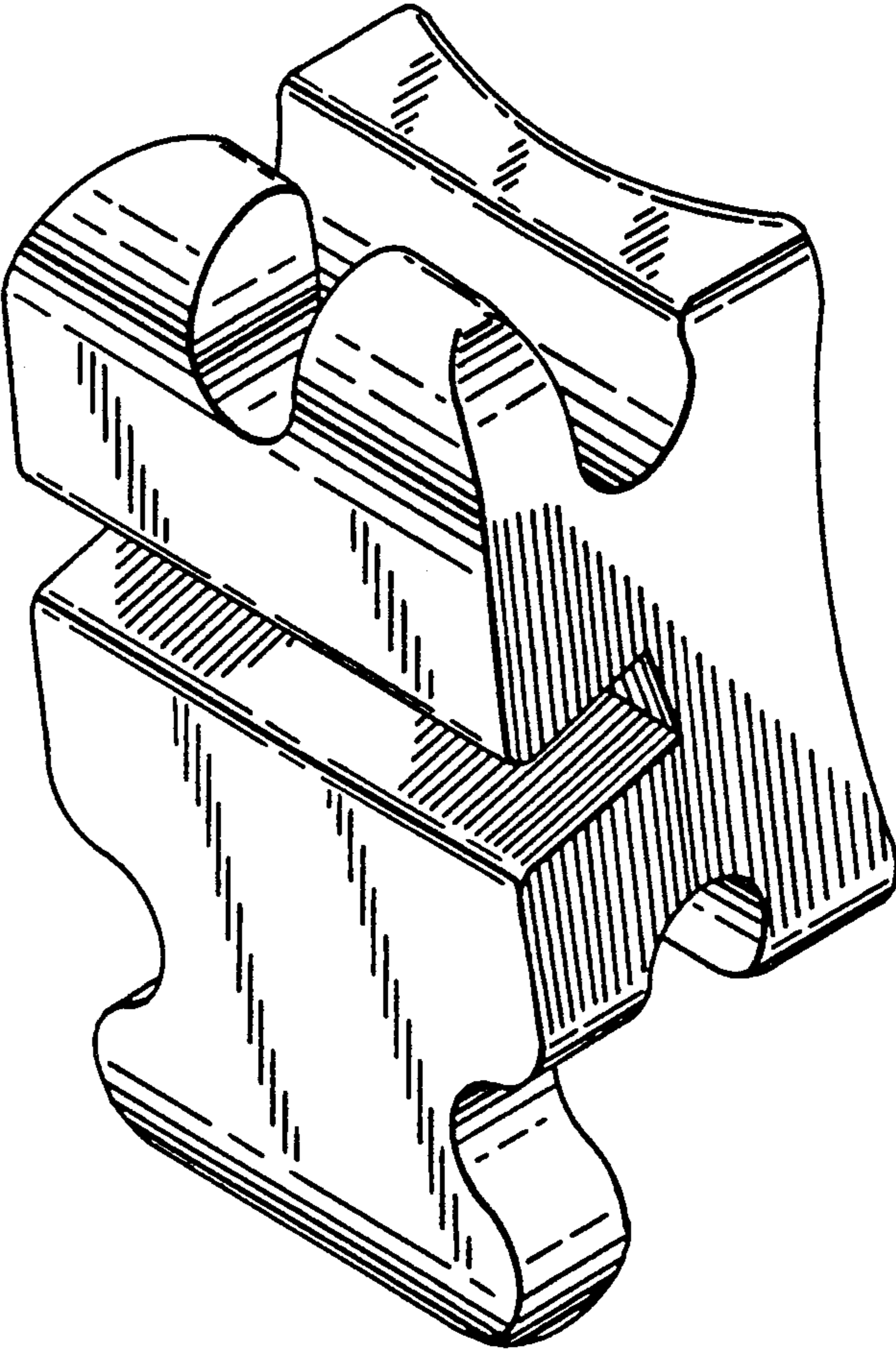
*FIG. 13*



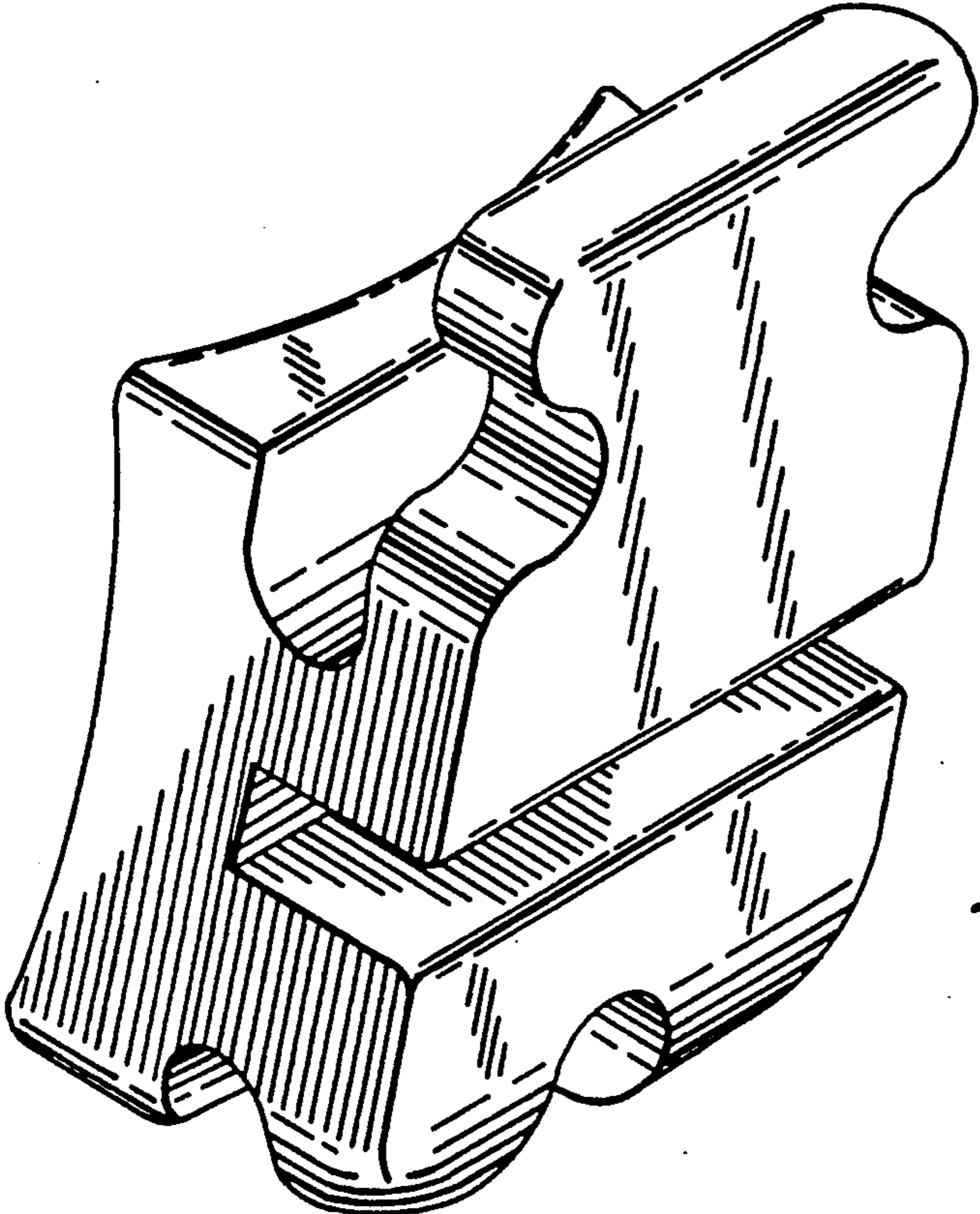
*FIG. 14*



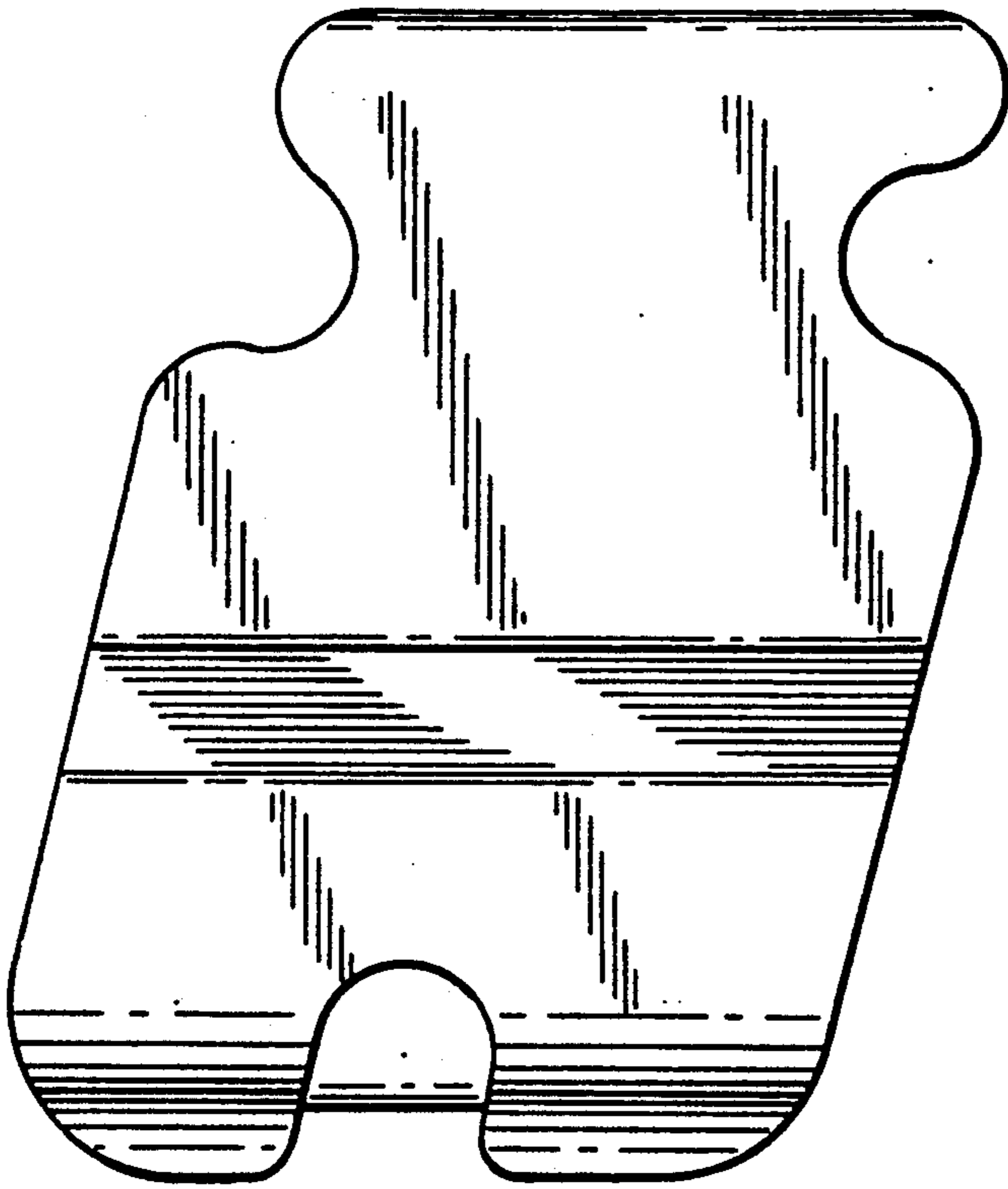
*FIG. 15*



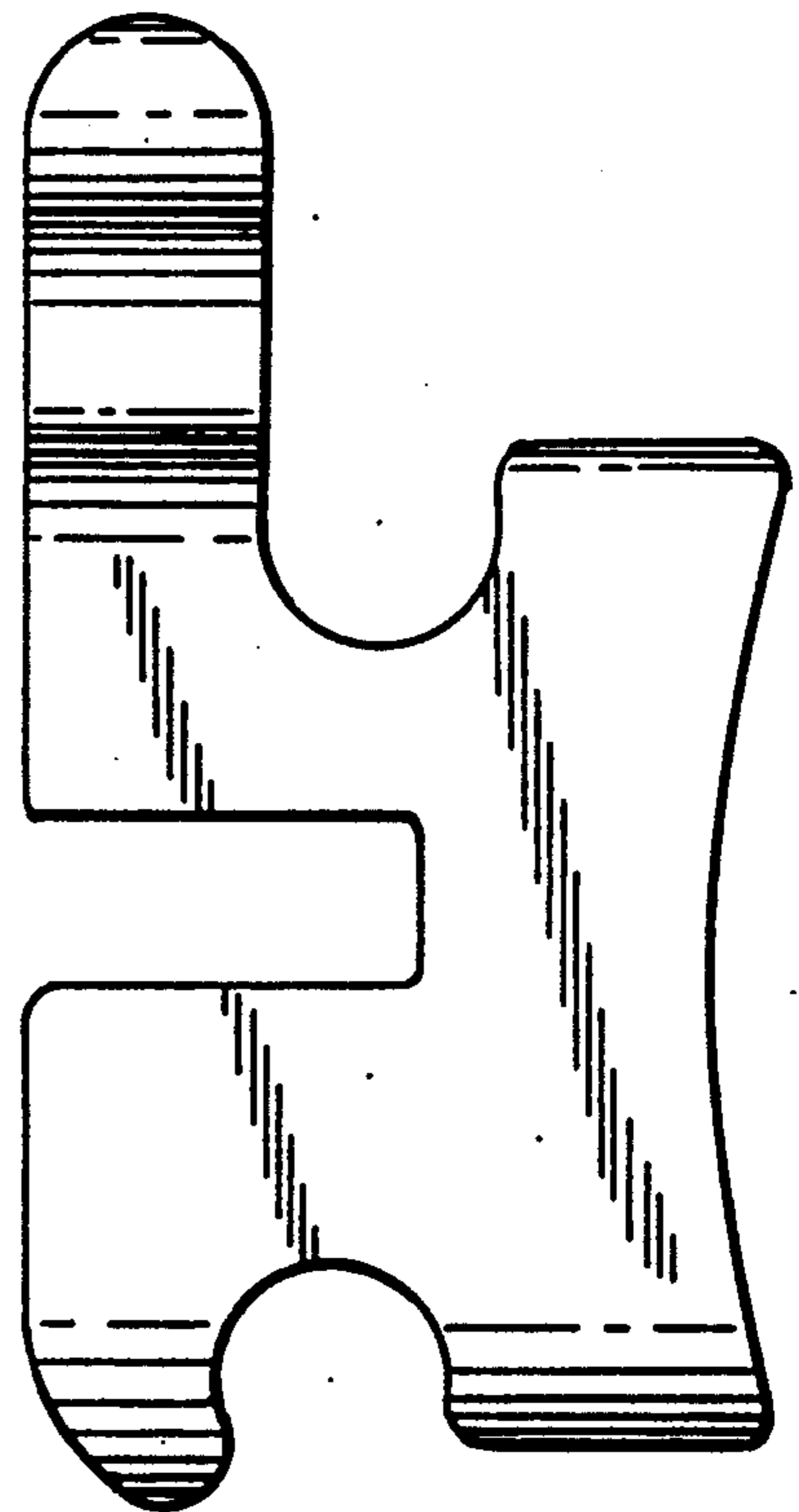
*FIG. 12*



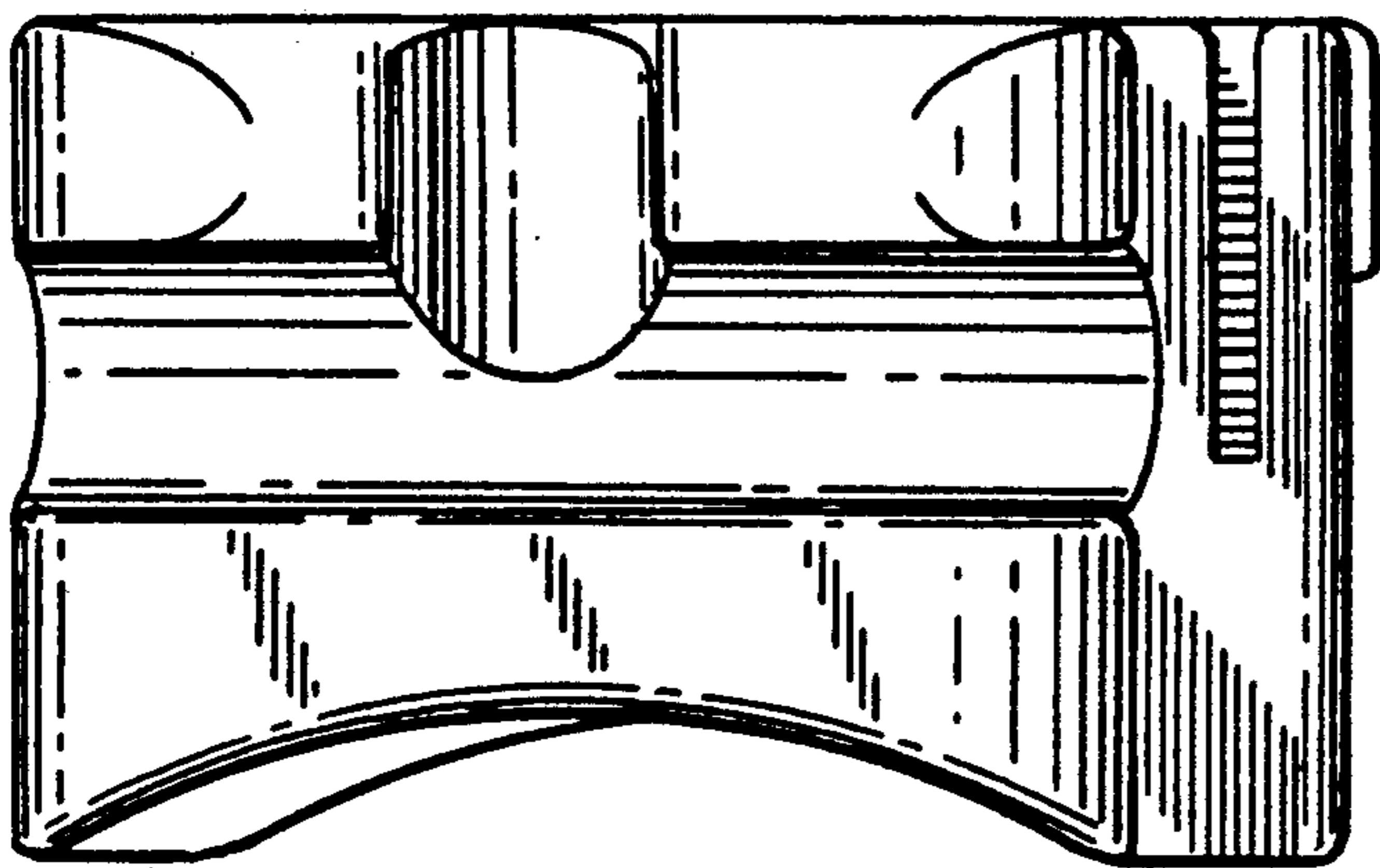
*FIG. 16*



*FIG. 17*



*FIG. 18*



*FIG. 19*