

[54] **DENTURE CONTAINER**

[76] **Inventor: Maxine L. Berland, 659 Oak St., Lakewood, Colo. 80215**

[**] **Term: 14 Years**

[21] **Appl. No.: 245,544**

[22] **Filed: Sep. 16, 1988**

[52] **U.S. Cl. D24/10**

[58] **Field of Search D24/10-16;
D3/30.1, 39, 100; D9/366; D28/76, 78, 83, 91;
433/213, 229, 167; 206/83, 368-369, 493, 63.5**

[56] **References Cited**

U.S. PATENT DOCUMENTS

D. 122,737	9/1940	Einzig	D24/10
D. 257,790	1/1981	Kesling	D24/10
2,102,643	3/1936	Pellegrini	206/83
4,775,318	10/1988	Breslin	206/63.5 X

OTHER PUBLICATIONS

Henry Schein Dental Catalog Item Den-Shur Clip, p. 17, 1982.

Primary Examiner—Susan J. Lucas
Assistant Examiner—M. H. Tung
Attorney, Agent, or Firm—Jerome J. Norris

[57] **CLAIM**

The ornamental design for a denture container, as shown and described.

DESCRIPTION

FIG. 1 is a top perspective view of a denture container showing my new design;
FIG. 2 is a top plan view thereof;
FIG. 3 is a front elevational view thereof;
FIG. 4 is a side elevational view thereof, the other side being a mirror image;
FIG. 5 is a rear elevational view thereof;
FIG. 6 is a bottom plan view thereof; and
FIG. 7 is a top plan view thereof, the container in an open position.

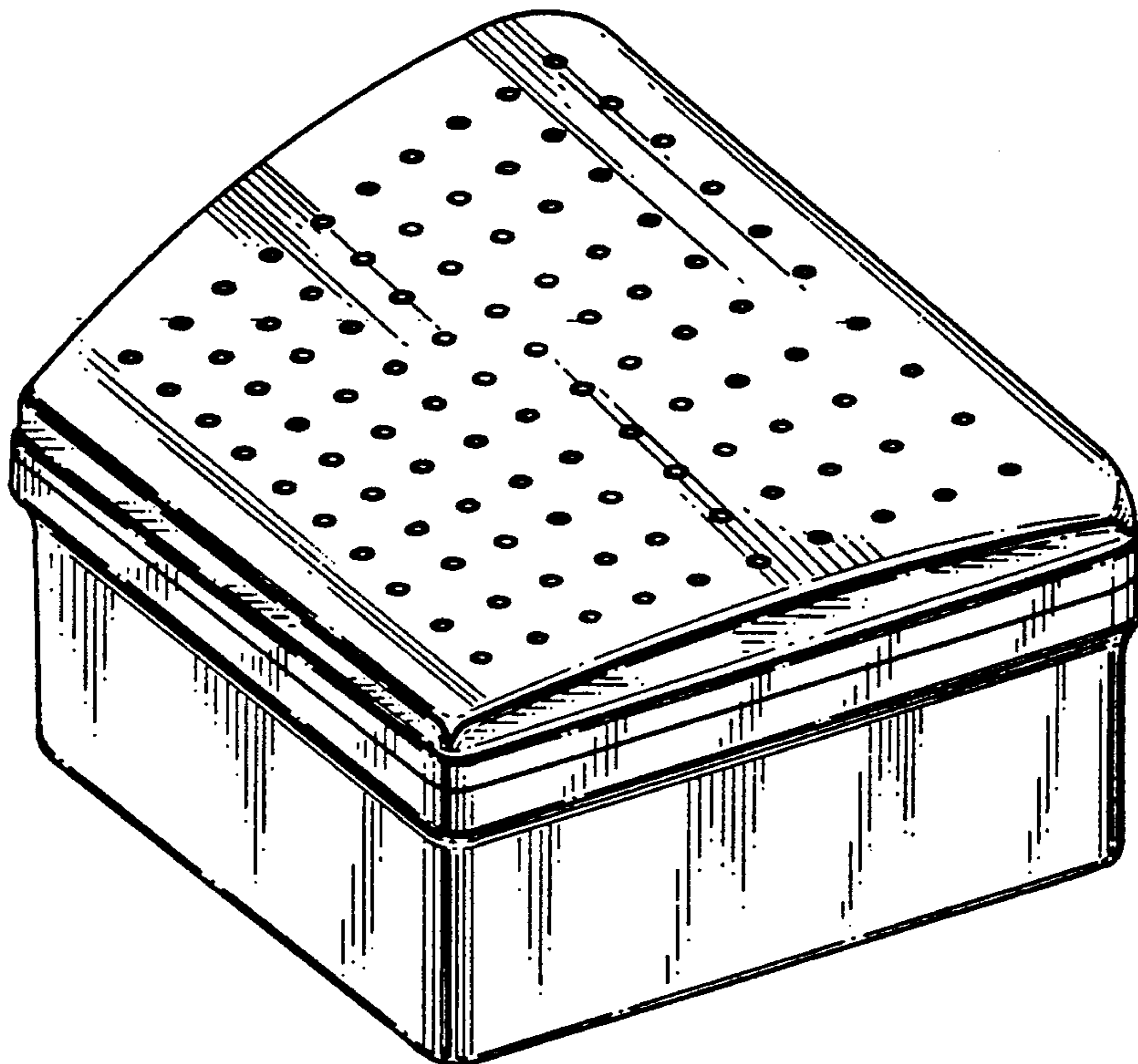


FIG. 1

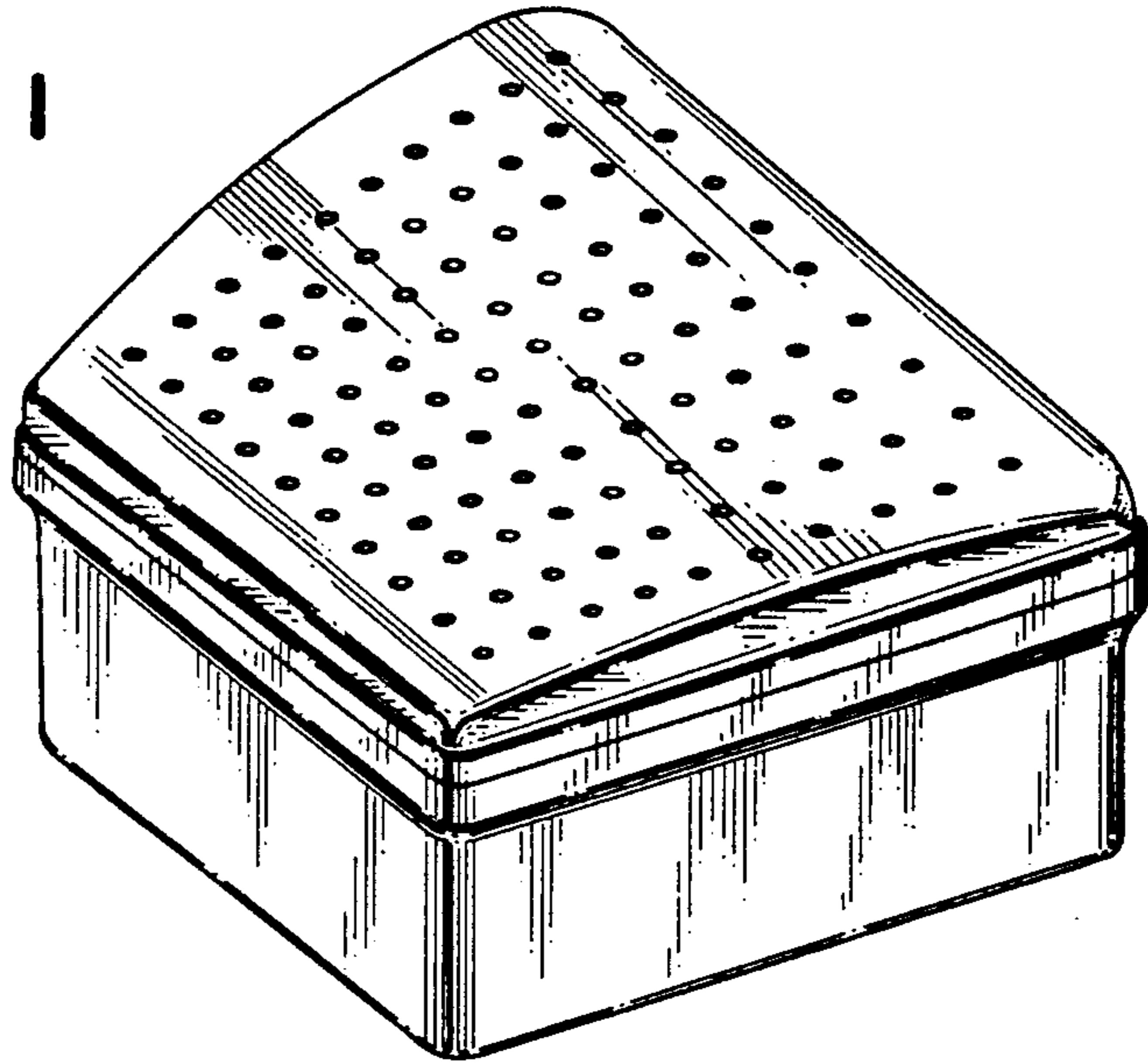


FIG. 2

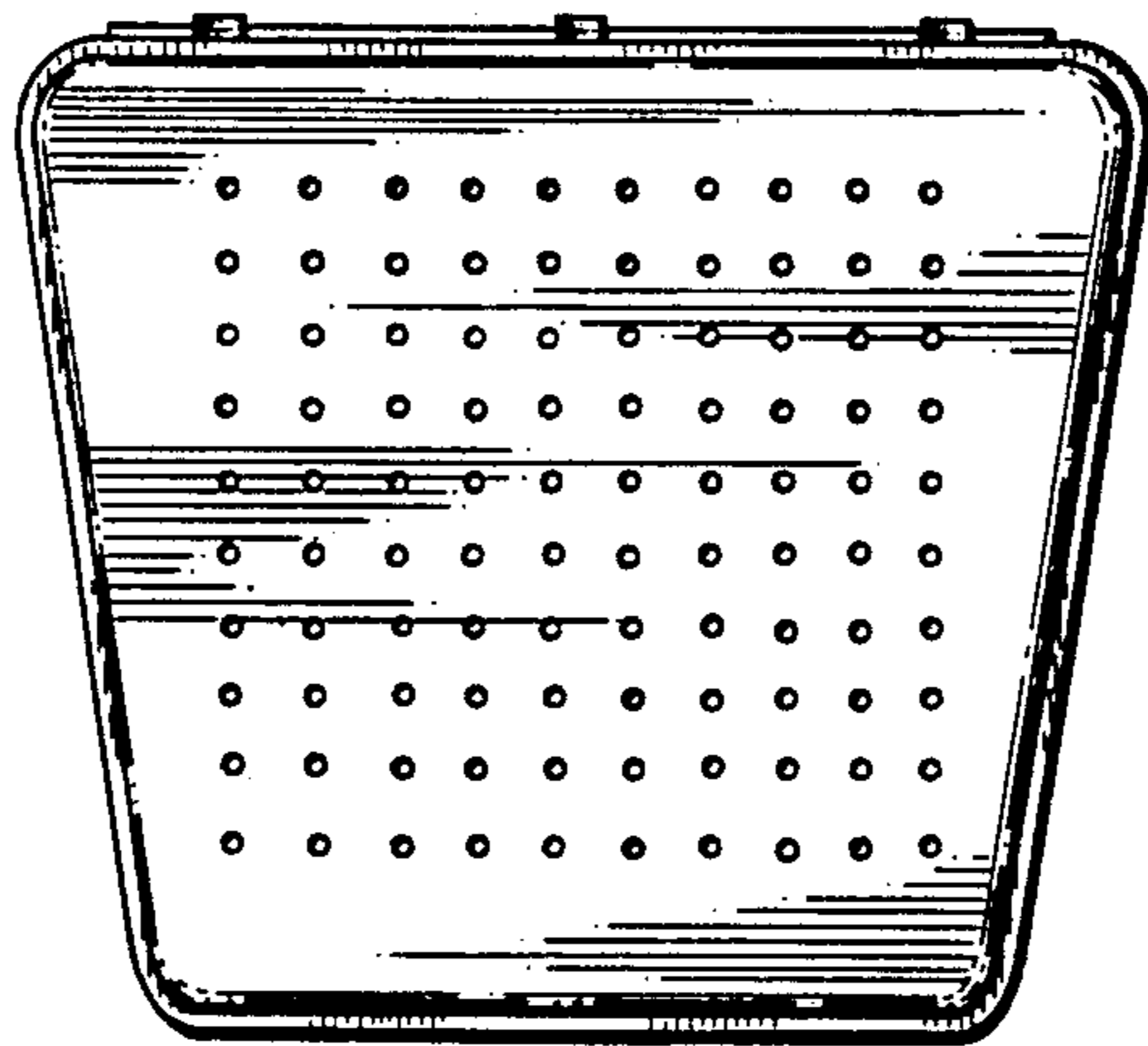


FIG. 3



FIG. 4



FIG. 5

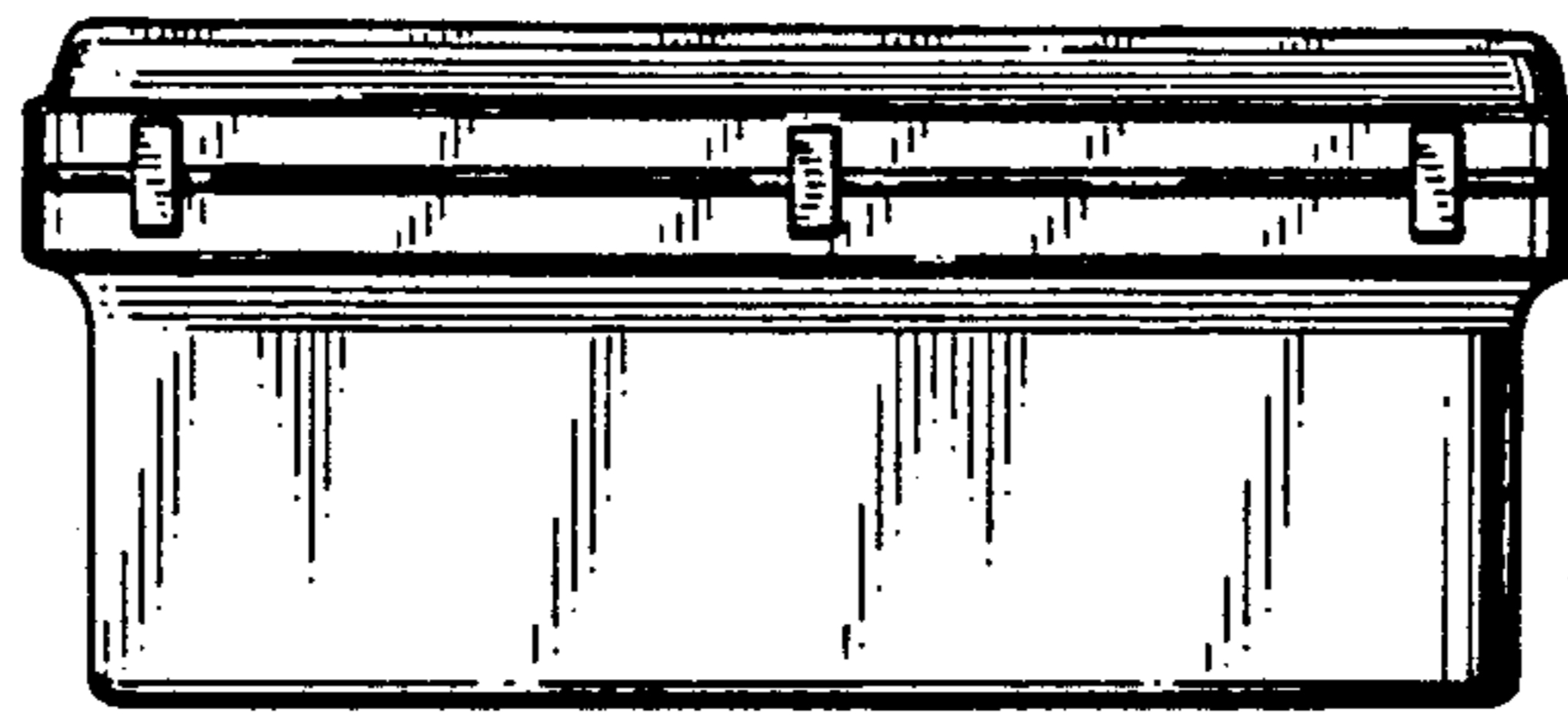


FIG. 6



FIG. 7

