

[54] **HORIZONTAL GEL ELECTROPHORESIS UNIT**

[75] **Inventors: Mark Berninger, Gaithersburg, Md.; Michael Schuette, Vienna, Va.**

[73] **Assignee: Life Technologies, Inc., Gaithersburg, Md.**

[**] **Term: 14 Years**

[21] **Appl. No.: 149,864**

[22] **Filed: Jan. 29, 1988**

[52] **U.S. Cl. D24/8**

[58] **Field of Search D24/8, 31; 204/299 R, 204/183.1**

4,358,358 11/1982 Rhodes .
 4,374,723 2/1983 Vesterberg .
 4,383,905 5/1983 Richman .
 4,415,418 11/1983 Turre et al. .
 4,545,878 10/1985 Bridges .
 4,574,040 3/1986 Delony et al. .
 4,576,693 3/1986 Kreisher et al. .
 4,576,702 3/1986 Peck et al. .
 4,576,703 3/1986 Peck et al. .
 4,588,491 5/1986 Kreisher et al. .
 4,618,408 10/1986 Malavarca et al. .
 4,622,123 11/1986 Nejame, Jr. .
 4,624,768 11/1986 Yoshida et al. .
 4,657,655 4/1987 Smoot et al. .
 4,715,942 12/1987 Tezuka et al. D24/8
 4,773,984 9/1988 Flesher et al. D24/8 X

[56] **References Cited**

U.S. PATENT DOCUMENTS

D. 282,352 1/1986 Hoefler et al. D24/8 X
 D. 303,007 8/1989 Flesher et al. D24/8
 D. 303,012 8/1989 Flesher et al. D24/8 X
 3,129,158 4/1964 Raymond et al. .
 3,222,053 12/1965 Severdia .
 3,677,930 7/1972 Meshbane et al. .
 3,819,505 6/1974 Parent et al. .
 3,847,773 11/1974 Snyder .
 3,932,265 1/1976 Hoefler .
 3,969,218 7/1976 Scott .
 3,989,612 11/1976 Kragt et al. .
 4,035,377 7/1977 Detroy .
 4,049,534 9/1977 Posner .
 4,061,560 12/1977 Hannig et al. .
 4,061,561 12/1977 Fletcher et al. .
 4,123,346 10/1978 Ploix .
 4,124,470 11/1978 Dahms .
 4,142,960 3/1979 Hahn et al. .
 4,151,065 4/1979 Kaplan et al. .
 4,154,669 5/1979 Goetz .
 4,187,160 2/1980 Zimmermann .
 4,190,510 2/1980 Larbig .
 4,194,963 3/1980 Denckla .
 4,218,302 8/1980 Dalisa et al. .
 4,234,400 11/1980 Kaplan et al. .
 4,284,491 8/1981 Vesterberg .
 4,289,596 9/1981 Satoh .
 4,292,161 9/1981 Hoefler et al. .
 4,323,439 4/1982 O'Farrell .
 4,325,796 4/1982 Hoefler et al. .
 4,337,131 6/1982 Vesterberg .

FOREIGN PATENT DOCUMENTS

552373 3/1977 U.S.S.R. .

OTHER PUBLICATIONS

A *Hoefler Scientific Instruments* catalog, pp. 26-33, [copyright 1983 handwritten].

Primary Examiner—A. Hugo Word
Assistant Examiner—Stella M. Reid
Attorney, Agent, or Firm—Saidman, Sterne, Kessler & Goldstein

[57] **CLAIM**

The ornamental design for a horizontal gel electrophoresis unit, as shown.

DESCRIPTION

FIG. 1 is a front left perspective view of a horizontal gel electrophoresis unit showing our new design, with the lid in open position;
 FIG. 2 is another front left perspective view thereof;
 FIG. 3 is a front left perspective view thereof, with the lid in closed position;
 FIG. 4 is another front perspective view thereof;
 FIG. 5 is a right rear perspective view thereof, with the lid in open position;
 FIG. 6 is another right rear perspective view thereof, with the lid in closed position;
 FIG. 7 is a top plan view thereof, with the lid in open position;

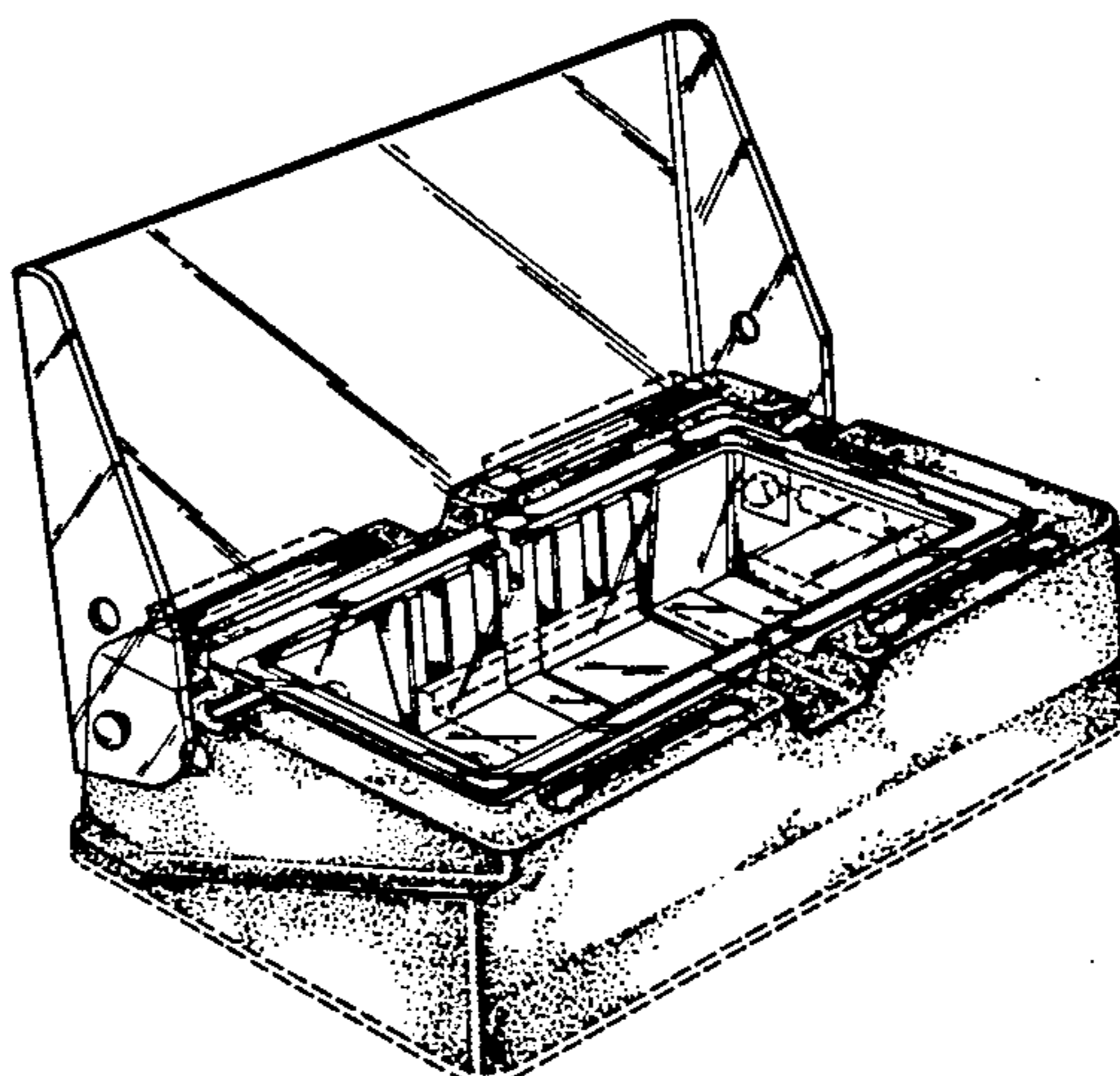


FIG. 8 is another top plan view thereof, with the lid in closed position;

FIG. 9 is a front elevational view thereof, with the lid in open position;

FIG. 10 is another front elevational view thereof, with the lid in closed position;

FIG. 11 is a left side elevational view thereof, with the lid in open position;

FIG. 12 is another left side elevational view thereof, with the lid in closed position;

FIG. 13 is a right side elevational view thereof, with the lid in open position;

FIG. 14 is another right side elevational view thereof, with the lid in closed position;

FIG. 15 is a rear elevational view thereof, with the lid in open position; and

FIG. 16 is another rear elevational view thereof, with the lid in closed position.

The broken line showing of the combs, wedges, gel deck and banana plug and electrode assembly with accompanying electrical connections and mechanical attachments in **FIGS. 1-16** and the bottom of the article in **FIGS. 1-6**, and **9-16**, is for illustrative purposes only and forms no part of the claimed design.

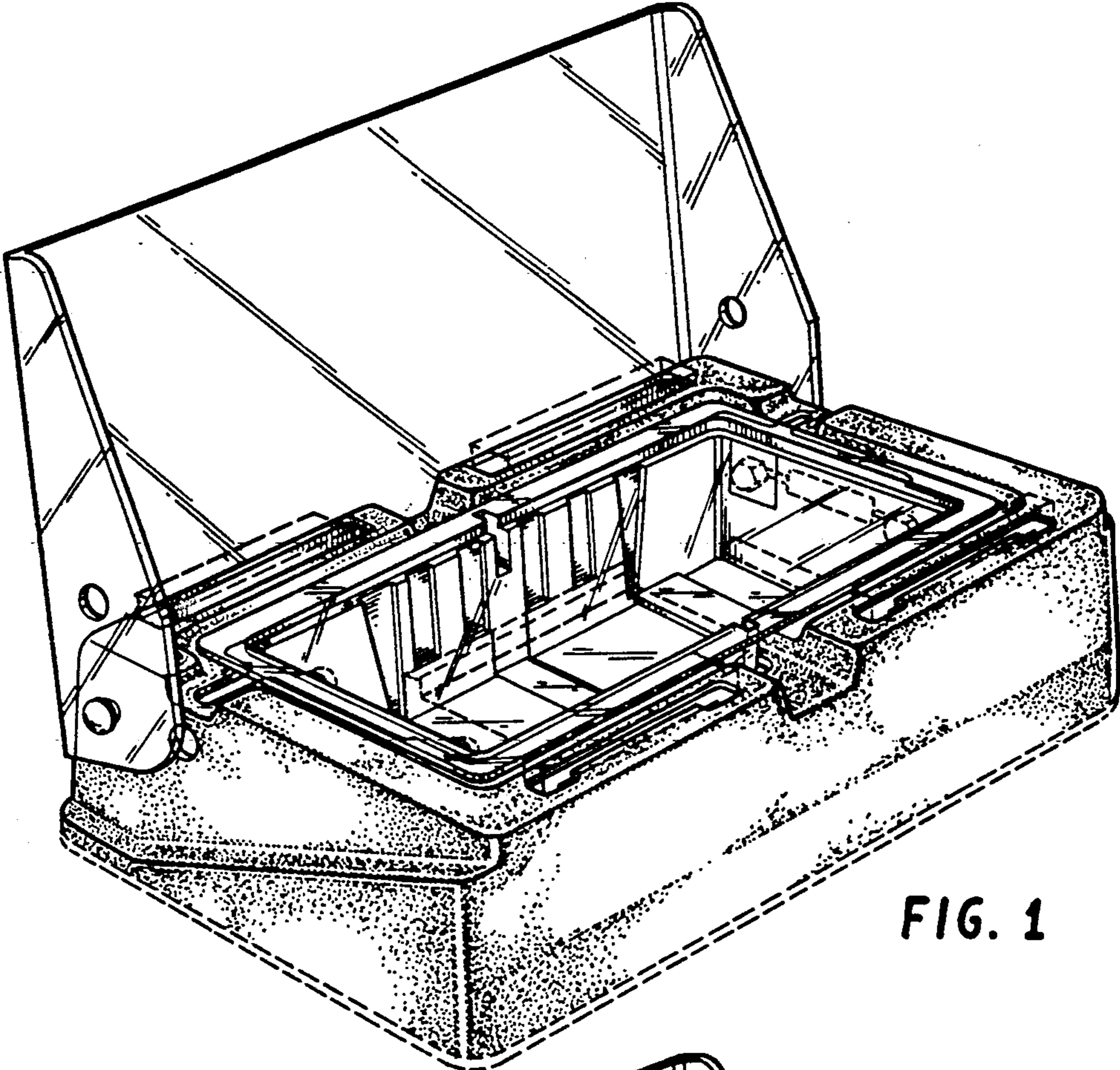


FIG. 1

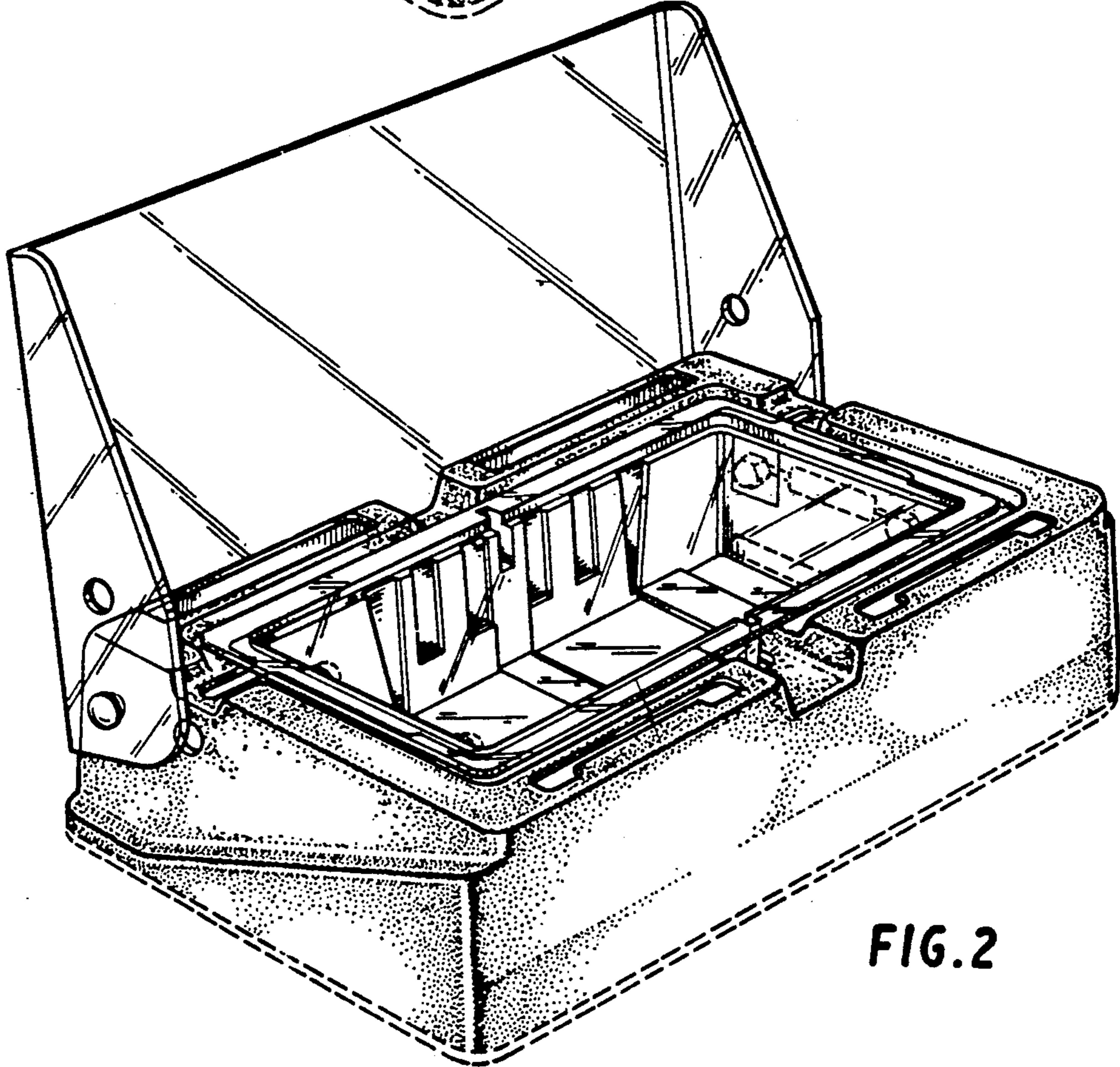


FIG. 2

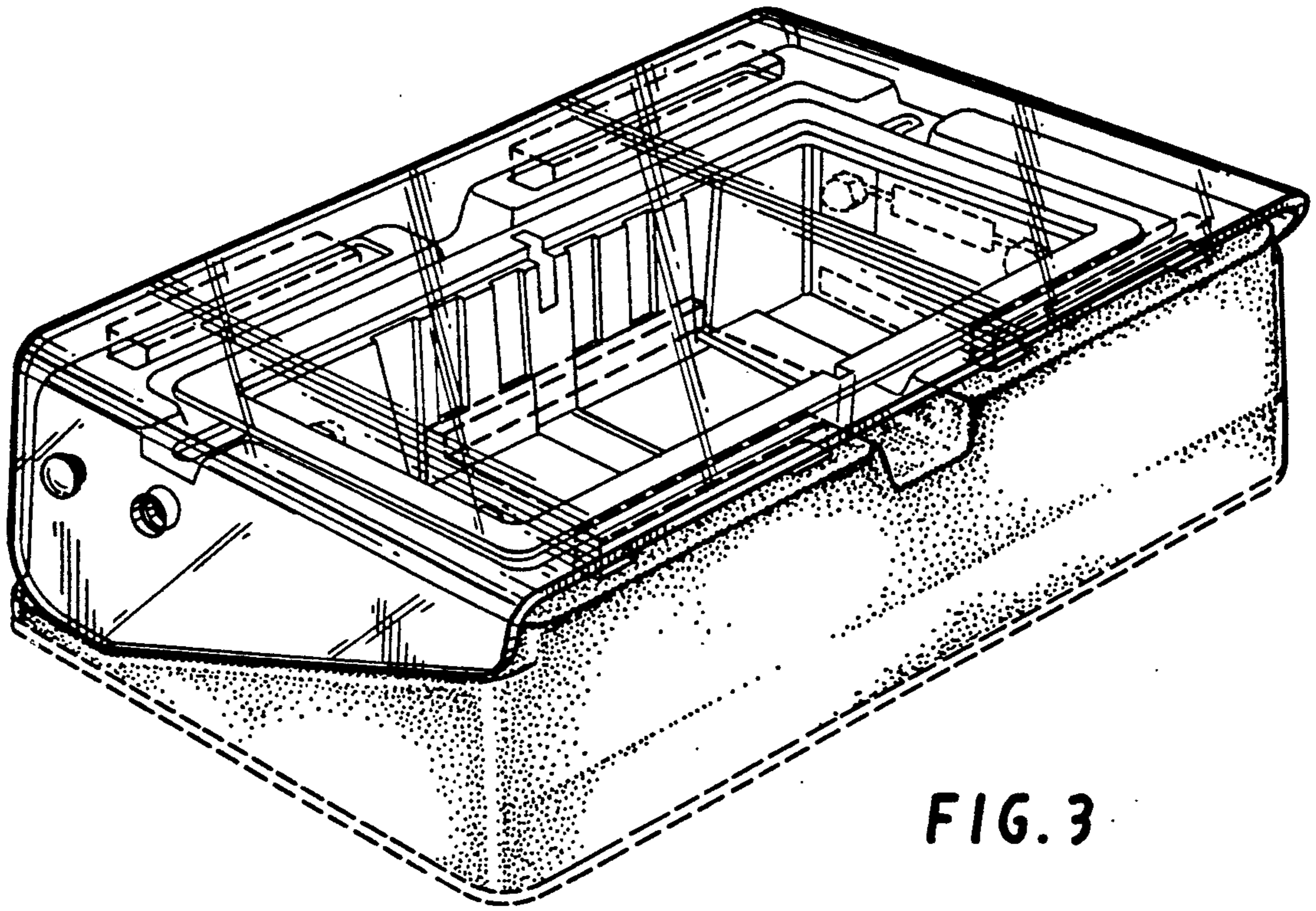


FIG. 3

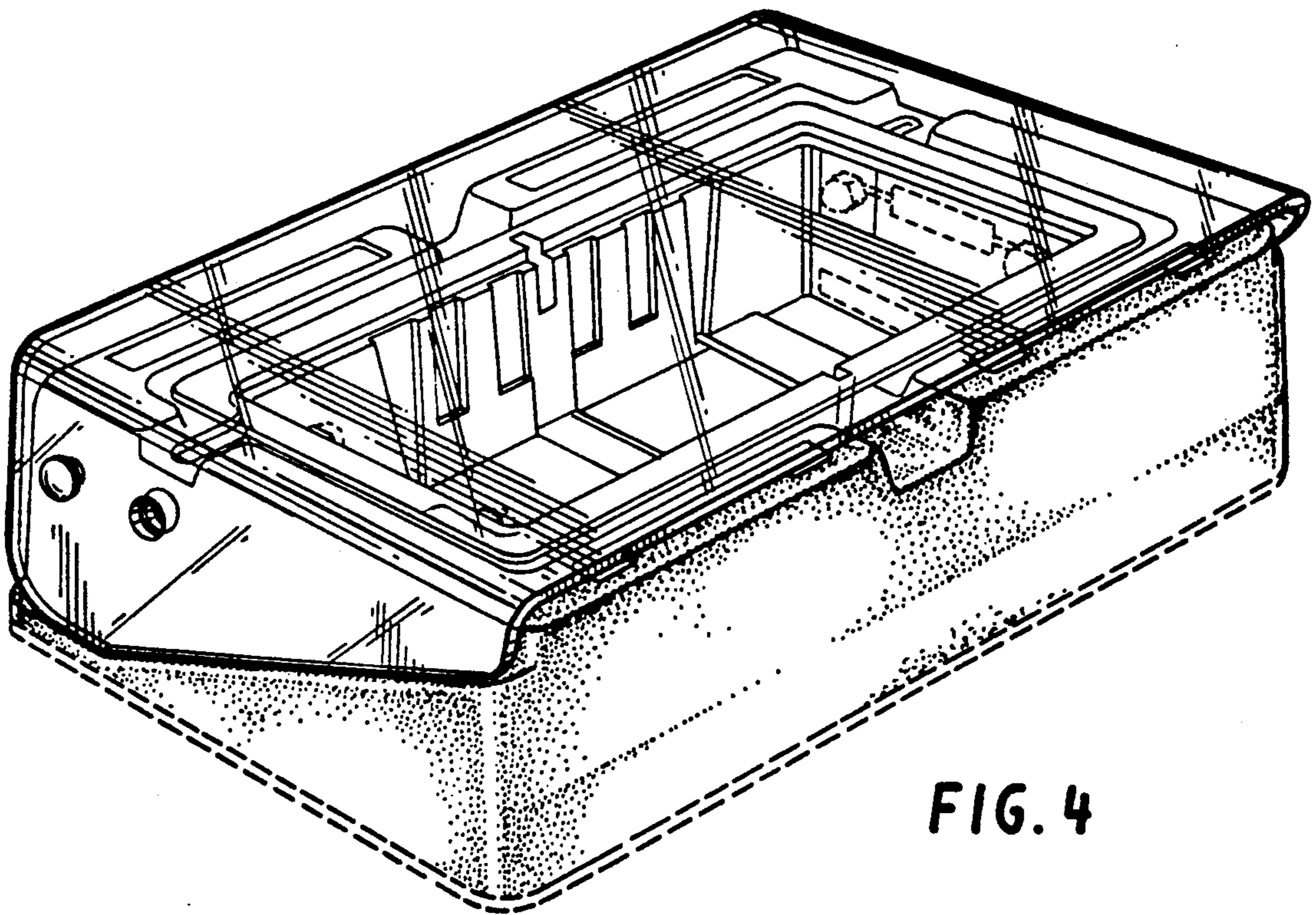


FIG. 4

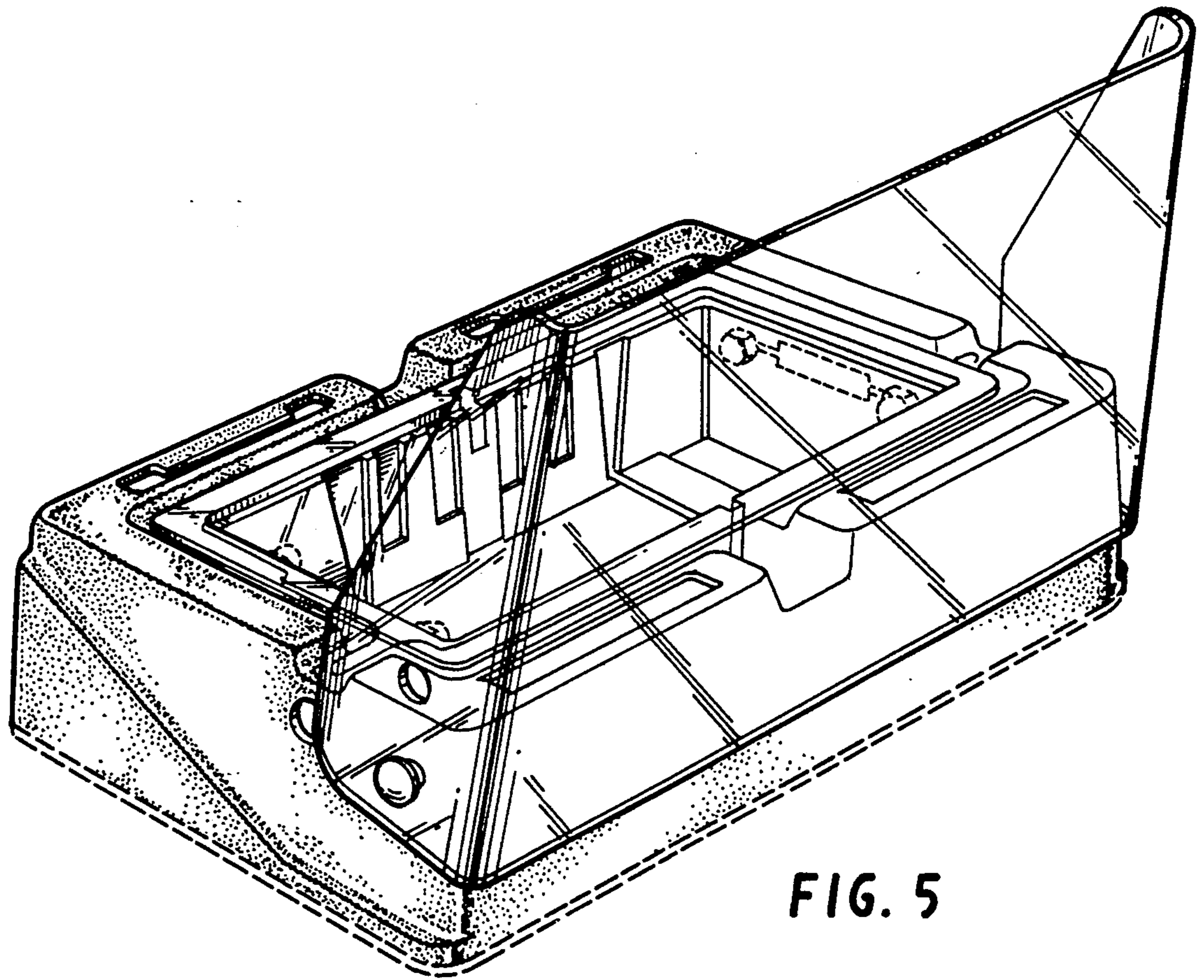


FIG. 5

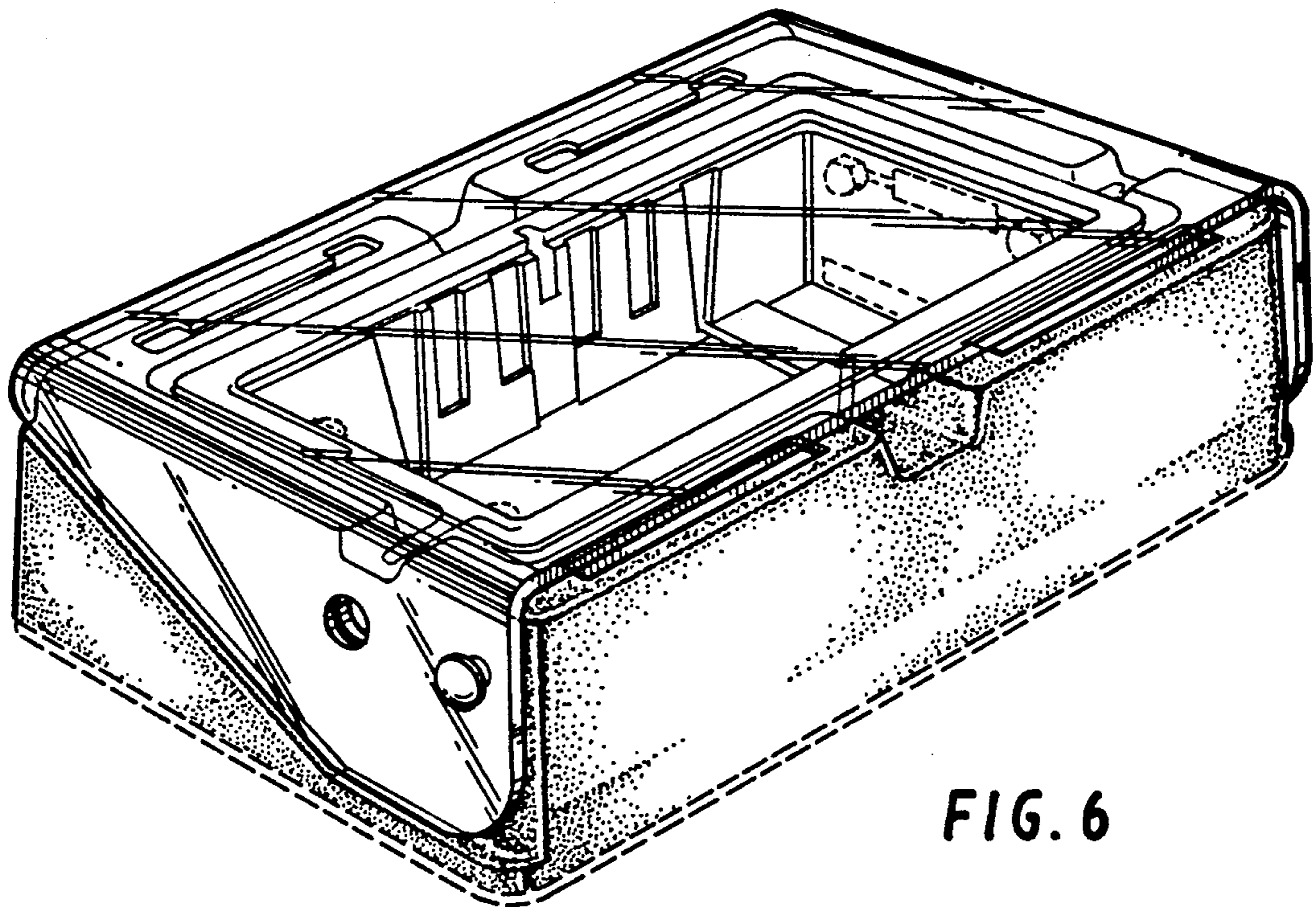


FIG. 6

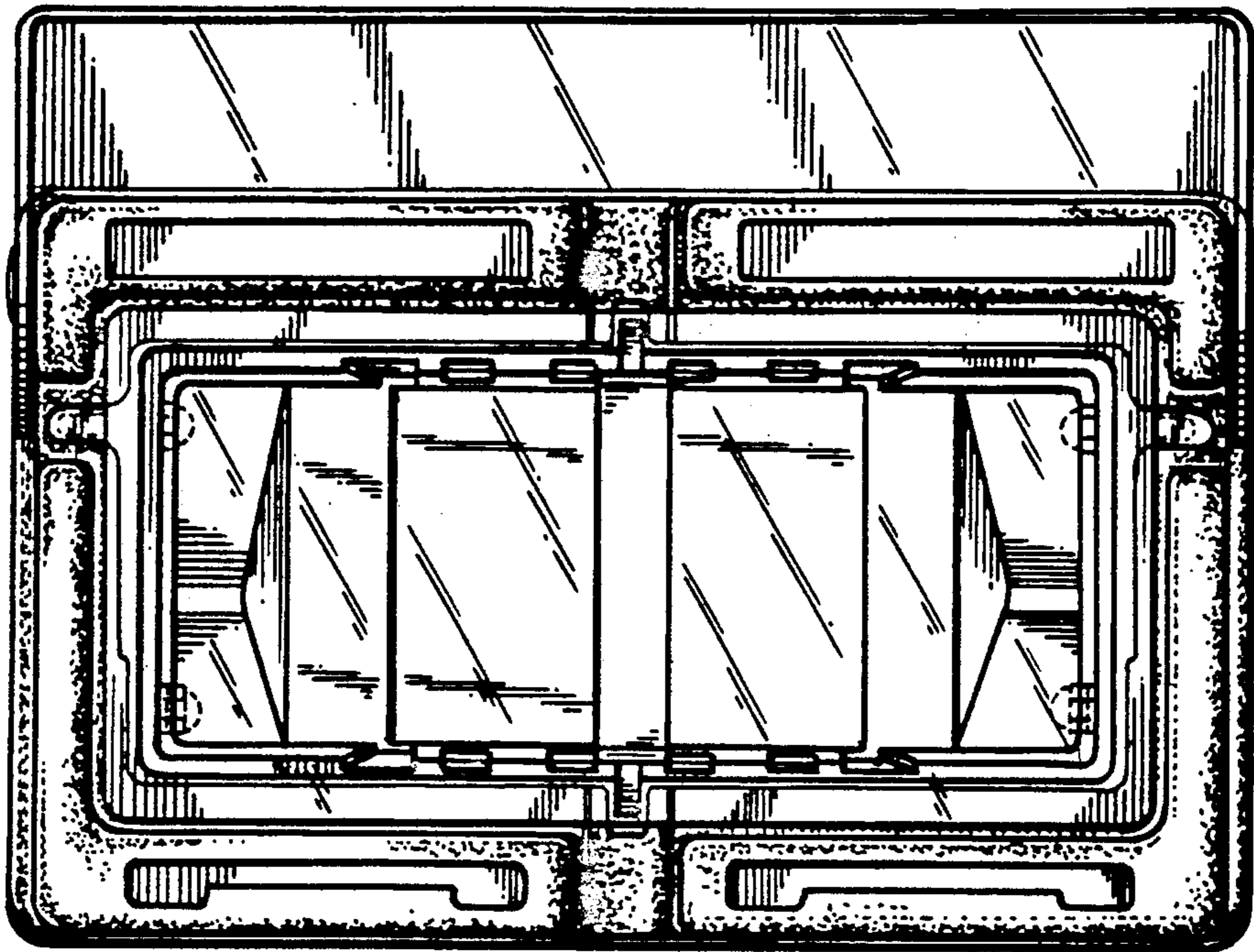


FIG. 7

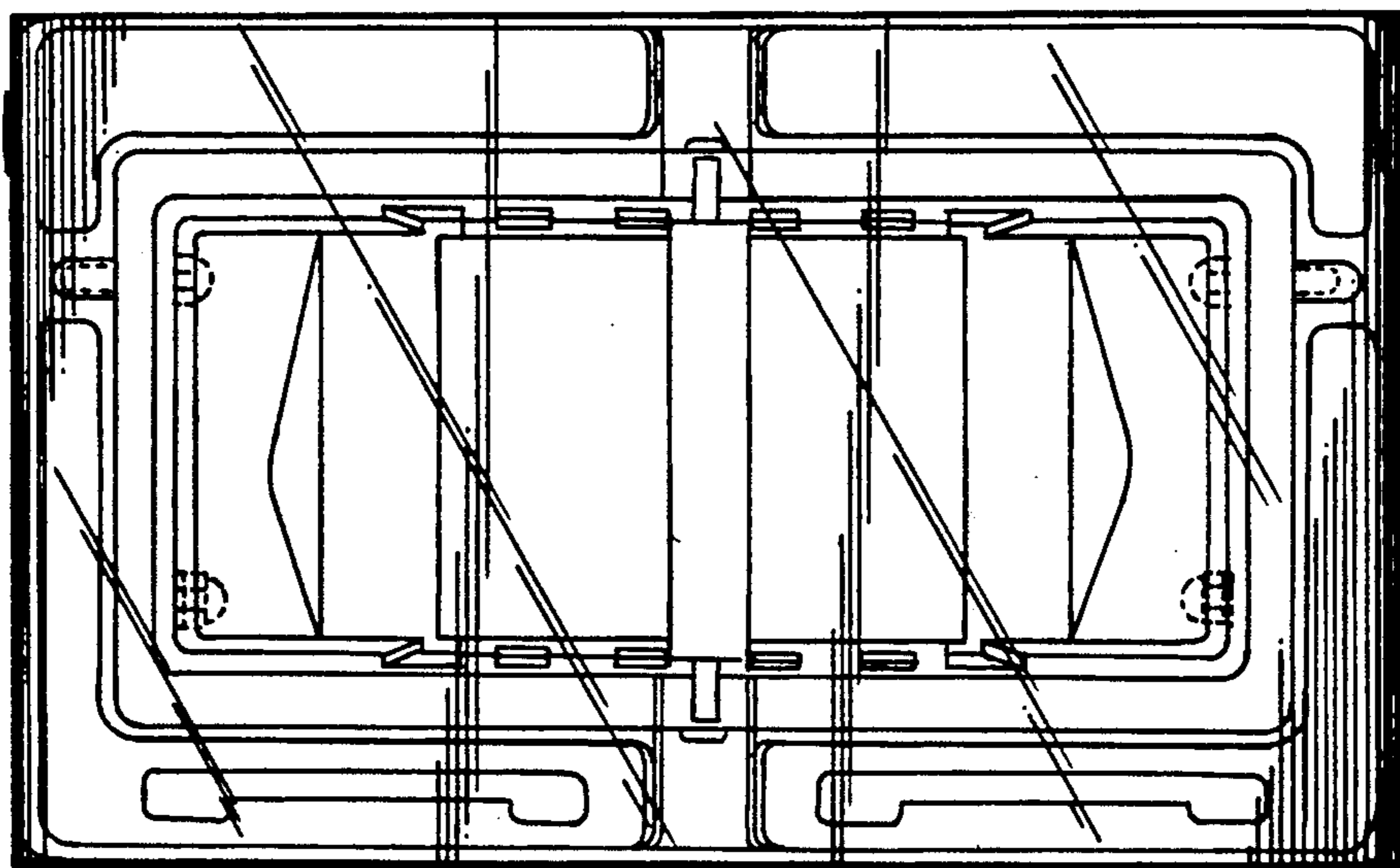


FIG. 8

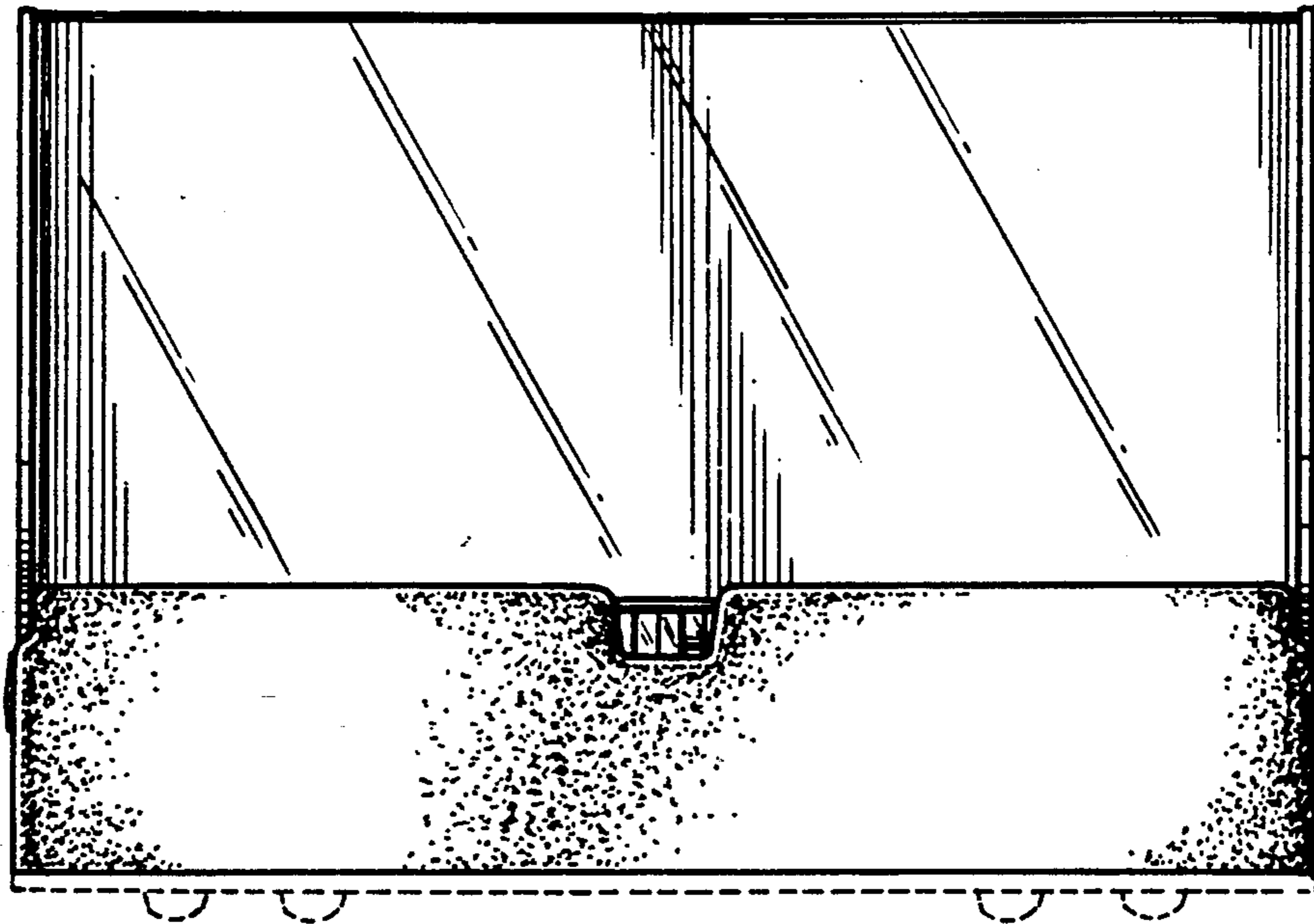


FIG. 9

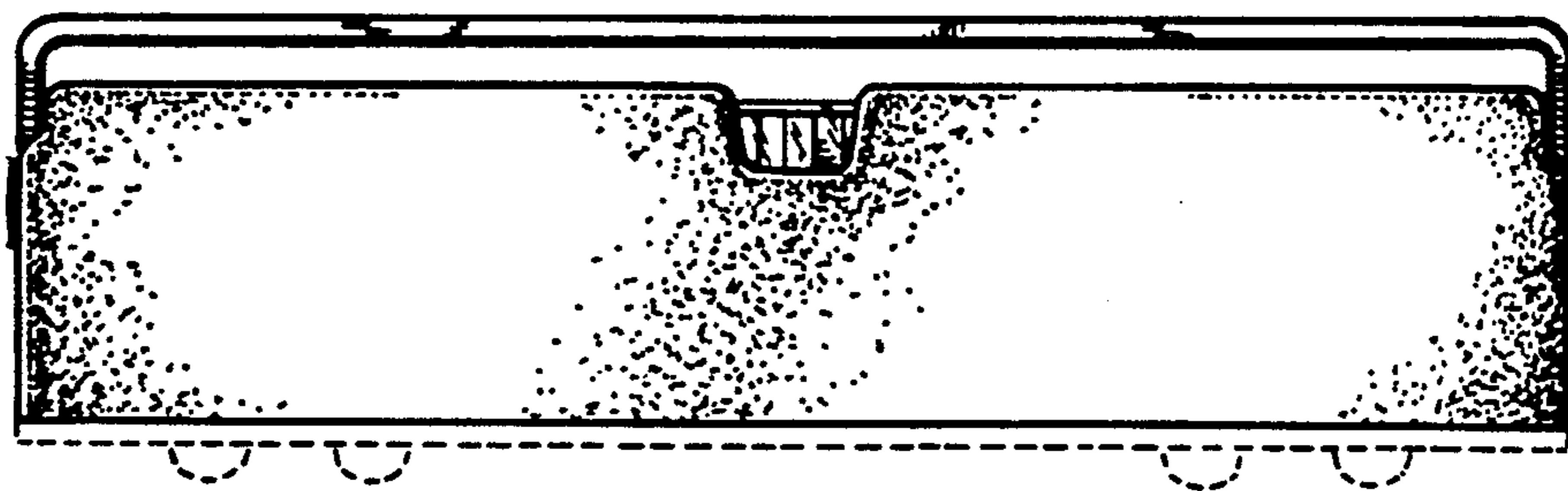


FIG. 10

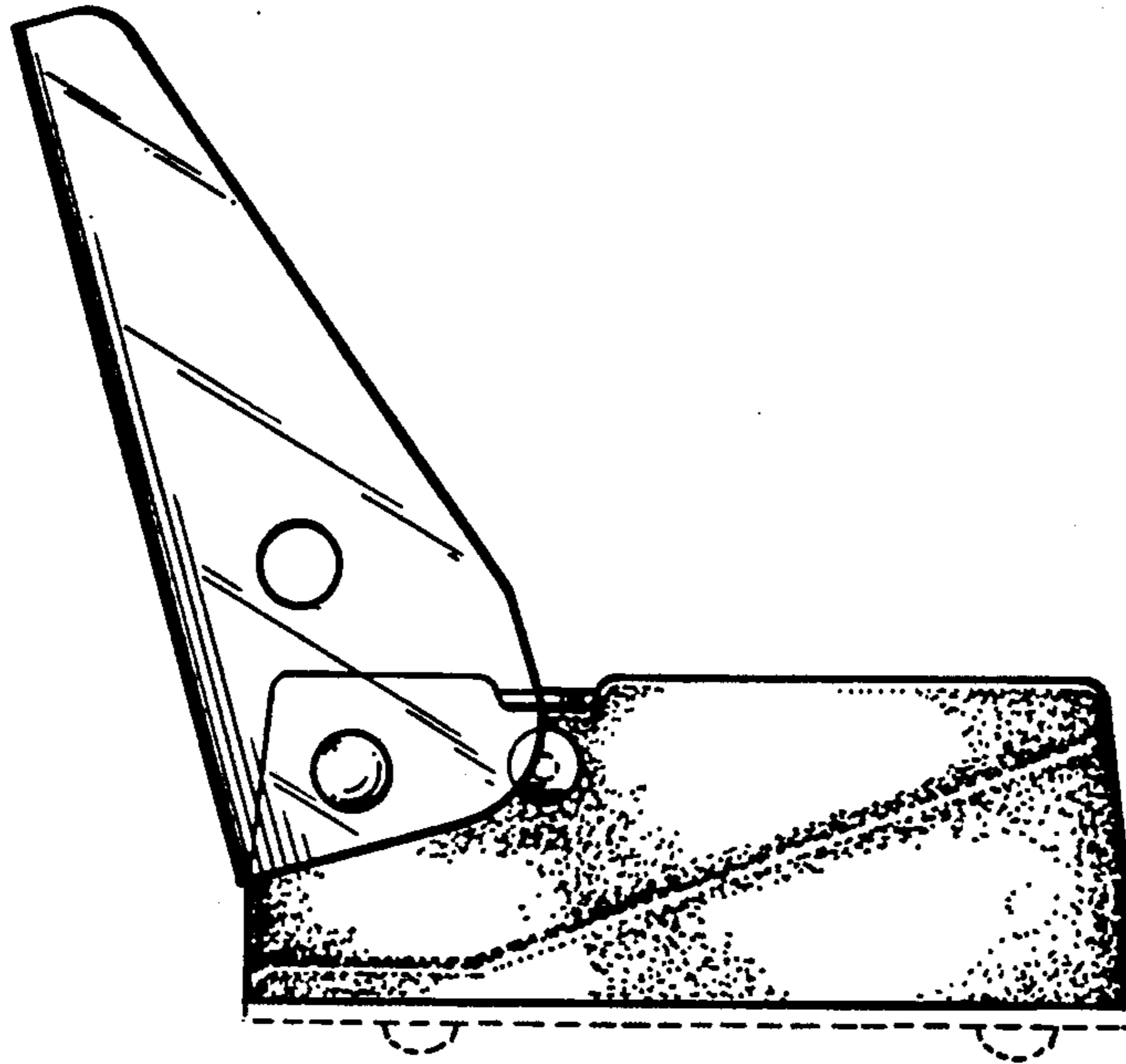


FIG. 11

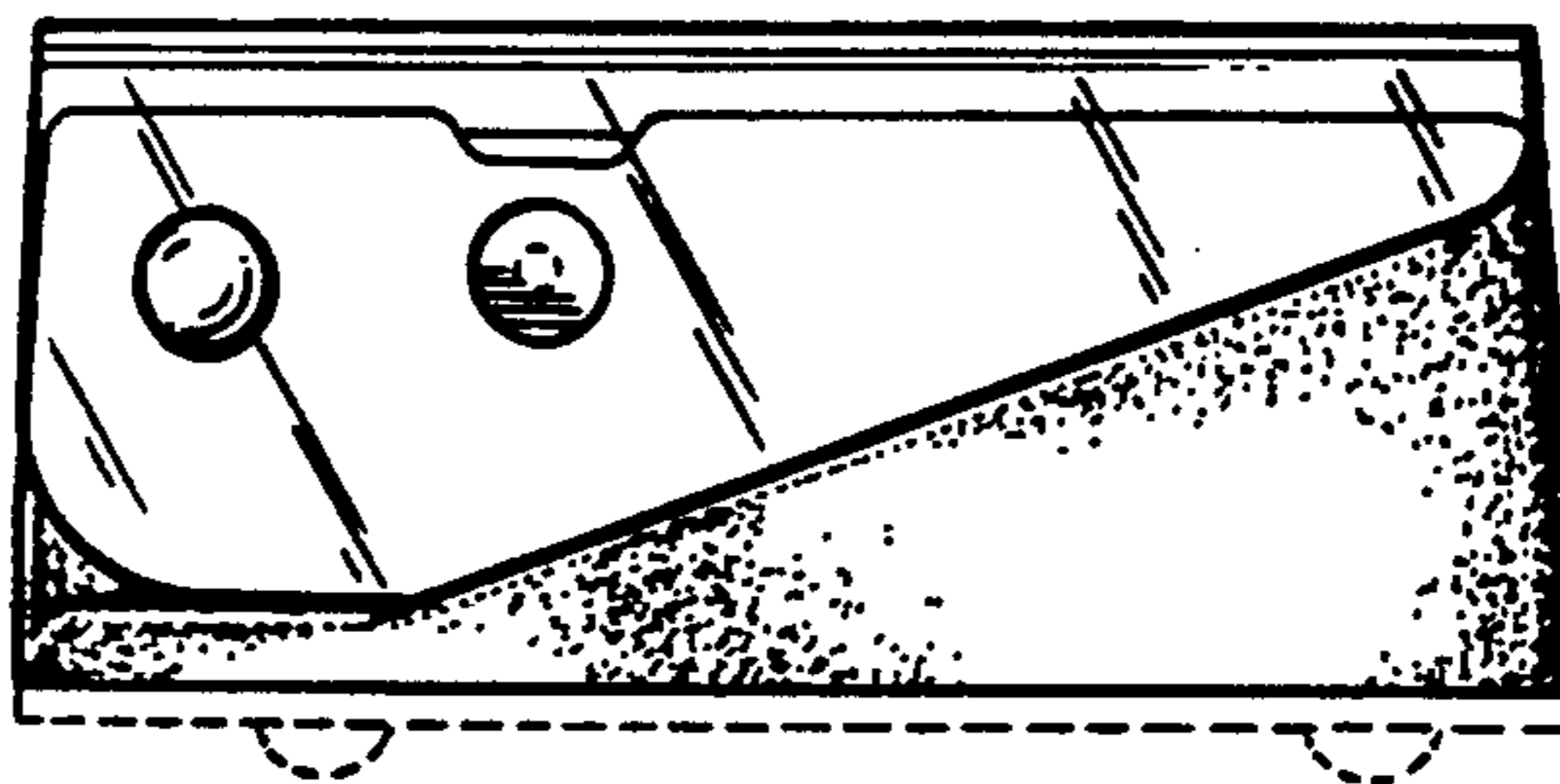


FIG. 12

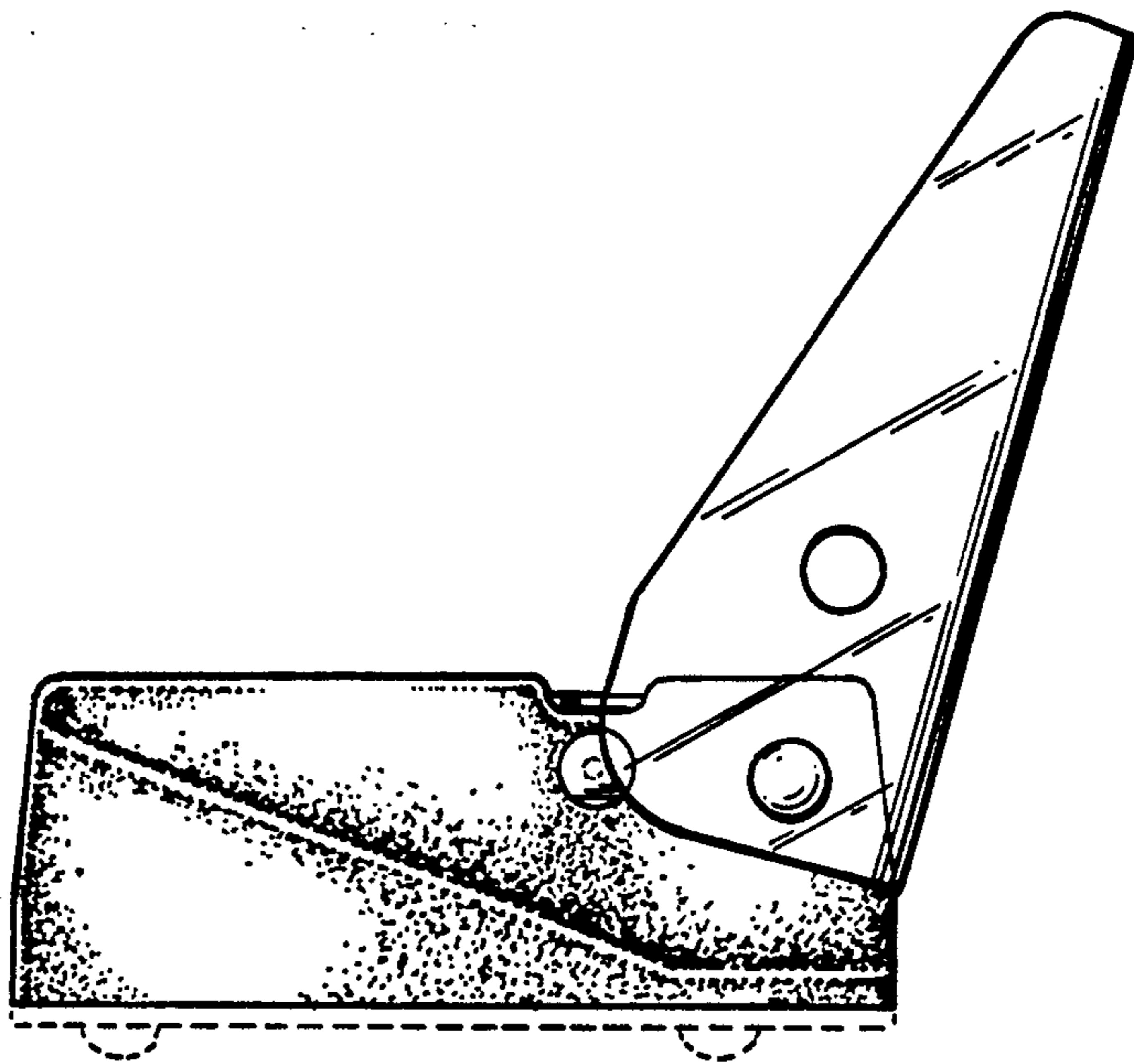


FIG. 13

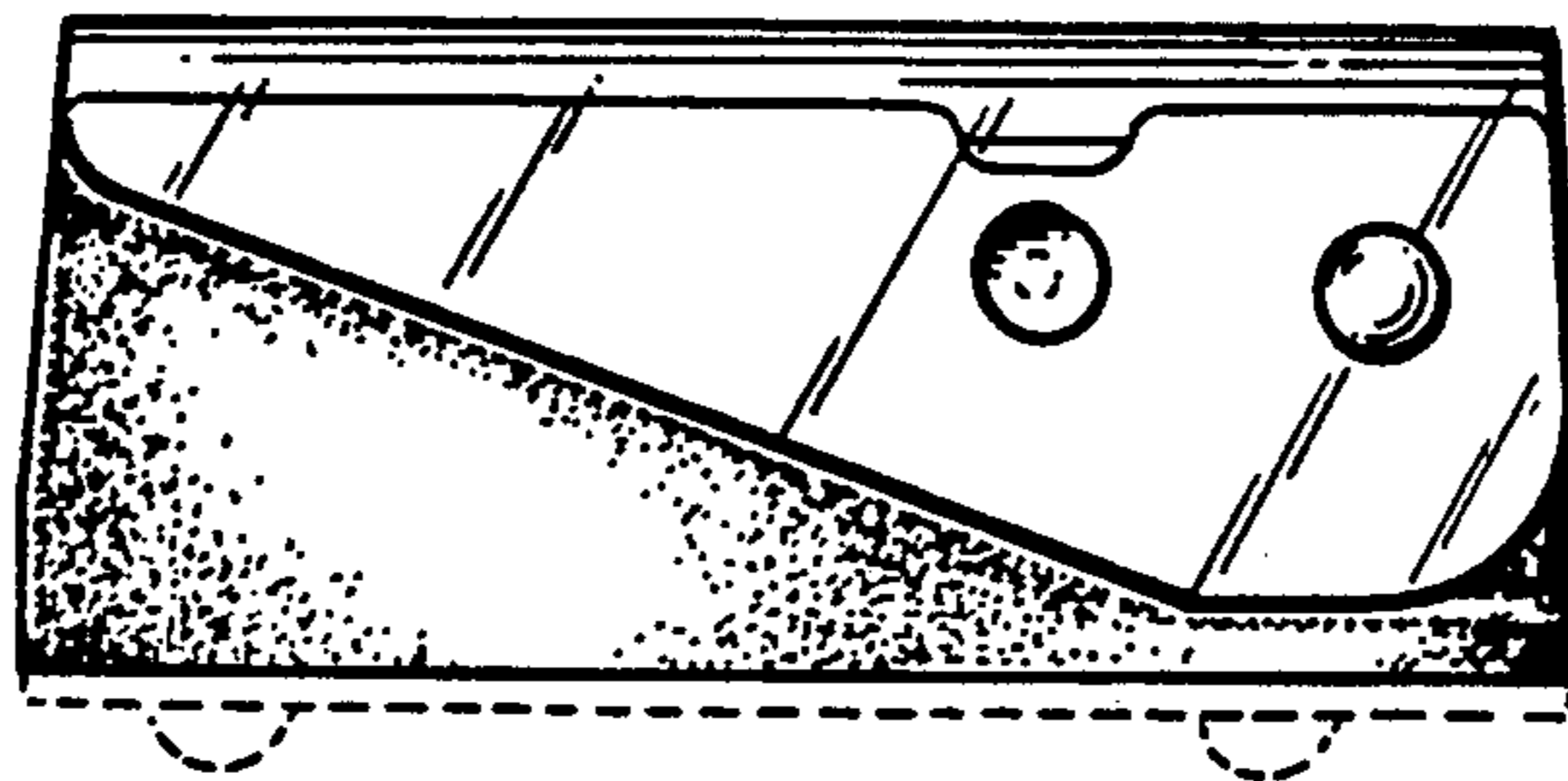


FIG. 14

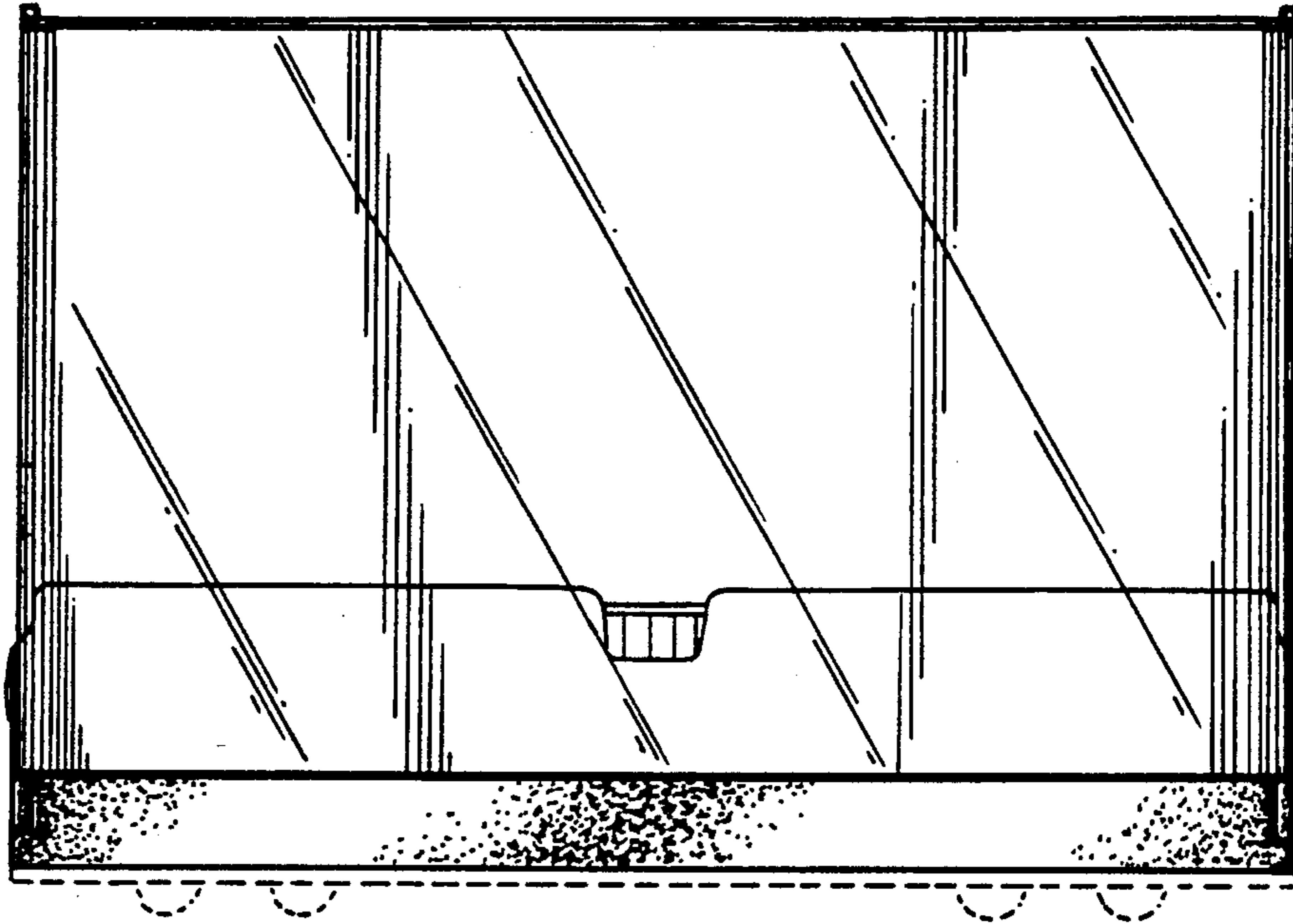


FIG. 15

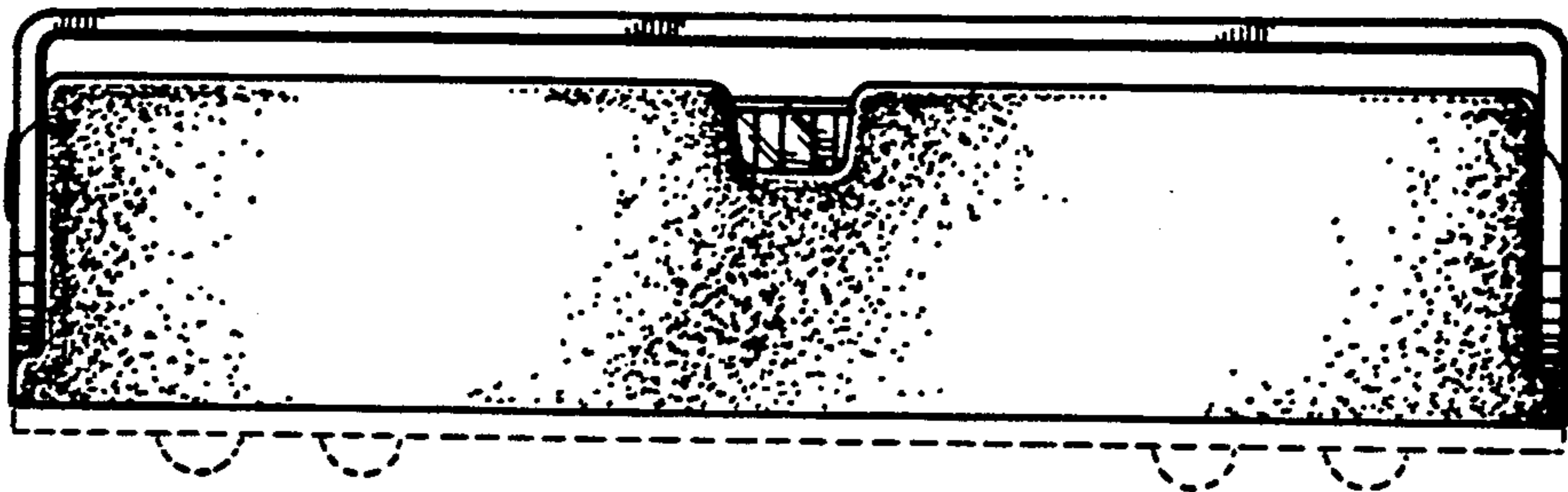


FIG. 16