

- [54] **CEILING FAN AND LIGHT FIXTURE**
[75] **Inventor: Richard M. Hollbrook, Hermosa Beach, Calif.**
[73] **Assignee: Casablanca Fan Company, Inc., City of Industry, Calif.**
[**] **Term: 14 Years**
[21] **Appl. No.: 265,663**
[22] **Filed: Nov. 1, 1988**
[52] **U.S. Cl. D23/377; D26/59; D26/86**
[58] **Field of Search D23/377, 379; D26/84, D26/85, 86, 81, 82, 83, 88, 59; 362/96, 294; 416/5, 223 R, 244 R, 214 R**

- [56] **References Cited**
U.S. PATENT DOCUMENTS
D. 8,698 10/1875 Herter D26/84
D. 270,942 10/1983 McCain D23/379
4,342,073 7/1982 Ranten D23/377

- 4,426,677 1/1984 Dennis 362/294
4,428,032 1/1984 Workman 416/5

OTHER PUBLICATIONS

Nutone Slimline Paddle Fan Cat. ©1981, p. 3, Tara, middle right side of page.

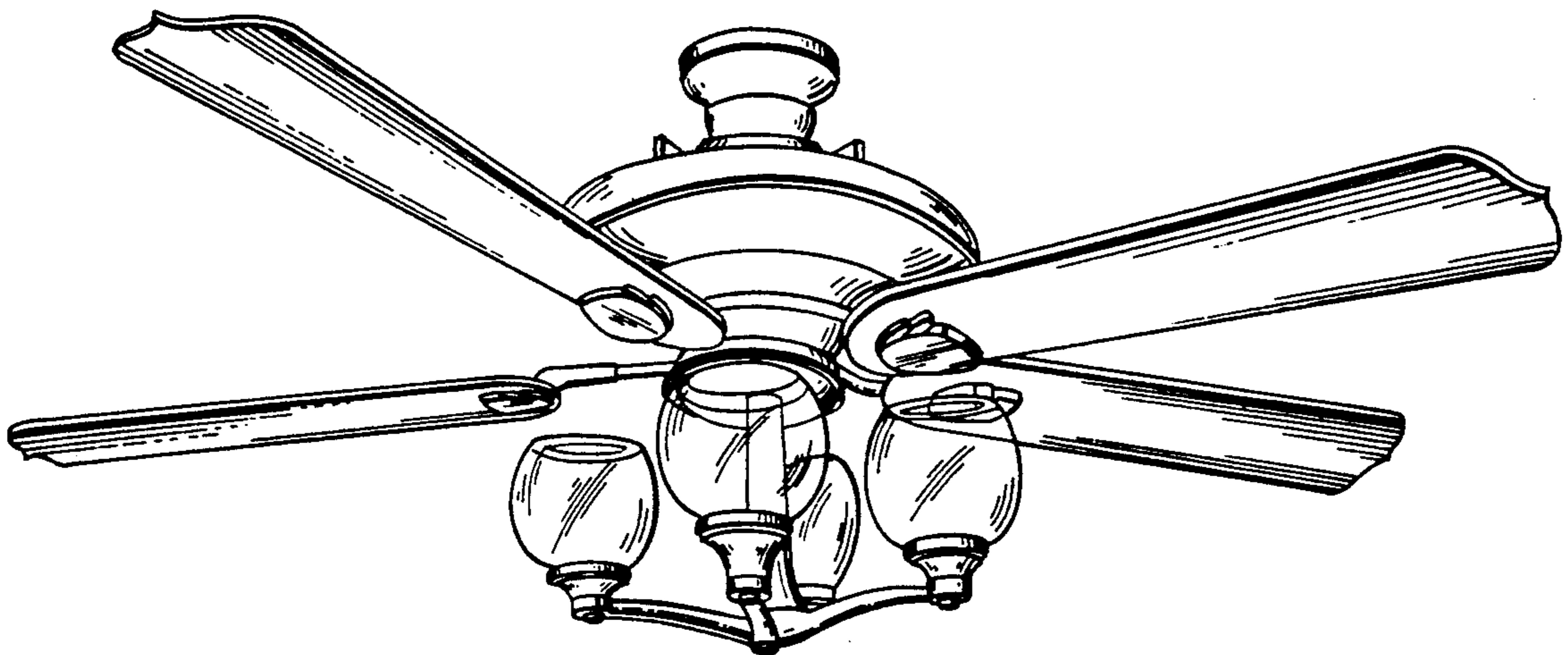
Primary Examiner—James M. Gandy
Assistant Examiner—Lisa Lichtenstein
Attorney, Agent, or Firm—Charles H. Schwartz;
Ellsworth R. Roston

[57] **CLAIM**

The ornamental design for a ceiling fan and light fixture, as shown and described.

DESCRIPTION

FIG. 1 is a perspective view of a ceiling fan and light fixture showing my new design;
FIG. 2 is a side elevation view thereof, the opposite side being a mirror image of that shown;
FIG. 3 is a top plan view thereof; and
FIG. 4 is a bottom plan view thereof.



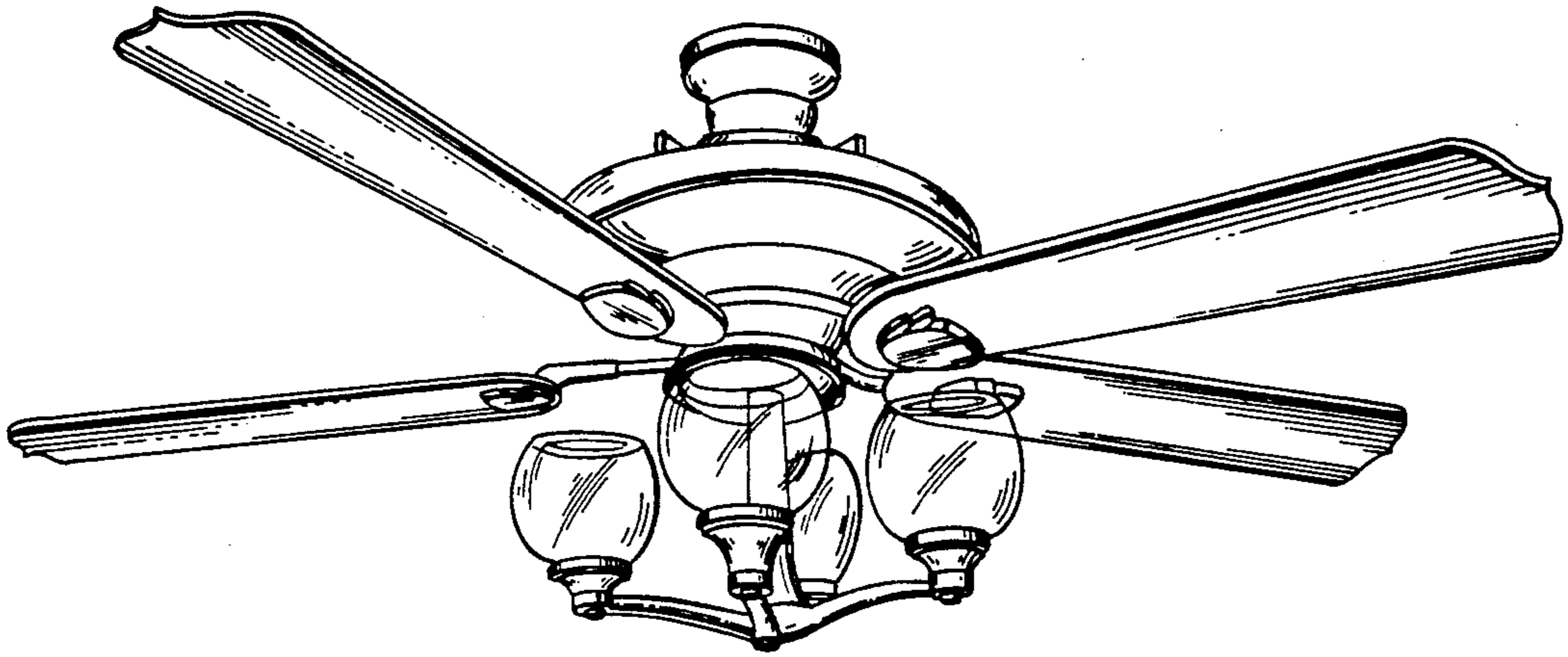


FIG. 1

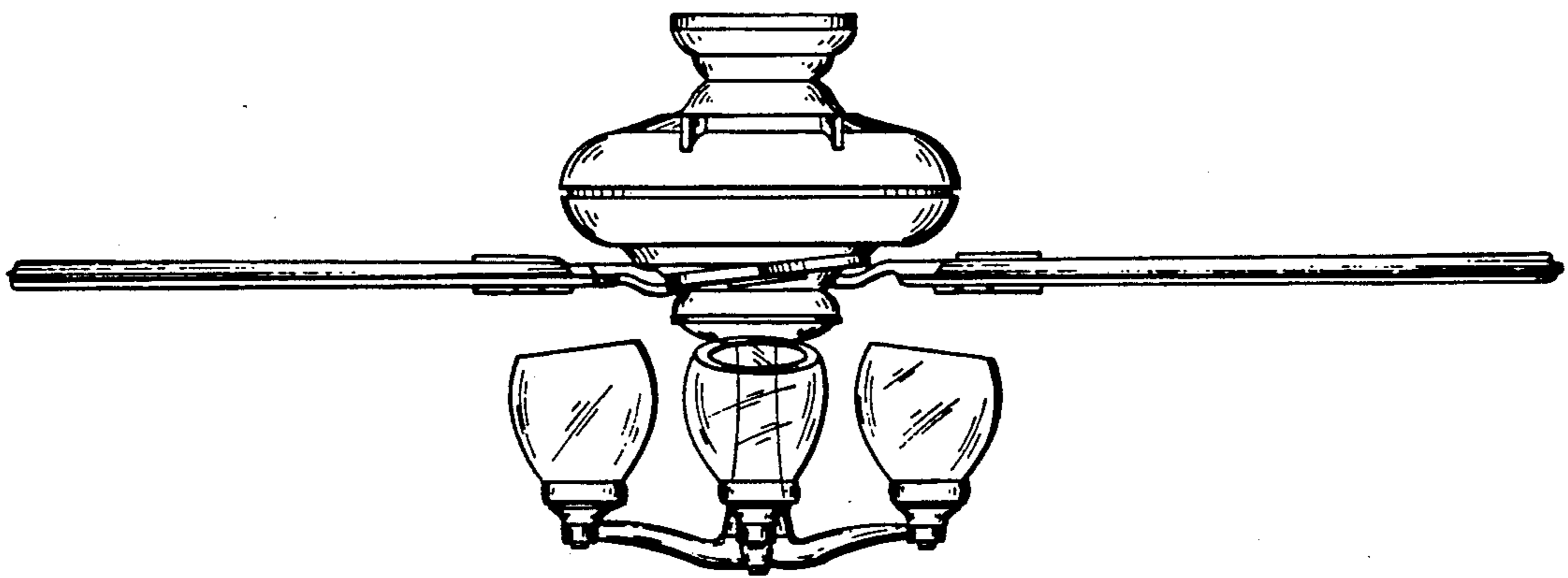


FIG. 2

FIG. 3

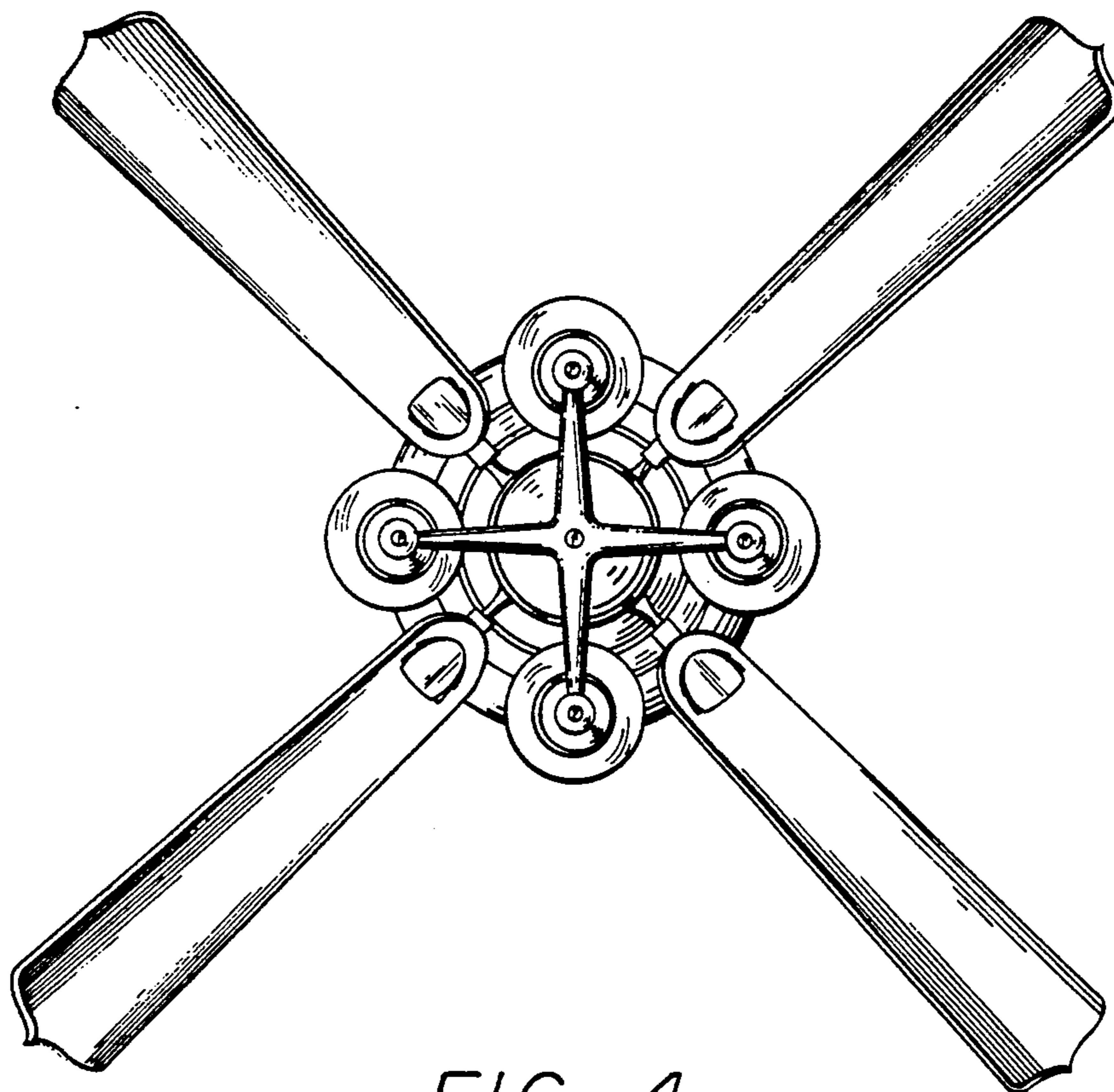
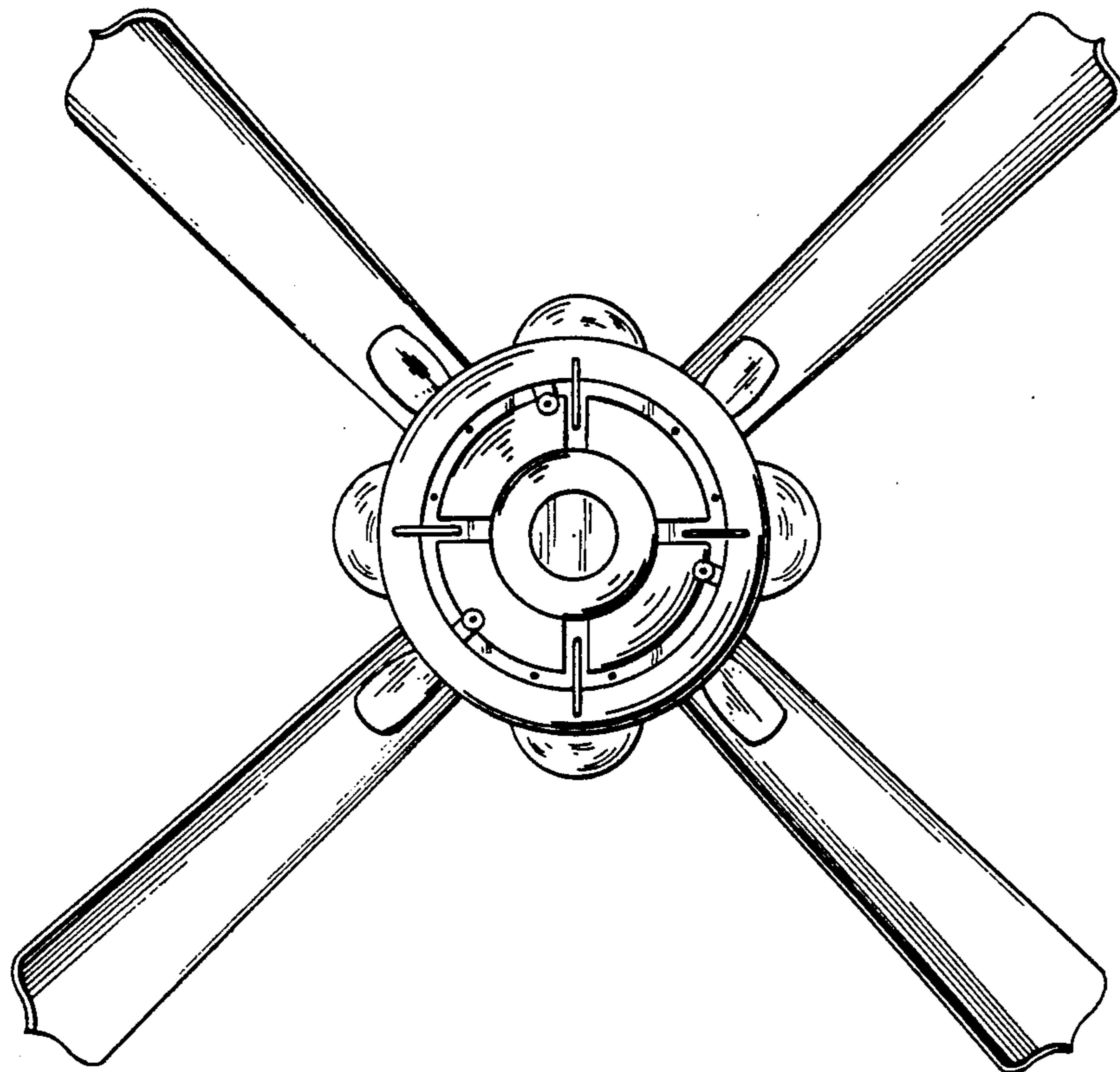


FIG. 4