

[54] DUMP VALVE FOR ATTACHMENT TO FIRE ENGINE TANKERS

[76] Inventors: Theodore Ziaylek, Jr., 140 Riverview Dr.; Michael P. Ziaylek, 3 Brook La., both of Yardley, Pa. 19067

[**] Term: 14 Years

[21] Appl. No.: 390,912

[22] Filed: Aug. 7, 1989

[52] U.S. Cl. D23/244

[58] Field of Search D34/28; D23/200, 202, D23/203, 204, 205, 206, 207, 244, 233, 249; 251/87, 279, 101, 58, 298, 285; 137/875, 107, 242

[56] References Cited

U.S. PATENT DOCUMENTS

D. 233,888	12/1974	Hnatko	D23/244
250,808	12/1881	Haug	251/87
D. 256,607	8/1980	Carlin	D23/245
D. 271,518	11/1983	Lankston	D23/249
838,479	12/1906	Tromblee	D23/244 X
2,683,581	7/1954	Rovang	D23/244 X

3,232,577	2/1966	Sargent	251/87
3,307,576	3/1967	Himes et al.	137/107 X
3,669,405	6/1972	Baum	251/279
4,300,585	11/1981	Taylor	137/107
4,552,181	11/1985	Hankins	251/298 X

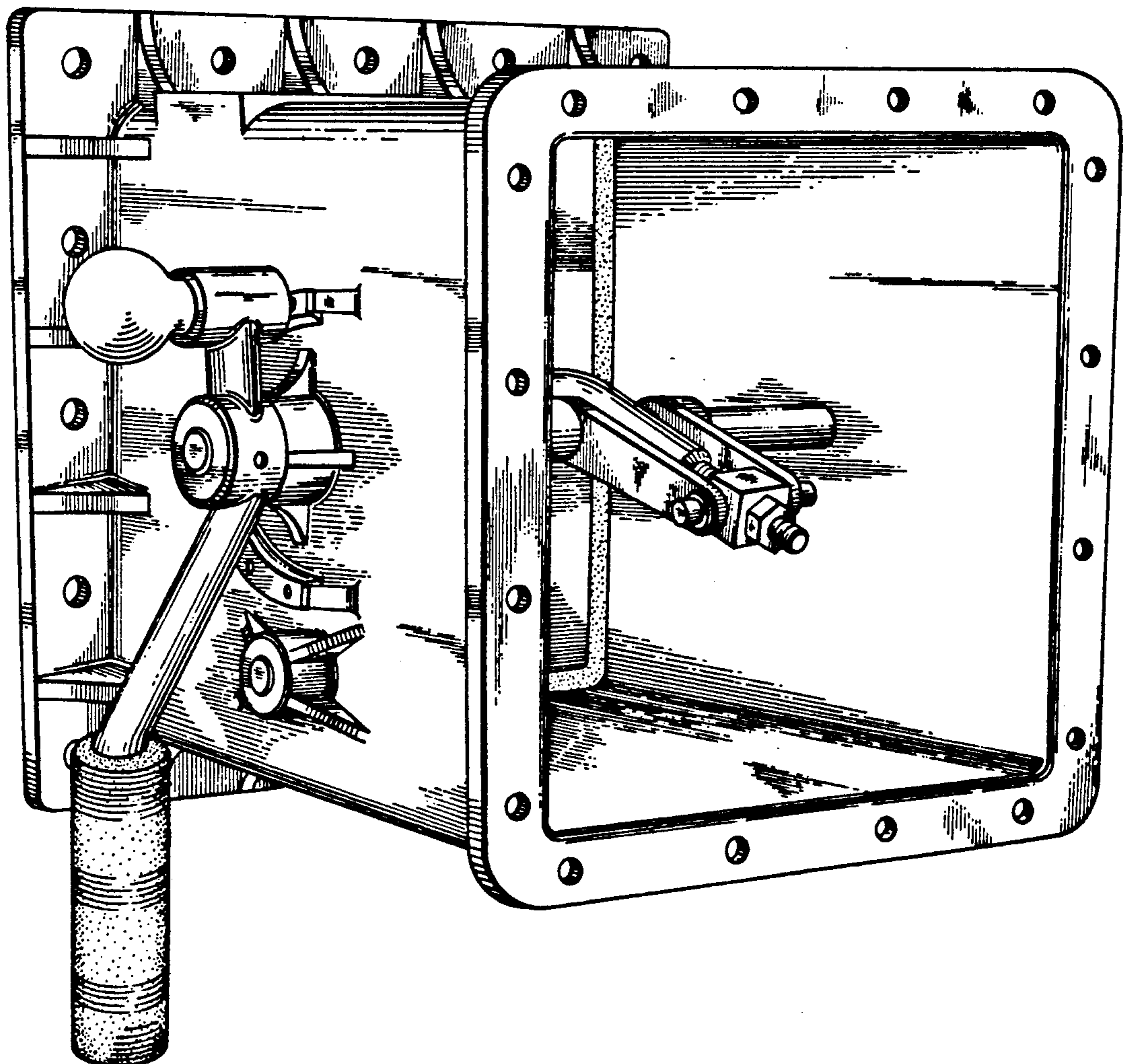
Primary Examiner—Wallace R. Burke
Assistant Examiner—Holly H. Baynham
Attorney, Agent, or Firm—Sperry, Zoda & Kane

[57] CLAIM

The ornamental design for a dump valve for attachment to fire engine tankers, as shown.

DESCRIPTION

FIG. 1 is a perspective view of a dump valve for attachment to fire engine tankers showing my new design; FIG. 2 is a top plan view thereof; FIG. 3 is a bottom plan view thereof; FIG. 4 is a right side elevational view thereof; FIG. 5 is a left side elevational view thereof; FIG. 6 is a rear elevational view thereof; FIG. 7 is a front elevational view thereof; and FIG. 8 is a cross-sectional view of FIG. 2 along lines 8—8.



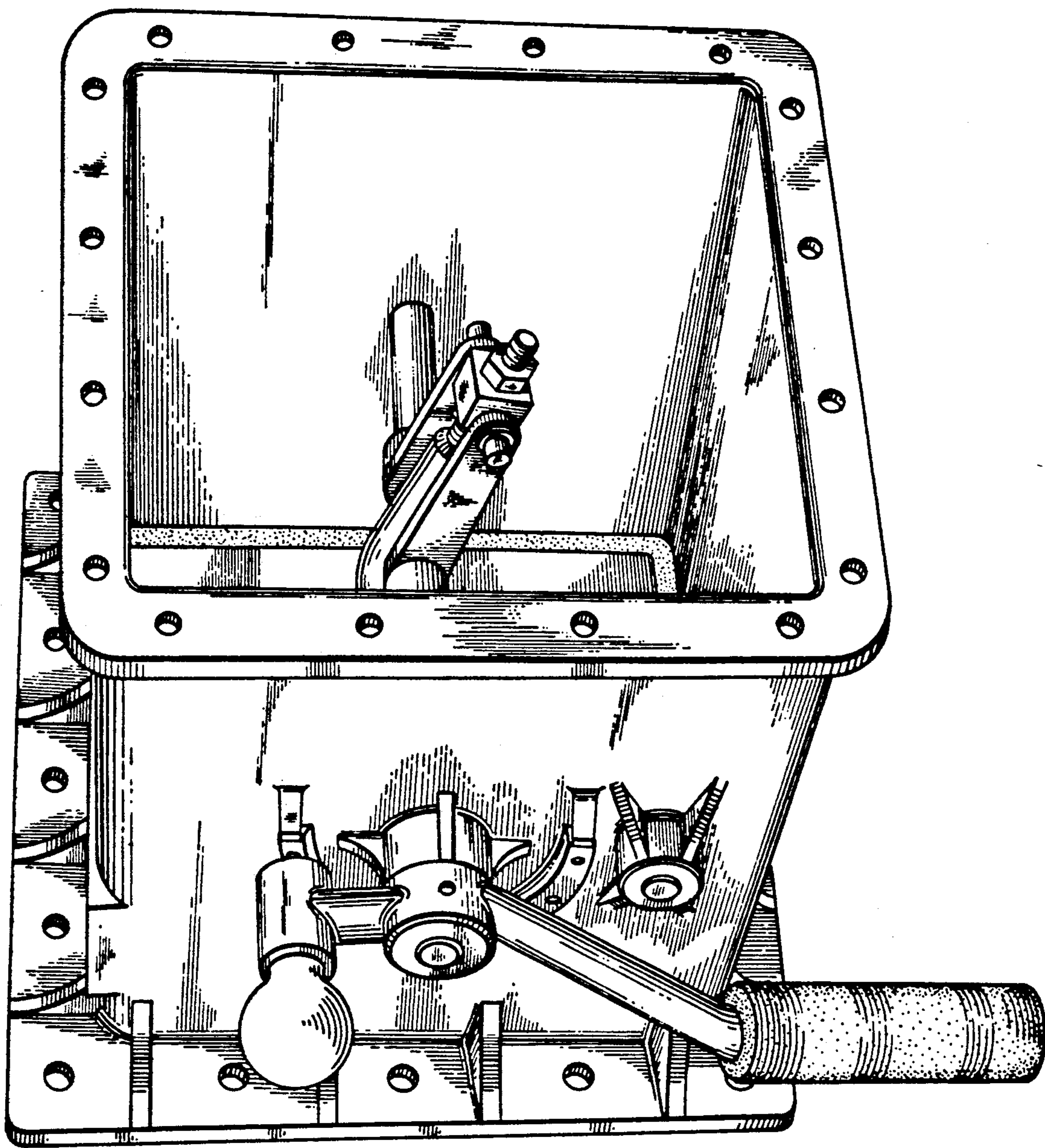


FIG. 1

FIG. 2

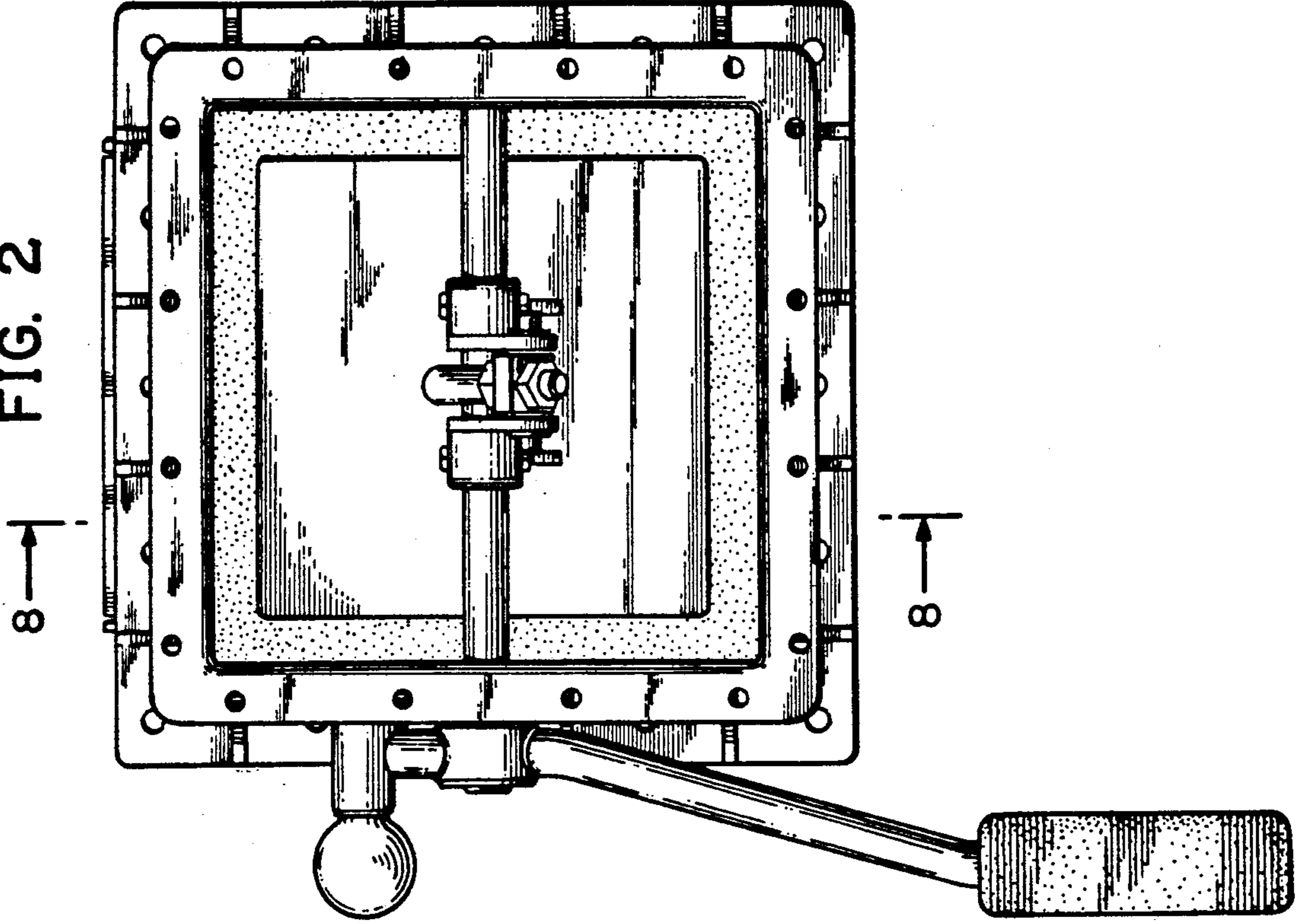


FIG. 3

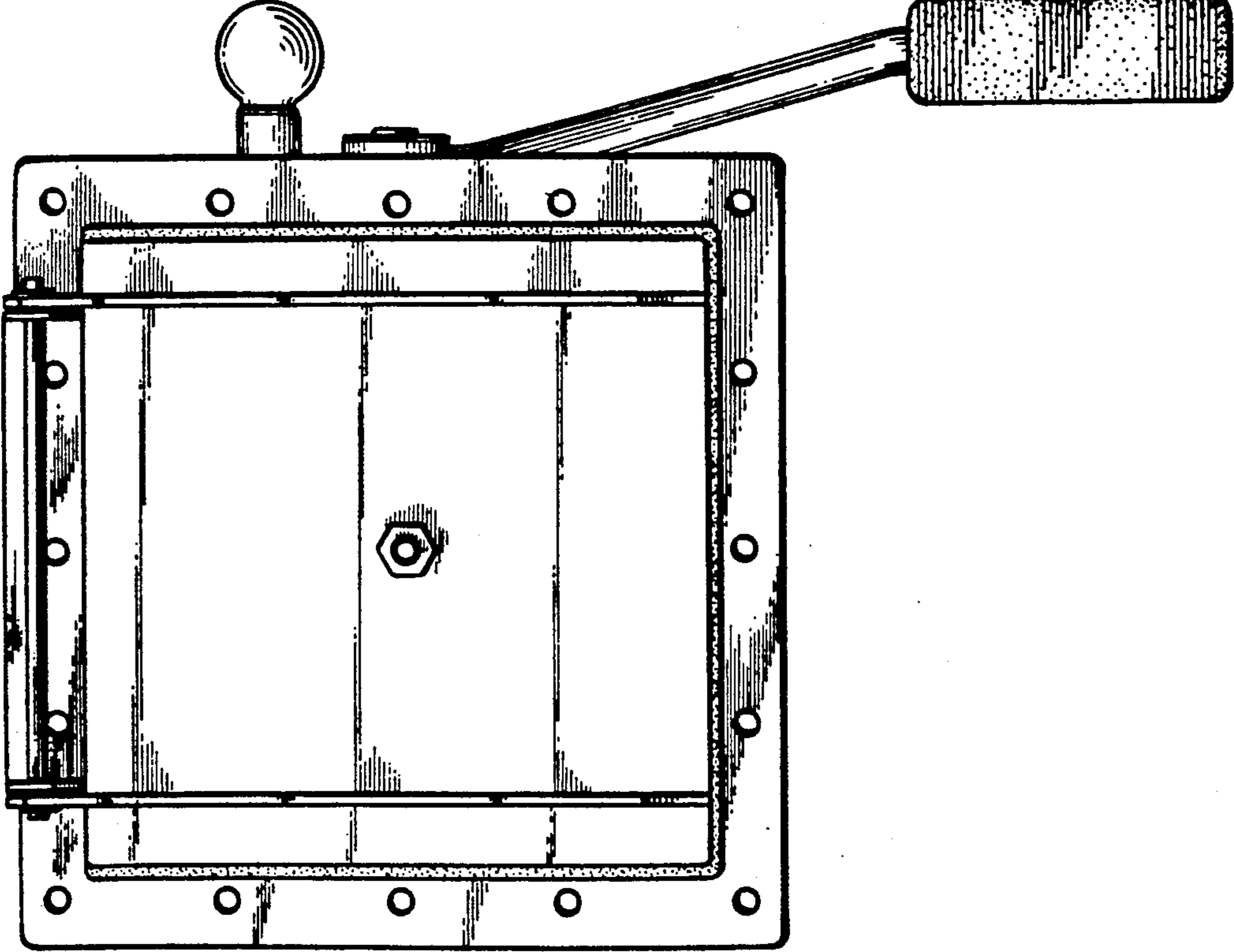


FIG. 4

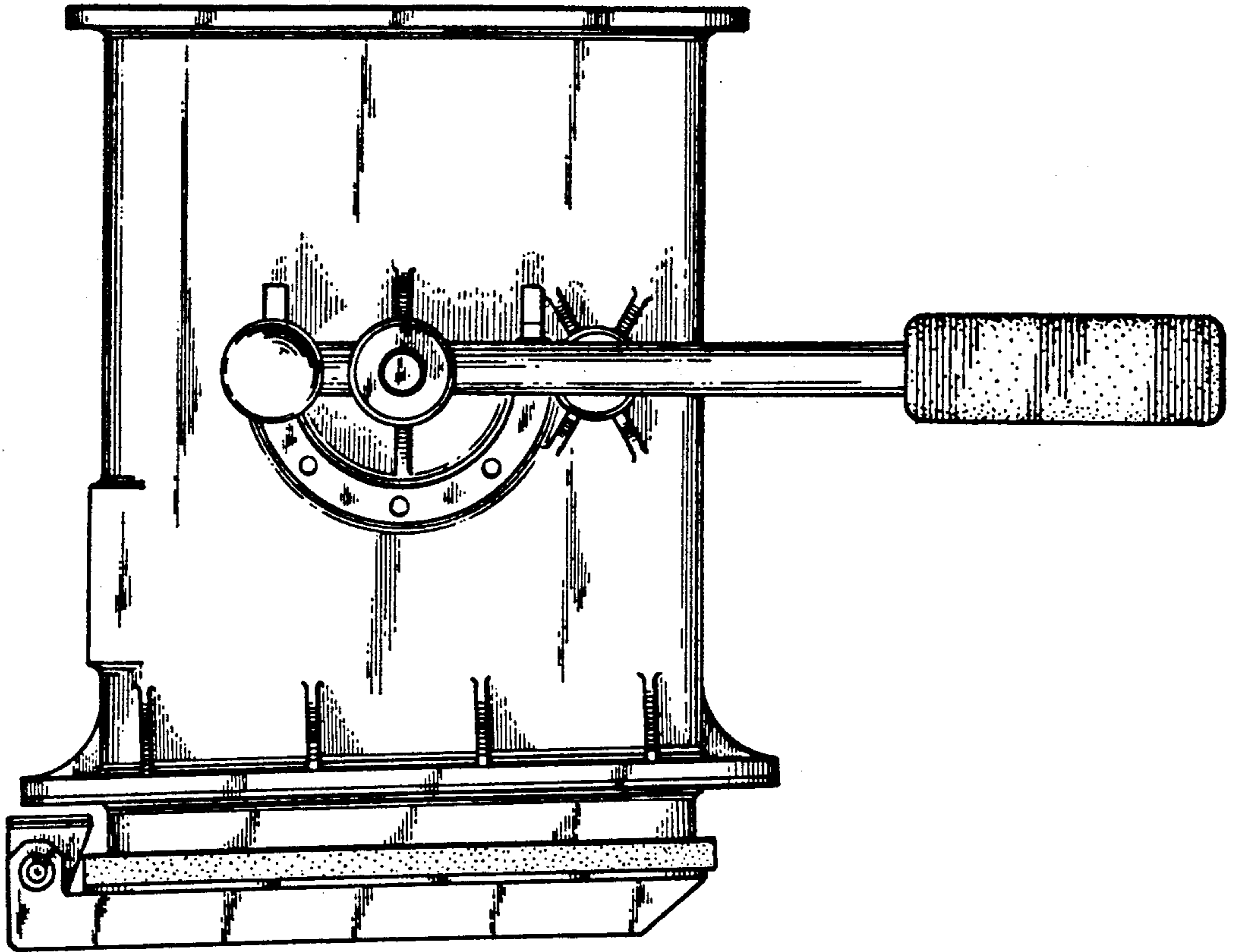
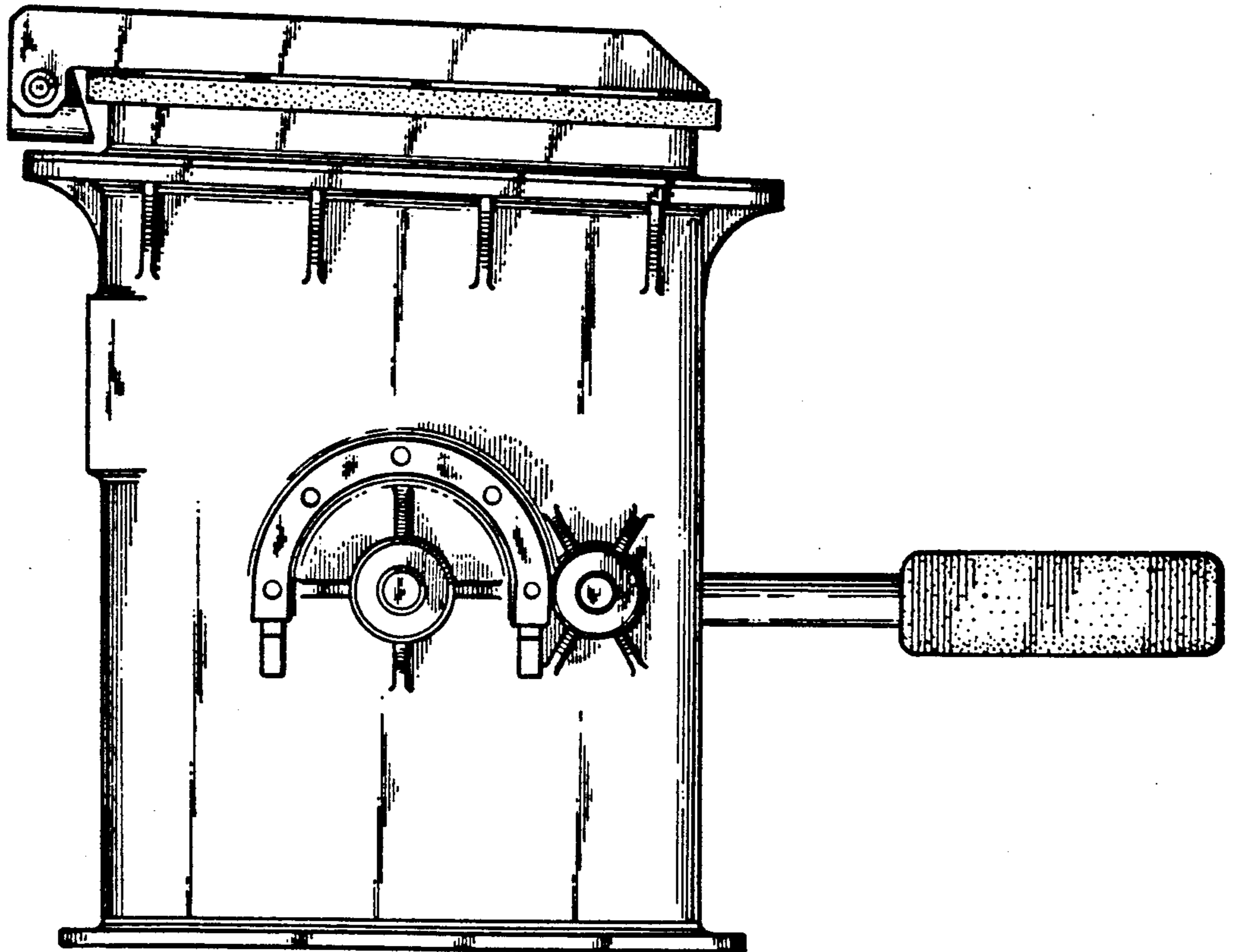


FIG. 5



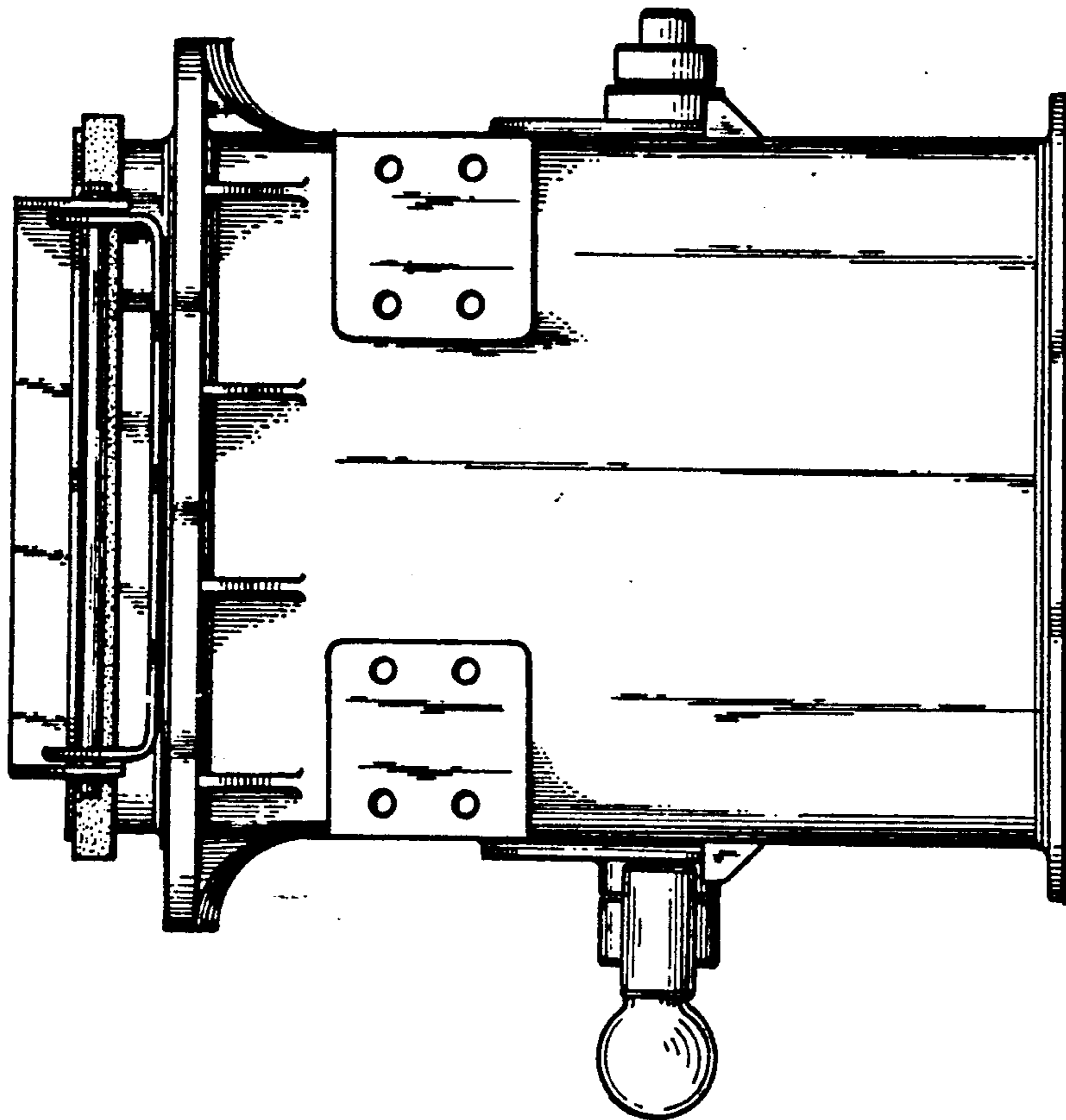


FIG. 6

FIG. 7

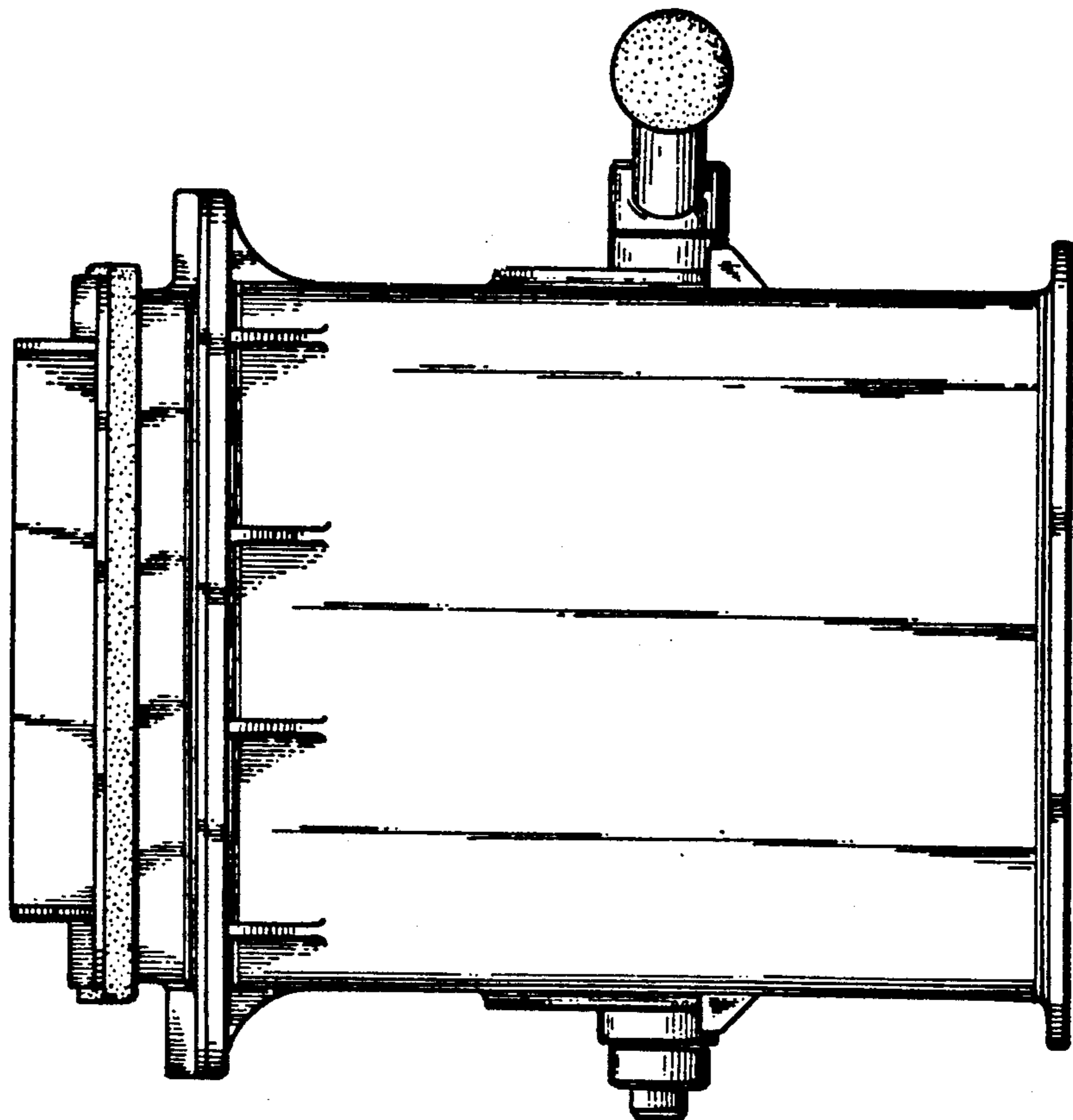


FIG. 8

