

[54] **POOL RACK TRIANGLE**

[76] **Inventor:** Basil Cahill, 7251 Weingartz,  
Centerline, Mich. 48015

[\*\*] **Term:** 14 Years

[21] **Appl. No.:** 164,643

[22] **Filed:** Mar. 7, 1988

[52] **U.S. Cl.** ..... D21/232

[58] **Field of Search** ..... D21/232; 273/2, 10,  
273/14, 22

[56] **References Cited**

**U.S. PATENT DOCUMENTS**

D. 159,558 8/1950 Sundell ..... D21/232  
4,469,328 9/1984 Pacitti ..... 273/22

**FOREIGN PATENT DOCUMENTS**

2156690 10/1985 United Kingdom ..... 273/22

**OTHER PUBLICATIONS**

Playthings, Jun. 1963, p. 27, "Tudor Pool Tables", Tri-  
angle ball rack.

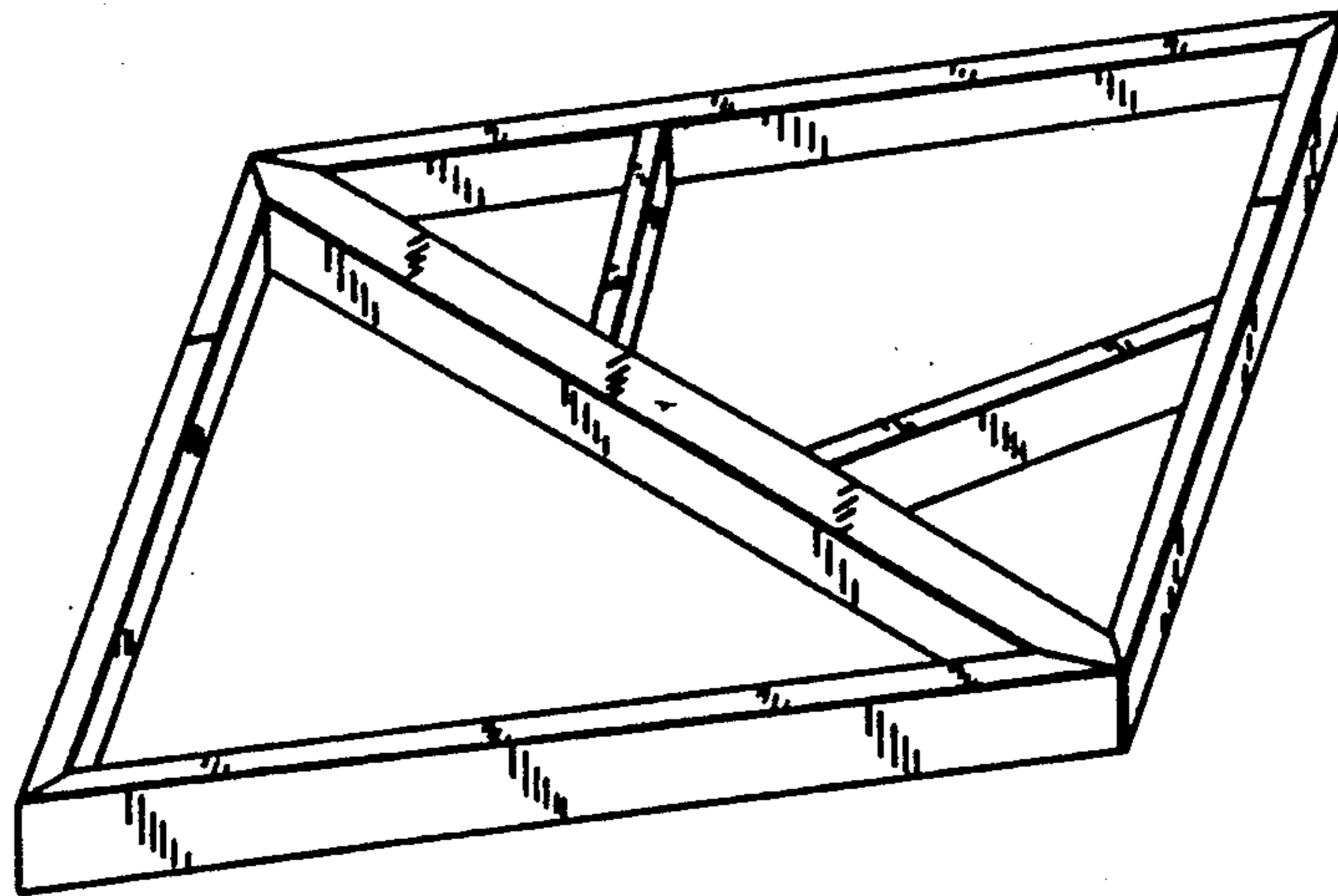
*Primary Examiner*—Melvin B. Feifer  
*Assistant Examiner*—Philip Hyder  
*Attorney, Agent, or Firm*—Peter D. Keefe

[57] **CLAIM**

The ornamental design for a pool rack triangle, as  
shown.

**DESCRIPTION**

FIG. 1 is a perspective view of a pool rack triangle,  
showing my new design;  
FIG. 2 is a top plan view thereof;  
FIG. 3 is a right side elevation view thereof; and  
FIG. 4 is a front elevation view thereof.



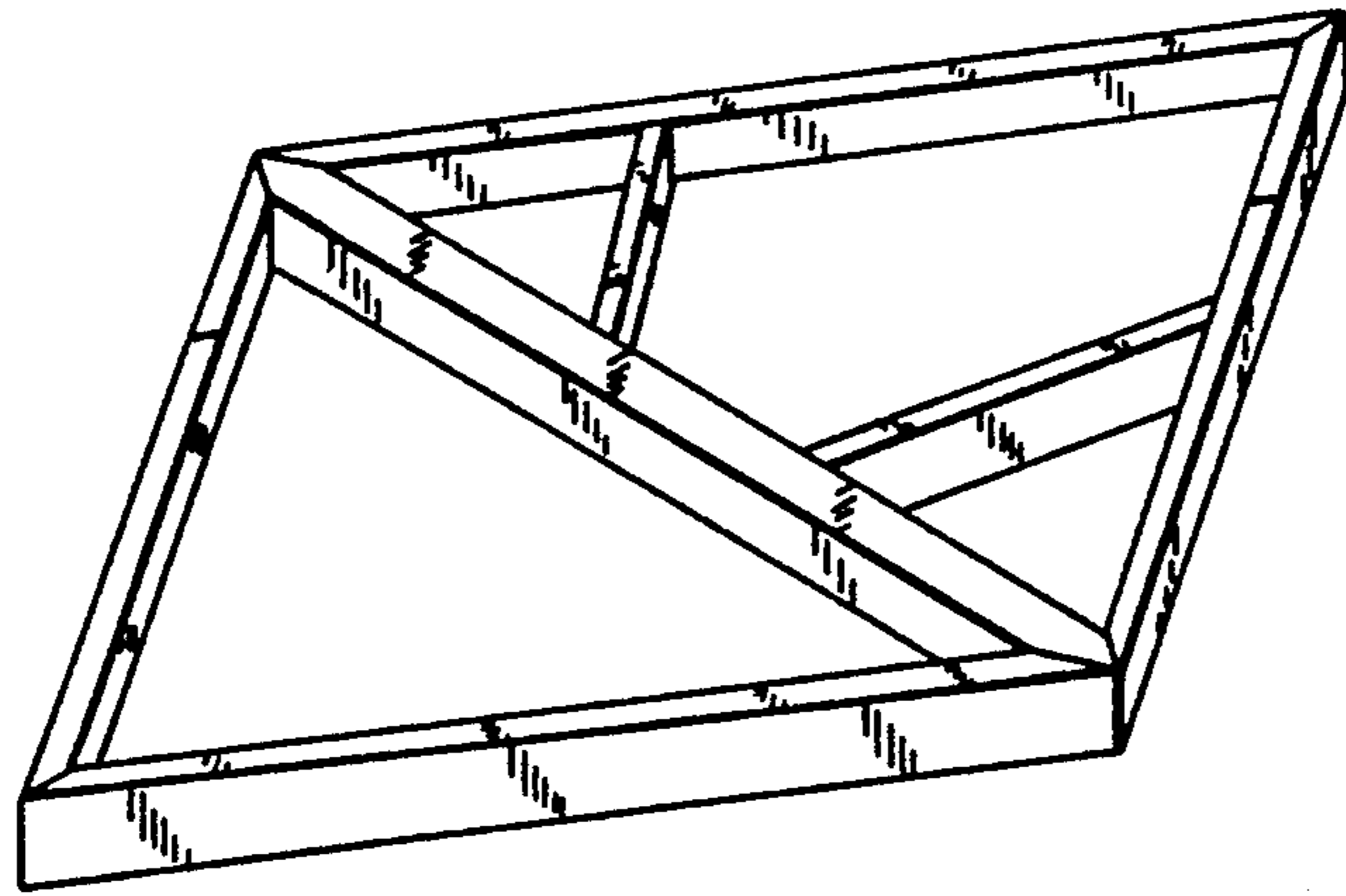


FIG. 1

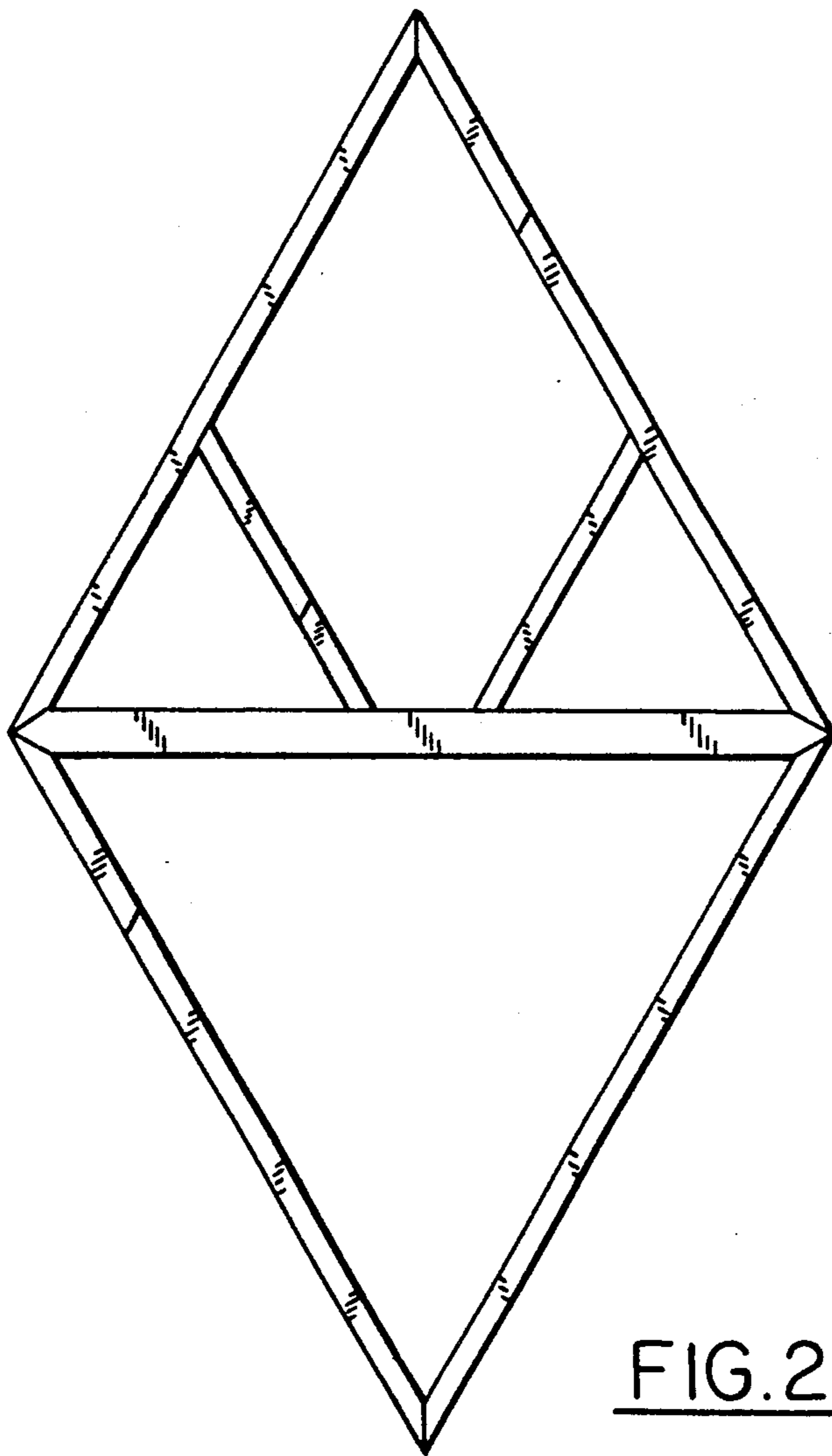


FIG. 2



FIG. 3



FIG. 4