

**United States Patent** [19]  
**Wehmeyer**

[11] **Patent Number: Des. 315,940**  
[45] **Date of Patent: \*\* Apr. 2, 1991**

[54] **ROLLER SKATE**

[75] **Inventor: Stephen D. Wehmeyer, West Falls, N.Y.**

[73] **Assignee: The Quaker Oats Company, Chicago, Ill.**

[\*\*] **Term: 14 Years**

[21] **Appl. No.: 232,572**

[22] **Filed: Aug. 15, 1988**

[52] **U.S. Cl. .... D21/226**

[58] **Field of Search .... D21/226-227; 280/11.2, 11.23, 11.19, 11.22, 11.27, 11.28**

[56] **References Cited**

**U.S. PATENT DOCUMENTS**

D. 146,368 2/1947 McCaffrey ..... D21/226  
D. 282,095 1/1986 Robjent et al. .... D21/226

D. 289,074 3/1987 Klamer ..... D21/226  
D. 299,259 1/1989 Vullierme ..... D21/226  
3,936,061 2/1976 Wada ..... 280/11.23  
4,379,564 4/1983 Welker ..... 280/11.2

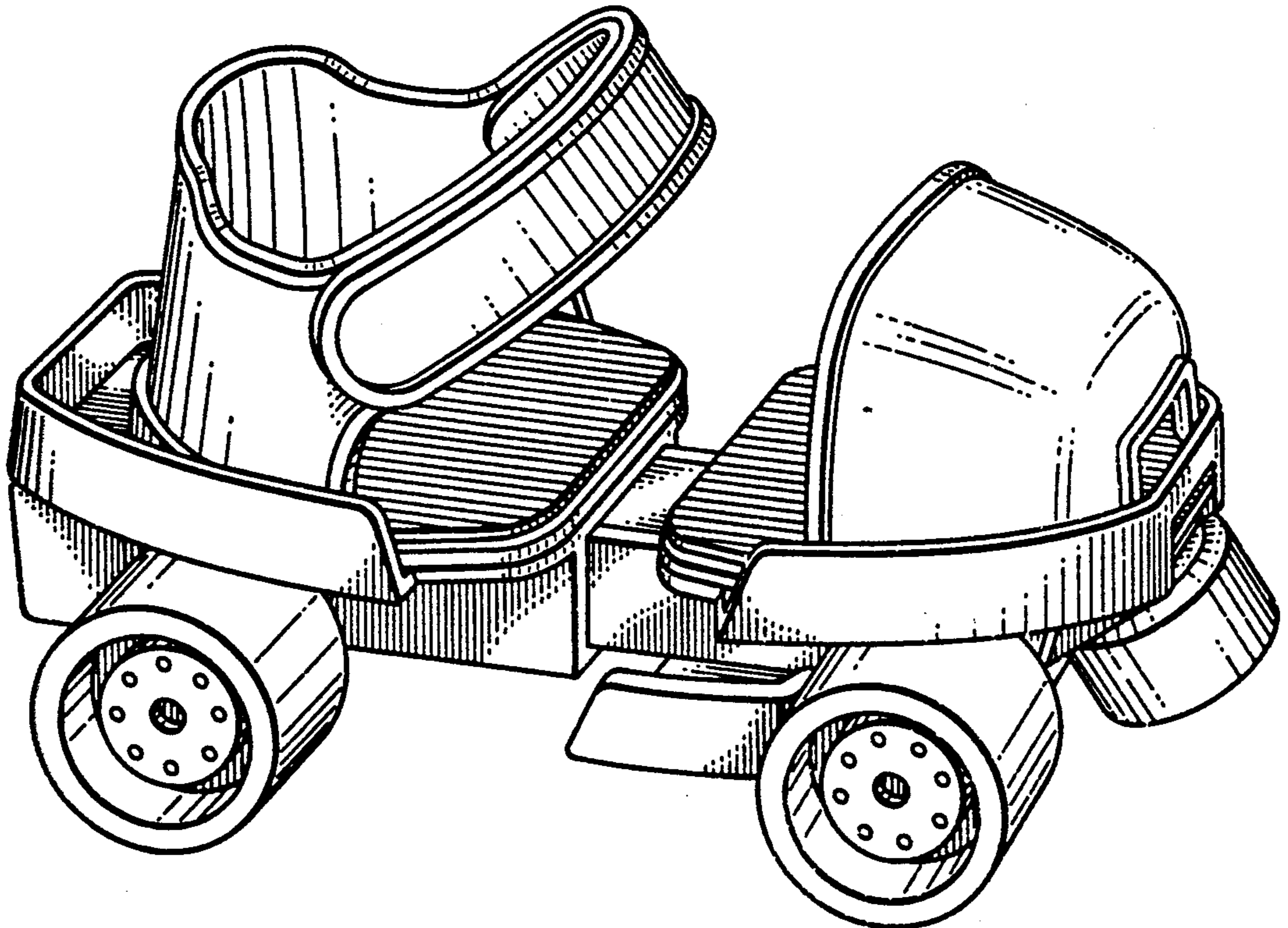
*Primary Examiner*—Charles A. Rademaker  
*Attorney, Agent, or Firm*—Cumpston & Shaw

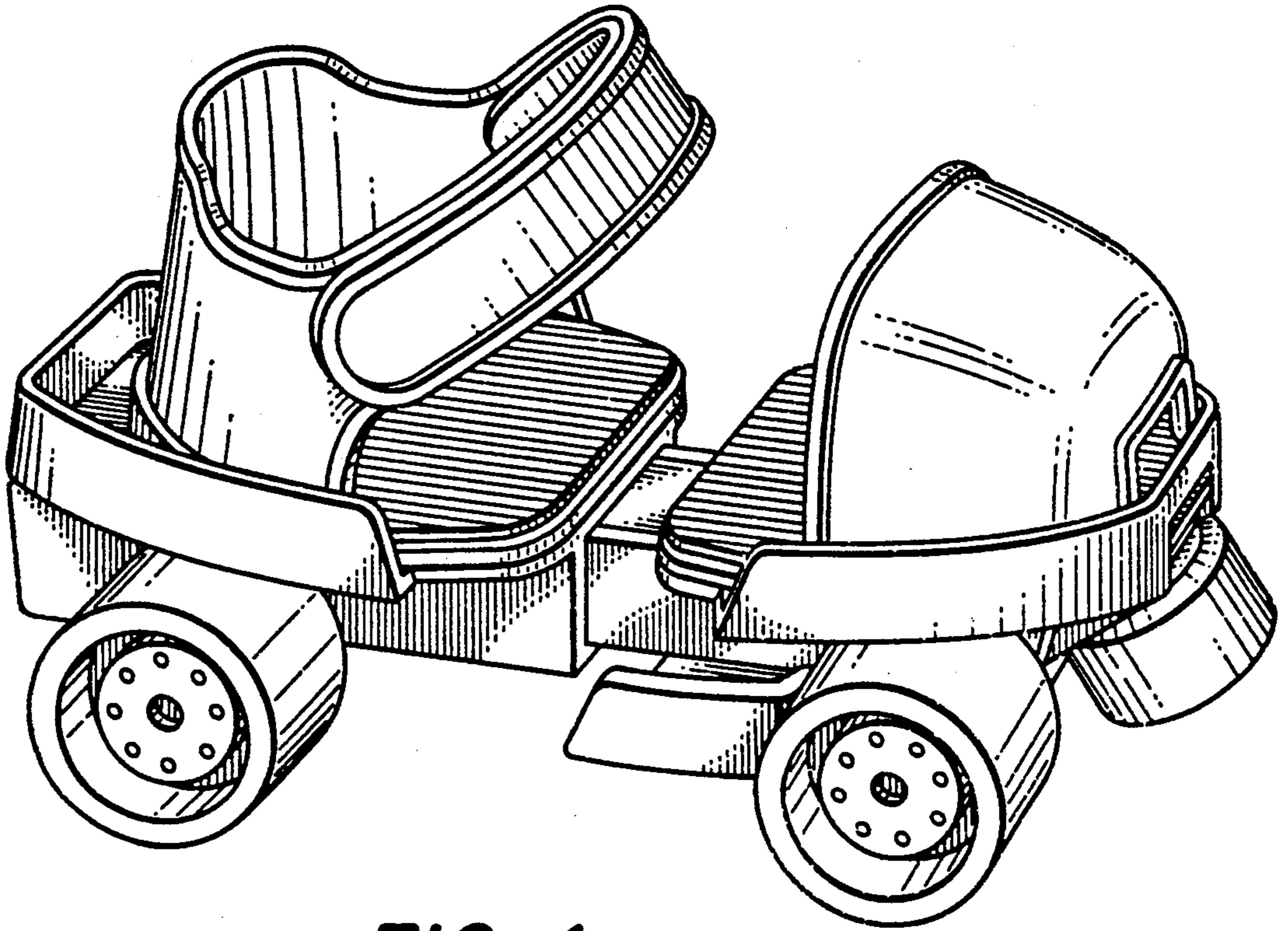
[57] **CLAIM**

The ornamental design for a roller skate, as shown and described.

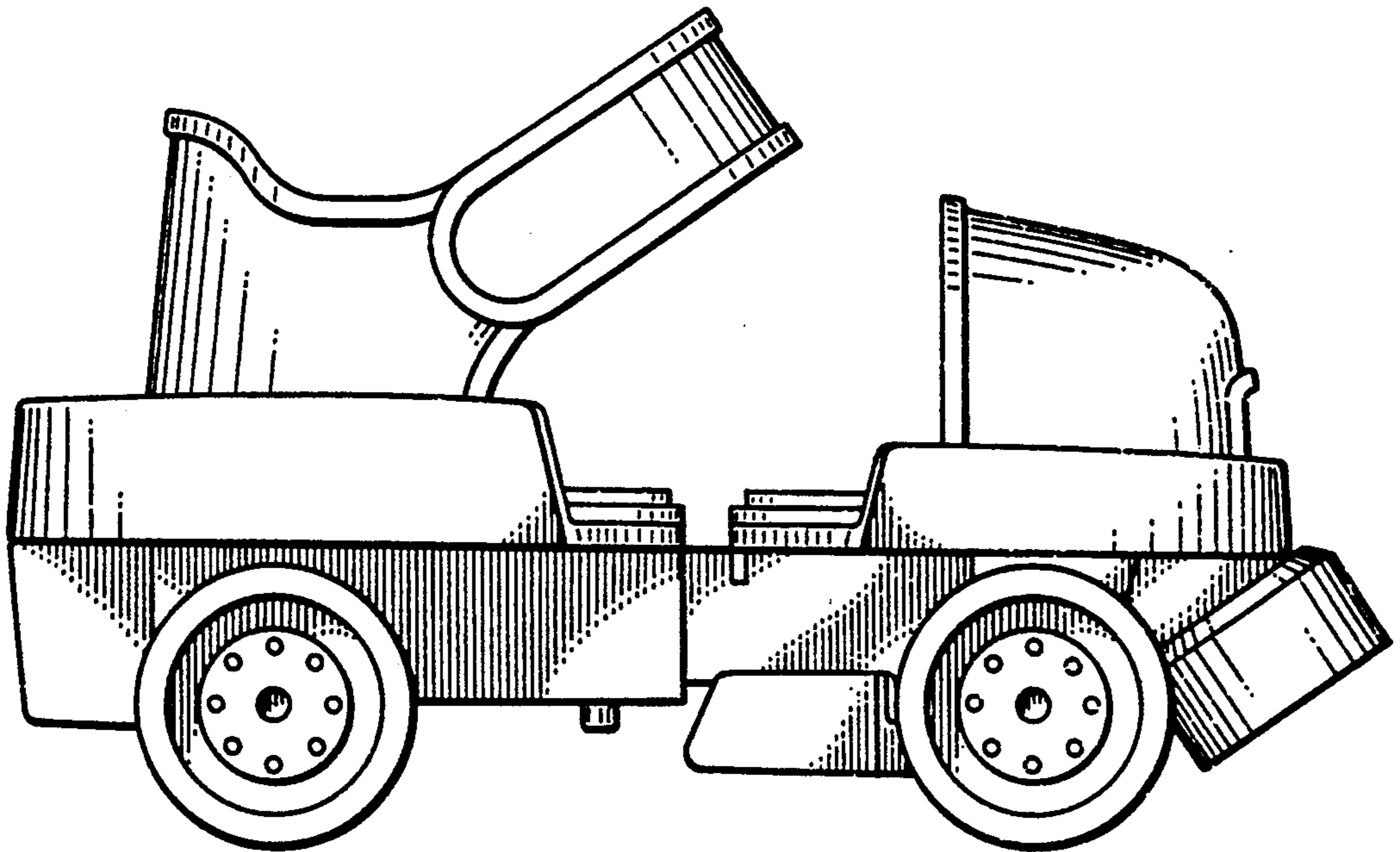
**DESCRIPTION**

FIG. 1 is a perspective view of a roller skate taken from the right front and showing my new design; FIG. 2 is a right-side elevational view thereof, the left side being substantially a mirror image thereof, except for the uppermost portion which is shown in FIG. 1; FIG. 3 is a rear elevational view thereof; and FIG. 4 is a bottom plan view thereof.

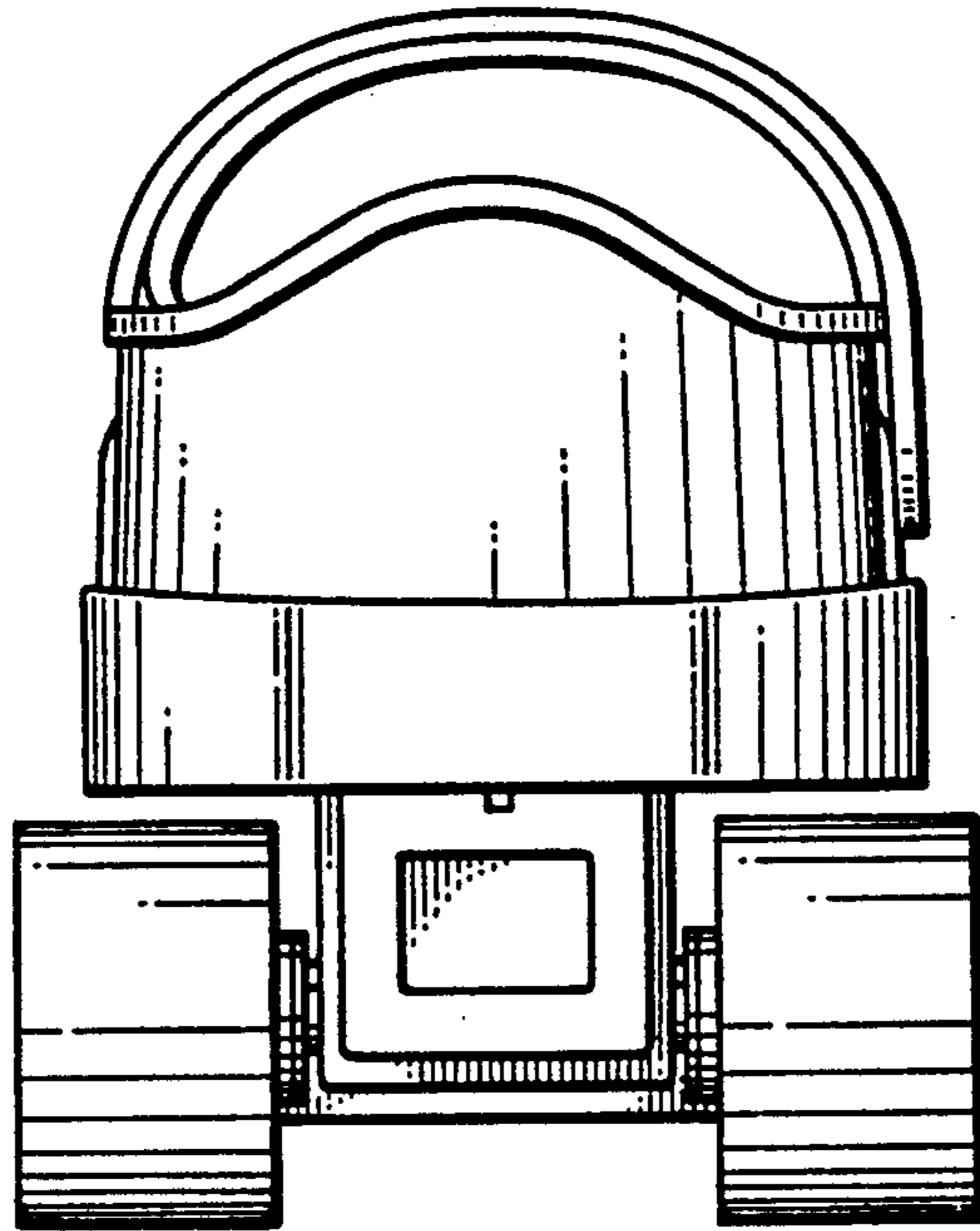




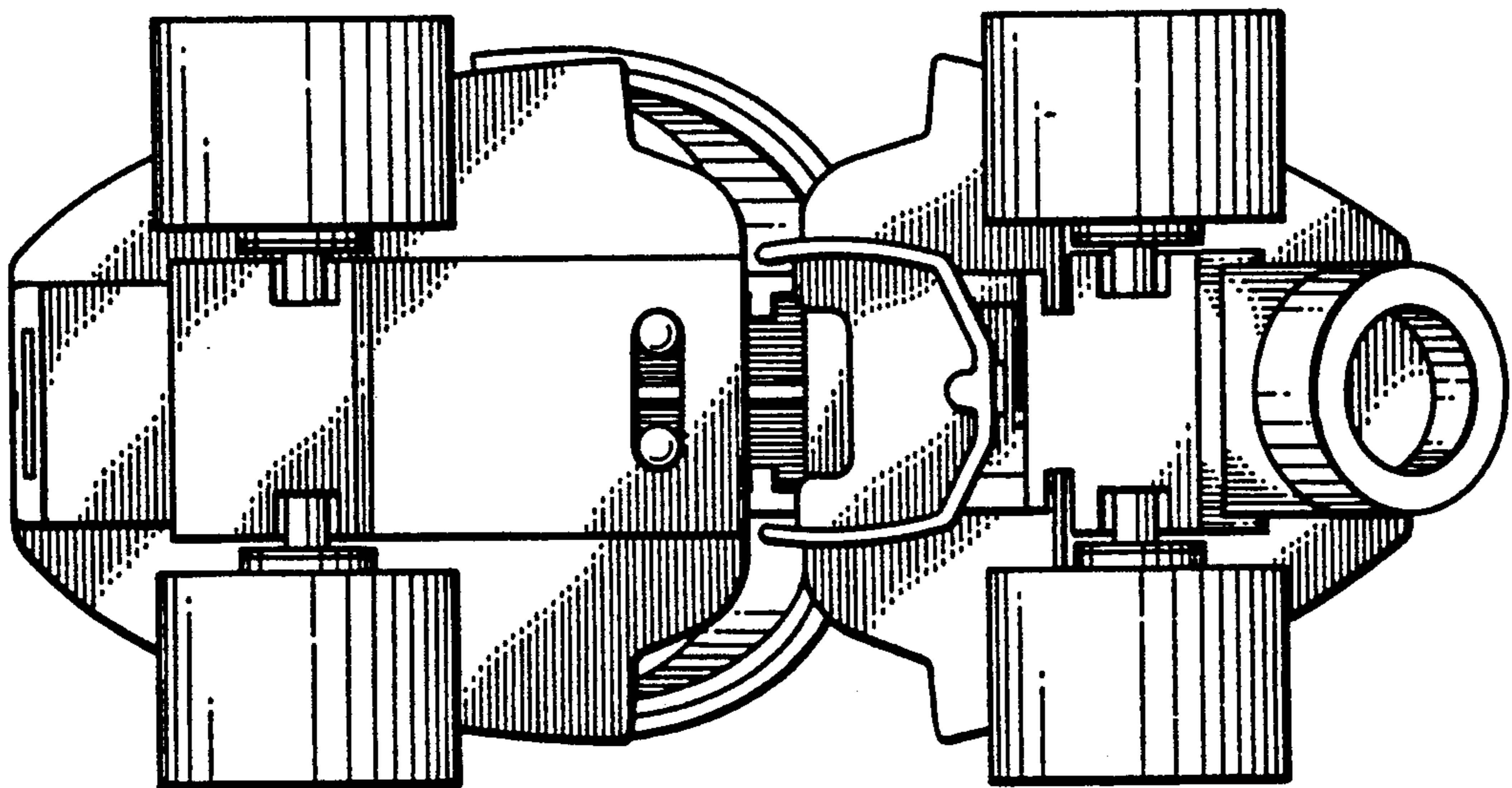
*FIG. 1*



*FIG. 2*



*FIG. 3*



*FIG. 4*