

# United States Patent [19]

Wilson et al.

[11] Patent Number: Des. 315,936

[45] Date of Patent: \*\* Apr. 2, 1991

[54] RESISTANCE STRAP FOR AN EXERCISE MACHINE

[75] Inventors: Jerry L. Wilson, 16170 SW. Jenne Lake Ct., Beaverton, Oreg. 97006; Jon Schneider, Hillsboro; Frederick E. Collins, Cresswell, both of Oreg.

[73] Assignee: Jerry L. Wilson, Hillsboro, Oreg.

[\*\*] Term: 14 Years

[21] Appl. No.: 243,651

[22] Filed: Sep. 12, 1988

[52] U.S. Cl. .... D21/191

[58] Field of Search ..... D21/191, 196; D15/148; 384/125, 220, 296, 297, 907; 272/140, 142

[56] References Cited

## U.S. PATENT DOCUMENTS

D. 280,224 8/1985 Wilson ..... D21/191  
4,749,286 6/1988 White ..... 384/125

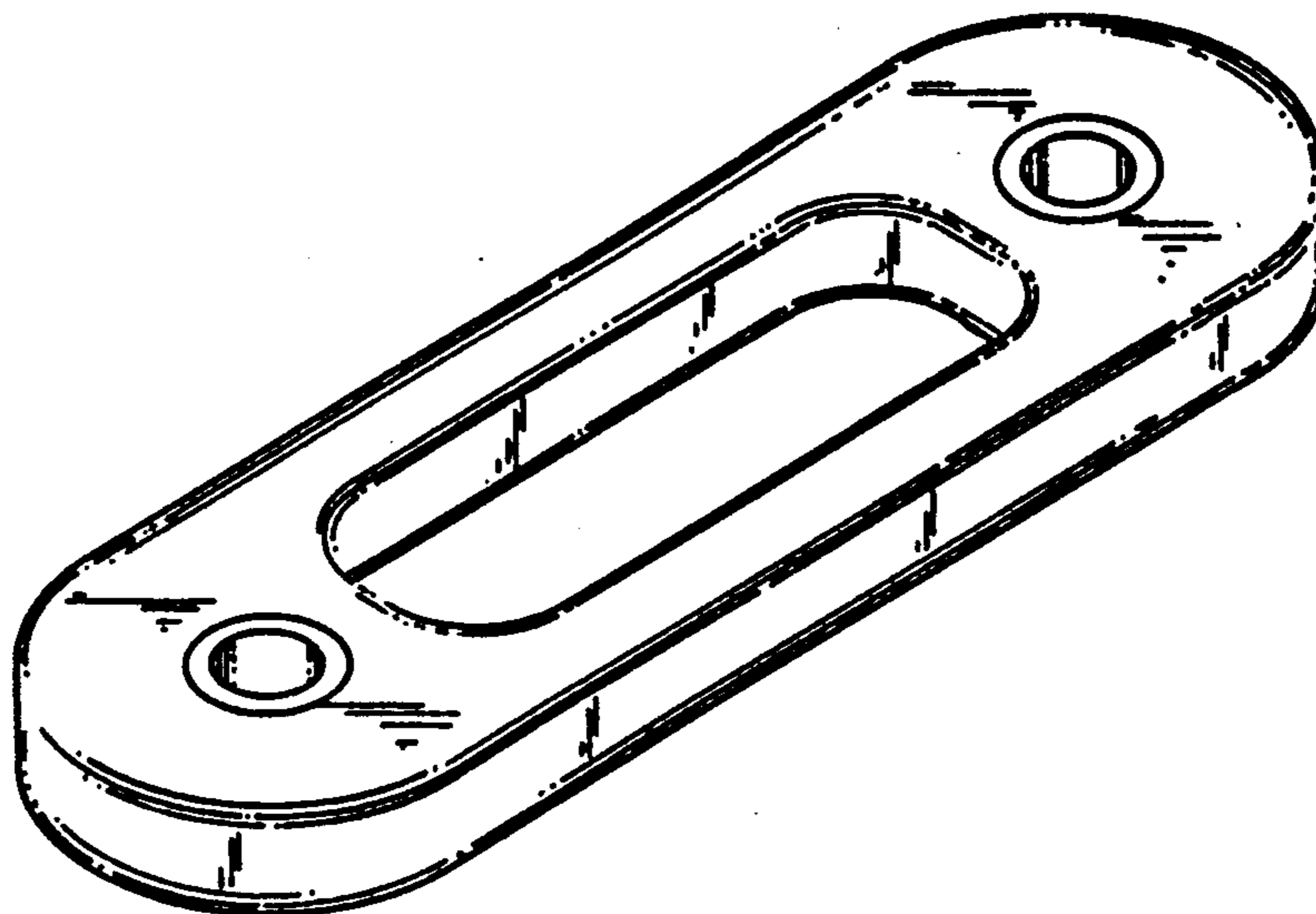
Primary Examiner—Charles A. Rademaker  
Assistant Examiner—Raphael Barkai  
Attorney, Agent, or Firm—Chernoff, Vilhauer, McClung & Stenzel

[57] CLAIM

The ornamental design for a resistance strap for an exercise machine, as shown and described.

## DESCRIPTION

FIG. 1 is a perspective view of a resistance strap for an exercise machine showing our new design;  
FIG. 2 is a top plan view thereof, the bottom being identical;  
FIG. 3 is a right end elevational view thereof, the end opposite being identical; and,  
FIG. 4 is a front end elevational view thereof, the end opposite being identical.



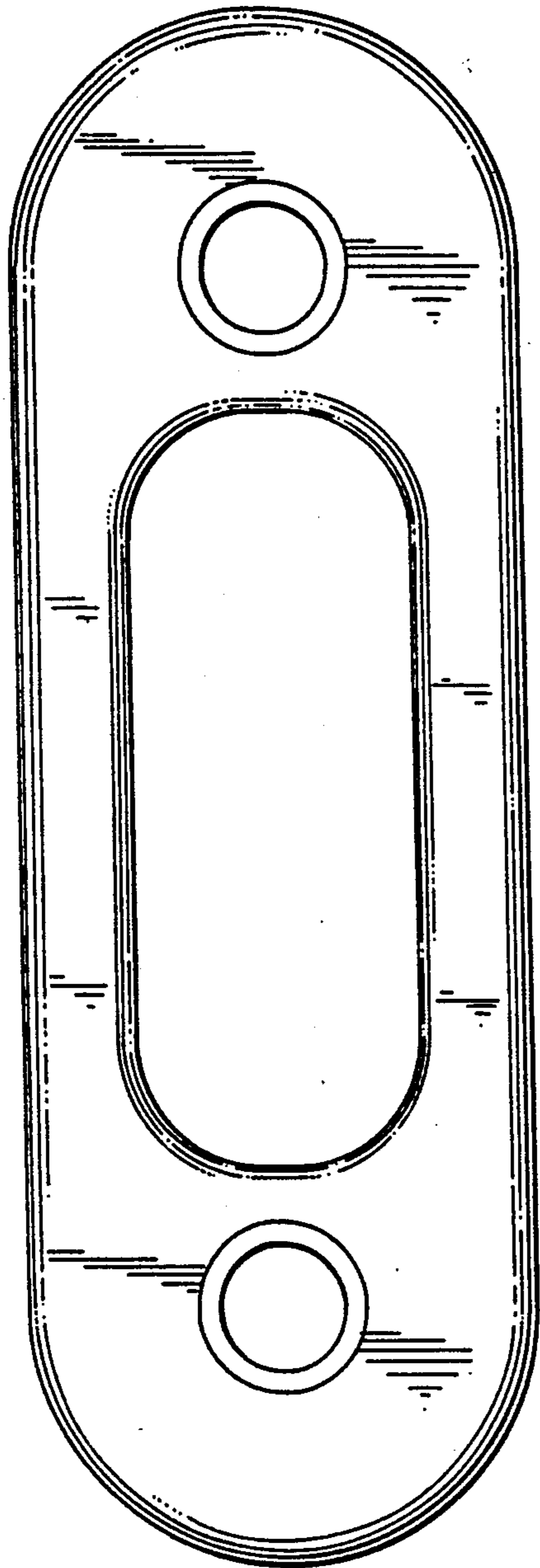


FIG. 2

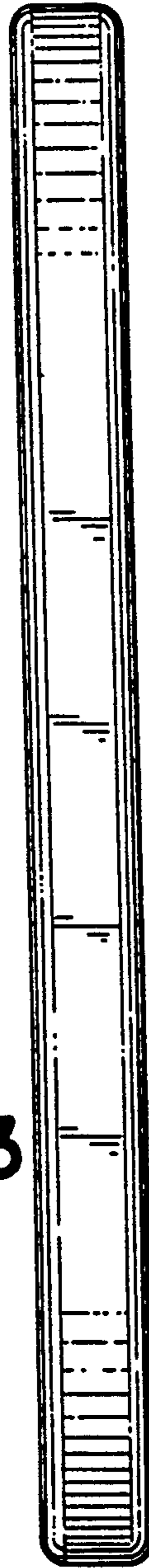


FIG. 3

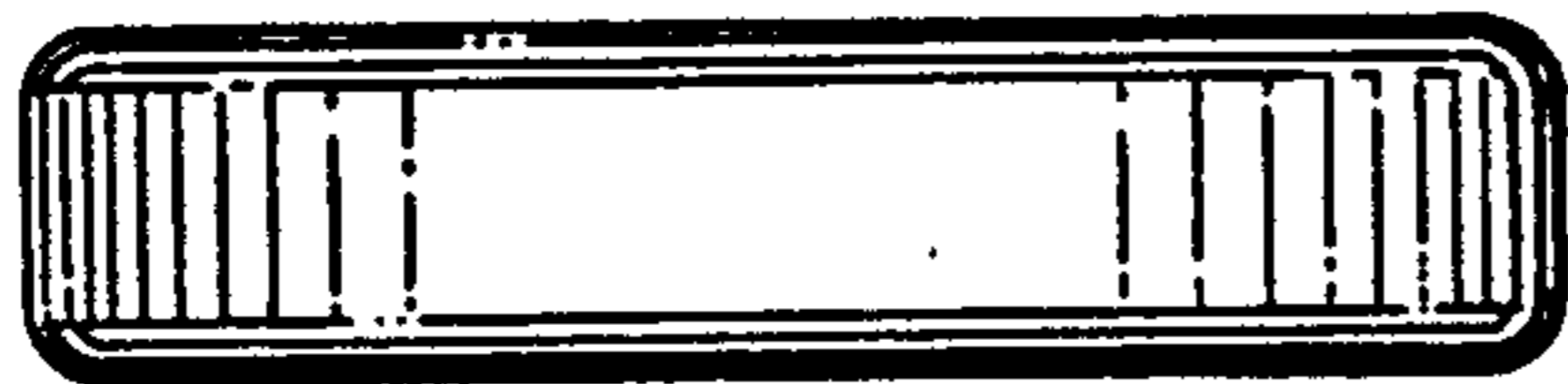


FIG. 4

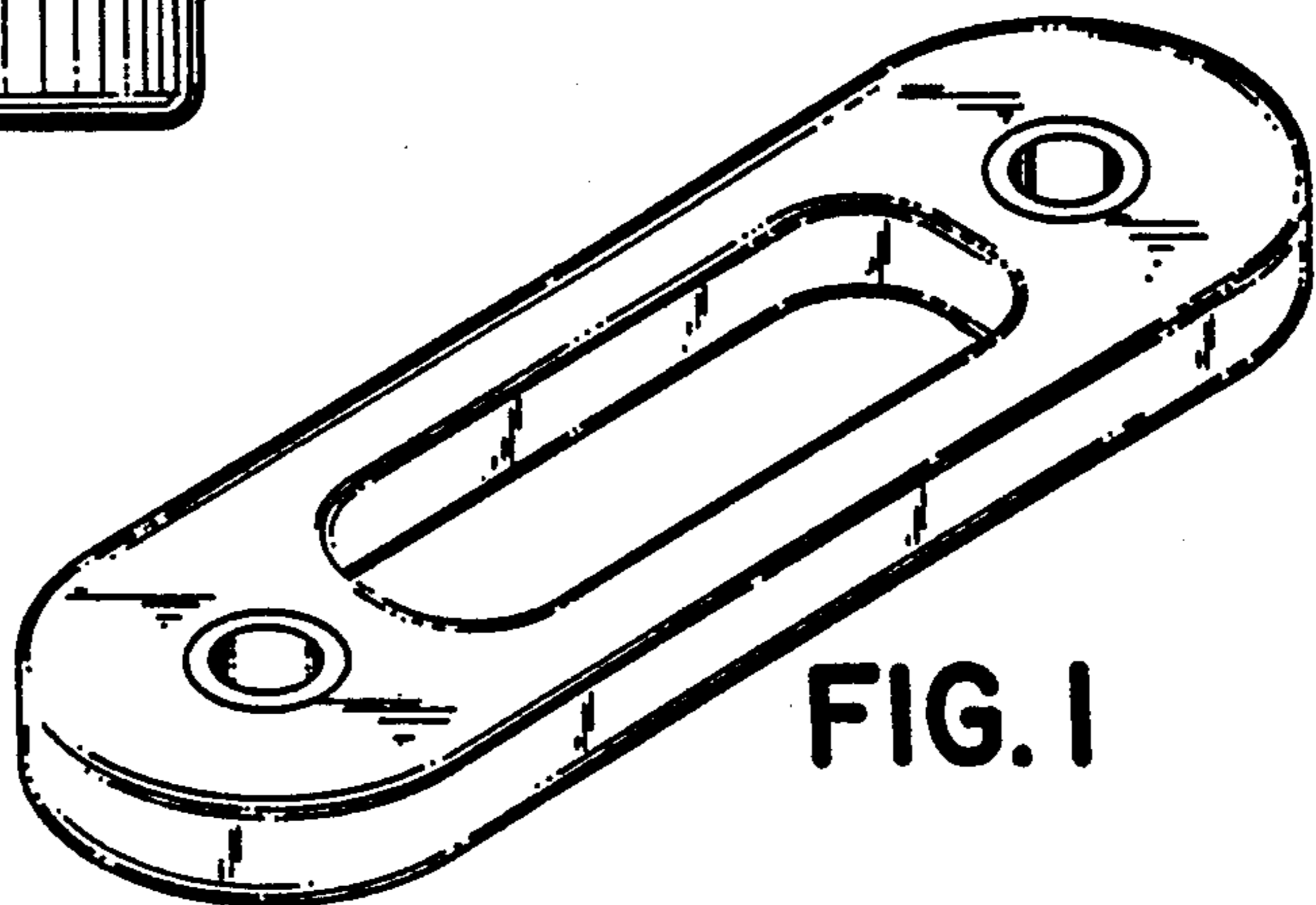


FIG. 1