

# United States Patent [19]

Wilson et al.

[11] Patent Number: **Des. 315,935**

[45] Date of Patent: **\*\* Apr. 2, 1991**

[54] **RESISTANCE STRAP FOR AN EXERCISE MACHINE**

4,623,267 11/1986 White ..... 384/220  
4,749,286 6/1988 White ..... 384/125

[75] Inventors: **Jerry L. Wilson**, 16170 SW. Jenne Lake Ct., Beaverton, Oreg. 97006;  
**Jon Schneider**, Hillsboro; **Frederick E. Collins**, Cresswell, both of Oreg.

*Primary Examiner*—Charles A. Rademaker  
*Assistant Examiner*—Raphael Barkai  
*Attorney, Agent, or Firm*—Chernoff, Vilhauer, McClung & Stenzel

[73] Assignee: **Jerry L. Wilson**, Hillsboro, Oreg.

[57] **CLAIM**

[\*\*] Term: **14 Years**

The ornamental design for a resistance strap for an exercise machine, as shown and described.

[21] Appl. No.: **243,650**

**DESCRIPTION**

[22] Filed: **Sep. 12, 1988**

[52] U.S. Cl. .... **D21/191**

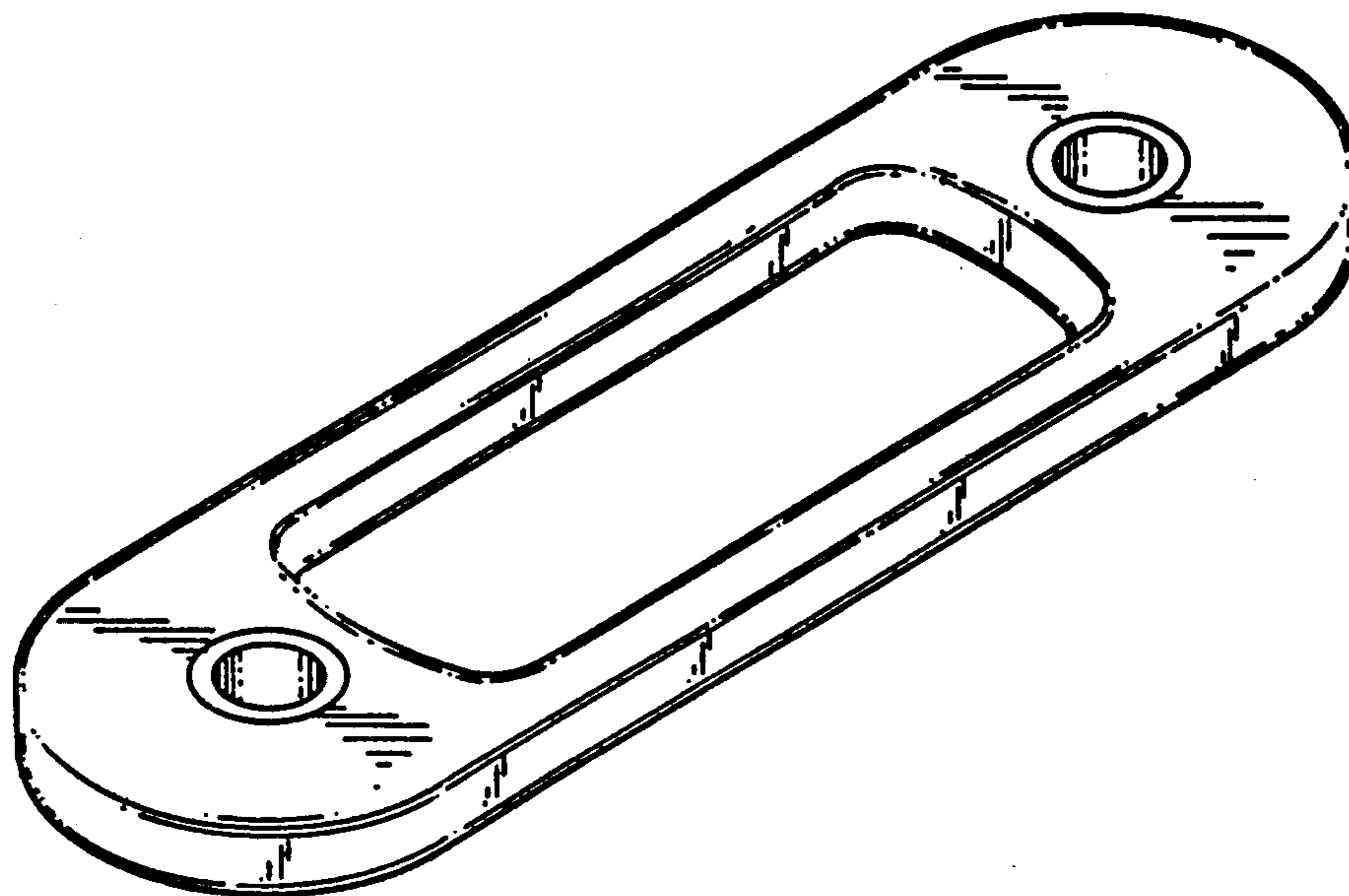
[58] Field of Search ..... D21/191, 196; D15/148;  
384/125, 220, 296, 297, 907; 272/140, 142

FIG. 1 is a perspective view of a resistance strap for an exercise machine showing our new design;  
FIG. 2 is a top plan view thereof, the bottom being identical;  
FIG. 3 is a right end elevational view thereof, the end opposite being identical; and,  
FIG. 4 is a front end elevational view thereof, the end opposite being identical.

[56] **References Cited**

**U.S. PATENT DOCUMENTS**

D. 280,224 8/1985 Wilson ..... D21/191



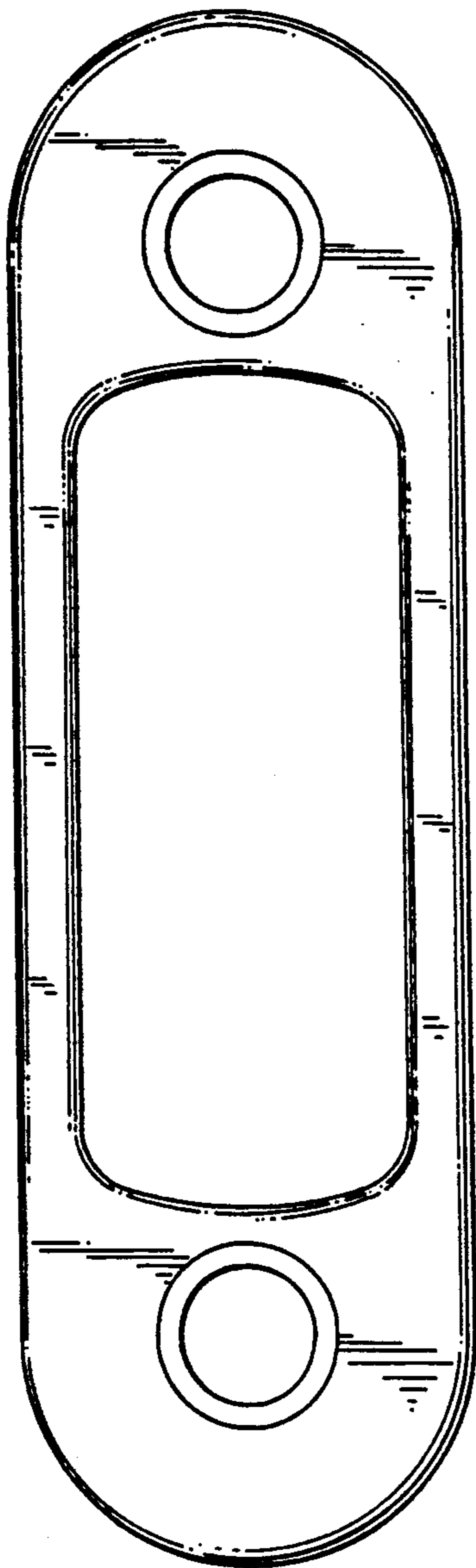


FIG. 2

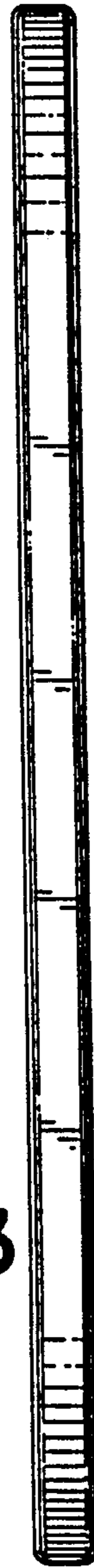


FIG. 3



FIG. 4

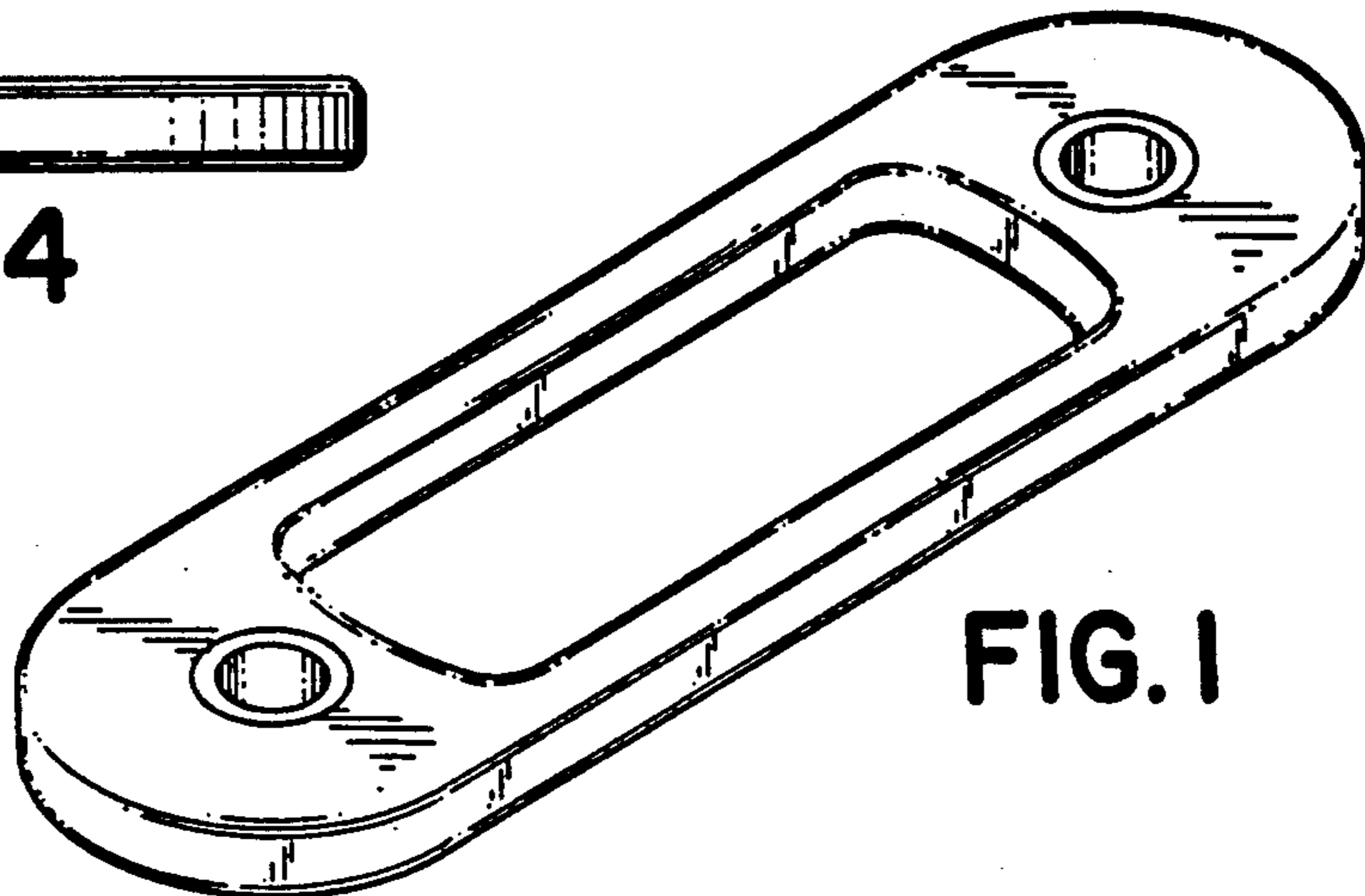


FIG. 1