

[54] **TOY CAR**

[75] **Inventor: Ib H. Berggren, Vedbaek, Denmark**

[73] **Assignee: Interlego AG, Baar, Switzerland**

[\*\*] **Term: 14 Years**

[21] **Appl. No.: 443,231**

[22] **Filed: Nov. 29, 1989**

[52] **U.S. Cl. .... D21/128**

[58] **Field of Search ..... D21/128, 134-137,  
D21/141; D12/98; 446/435, 465, 470**

[56] **References Cited**

**U.S. PATENT DOCUMENTS**

D. 227,921	7/1973	Tachi .....	D21/136
D. 238,595	1/1976	Goldfarb .....	D21/136
D. 260,665	9/1981	Yamashina .....	D21/136
D. 262,564	1/1982	Yamashina .....	D21/136
D. 264,107	4/1982	Orenstein .....	D21/137

**OTHER PUBLICATIONS**

Playthings, Sep., 1988, p. 44, center.  
Fisher Price '87, Toy Fair Catalog, p. 64, center.

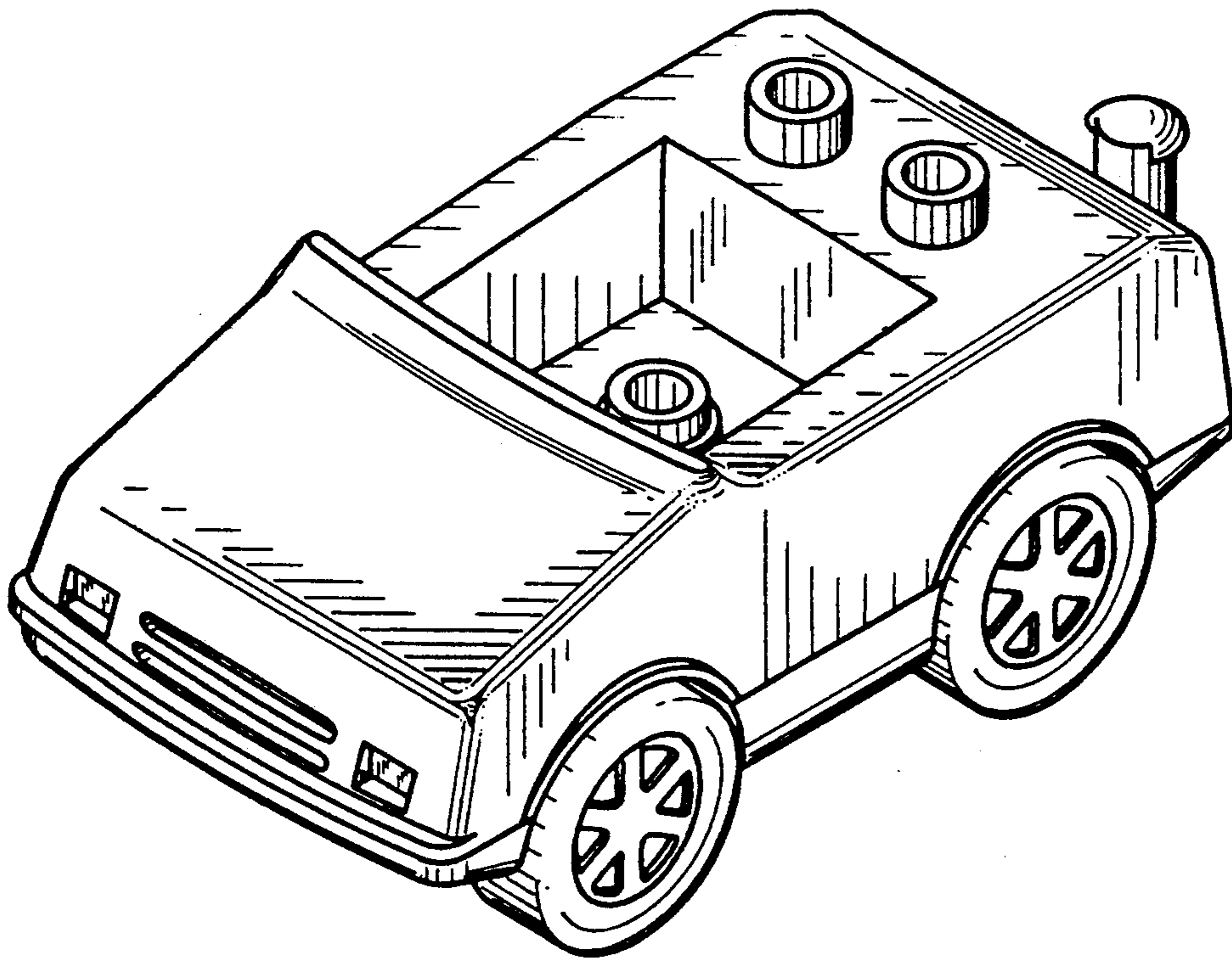
*Primary Examiner*—Charles A. Rademaker  
*Assistant Examiner*—R. Barkai  
*Attorney, Agent, or Firm*—Kane, Dalsimer, Sullivan,  
Kurucz, Levy, Eisele and Richard

[57] **CLAIM**

The ornamental design for a toy car, as shown and described.

**DESCRIPTION**

FIG. 1 is a top perspective view of a toy car showing my new design,  
FIG. 2 is a bottom perspective view thereof,  
FIG. 3 is a front elevational view thereof,  
FIG. 4 is a side elevational view thereof, the side opposite being a mirror image;  
FIG. 5 is a rear elevational view thereof,  
FIG. 6 is a top plan view thereof, and  
FIG. 7 is a bottom plan view thereof.



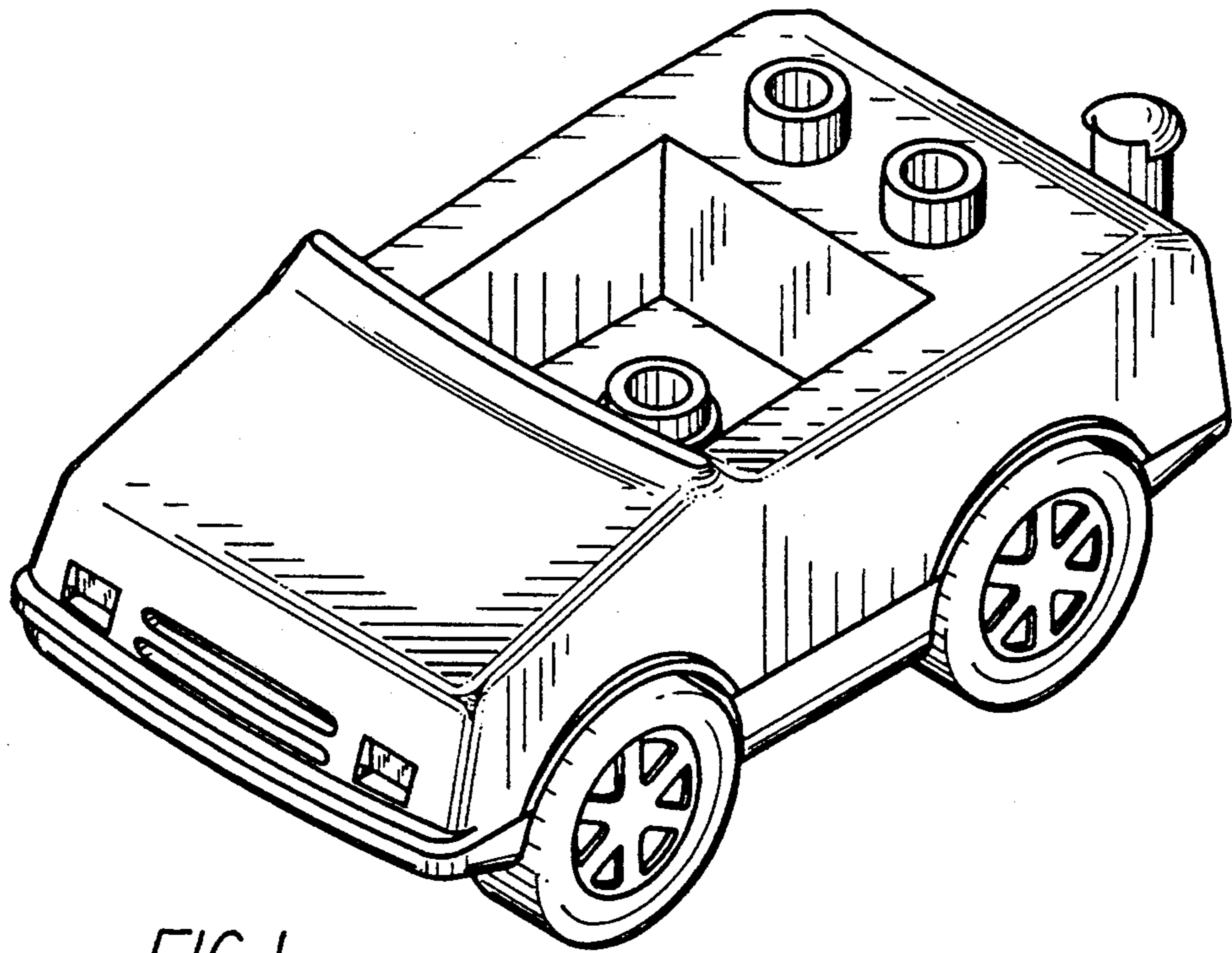


FIG. 1

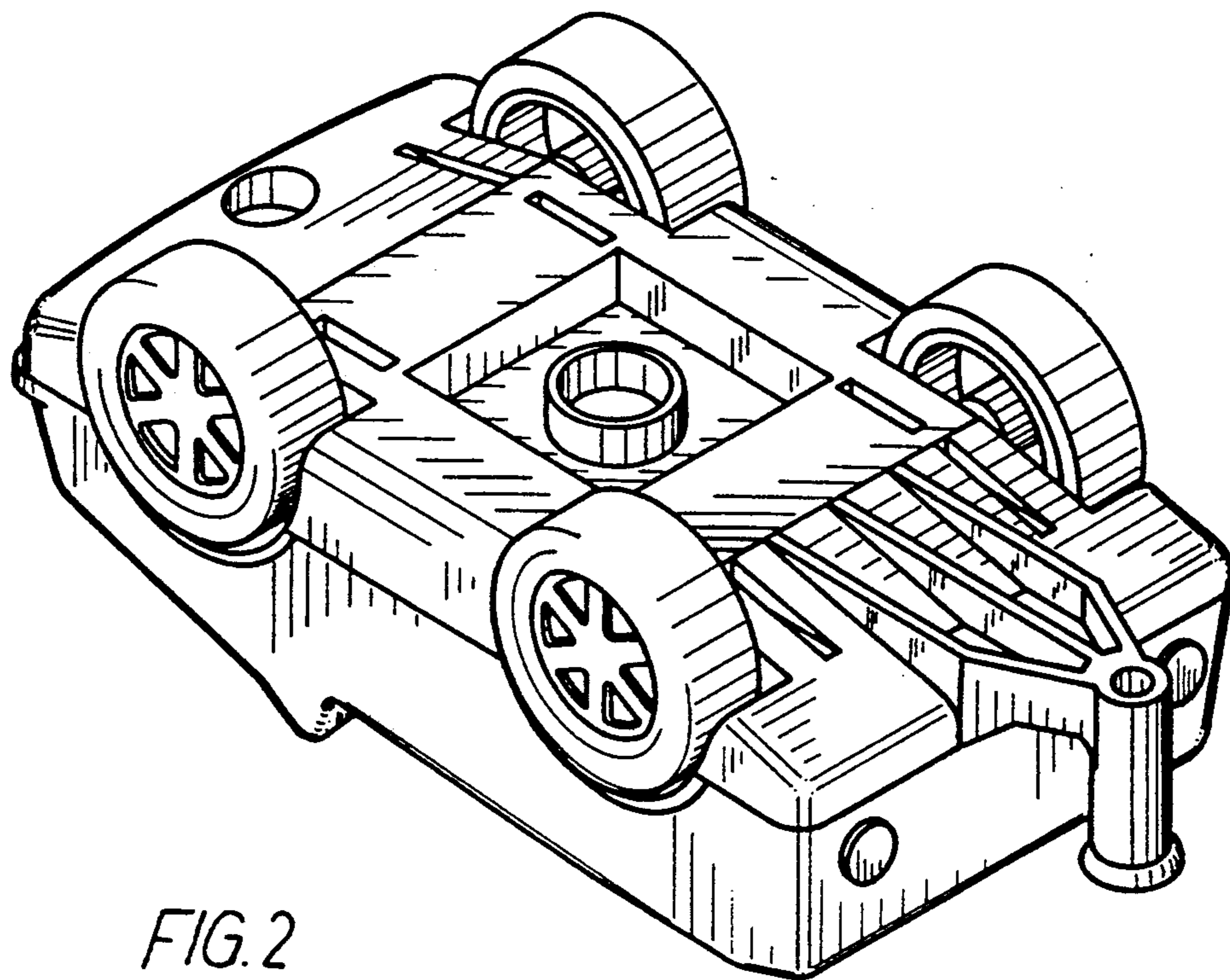


FIG. 2

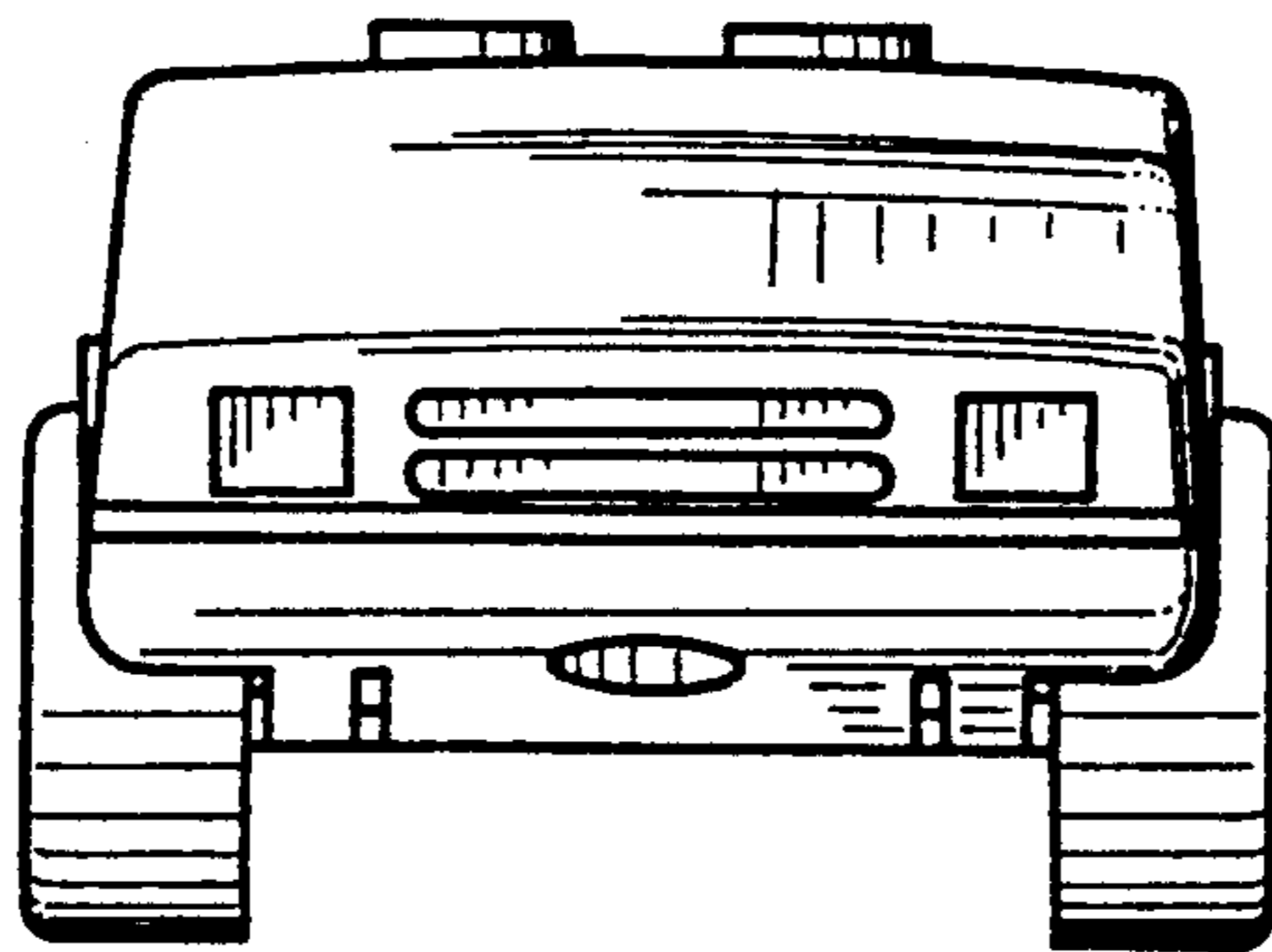


FIG. 3

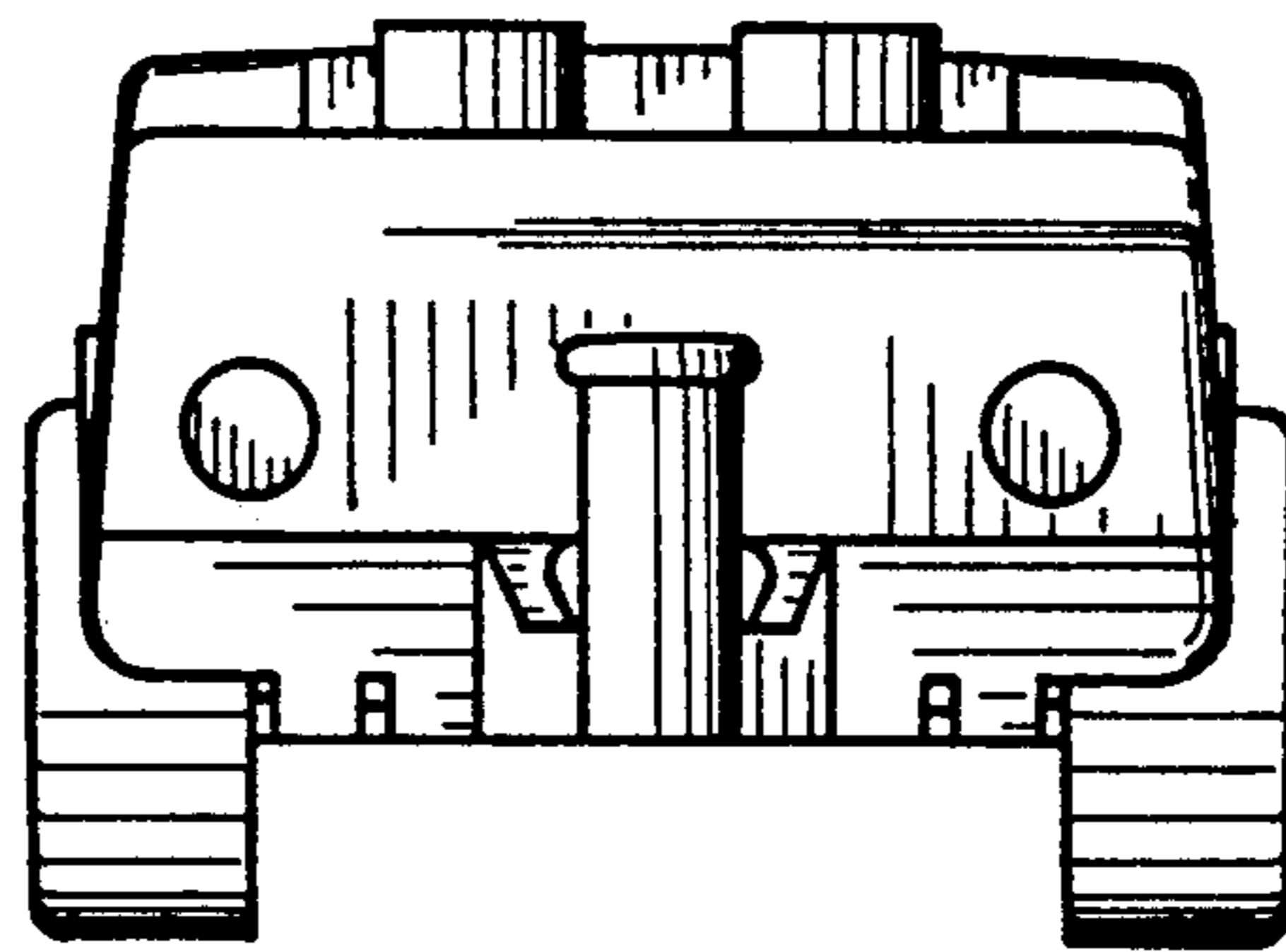


FIG. 5

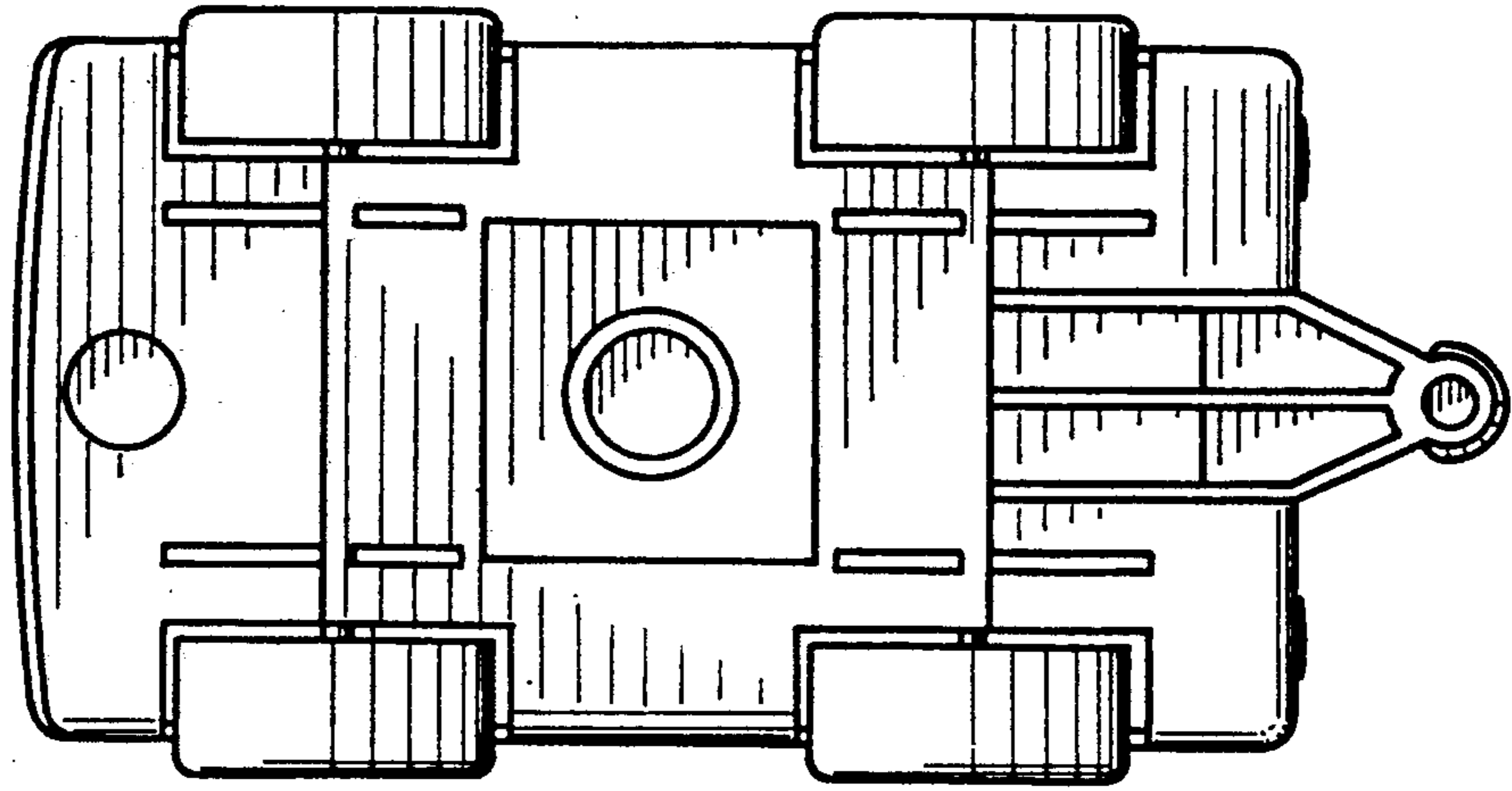


FIG. 7

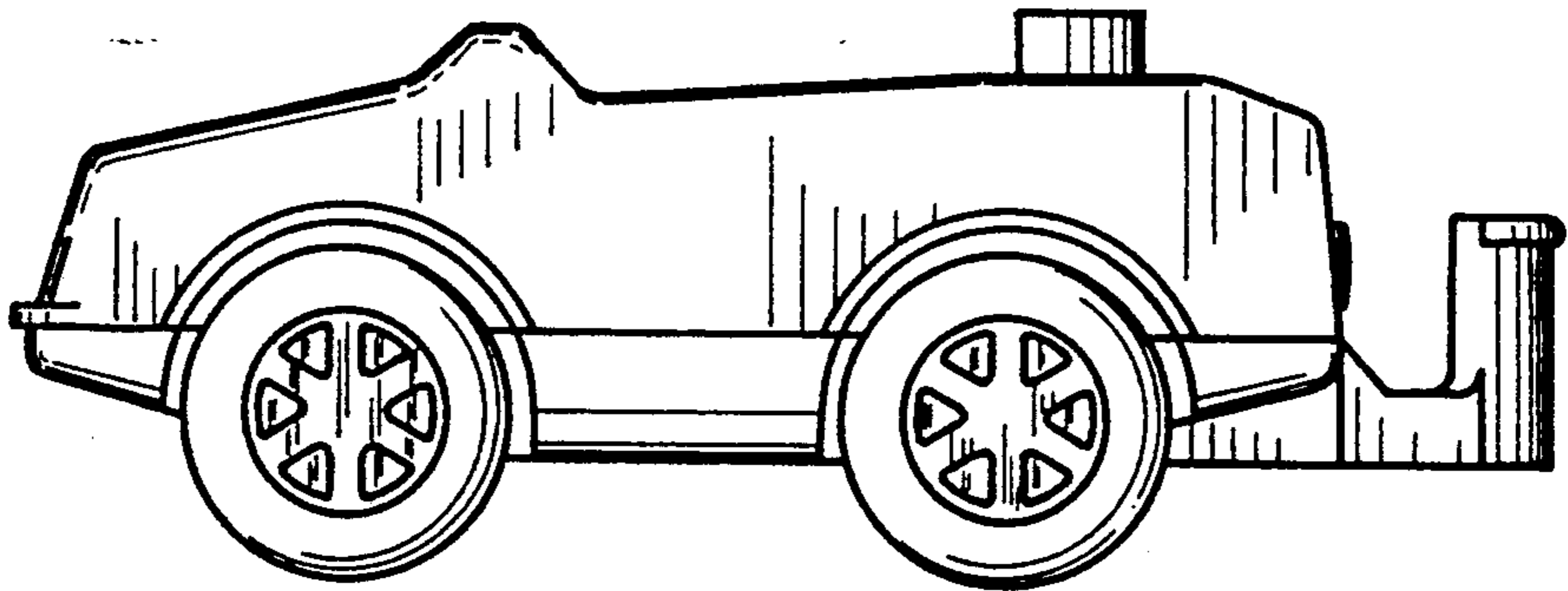


FIG. 4

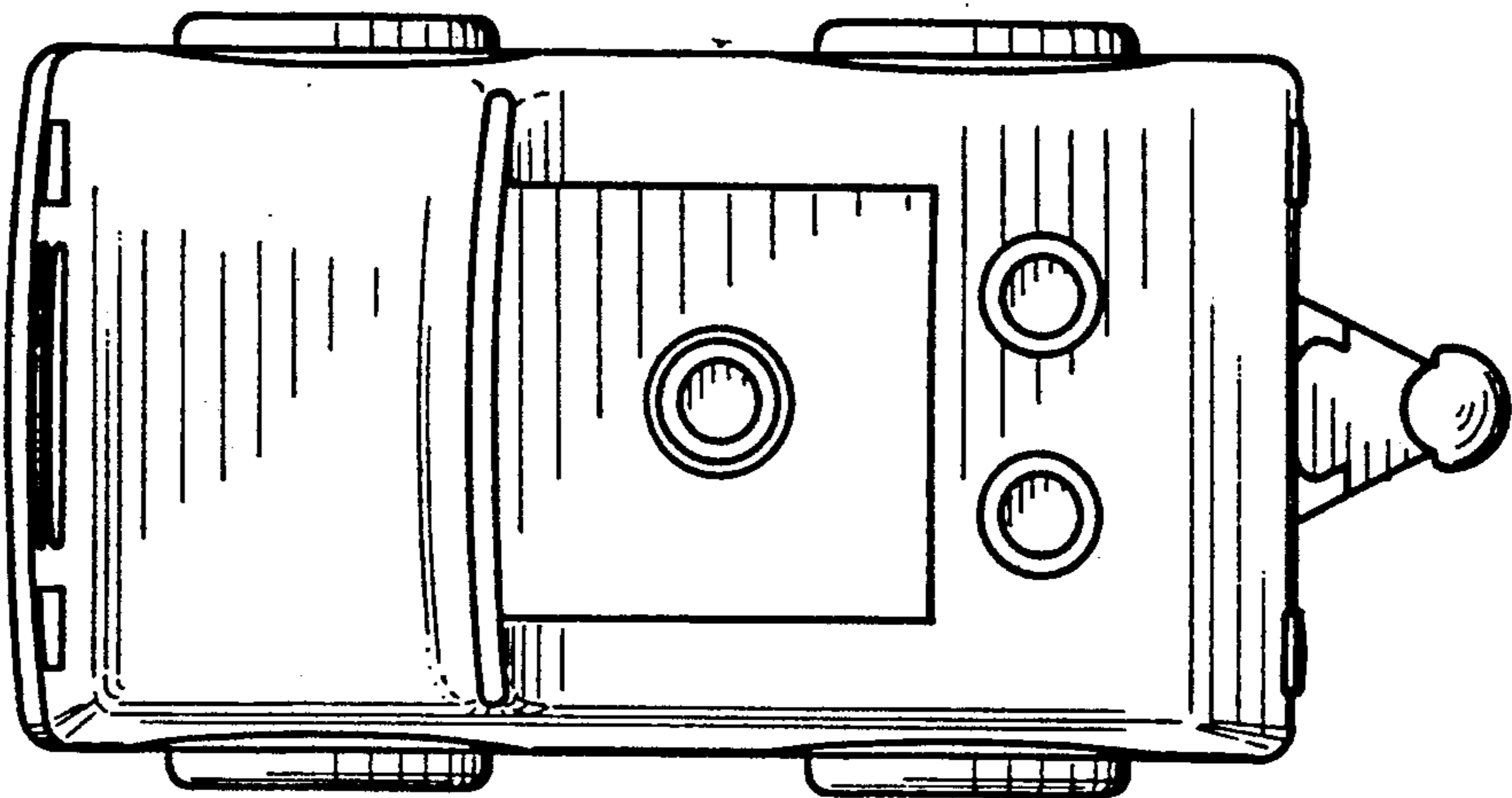


FIG. 6