

[54] **TOY SWING**

[75] **Inventors: Harry S. Thomson, Richmond; David M. Raffo, Gildern Sutton; John A. Pape, Hitchin, all of England**

[73] **Assignee: Hestair Kiddicraft Limited, Bristol, England**

[\*\*] **Term: 14 Years**

[21] **Appl. No.: 354,678**

[22] **Filed: May 19, 1989**

[52] **U.S. Cl. .... D21/123**

[58] **Field of Search .... D21/122-124; D6/344, 347; 446/479, 425, 396, 482**

[56] **References Cited**

**U.S. PATENT DOCUMENTS**

- D. 157,215 2/1950 Thomas ..... D21/123
- D. 276,927 12/1984 Bolin ..... D21/123
- D. 294,375 2/1988 Lowry ..... D21/123

*Primary Examiner*—Charles A. Rademaker

[57] **CLAIM**

The ornamental design for a toy swing, as shown and described.

**DESCRIPTION**

- FIG. 1 is a perspective view of a toy swing showing our new design.
- FIG. 2 is a front elevational view thereof.
- FIG. 3 is a rear elevational view thereof.
- FIG. 4 is a right side elevational view thereof.
- FIG. 5 is a left side elevational view thereof.
- FIG. 6 is a top plan view thereof.
- FIG. 7 is a bottom plan view thereof.

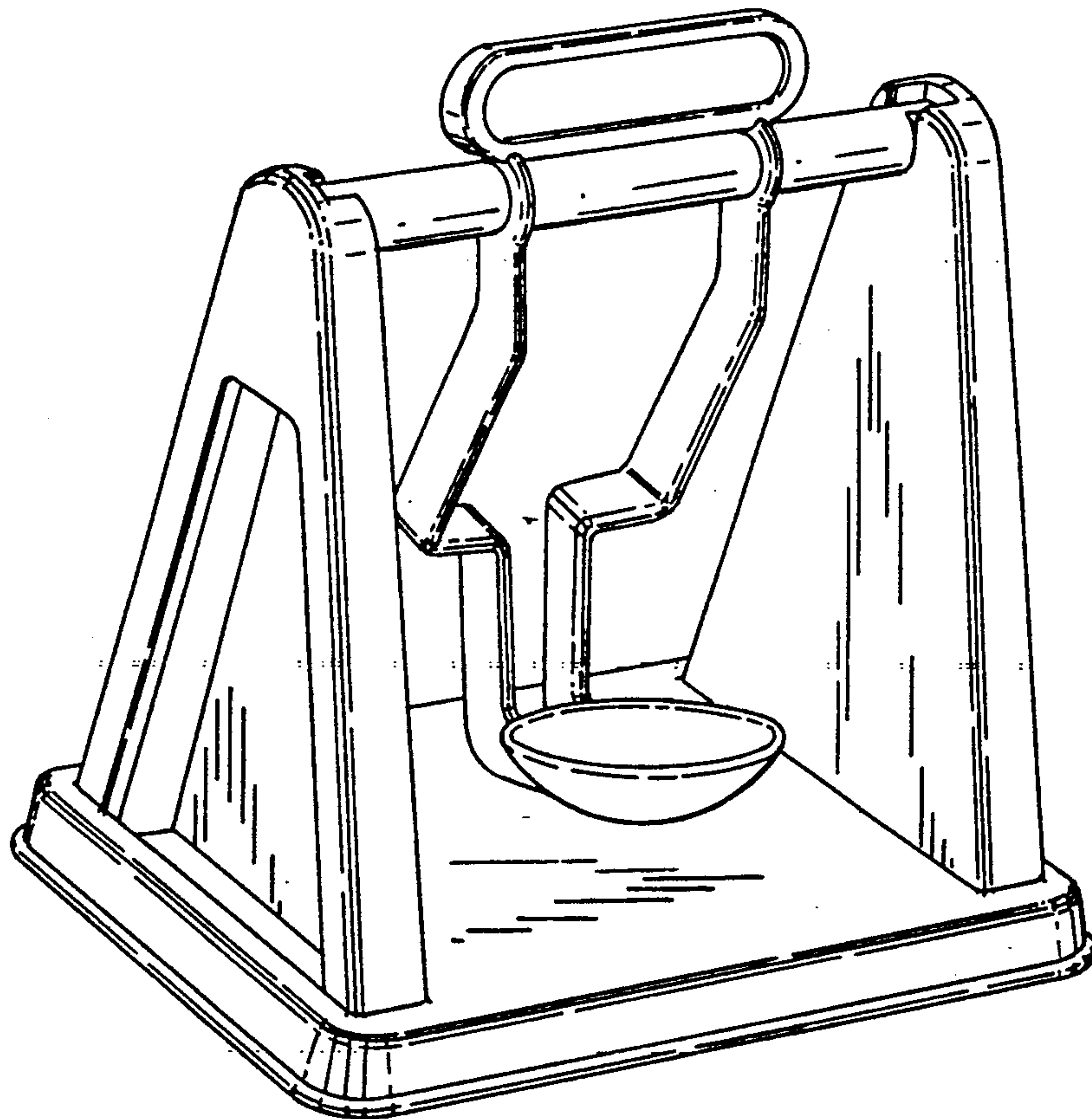
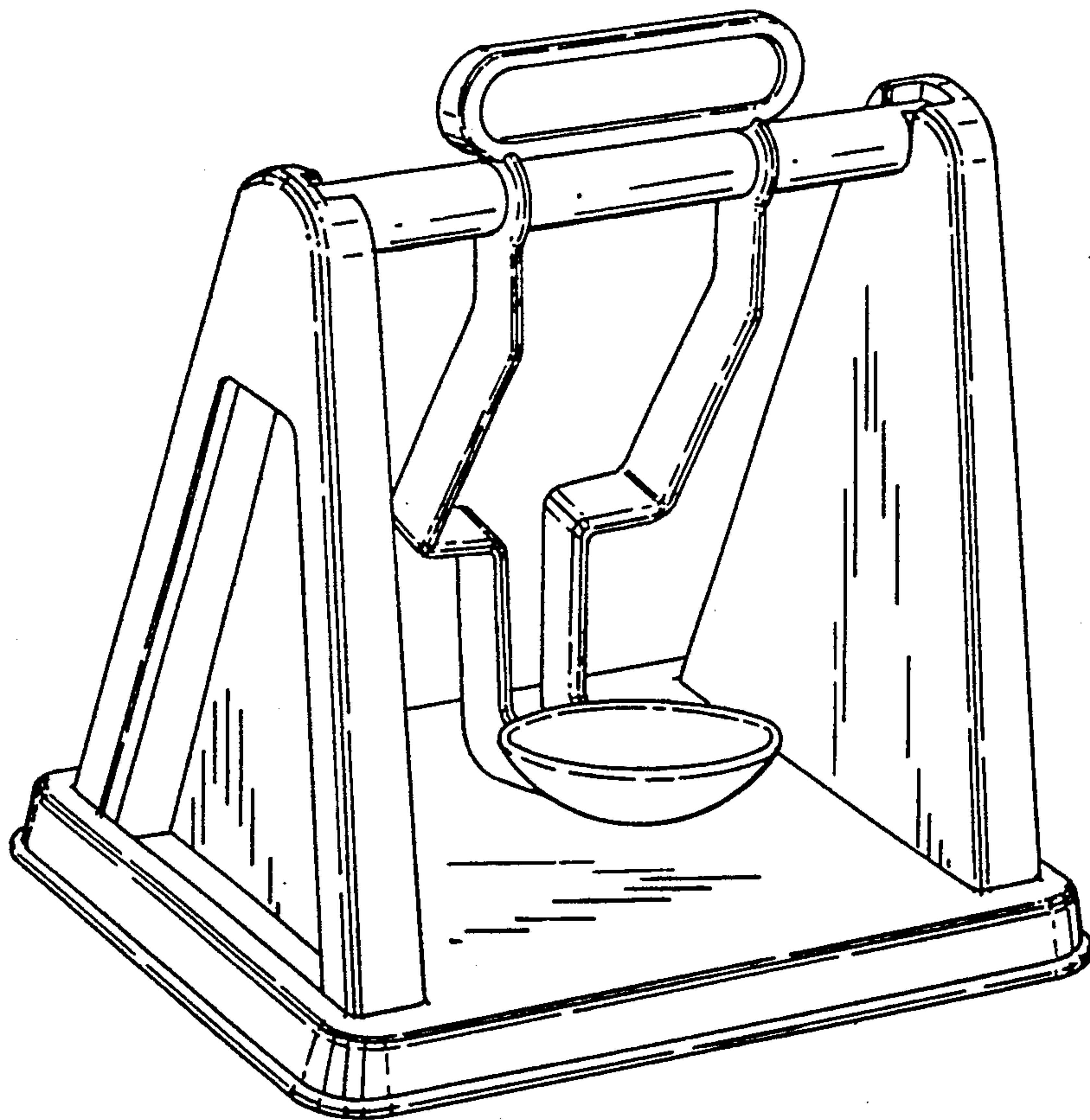


FIG. 1



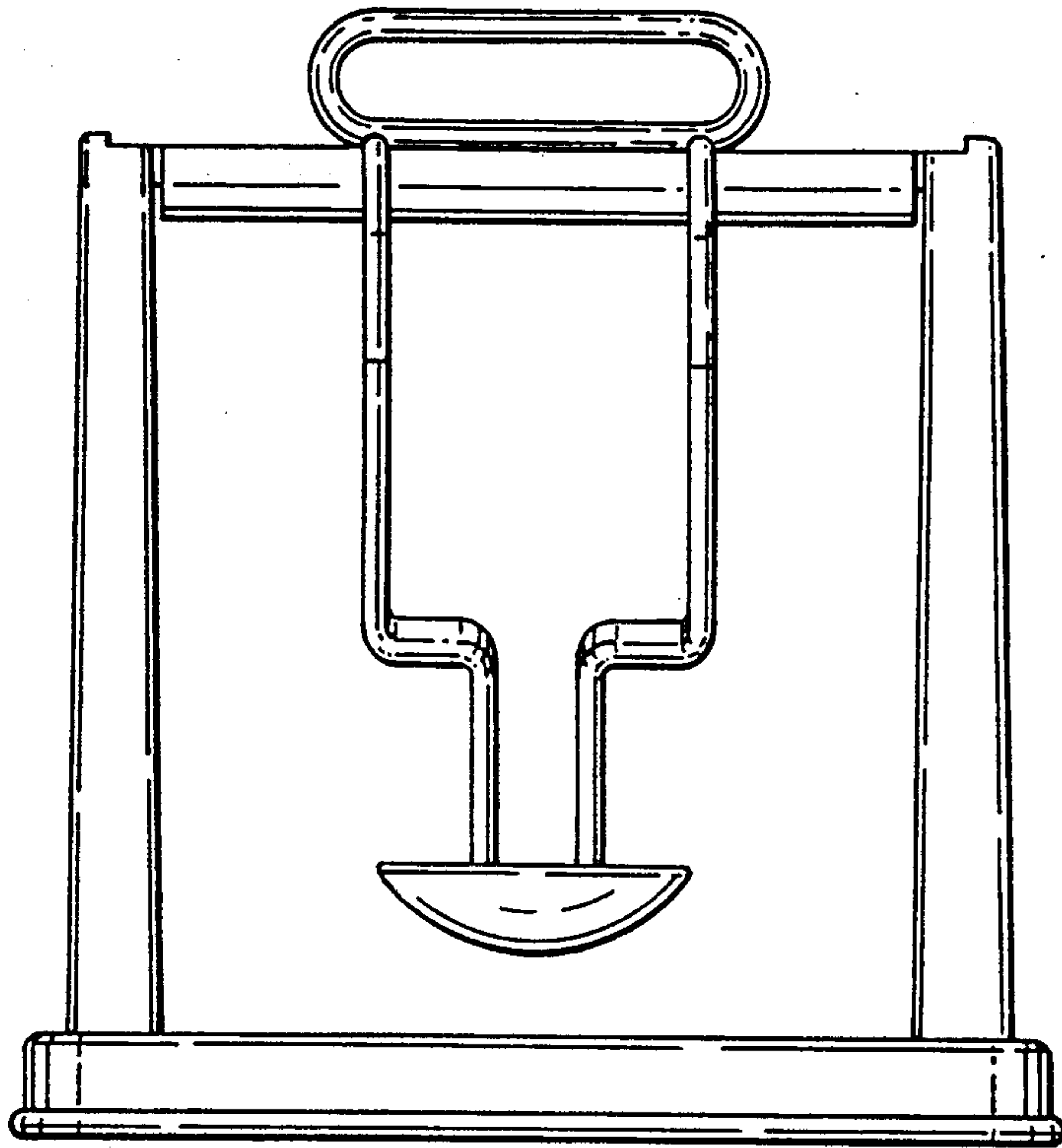


FIG. 2

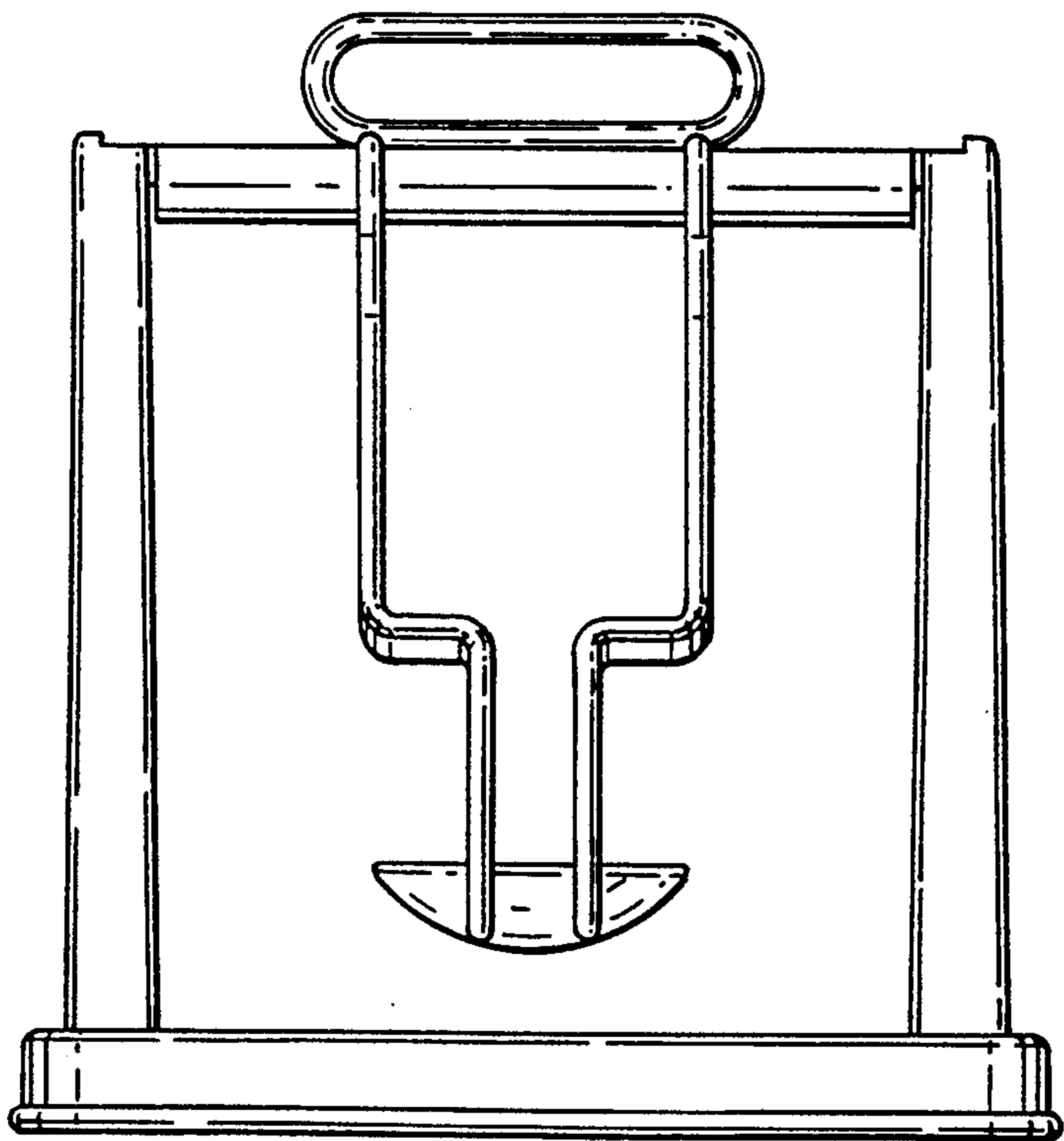


FIG. 3

FIG.4

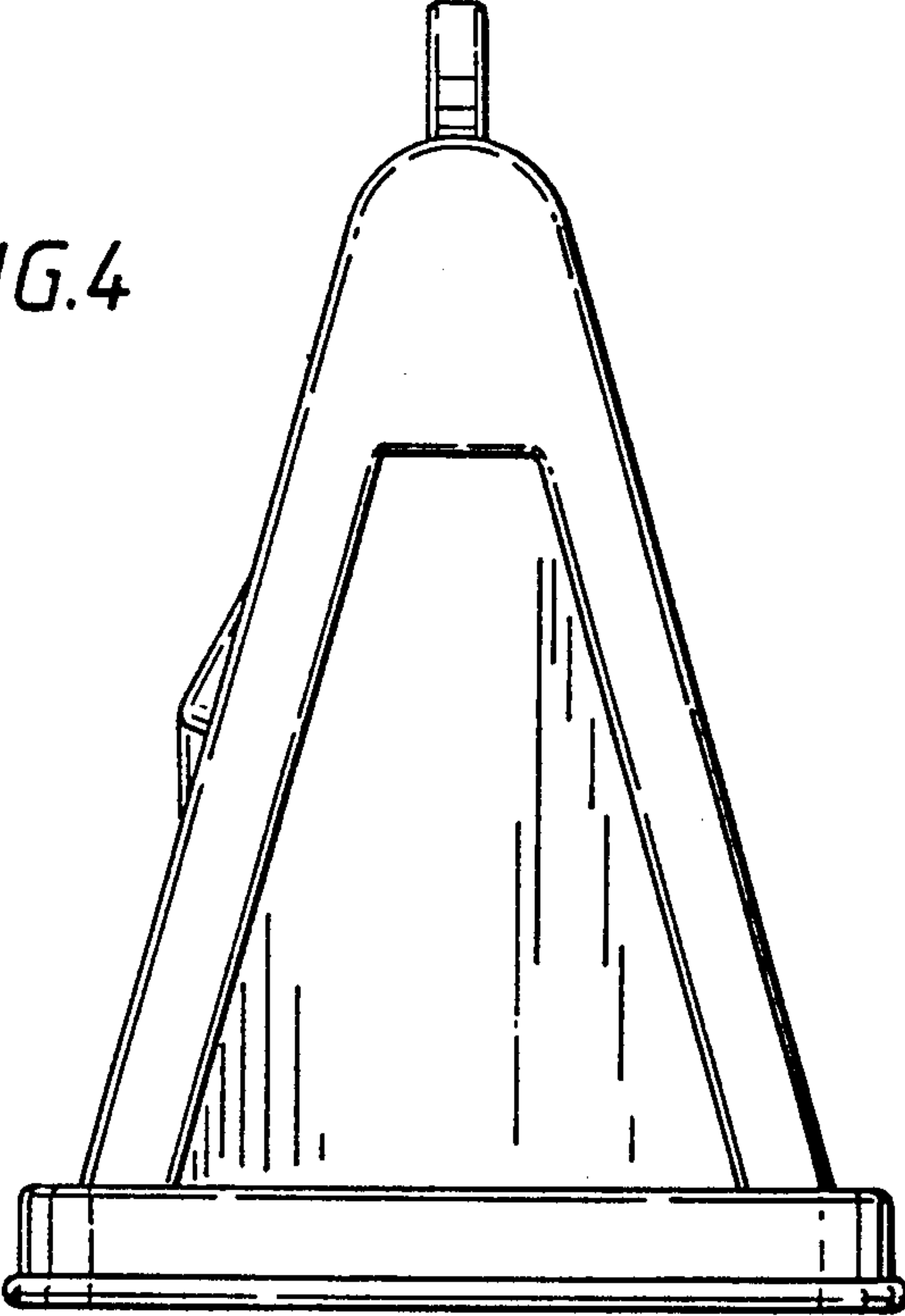


FIG.5

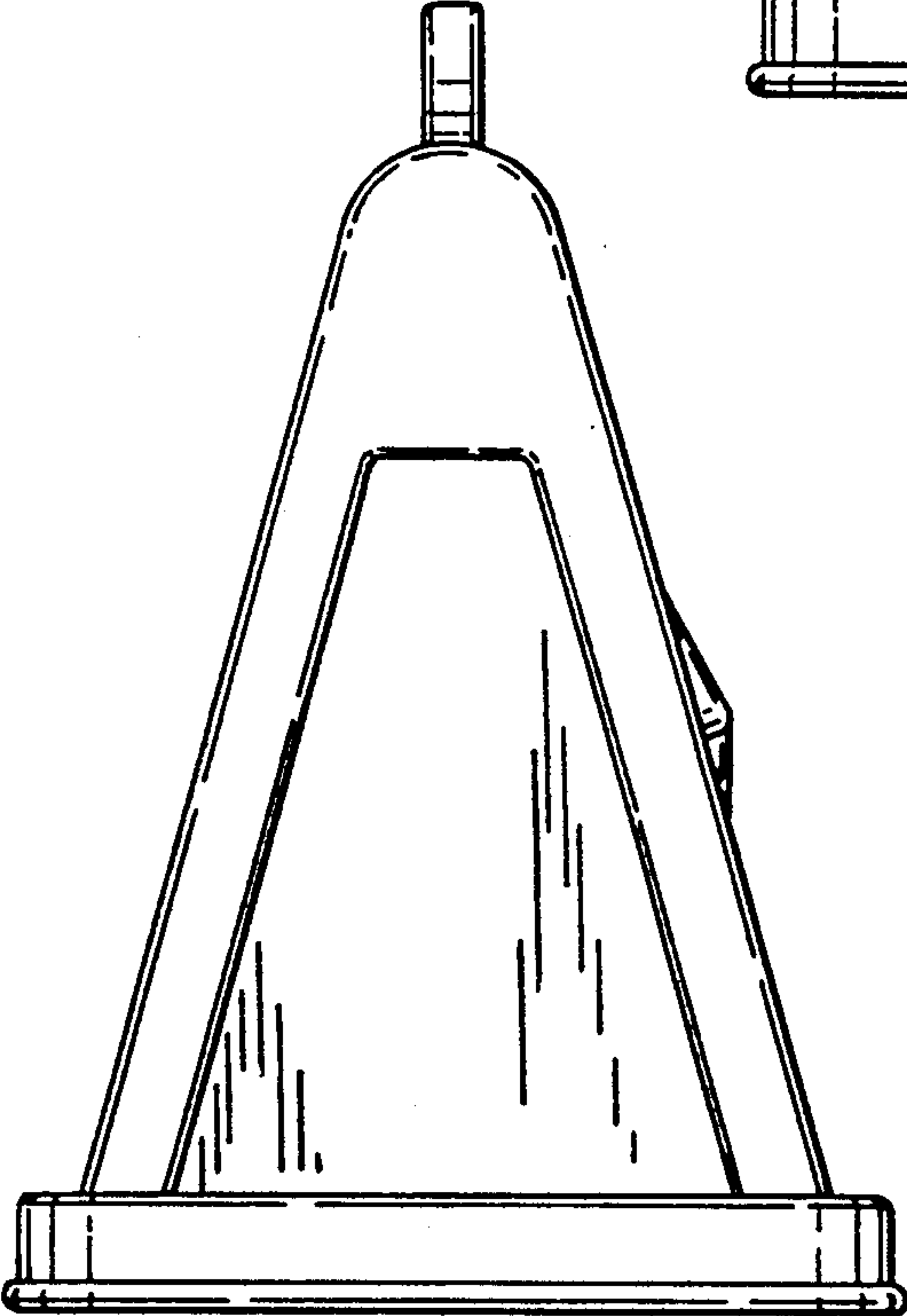


FIG. 6

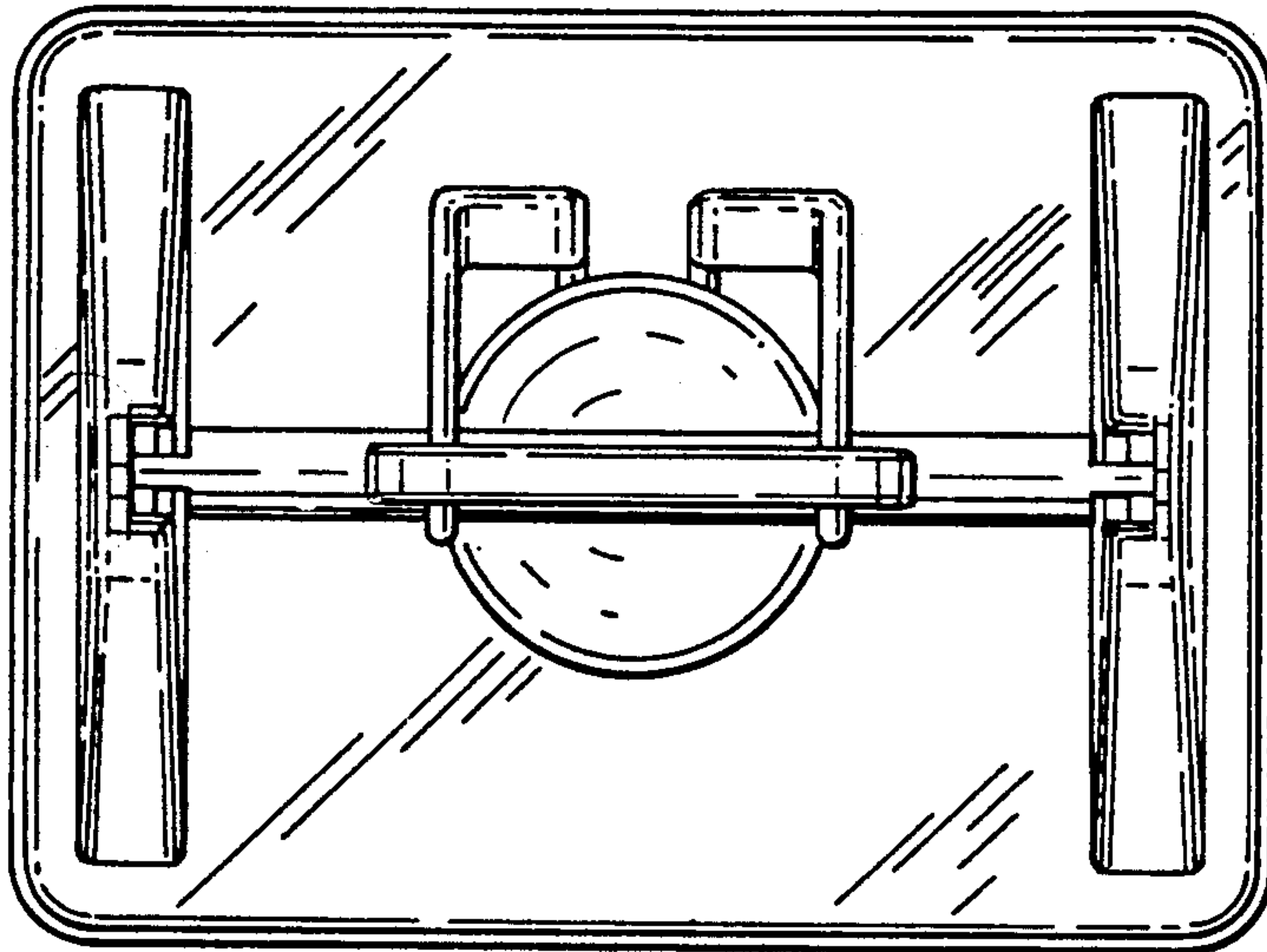


FIG. 7

