

# United States Patent [19]

Bush

[11] Patent Number: **Des. 315,929**

[45] Date of Patent: **\*\* Apr. 2, 1991**

[54] **BI-PLANE ROCKING TOY**

[76] Inventor: **Thomas J. Bush**, 123 Cherry Brook Rd., Canton Center, Conn. 06020

[\*\*] Term: **14 Years**

[21] Appl. No.: **285,232**

[22] Filed: **Dec. 16, 1988**

[52] U.S. Cl. .... **D21/68**

[58] Field of Search ..... **D21/71, 73, 74, 75, D21/77, 66, 68, 69, 70; 272/52, 52.5, 53.1, 53.2**

[56] **References Cited**

**U.S. PATENT DOCUMENTS**

- D. 54,879 4/1920 Wuyckhuysen ..... D21/68
- D. 81,350 6/1930 Rousseau ..... D21/68
- D. 142,257 8/1945 Horowitz ..... D21/68

- D. 152,524 2/1949 Flatt ..... D21/68
- D. 243,545 3/1977 Seegers ..... D21/70

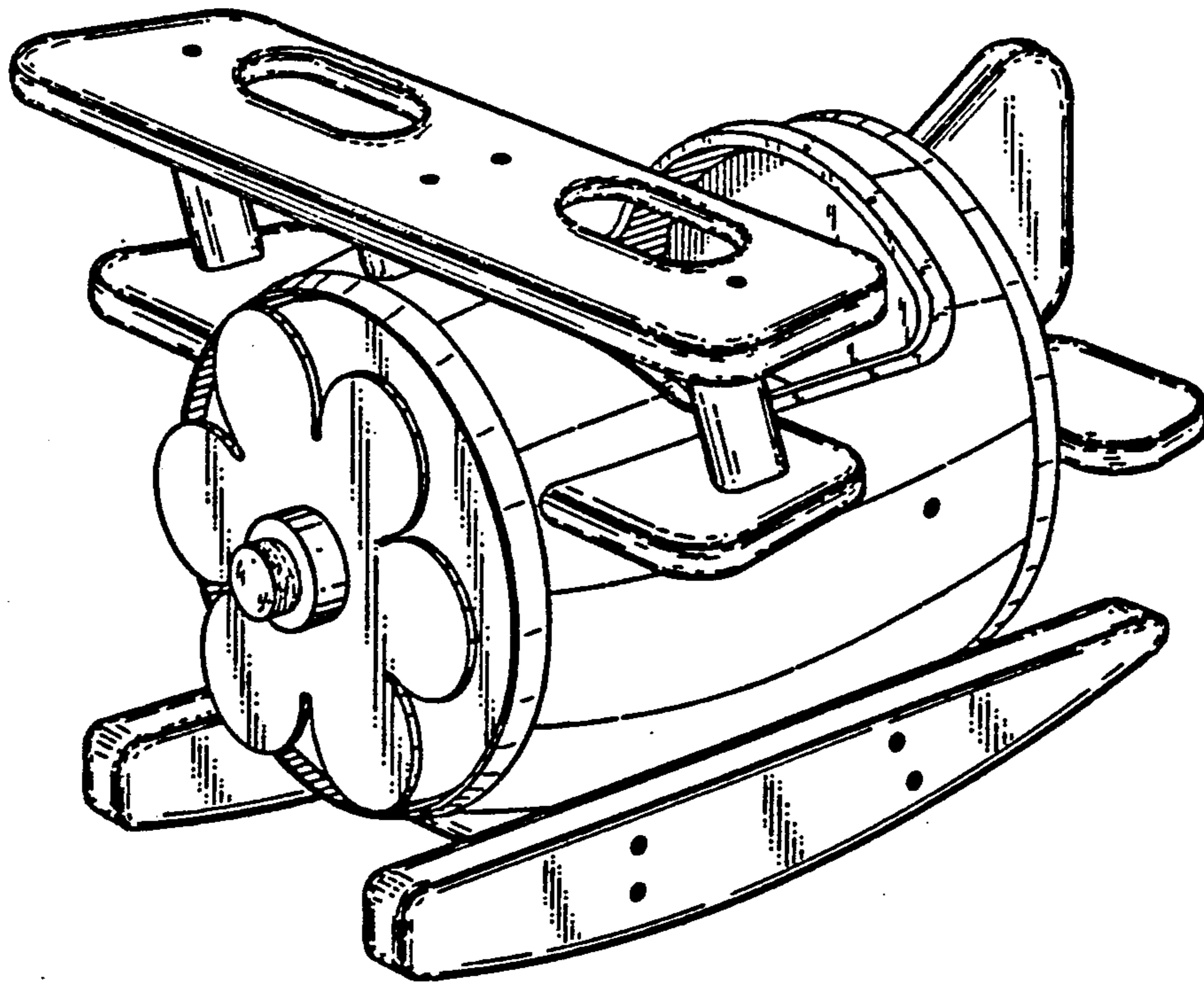
*Primary Examiner*—Charles A. Rademaker  
*Attorney, Agent, or Firm*—Chilton, Alix & Van Kirk

[57] **CLAIM**

The ornamental design of a bi-plane rocking toy, as shown and described.

**DESCRIPTION**

FIG. 1 is a top plan view of the bi-plane rocking toy showing my new design;  
FIG. 2 is a side elevational view thereof, the opposite side being substantially a mirror image;  
FIG. 3 is a bottom plan view thereof;  
FIG. 4 is a front elevational view thereof;  
FIG. 5 is a rear elevational view thereof; and  
FIG. 6 is a perspective view thereof.



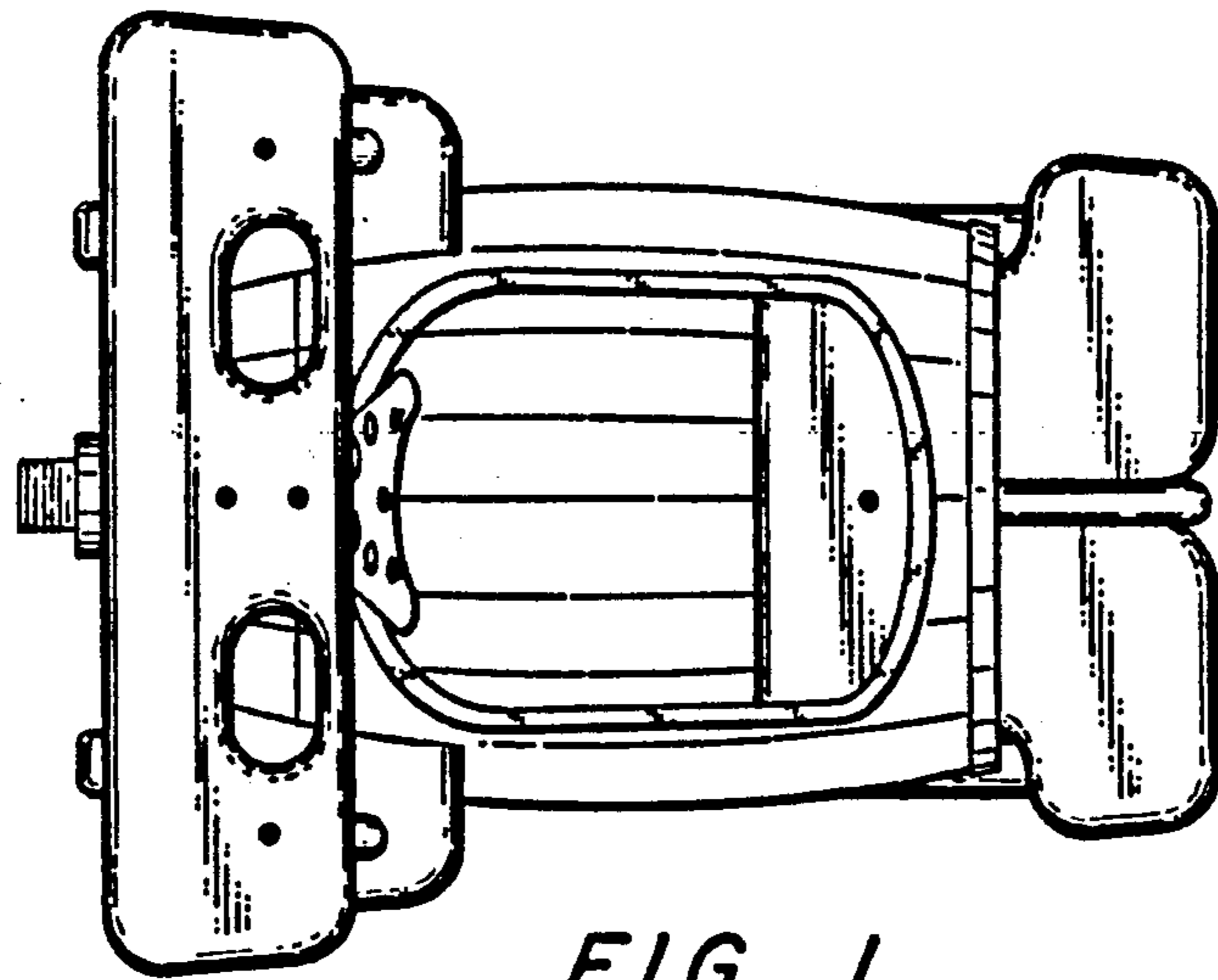


FIG. 1

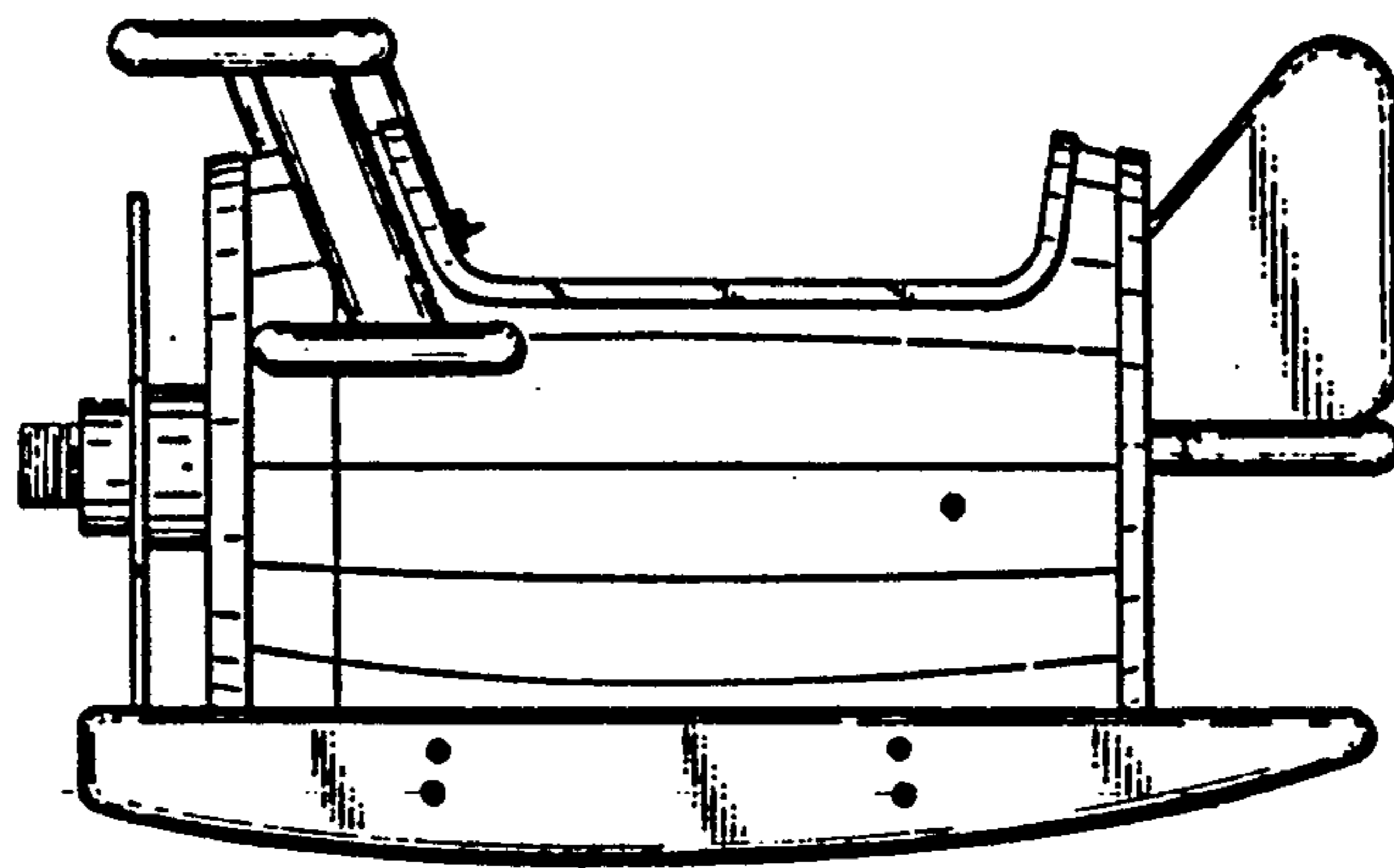


FIG. 2

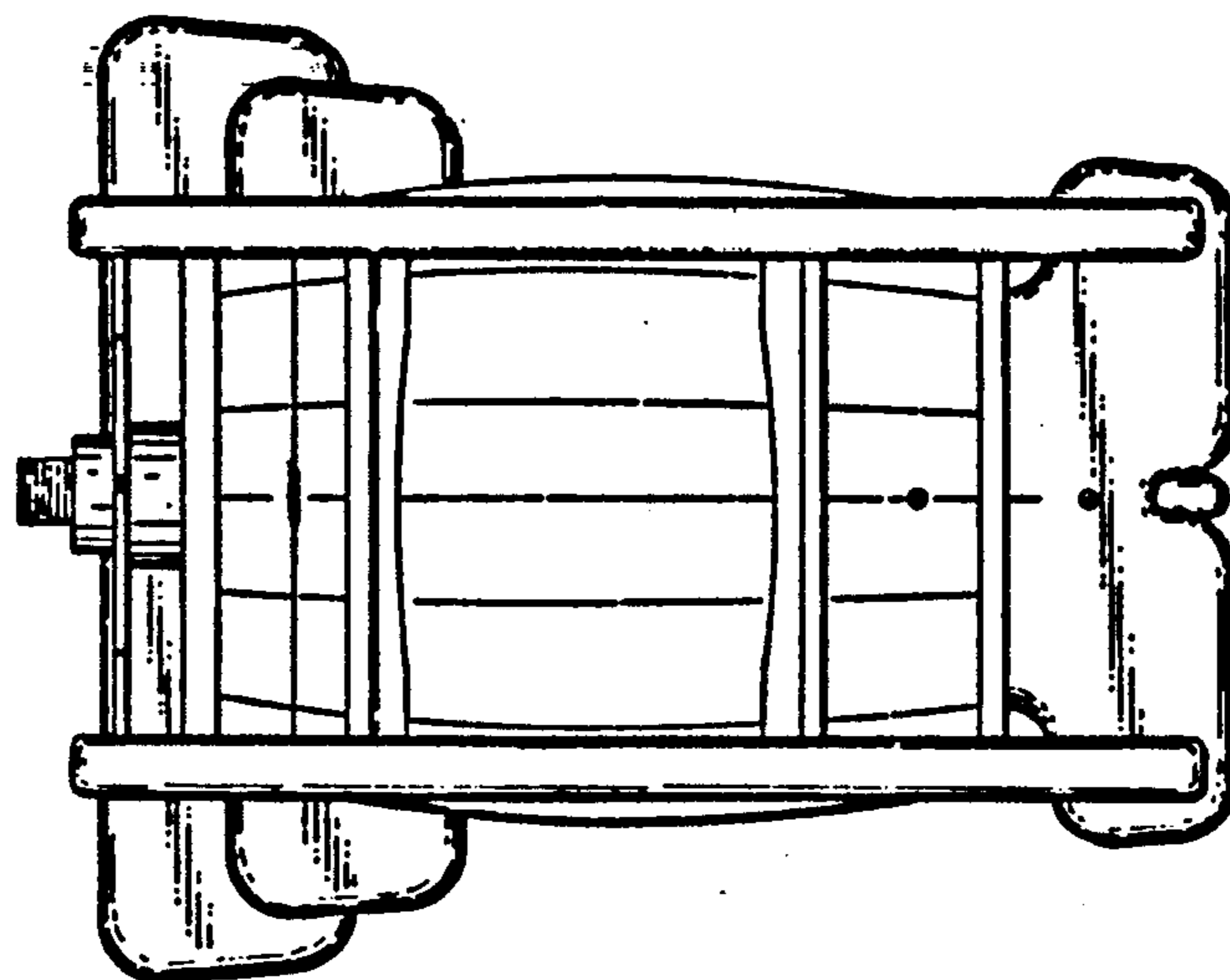


FIG. 3

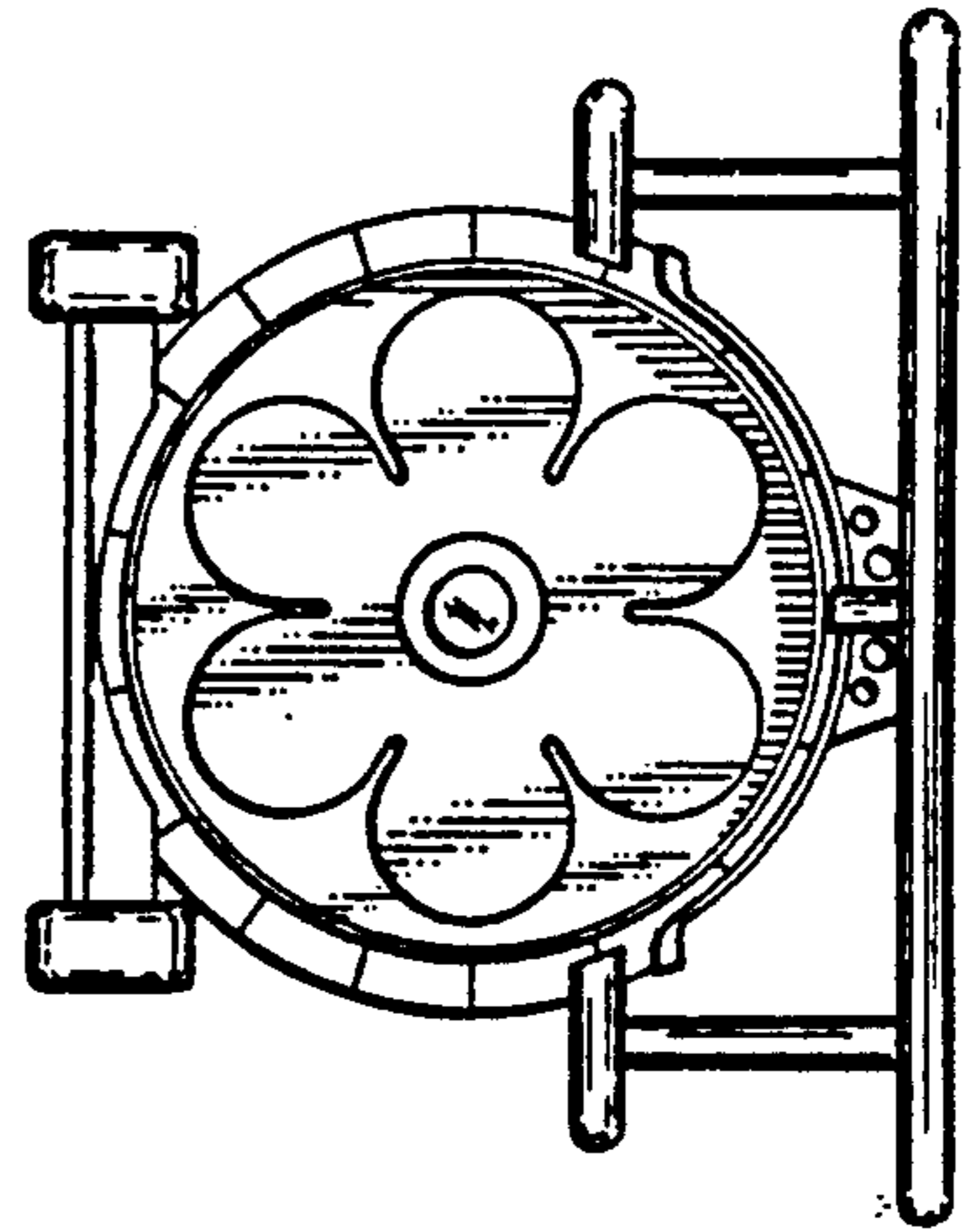


FIG. 4

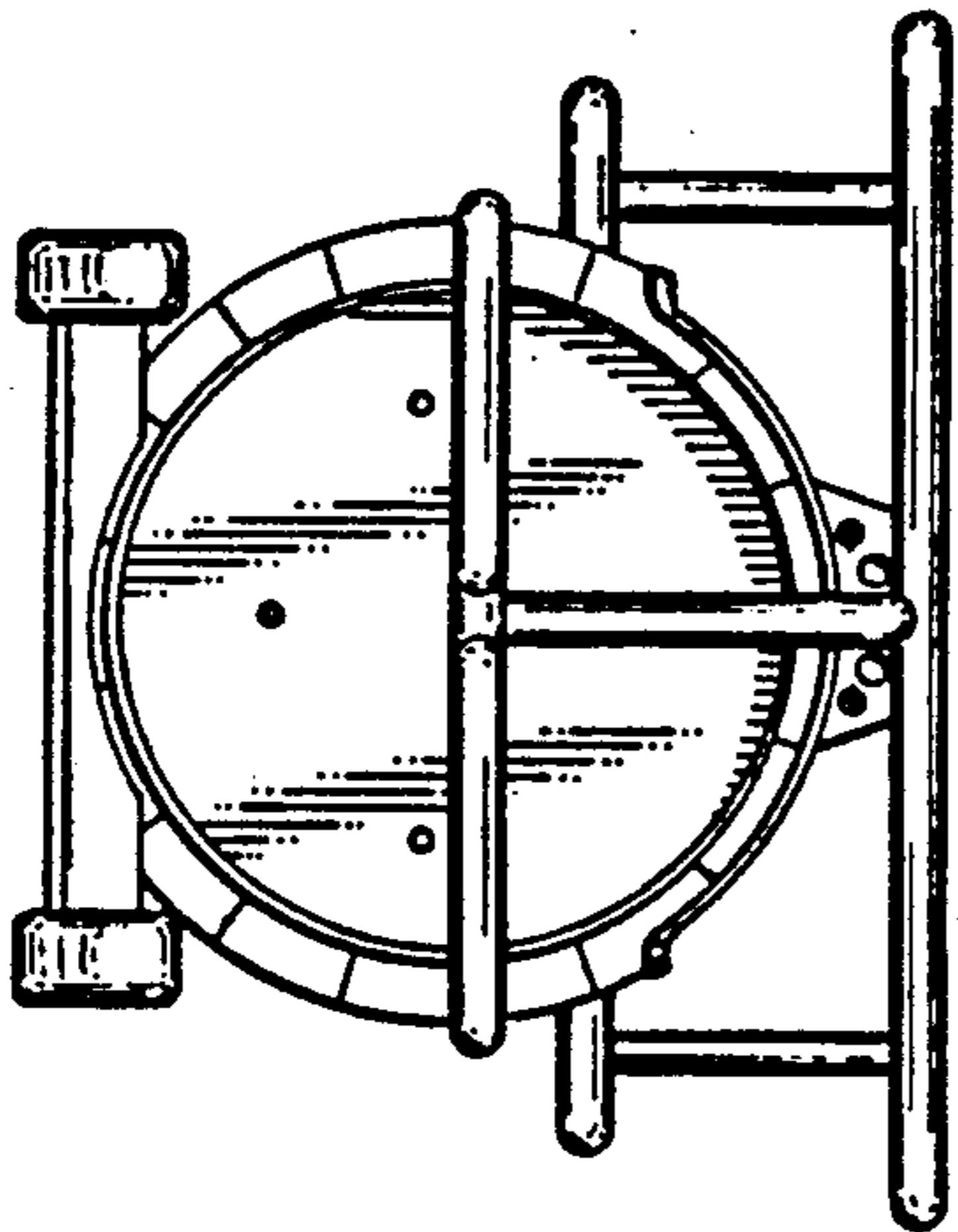


FIG. 5

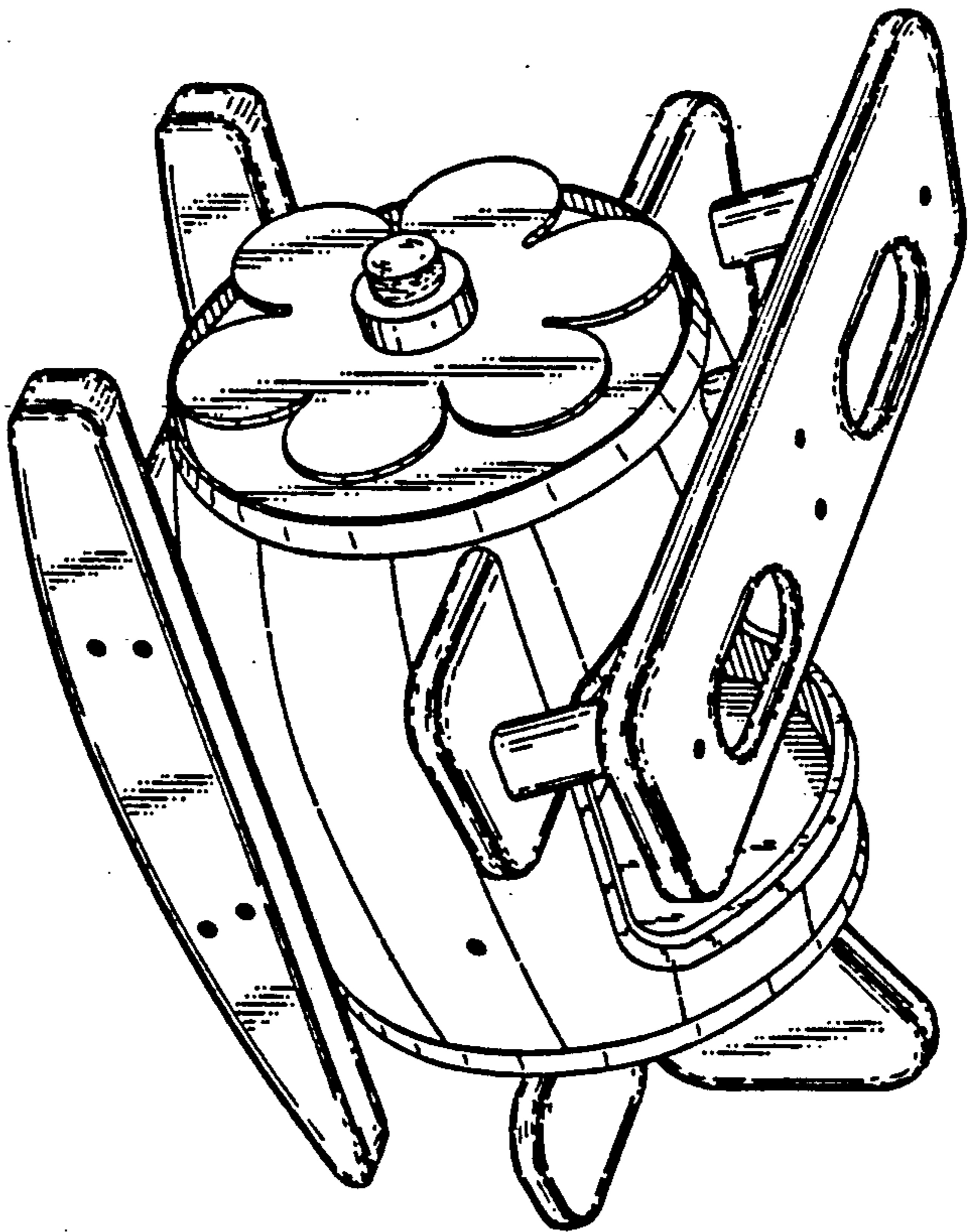


FIG. 6