

[54] MULTI-FORM FEEDER FOR PRINTER

[75] Inventors: H. Charles Hassel, Los Angeles; Donald Westland, Venice, both of Calif.

[73] Assignee: MicroComputer Accessories, Inc., Los Angeles, Calif.

[**] Term: 14 Years

[21] Appl. No.: 108,041

[22] Filed: Oct. 14, 1987

[52] U.S. Cl. D18/22

[58] Field of Search D14/114; D18/12, 22, D18/110; 400/691, 613, 613.2, 605; 271/2.1, 8.1-10; 226/74, 76; 211/45; 248/174

[56] References Cited

U.S. PATENT DOCUMENTS

448,811	3/1891	Armstrong	211/45
1,821,528	9/1931	Smith	400/519.5
1,876,777	9/1932	Smith	400/518.3
1,917,635	7/1933	Degener	400/647
1,974,941	9/1934	Workman	400/508
2,052,583	9/1936	Sherman	400/517
2,345,228	3/1944	Babineau	211/45
2,587,827	3/1952	Fleischmann	400/613.2
4,515,490	5/1985	Marker, III	400/613.2
4,575,037	3/1986	Hammar	248/174

4,586,839	5/1986	Iwagami	400/691
4,619,388	10/1986	Ono et al.	226/76
4,655,626	4/1987	Okazaki	400/605

FOREIGN PATENT DOCUMENTS

213135A 6/1984 United Kingdom .

OTHER PUBLICATIONS

Catalog, Desk Top Printer Stand, Acco International Inc., 770 S. Acco Plaza, Wheeling, IL 60090-6070, Jan. 1985.

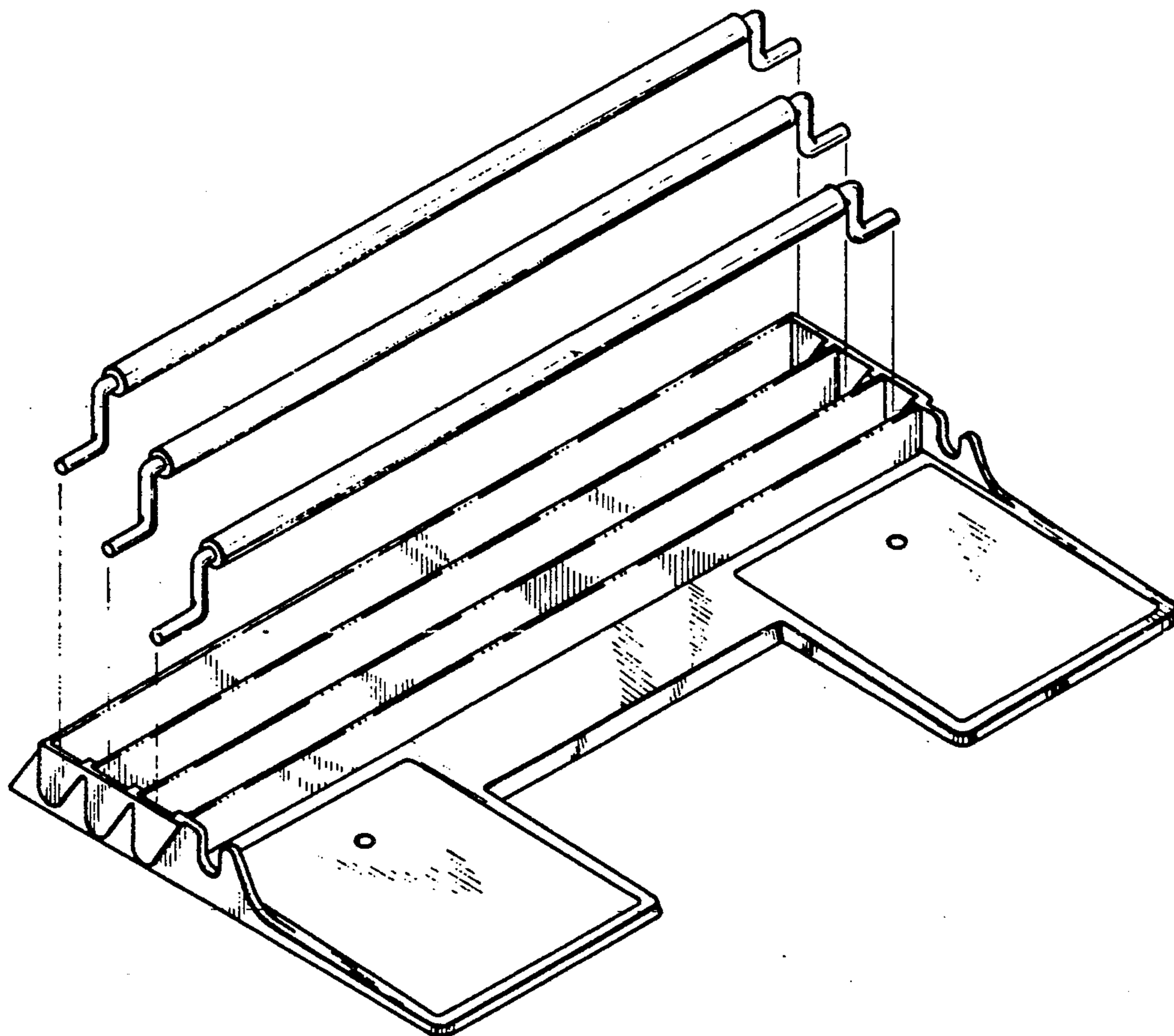
Primary Examiner—James R. Largen
Assistant Examiner—Cathy Anne MacCormac
Attorney, Agent, or Firm—Richard B. O'Planick

[57] CLAIM

The ornamental design for a multi-form feeder for printer, as shown and described.

DESCRIPTION

FIG. 1 is a front perspective view of an assembled multi-form feeder for printer embodying our new design; FIG. 2 is an exploded perspective view thereof; FIG. 3 is a side elevational view thereof. The side opposite to that depicted in FIG. 3 is identical in appearance; FIG. 4 is a front elevational view thereof; FIG. 5 is a rear elevational view thereof; FIG. 6 is a top plan view thereof; FIG. 7 is a bottom plan view thereof.



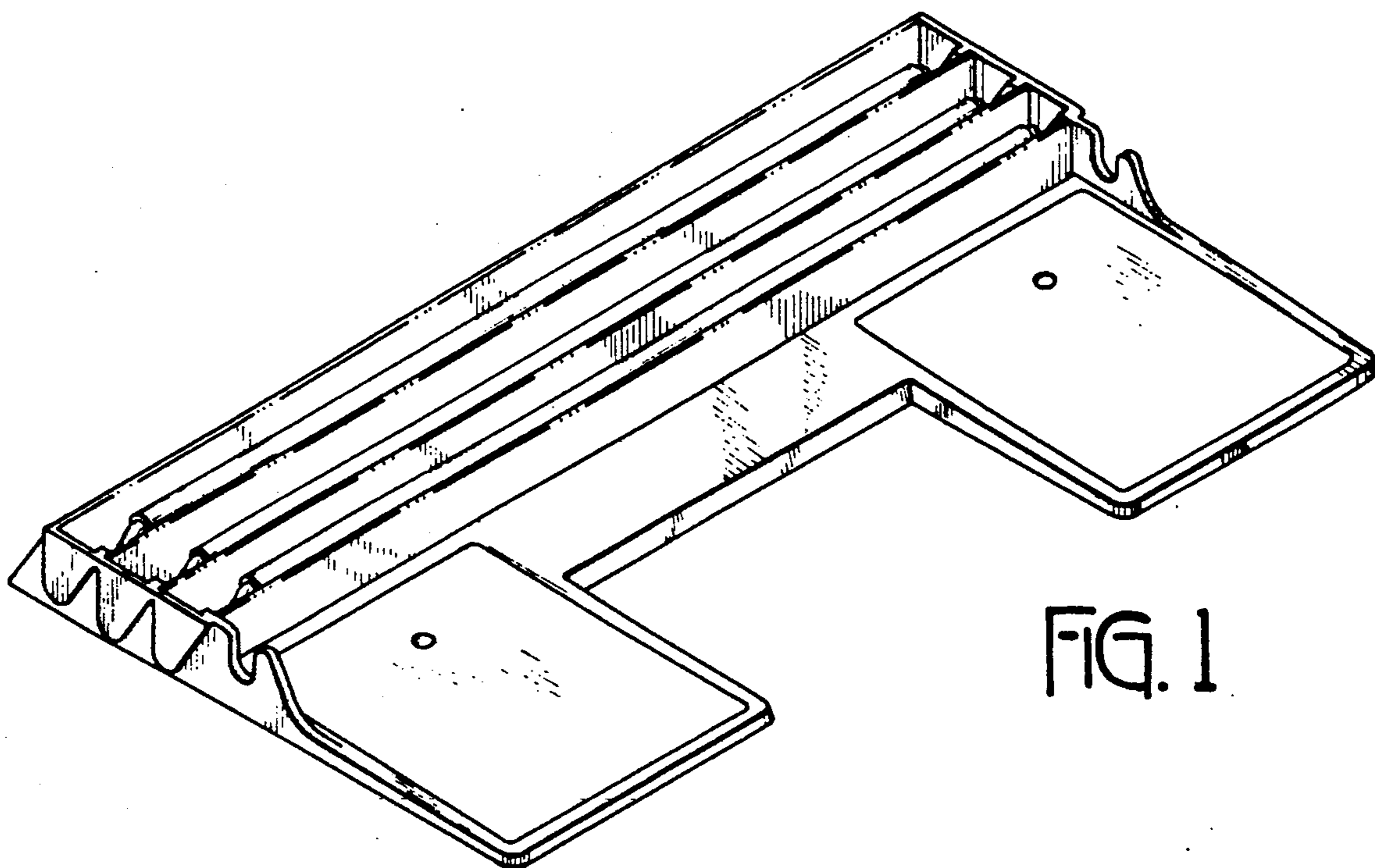


FIG. 1

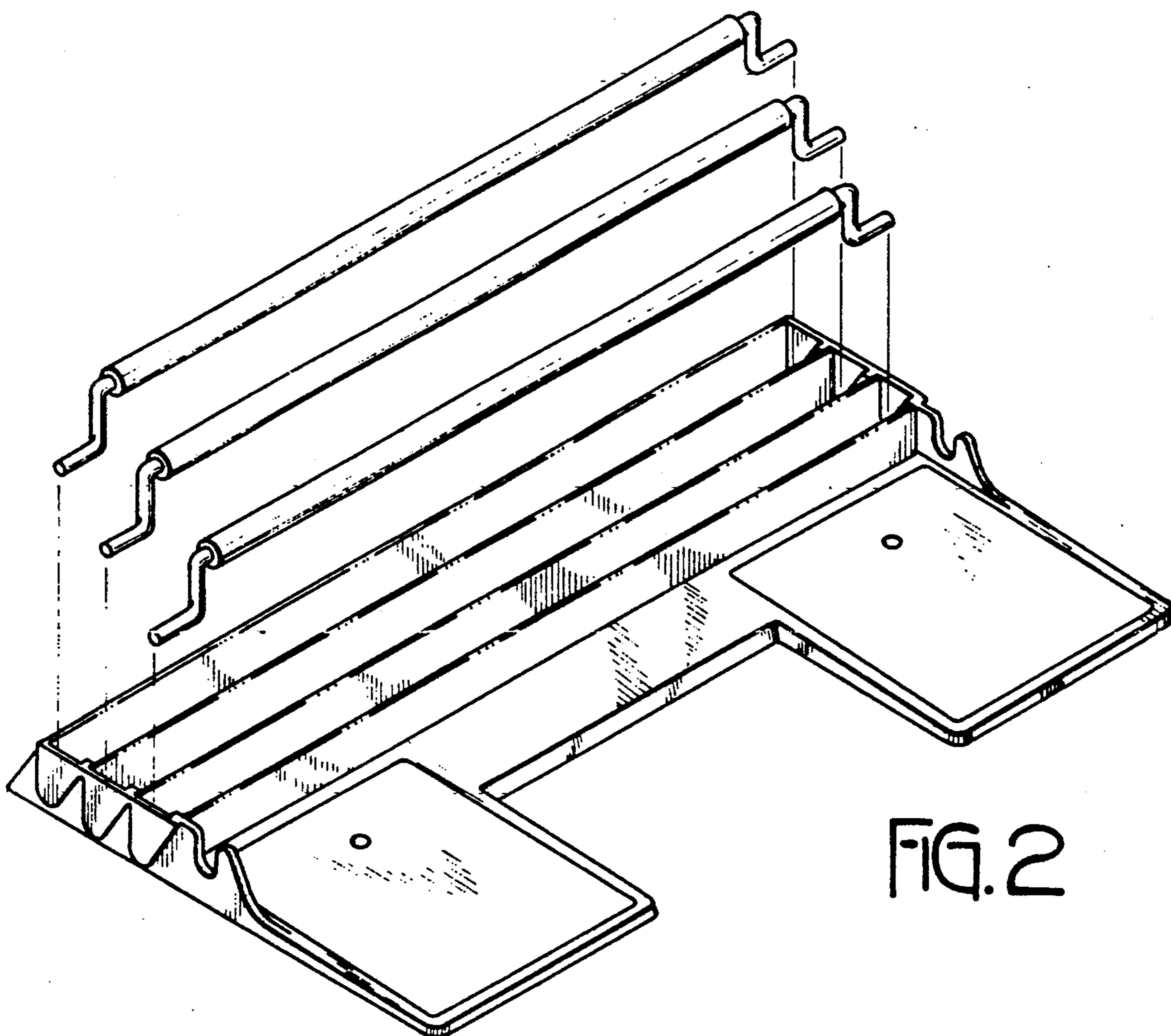


FIG. 2

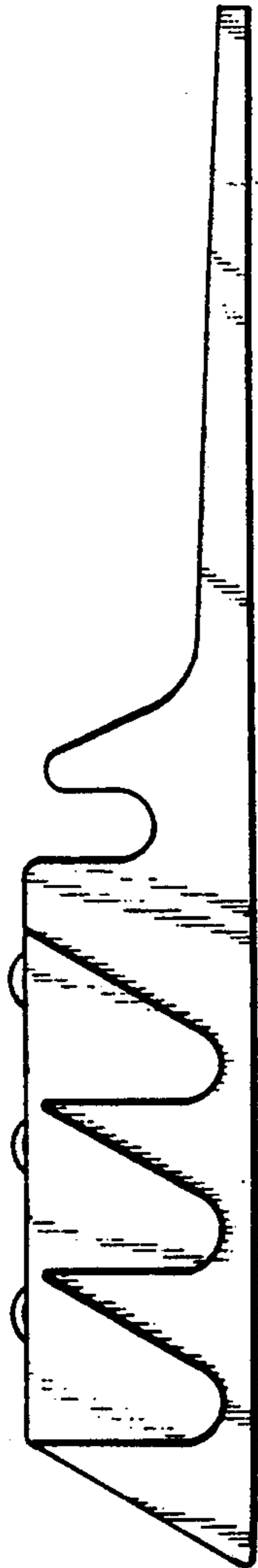


FIG. 3



FIG. 4

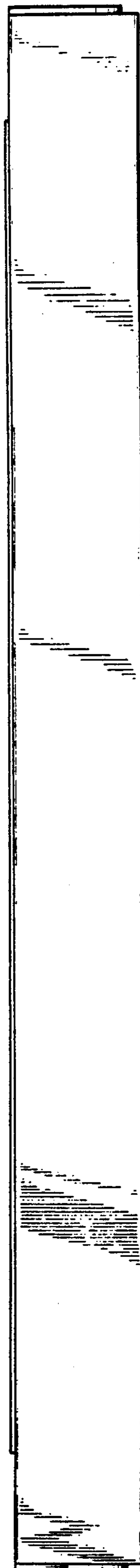


FIG. 5

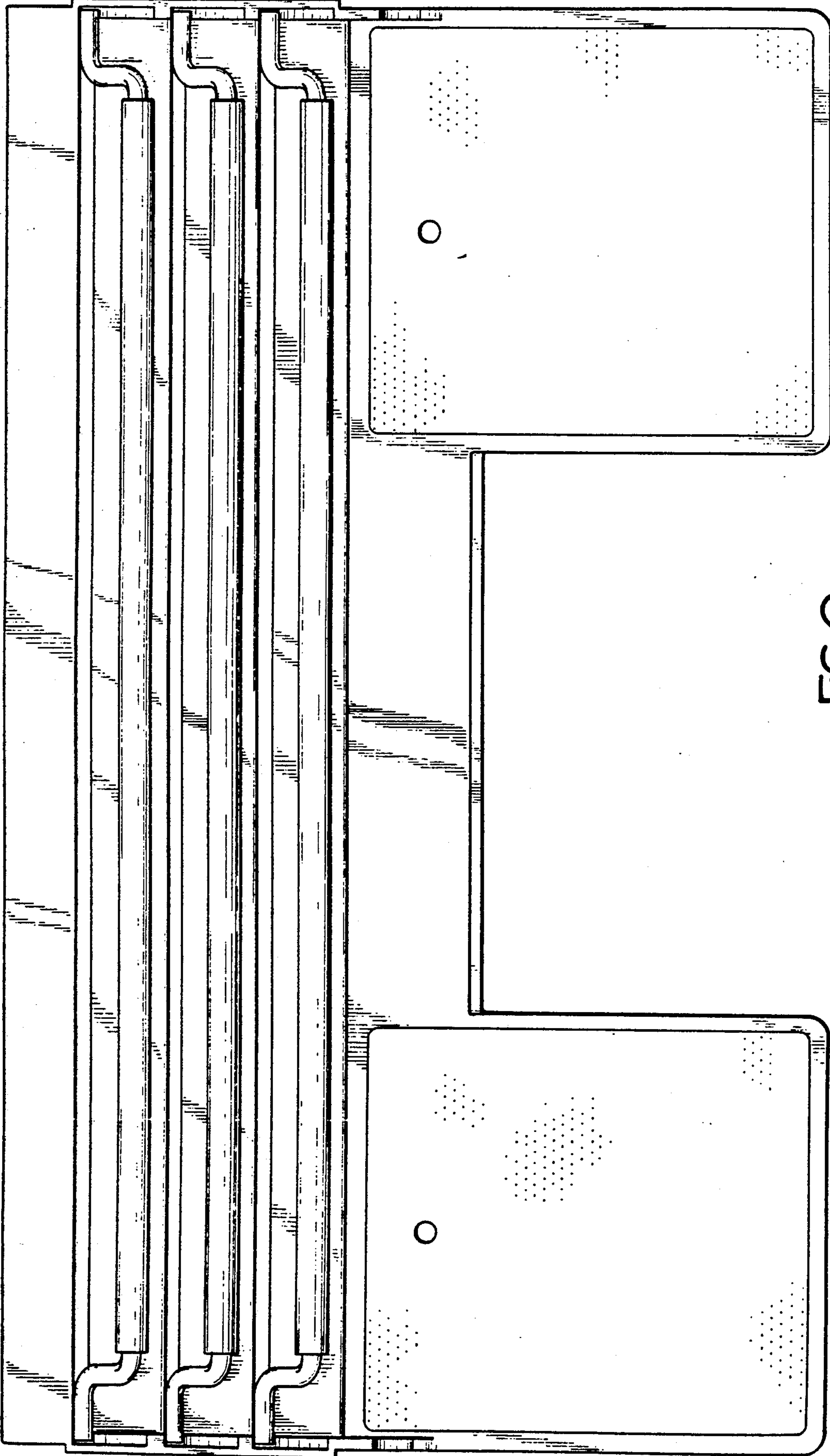


FIG. 6

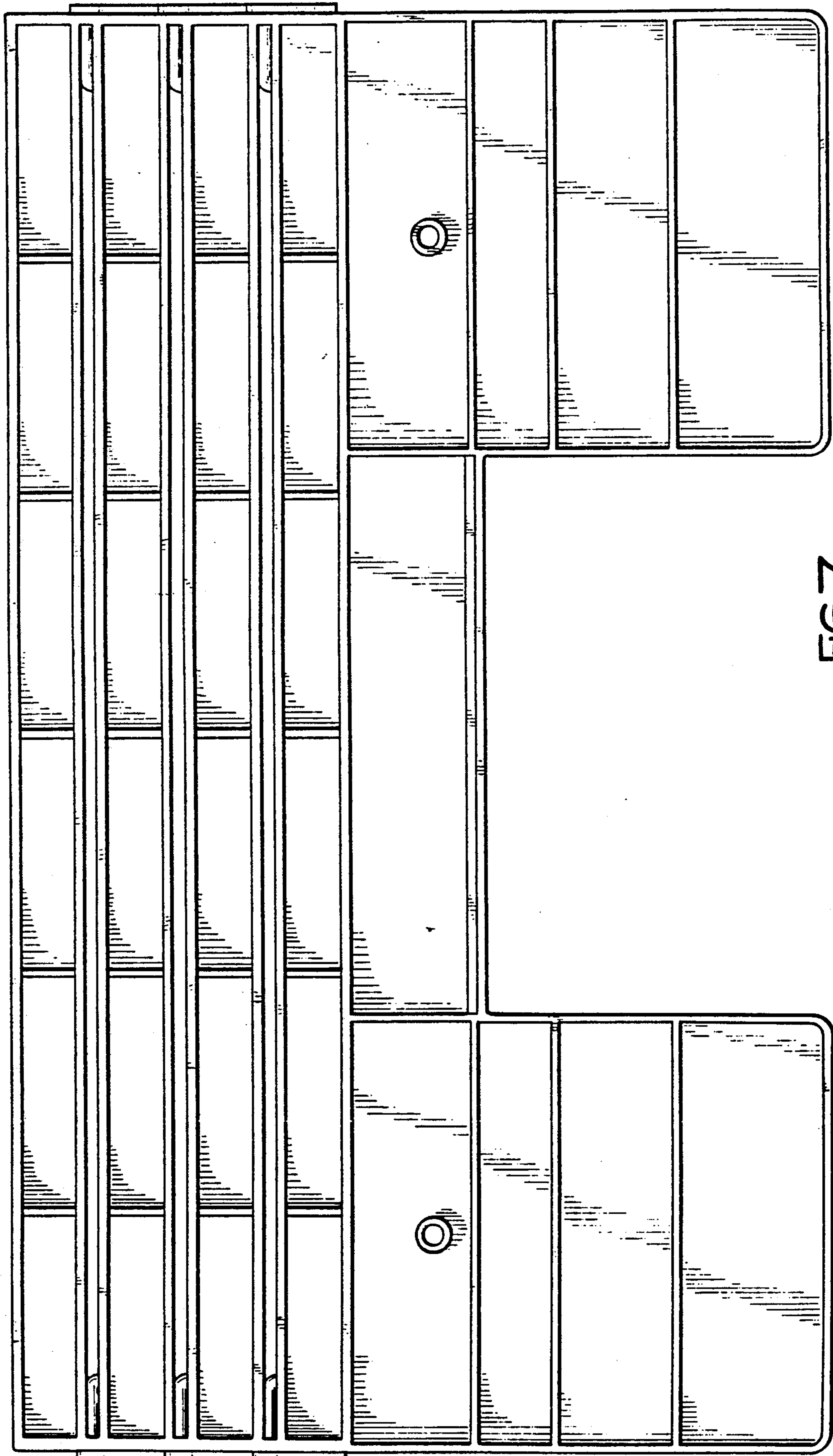


FIG. 7