

[54] MANUALLY OPERATED LABELLING GUN

[76] Inventor: Klaus-Dieter Hermann, Ritterweg
17, D-6932 Hirschhorn, Fed. Rep. of
Germany

[**] Term: 14 Years

[21] Appl. No.: 94,532

[22] Filed: Sep. 9, 1987

[30] Foreign Application Priority Data

Mar. 25, 1987 [DE] Fed. Rep. of Germany 430

[52] U.S. Cl. D18/19

[58] Field of Search D18/14, 19; 101/288;
156/384, DIG. 48, DIG. 49

[56] References Cited

U.S. PATENT DOCUMENTS

D. 250,060 10/1978 Sato D18/19
D. 265,568 7/1982 Kalifa D18/19

D. 269,525 6/1983 Reinke D18/19
D. 269,527 6/1983 Becker D18/19
D. 272,365 1/1984 Becker et al. D18/19
D. 278,832 5/1985 Wada D18/19
4,439,257 3/1984 Sato et al. 101/288
4,618,393 10/1986 Volk 101/288

Primary Examiner—James R. Largen
Assistant Examiner—Cathy Anne MacCormac

[57] CLAIM

The ornamental design for a manually operated labelling gun, as shown and described.

DESCRIPTION

FIG. 1 is a perspective view of the labelling gun showing my new design;
FIG. 2 is a right side elevational view thereof;
FIG. 3 is a left side elevational view thereof;
FIG. 4 is a front elevational view thereof;
FIG. 5 is a rear elevational view thereof;
FIG. 6 is a top plan view thereof; and
FIG. 7 is a bottom plan view thereof.

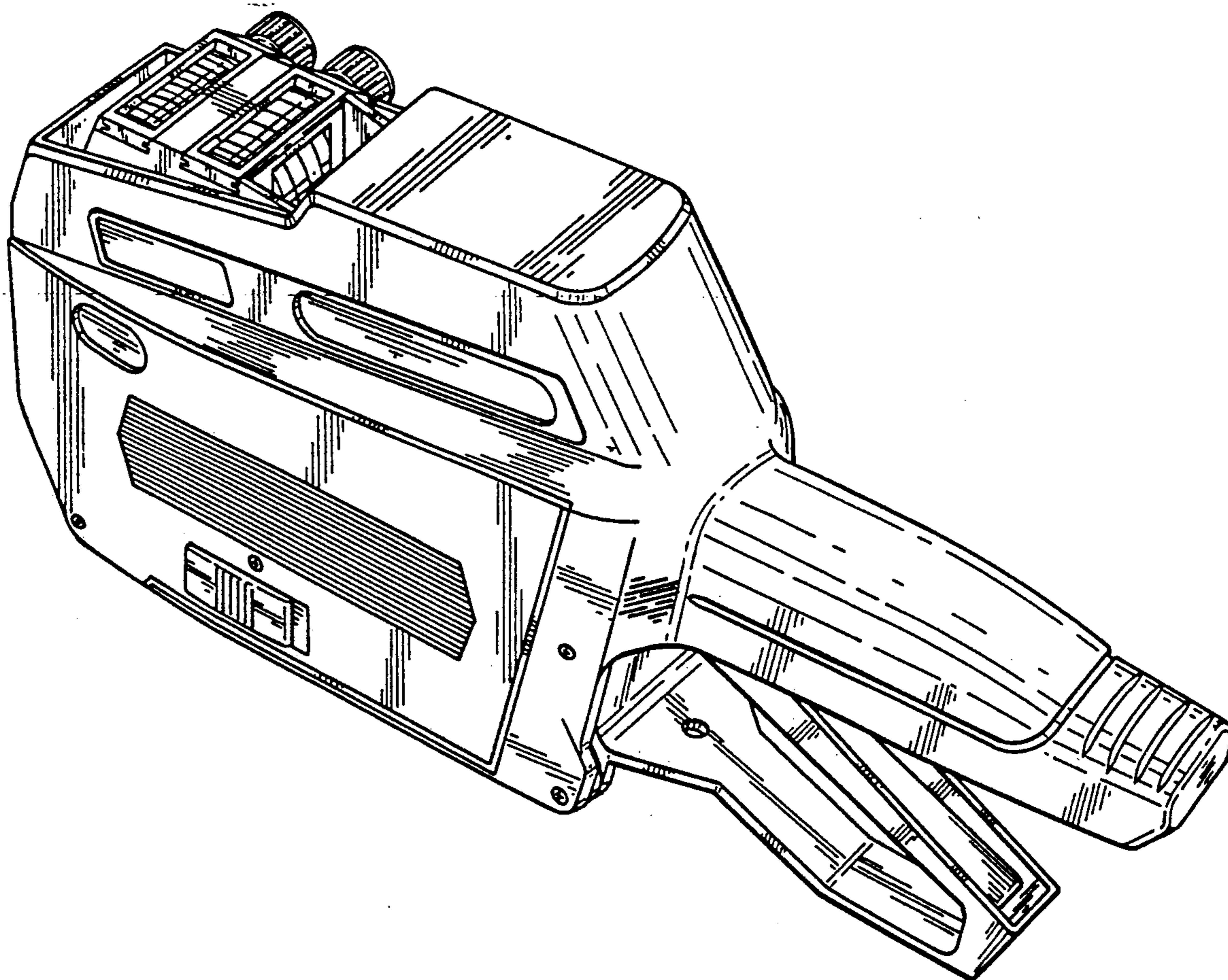
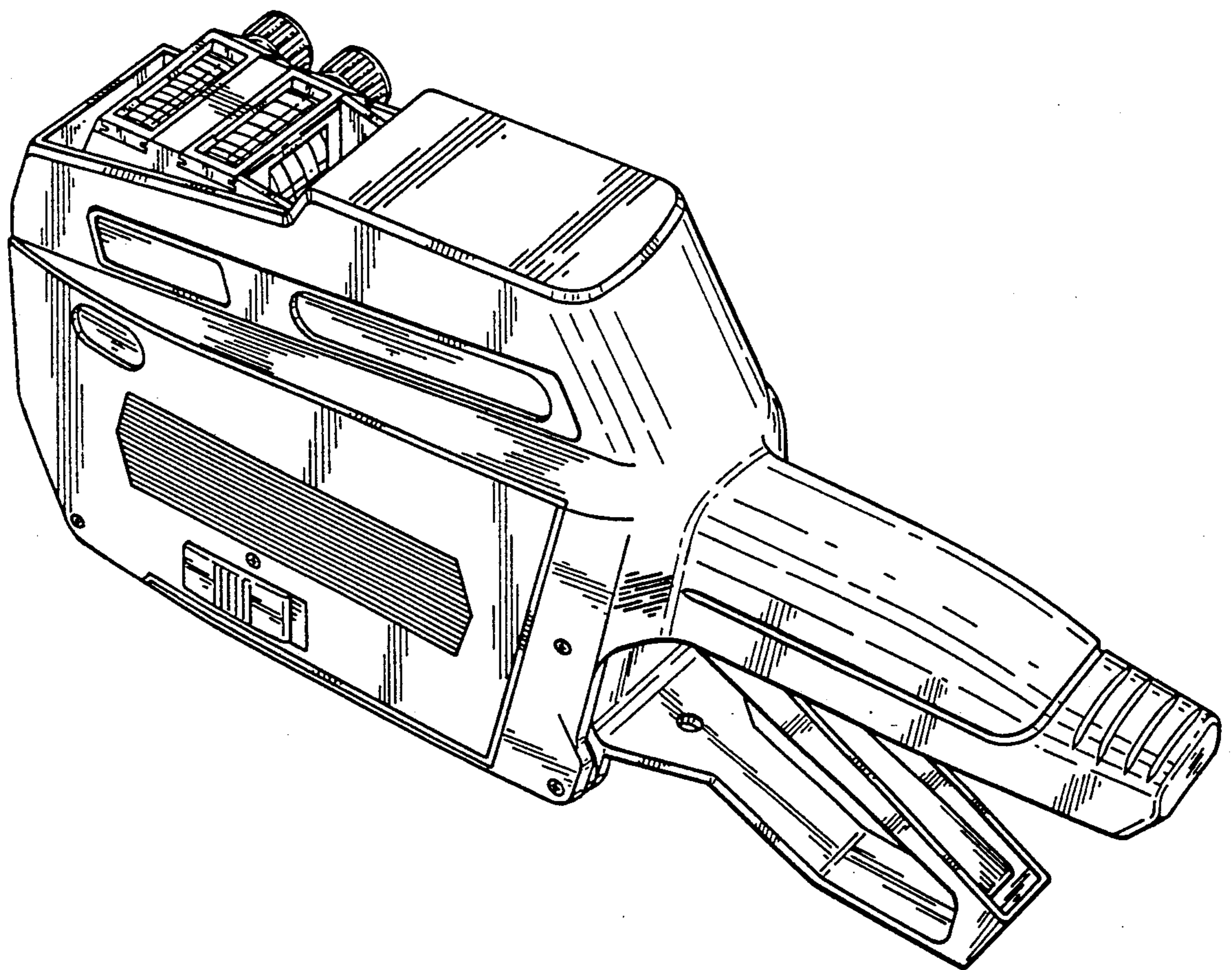


FIG. 1



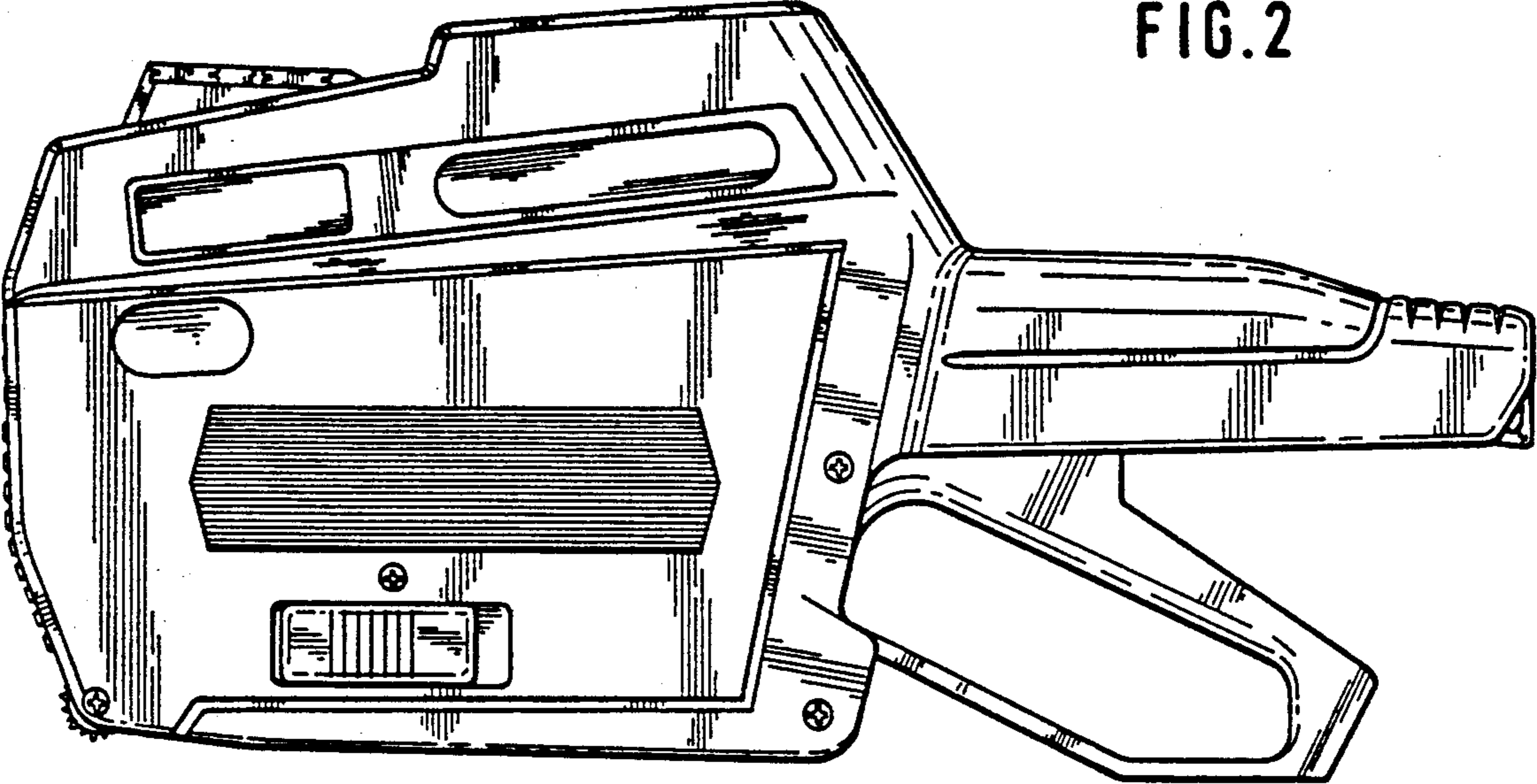


FIG. 2

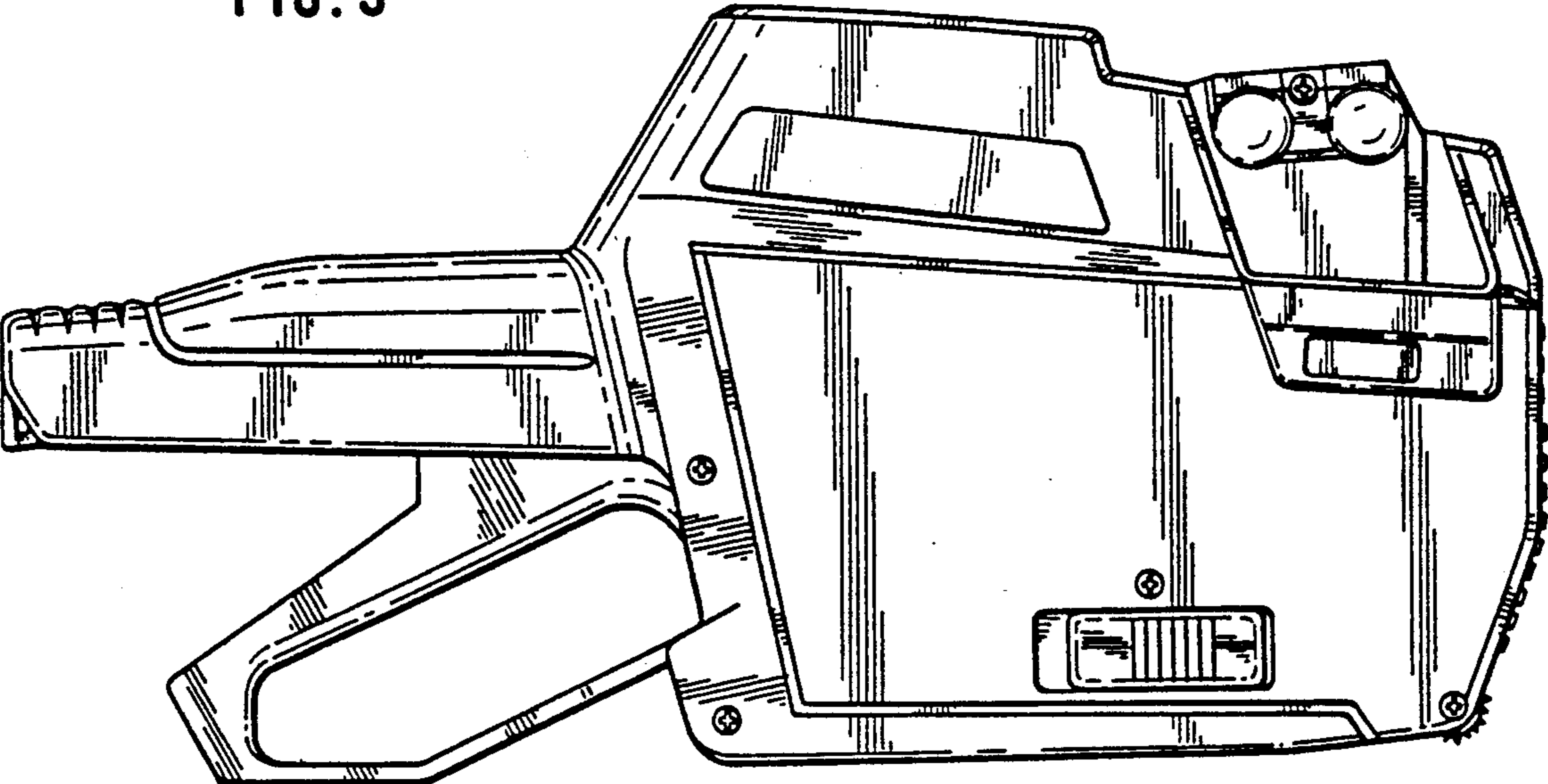


FIG. 3

FIG. 4

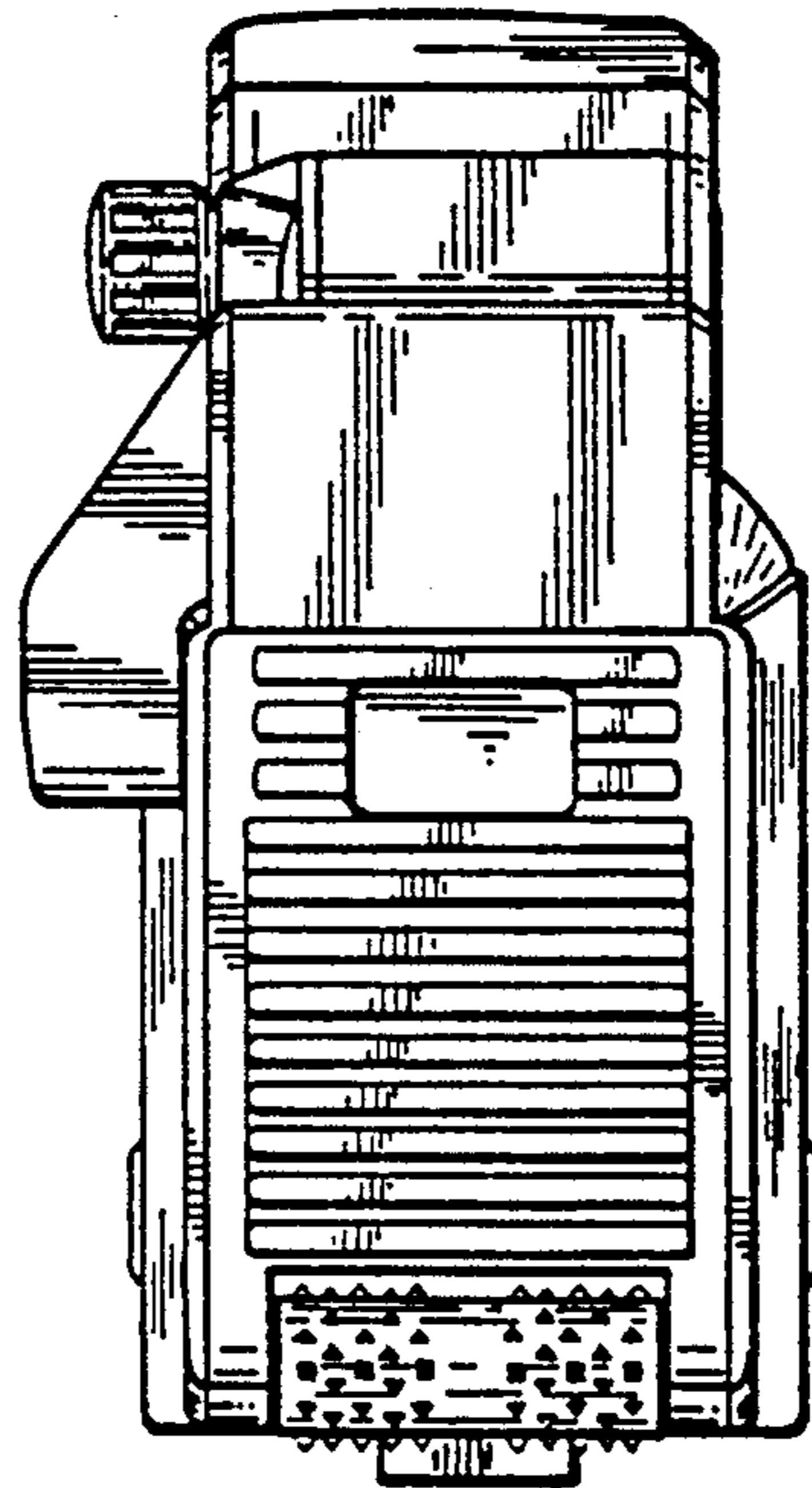


FIG. 5

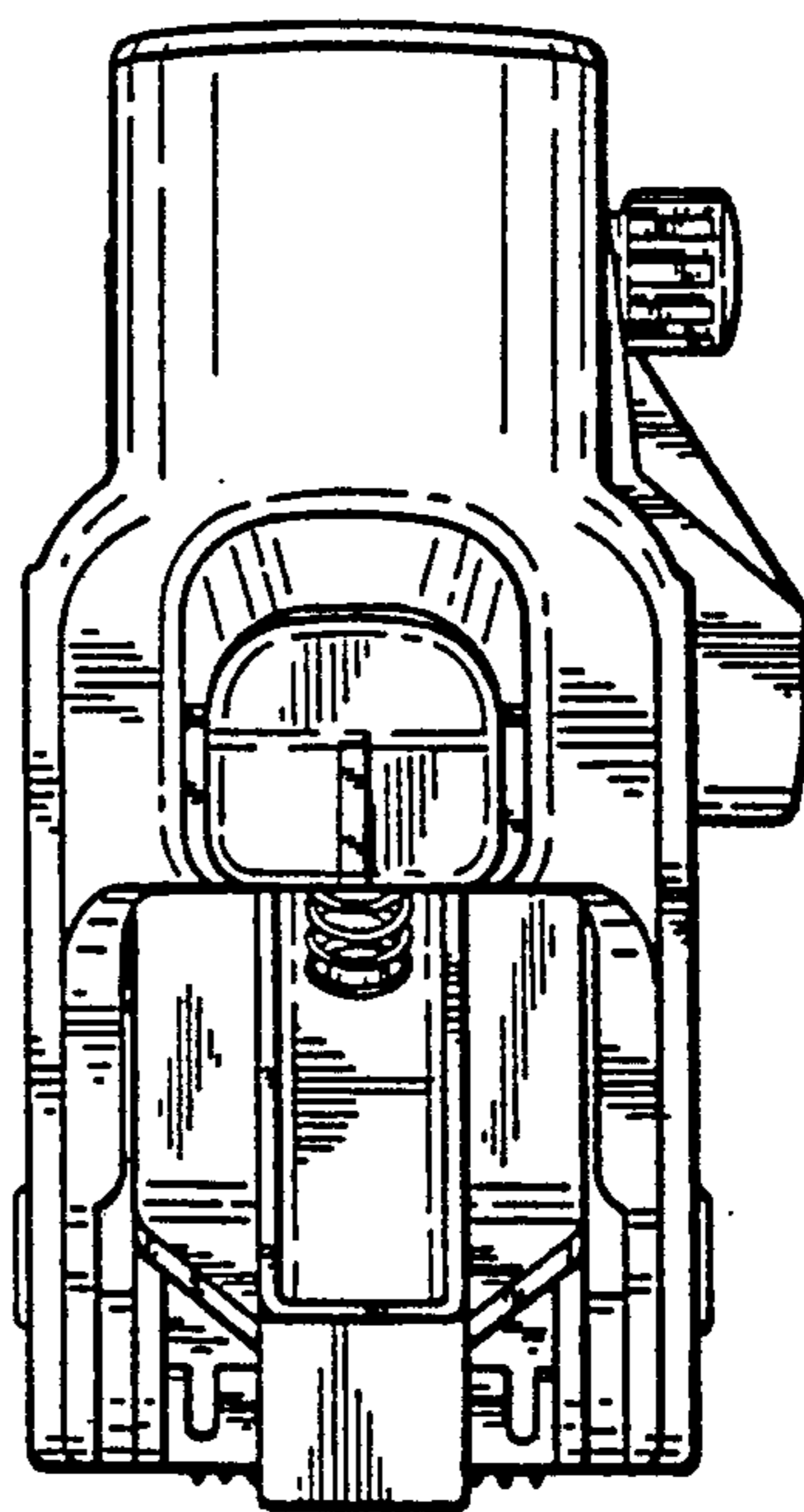


FIG. 6

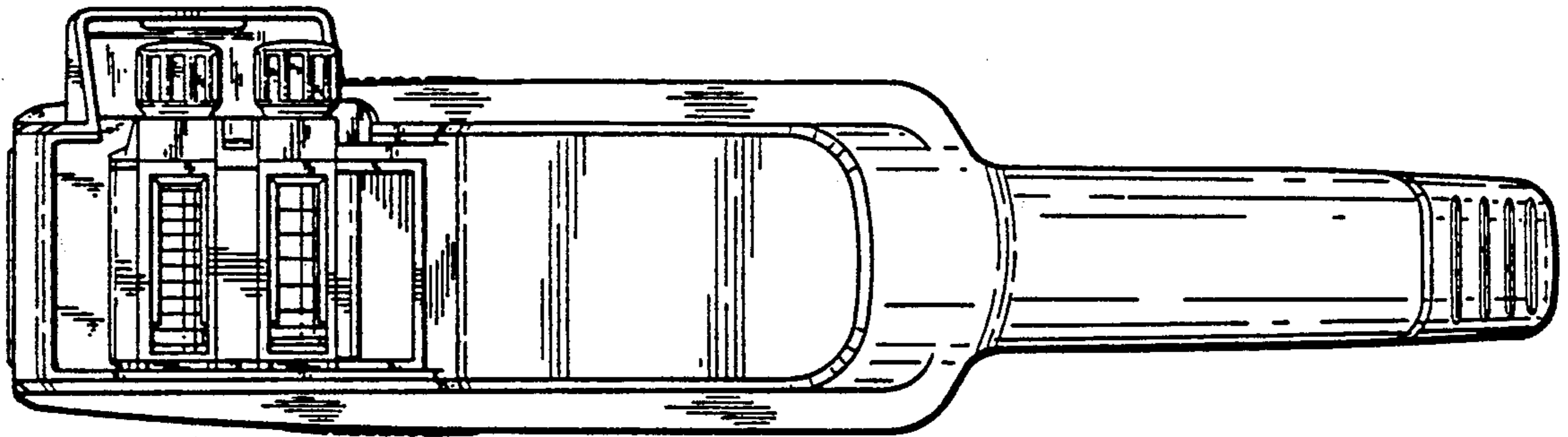


FIG. 7

