

[54] YARN FEEDER

[76] Inventor: Jen F. Chen, P.O. Box 1-79, Taipei, Taiwan, 10602

[**] Term: 14 Years

[21] Appl. No.: 193,640

[22] Filed: May 13, 1988

[52] U.S. Cl. D15/72; D15/78

[58] Field of Search D15/66, 69, 72, 78; 66/132 R, 132 T; 242/47.01-47.03, 47.12

[56] References Cited

U.S. PATENT DOCUMENTS

D. 187,566	3/1960	Lakin	D15/72
4,138,866	2/1979	Fecker et al.	66/132 R
4,598,560	7/1986	Sawazaki	66/132 T
4,793,565	12/1988	Fecker	242/47.01

FOREIGN PATENT DOCUMENTS

2710821 9/1978 Fed. Rep. of Germany ... 242/47.01

Primary Examiner—B. J. Bullock
Assistant Examiner—Sandra Morris
Attorney, Agent, or Firm—Lalos & Keegan

[57] CLAIM

The ornamental design for a yarn feeder, as shown and described.

DESCRIPTION

FIG. 1 is a perspective view of a yarn feeder, showing my new design;
FIG. 2 is a top plan view thereof;
FIG. 3 is a side elevational view thereof, the opposite side being identical;
FIG. 4 is a bottom plan view thereof.

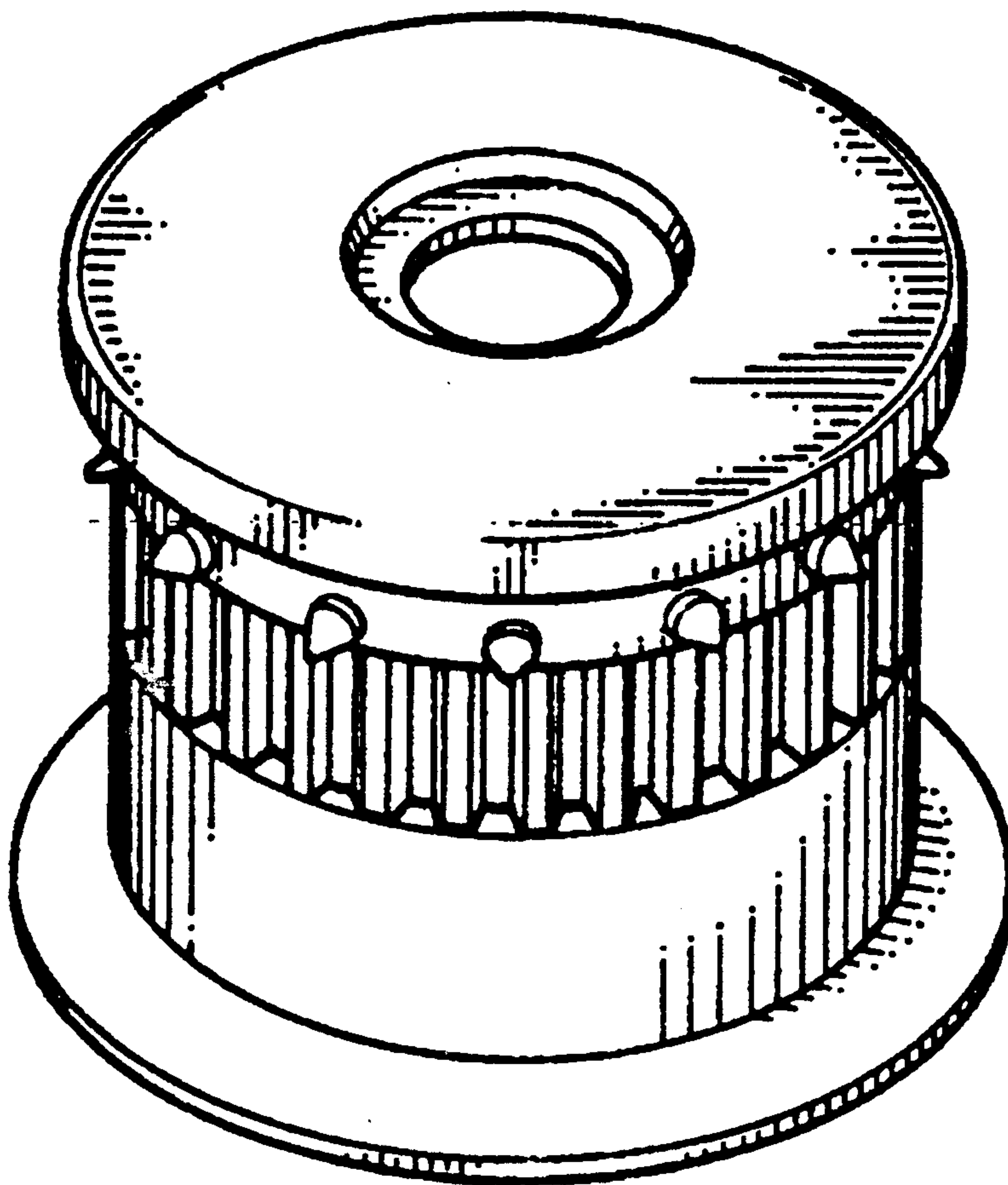


FIG. 1

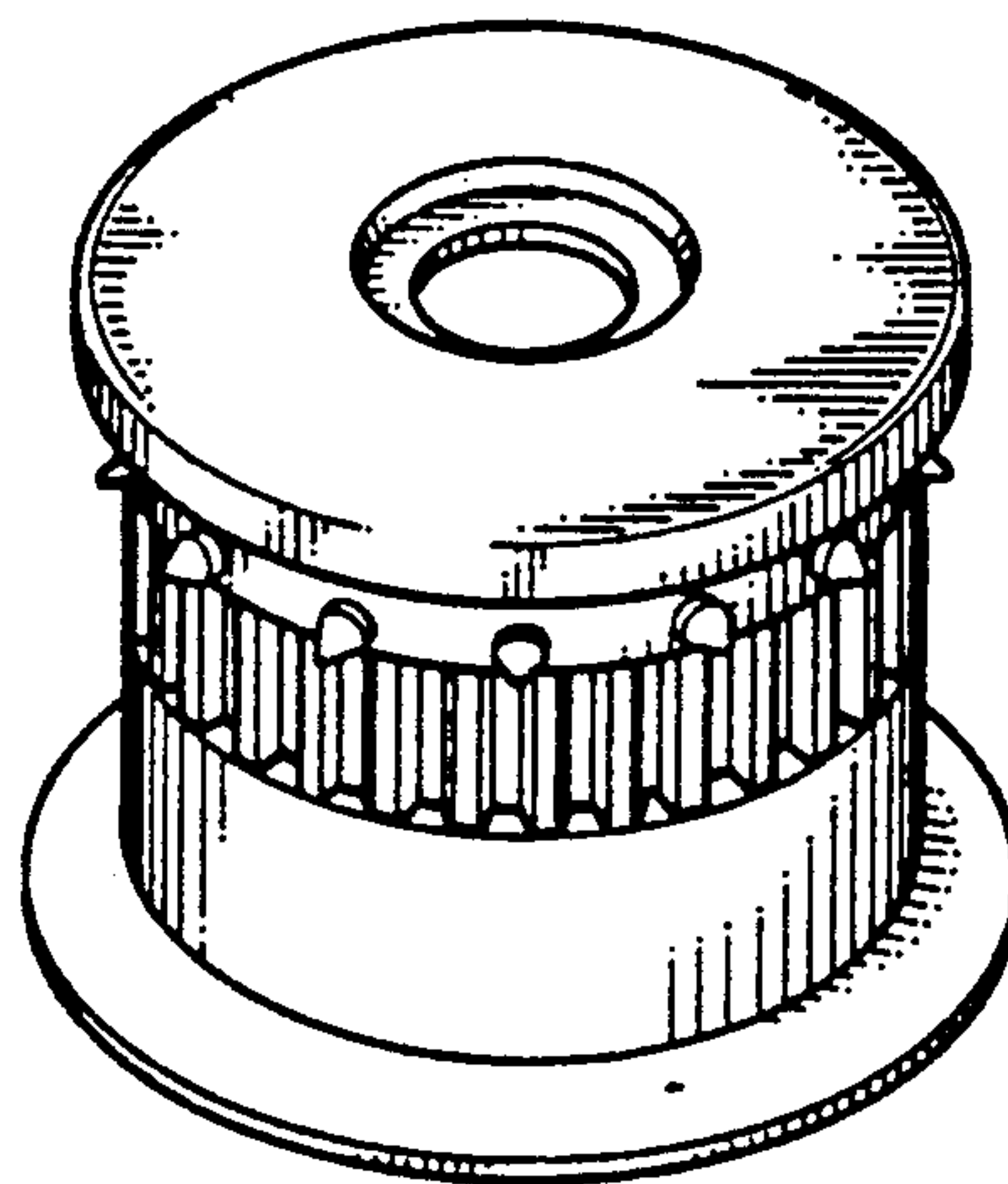


FIG. 2

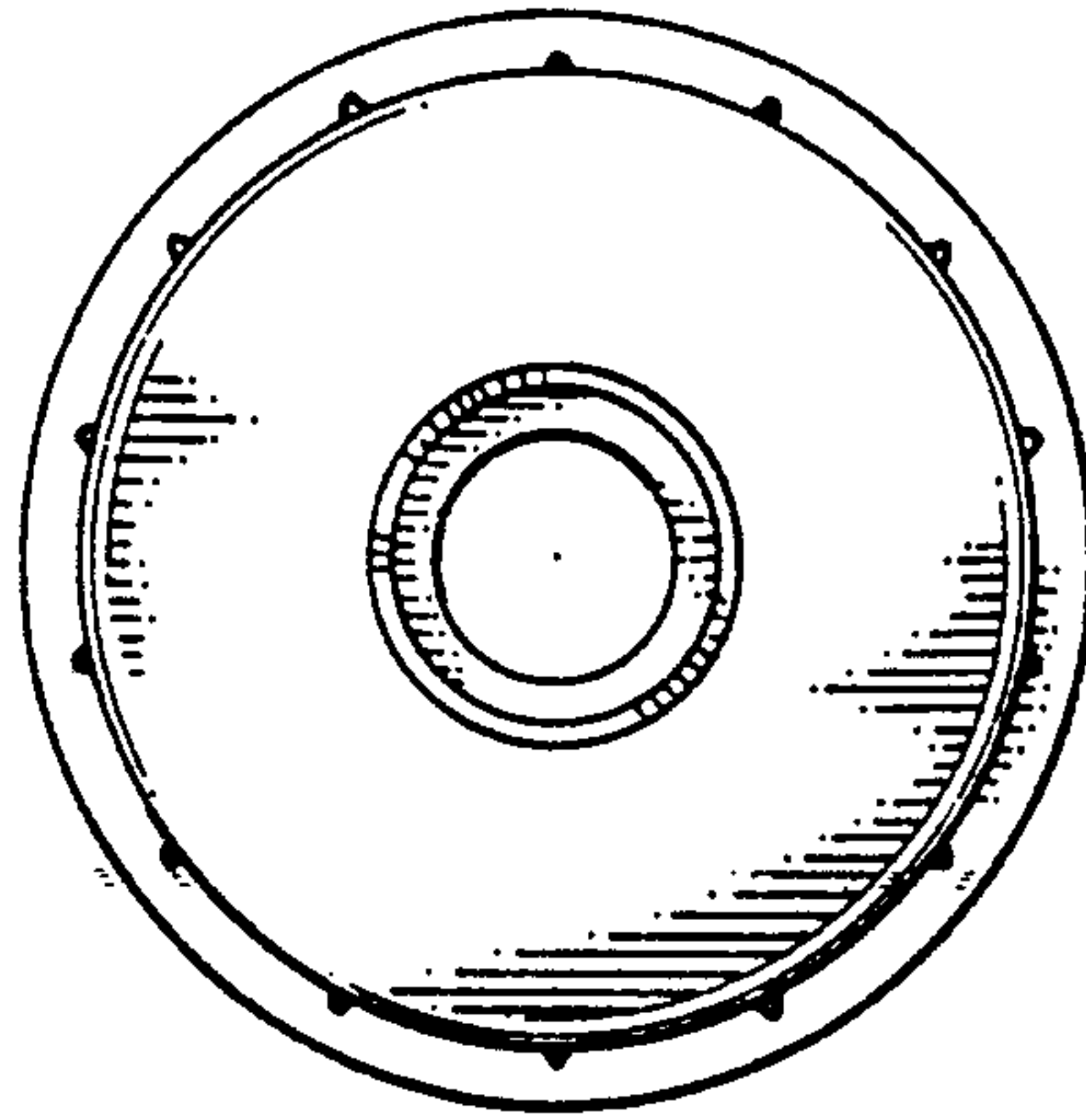


FIG. 3

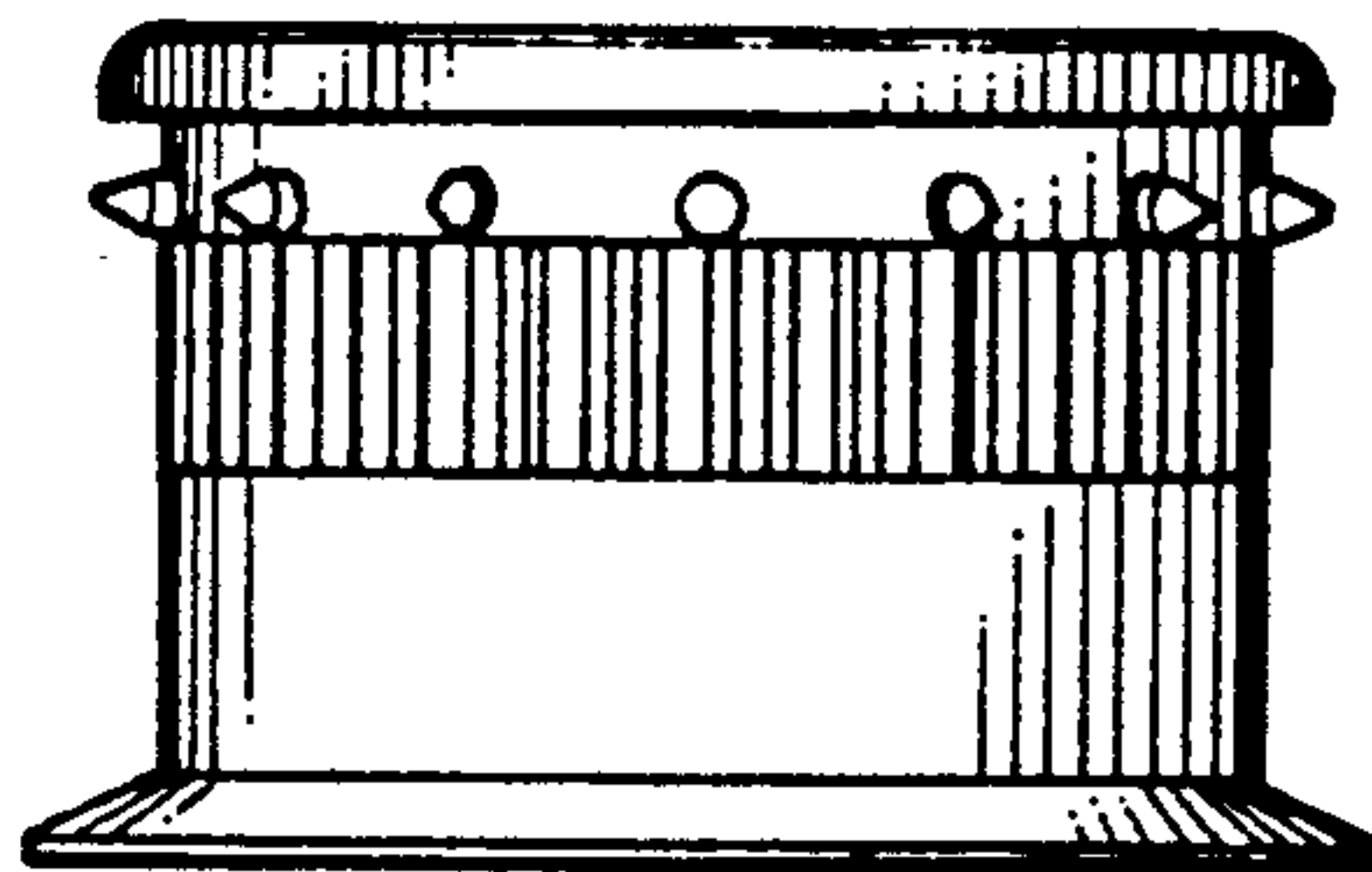


FIG. 4

