

[54] **KNIFE HOLDER FOR TURF AERATION MACHINE**

[75] **Inventor: David J. Livingstone, Sylvania Waters, Australia**

[73] **Assignee: Greencare PTY. Limited, Taren Point, Australia**

[**] **Term: 14 Years**

[21] **Appl. No.: 60,435**

[22] **Filed: Jun. 11, 1987**

[30] **Foreign Application Priority Data**

Dec. 17, 1986 [AU] Australia 7962/86

[52] **U.S. Cl. D15/28**

[58] **Field of Search D15/28, 29, 32; 172/21, 172/22, 713**

[56] **References Cited**

U.S. PATENT DOCUMENTS

D. 299,237 1/1989 Livingstone D15/28

4,574,890 3/1986 Hansen et al. 172/22
4,602,687 7/1986 Hansen 172/22
4,658,909 4/1987 McDermott .
4,723,607 2/1988 Hansen 172/22

Primary Examiner—B. J. Bullock
Assistant Examiner—Sandra Morris
Attorney, Agent, or Firm—Fleit, Jacobson, Cohn, Price, Holman & Stern

[57] **CLAIM**

The ornamental design for the knife holder for turf aeration machine, as shown and described.

DESCRIPTION

FIG. 1 is a perspective view of a knife holder for turf aeration machine, showing my new design;
FIG. 2 is a top plan view thereof;
FIG. 3 is a bottom plan view thereof;
FIG. 4 is a front elevational view thereof;
FIG. 5 is a rear elevational view thereof;
FIG. 6 is a left side elevational view thereof, the right side being a mirror image.

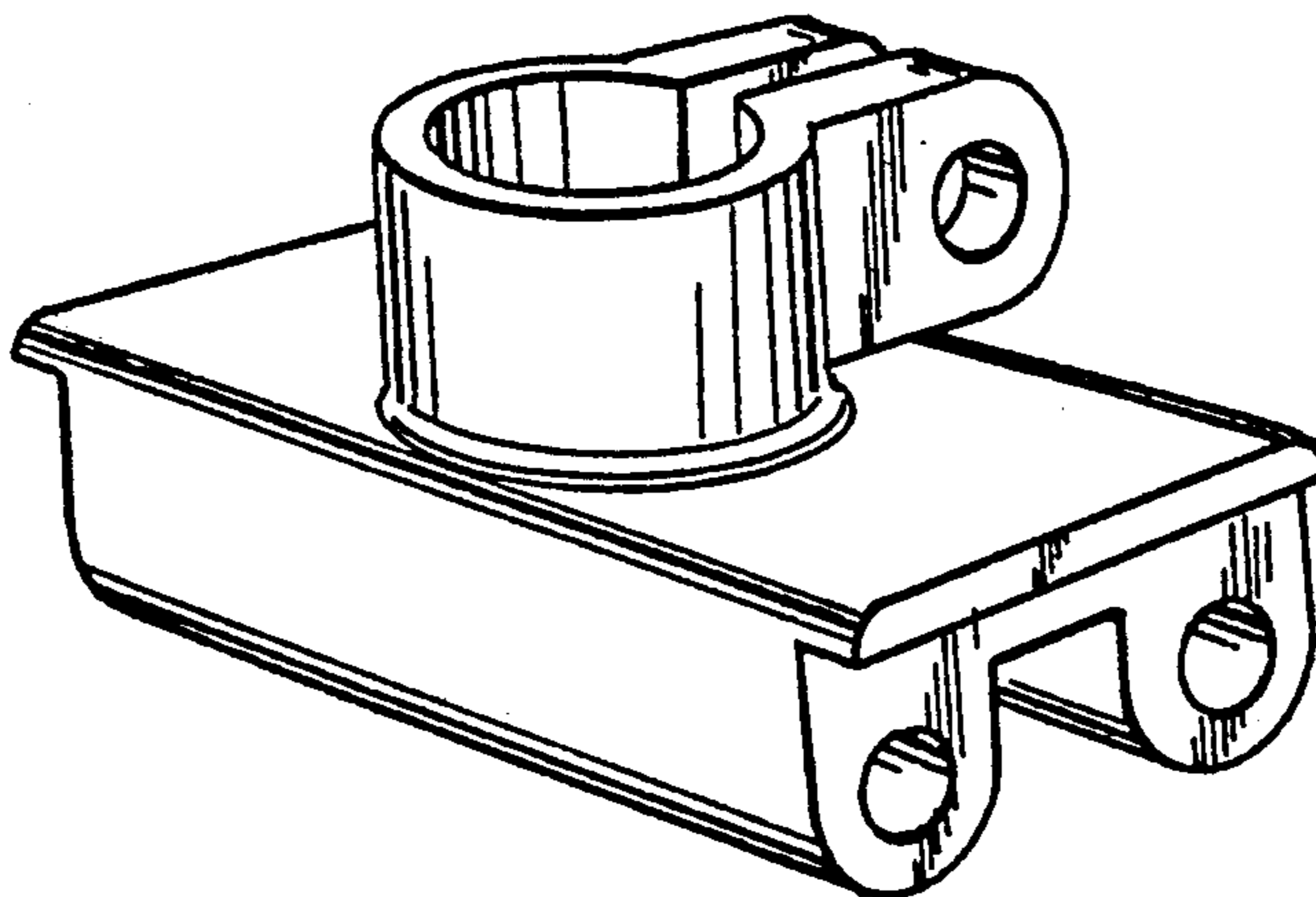


FIG. 1

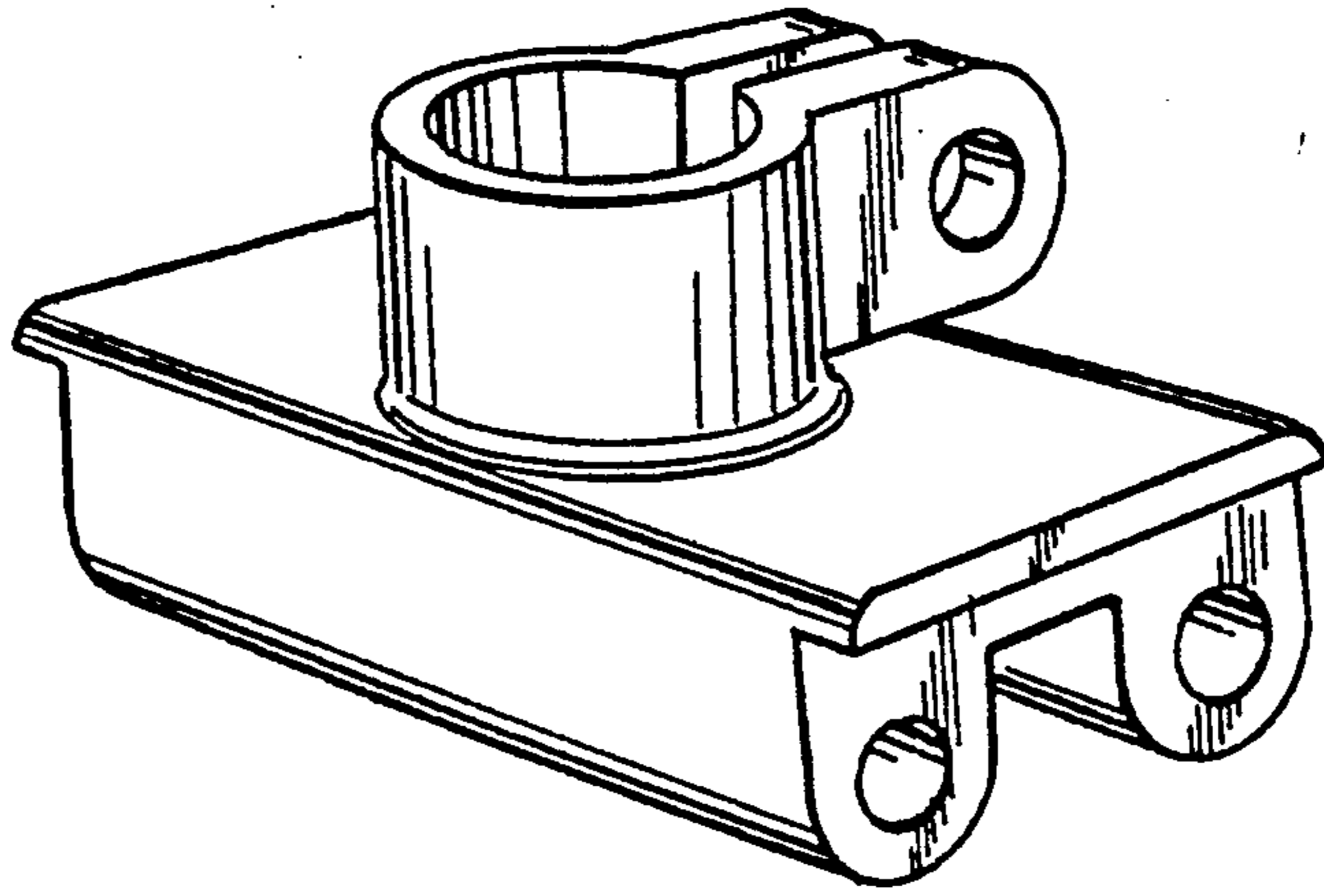


FIG. 2

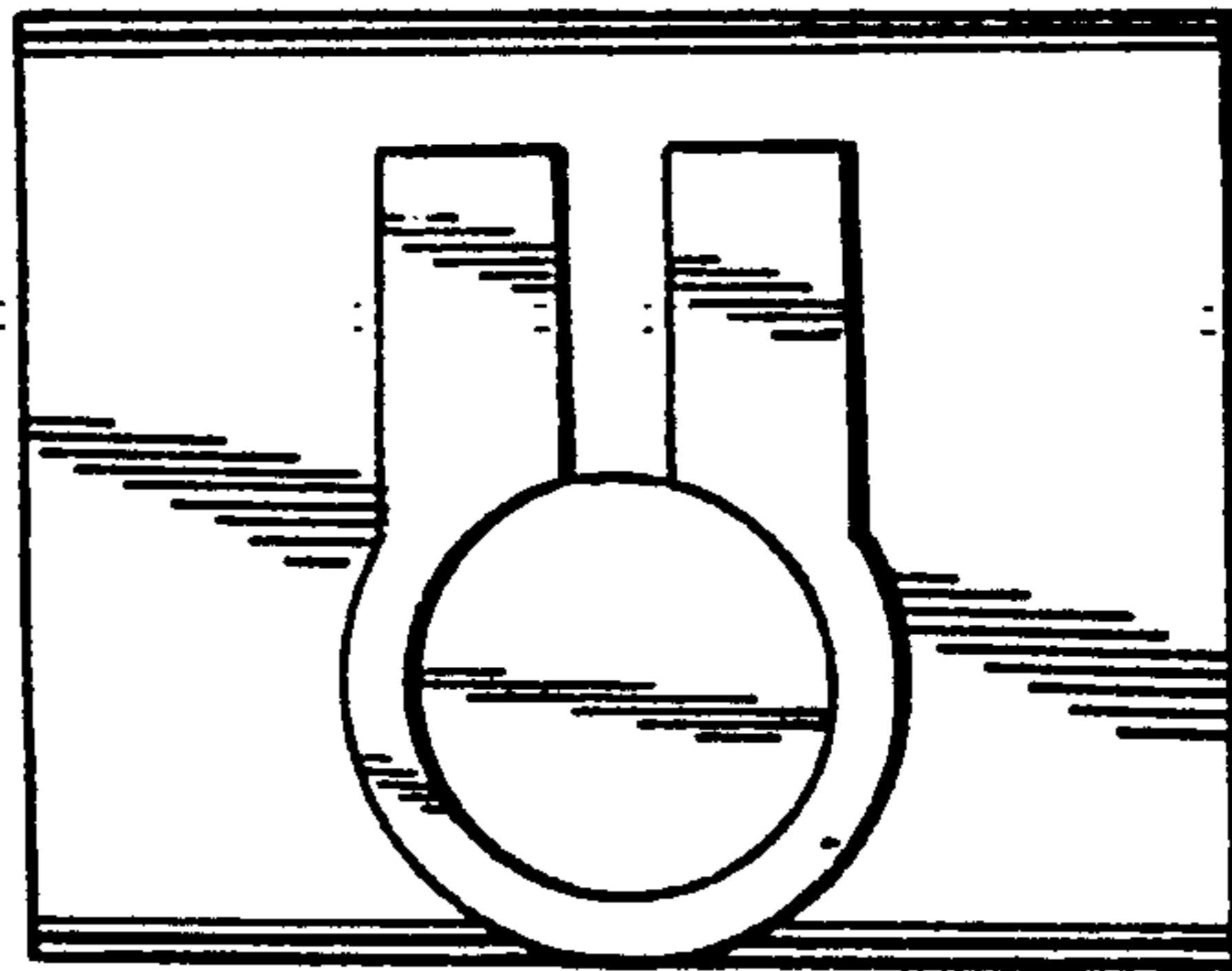


FIG. 3

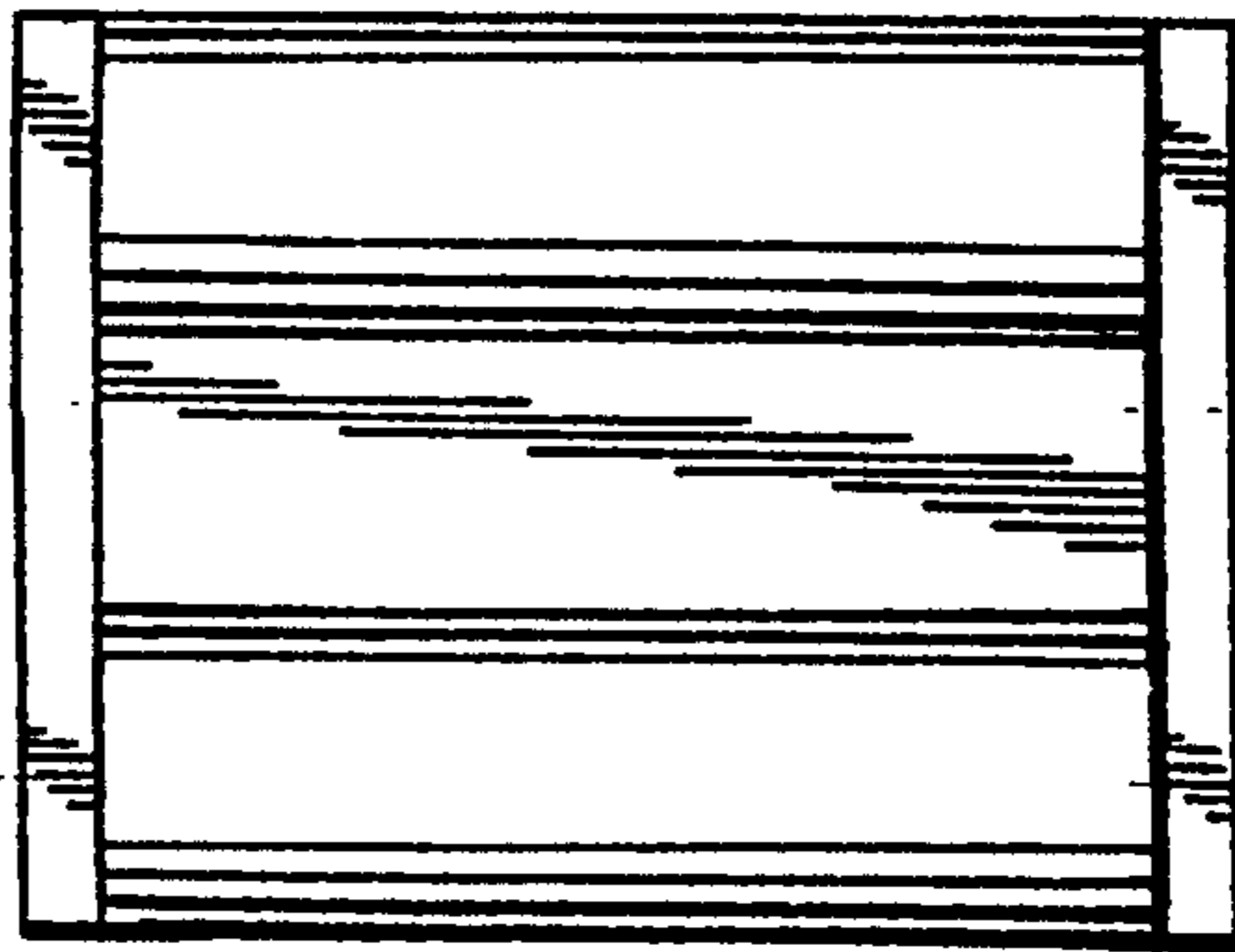


FIG. 4

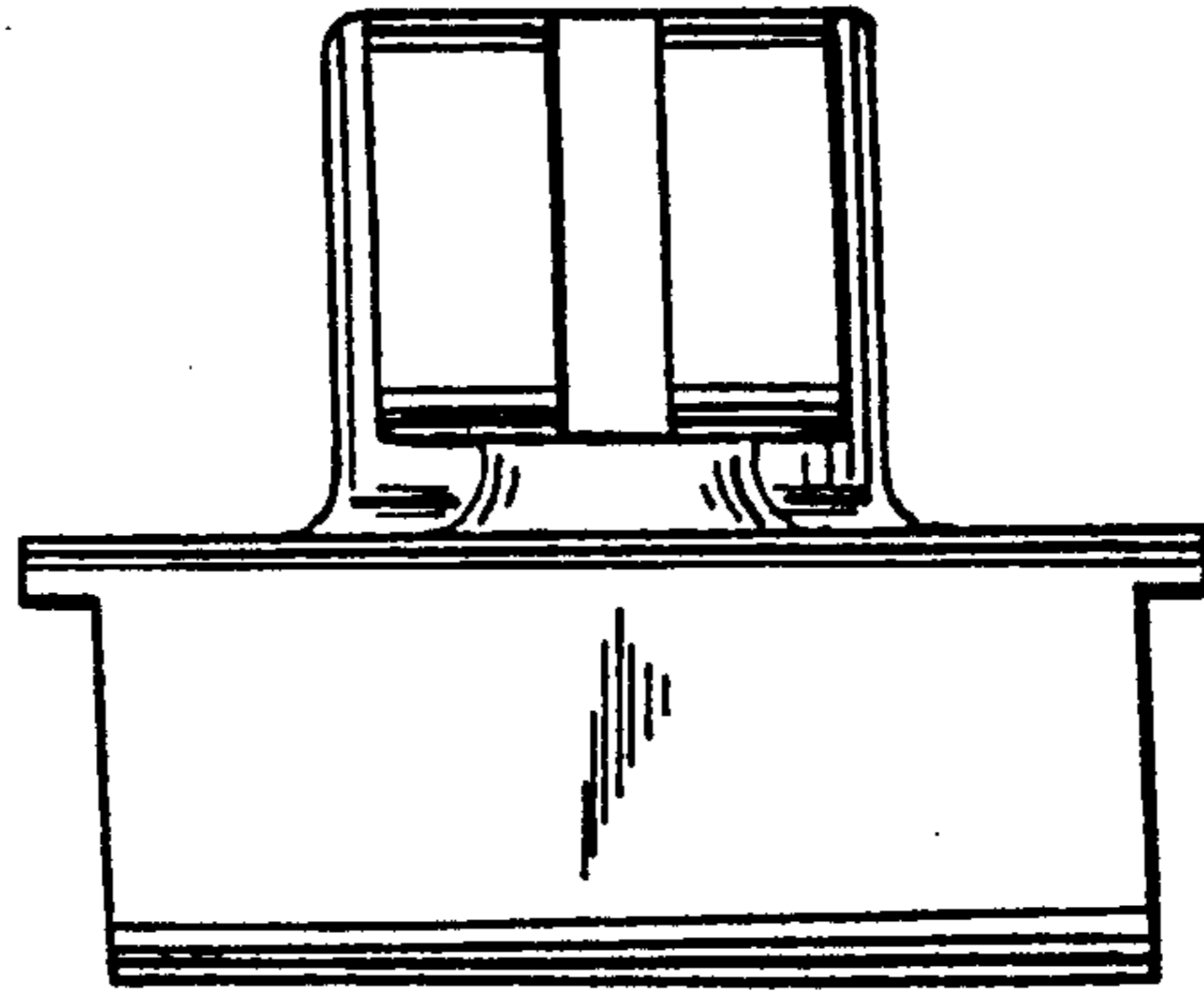


FIG. 5

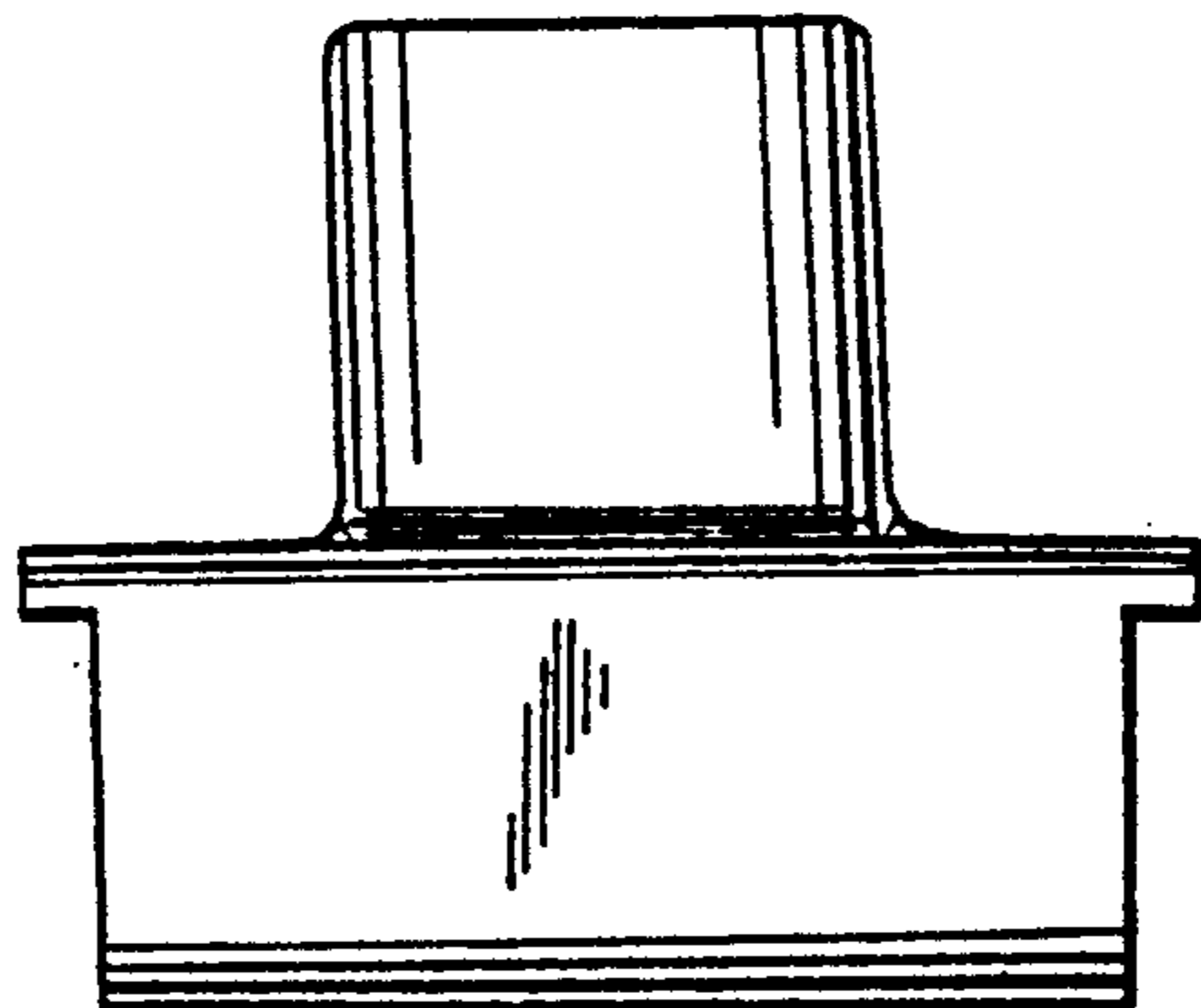


FIG. 6

