

[54] VACUUM PUMP

[56] References Cited

[75] Inventors: Mitsuhiro Nishida; Kozaburo Fujii, both of Fukuoka; Nobuyuki Kondoh; Yoshinori Abe, both of Kamakura, all of Japan

U.S. PATENT DOCUMENTS.

D. 124,842 1/1941 Price D15/5
D. 162,502 3/1951 Zimmer, Jr. D15/7
D. 294,361 2/1988 Williams D15/9
3,213,797 10/1965 McMahan 417/424.1

[73] Assignee: Mitsubishi Denki K.K., Tokyo, Japan

Primary Examiner—Louis S. Zarfes
Assistant Examiner—R. T. Seifert
Attorney, Agent, or Firm—Sughrue, Mion, Zinn
Macpeak & Seas

[**] Term: 14 Years

[57] CLAIM

[21] Appl. No.: 338,061

The ornamental design for a vacuum pump, as shown and described.

[22] Filed: Mar. 14, 1989

DESCRIPTION

[30] Foreign Application Priority Data

Sep. 21, 1988 [JP] Japan 63-37135
[52] U.S. Cl. D15/7
[58] Field of Search D15/5, 7-9.3;
417/398-404, 234, 424.1-424.2

FIG. 1 is a front elevational view of a vacuum pump showing our design;
FIG. 2 is a rear elevational view thereof;
FIG. 3 is a top plan view thereof;
FIG. 4 is a bottom plan view thereof;
FIG. 5 is a left side elevational view thereof; and
FIG. 6 is a right side elevational view thereof.

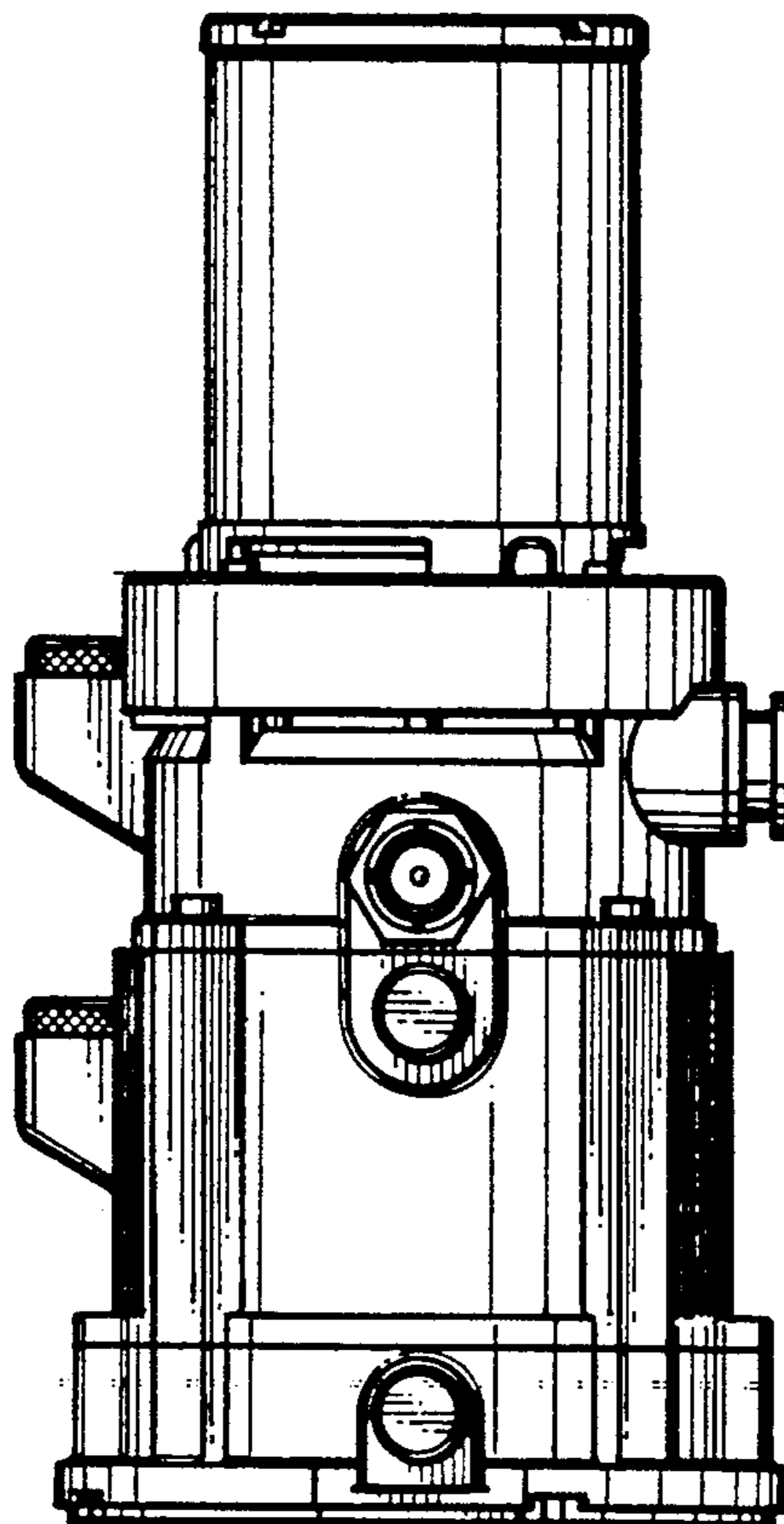


Fig. 1

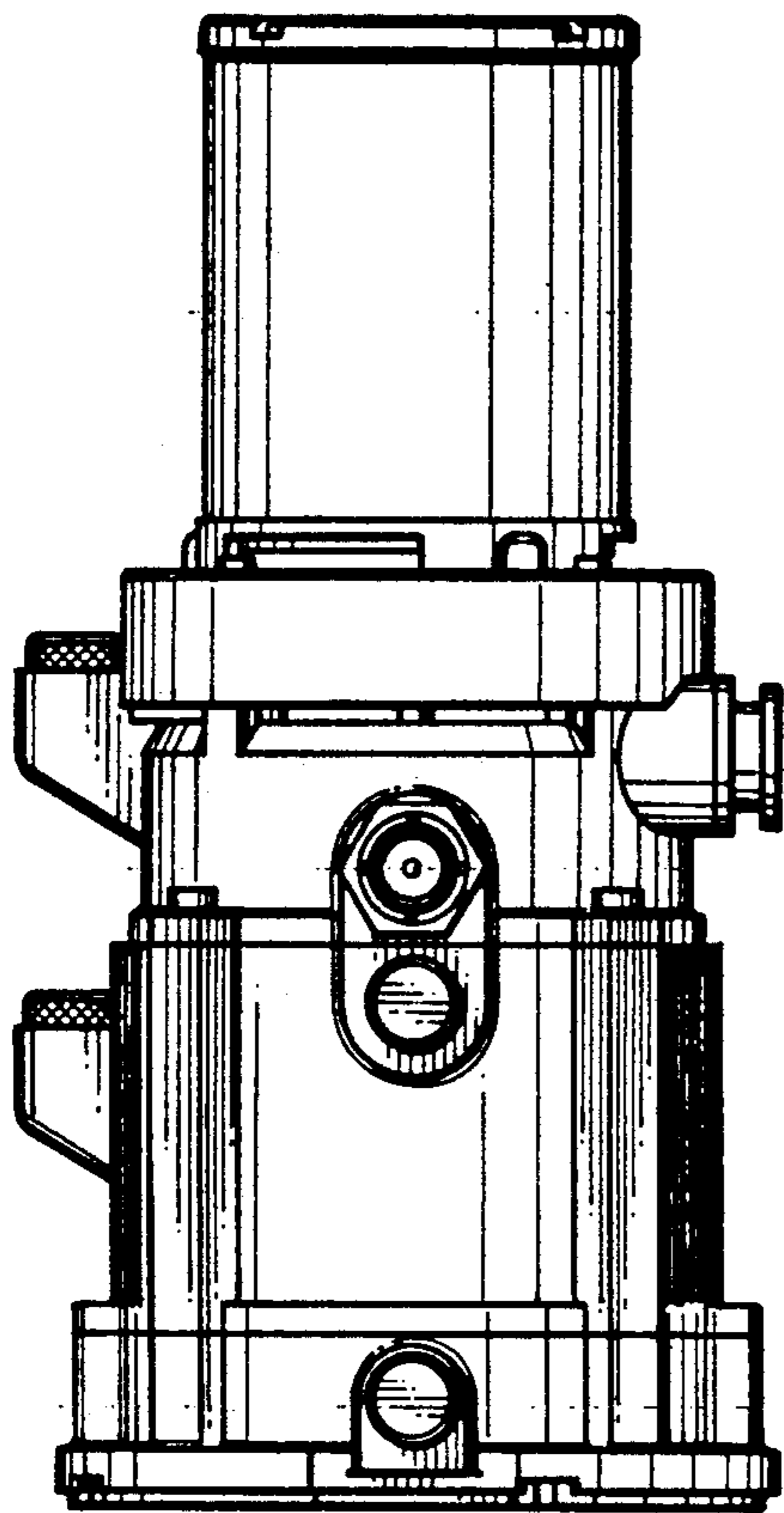


Fig. 2

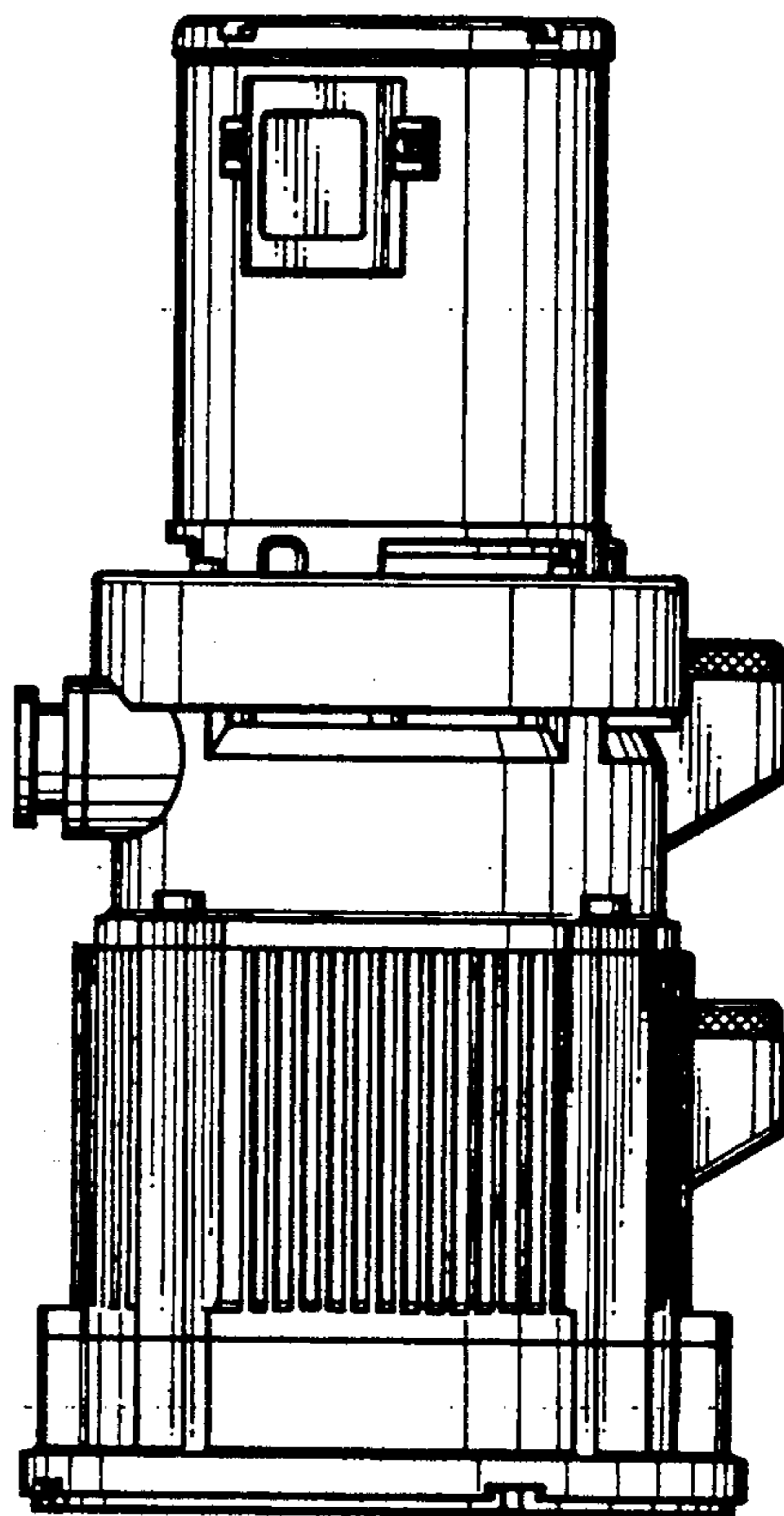


Fig. 3

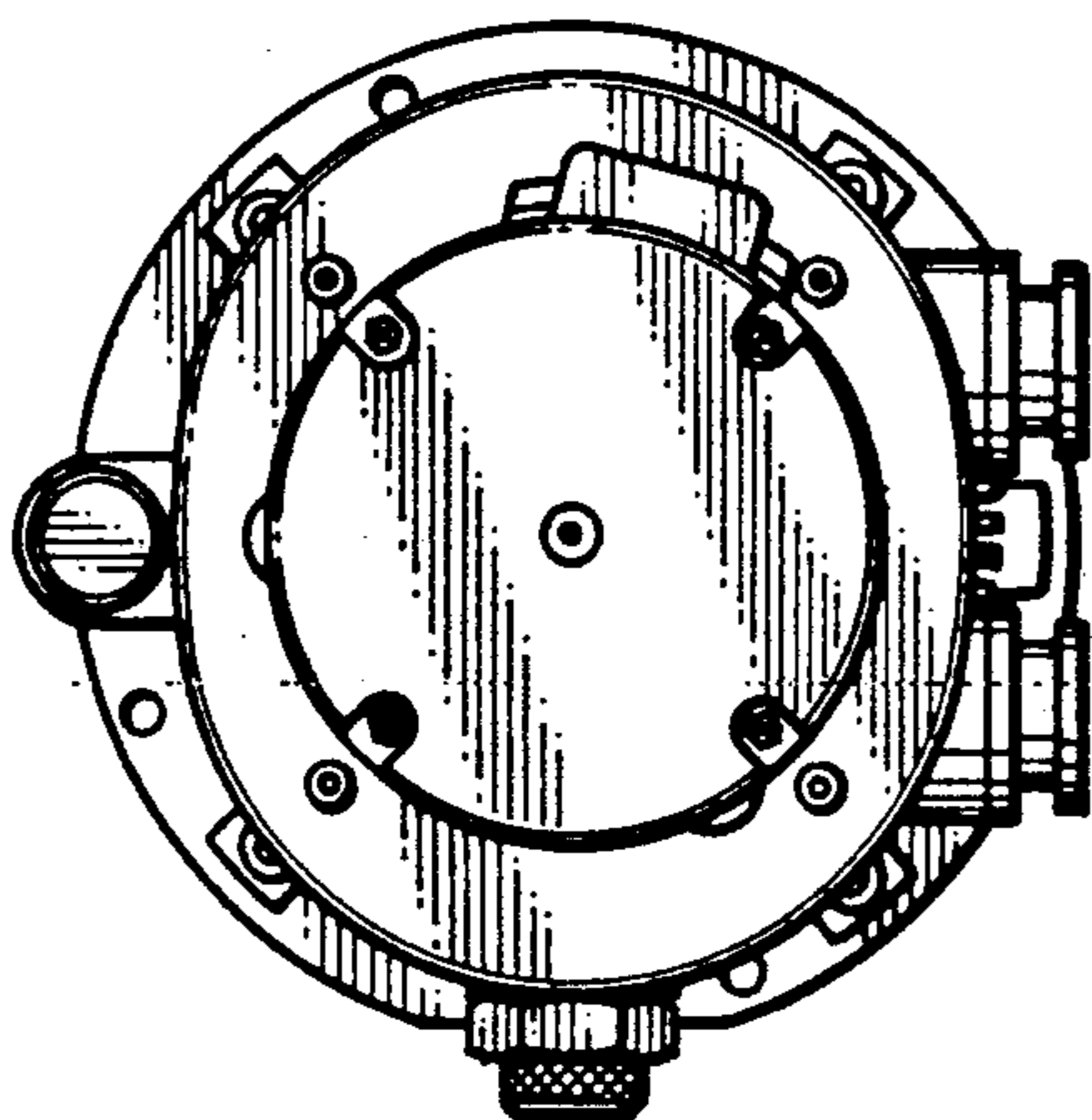


Fig. 4

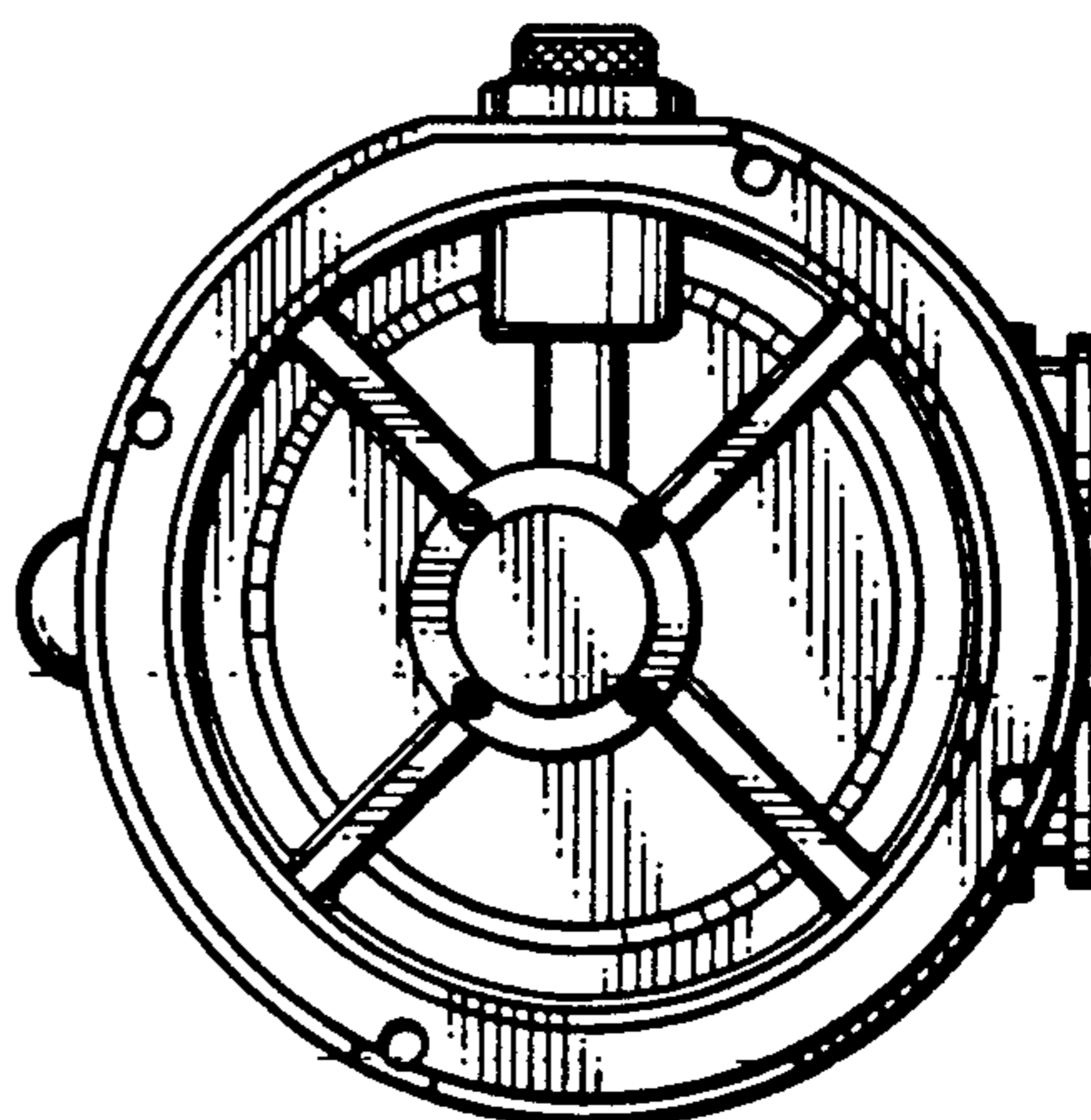


Fig. 5

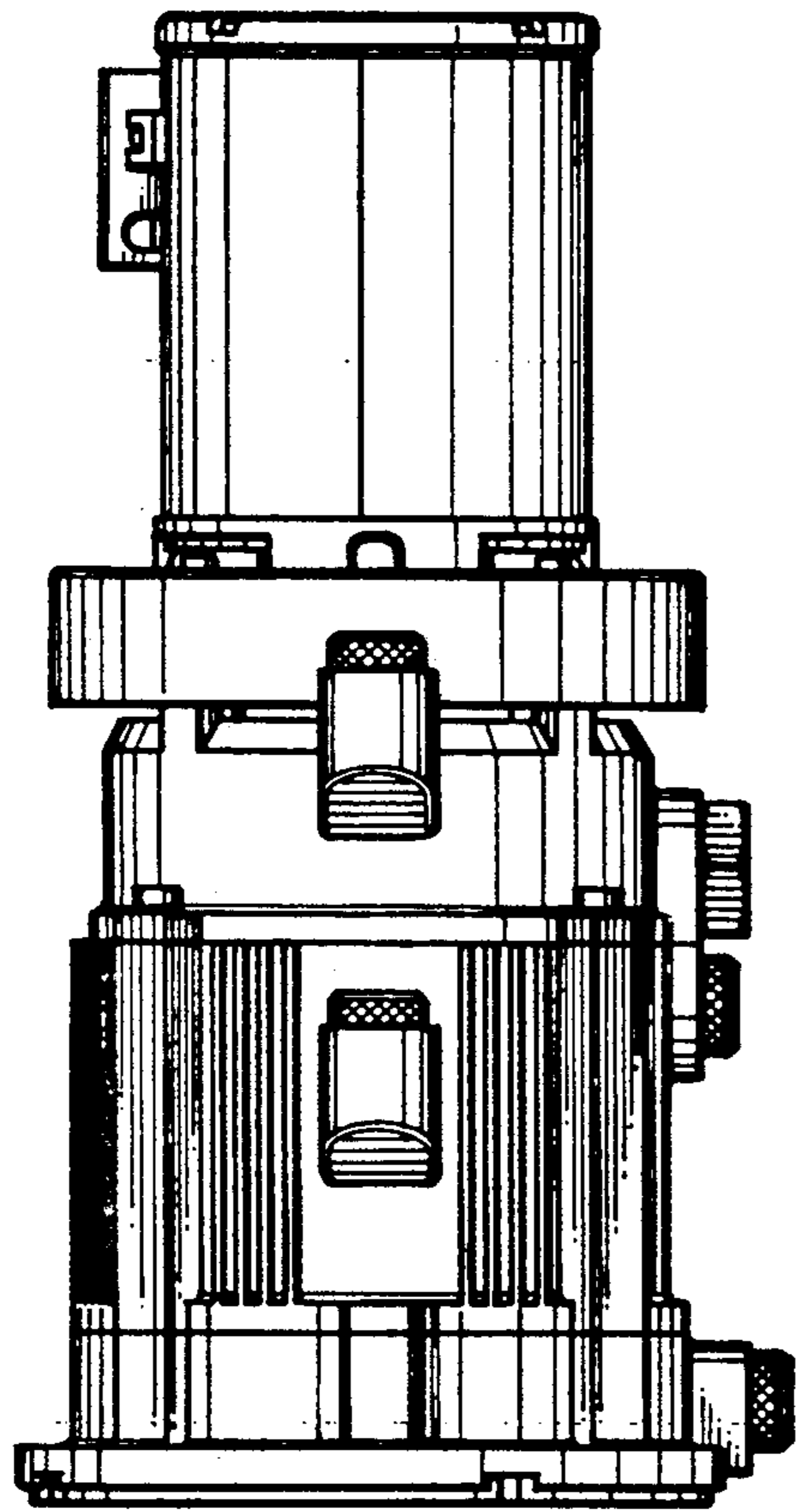


Fig. 6

