

United States Patent [19]

Campbell

[11] Patent Number: **Des. 315,911**

[45] Date of Patent: **** Apr. 2, 1991**

[54] **PUMP HOUSING**

[75] Inventor: **Jack F. Campbell, Guelph, Canada**

[73] Assignee: **GSW Inc., Fergus, Canada**

[**] Term: **14 Years**

[21] Appl. No.: **163,885**

[22] Filed: **Mar. 4, 1988**

[52] U.S. Cl. **D15/7**

[58] Field of Search **D15/5, 7-8, D15/9, 9.1, 9.2, 9.3; 415/200, 201; 417/398-404, 234, 424.1-424.2, 63, 54**

[56] **References Cited**

U.S. PATENT DOCUMENTS

3,115,844 12/1963 Maitlen 415/200
3,329,171 7/1967 Sibbald 415/200 X
3,826,589 7/1974 Frank et al. 415/201 X

3,829,238 8/1974 Speck 415/200 X
4,160,626 7/1979 Bell 417/403

FOREIGN PATENT DOCUMENTS

2402785 5/1979 France 415/200

Primary Examiner—Louis S. Zarfes

Assistant Examiner—R. T. Seifert

[57] **CLAIM**

The ornamental design for a pump housing, as shown.

DESCRIPTION

FIG. 1 is a perspective view of a pump housing showing my new design;

FIG. 2 is a left side elevational view;

FIG. 3 is a top plan view;

FIG. 4 is a front elevational view;

FIG. 5 is a bottom plan view;

FIG. 6 is a right side elevational view; and

FIG. 7 is a rear elevational view.

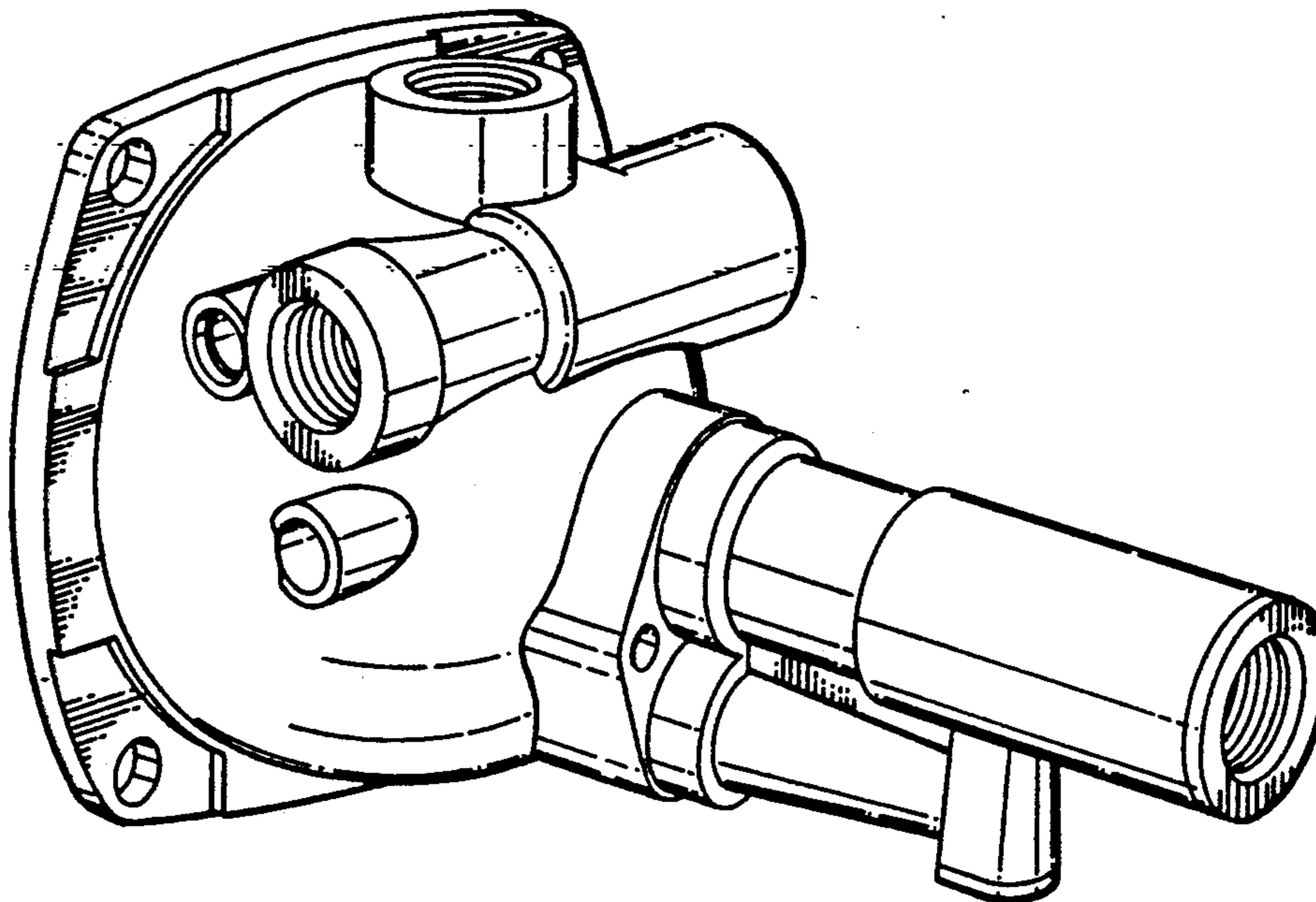


FIG. 1.

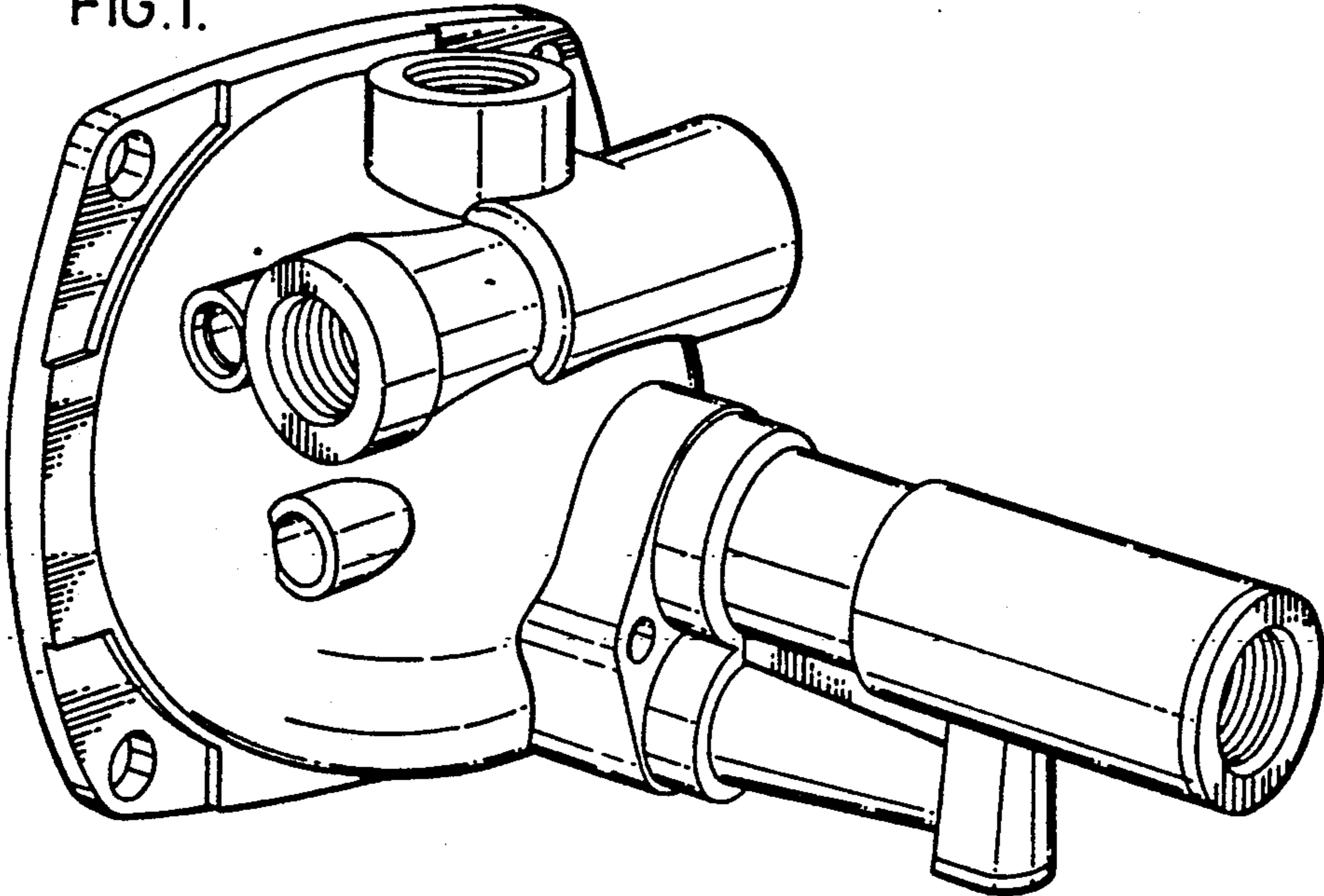


FIG. 2.

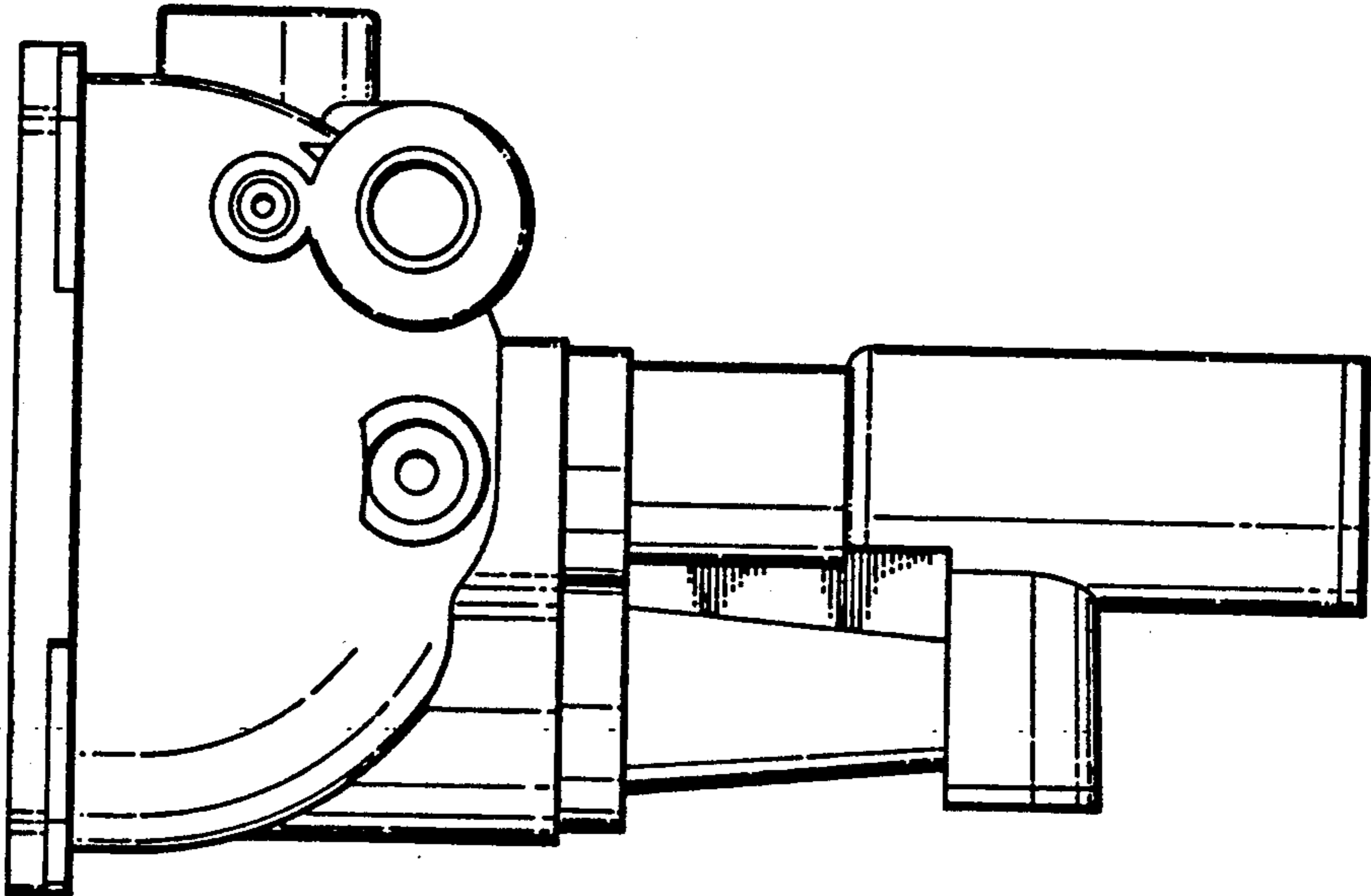


FIG. 3.

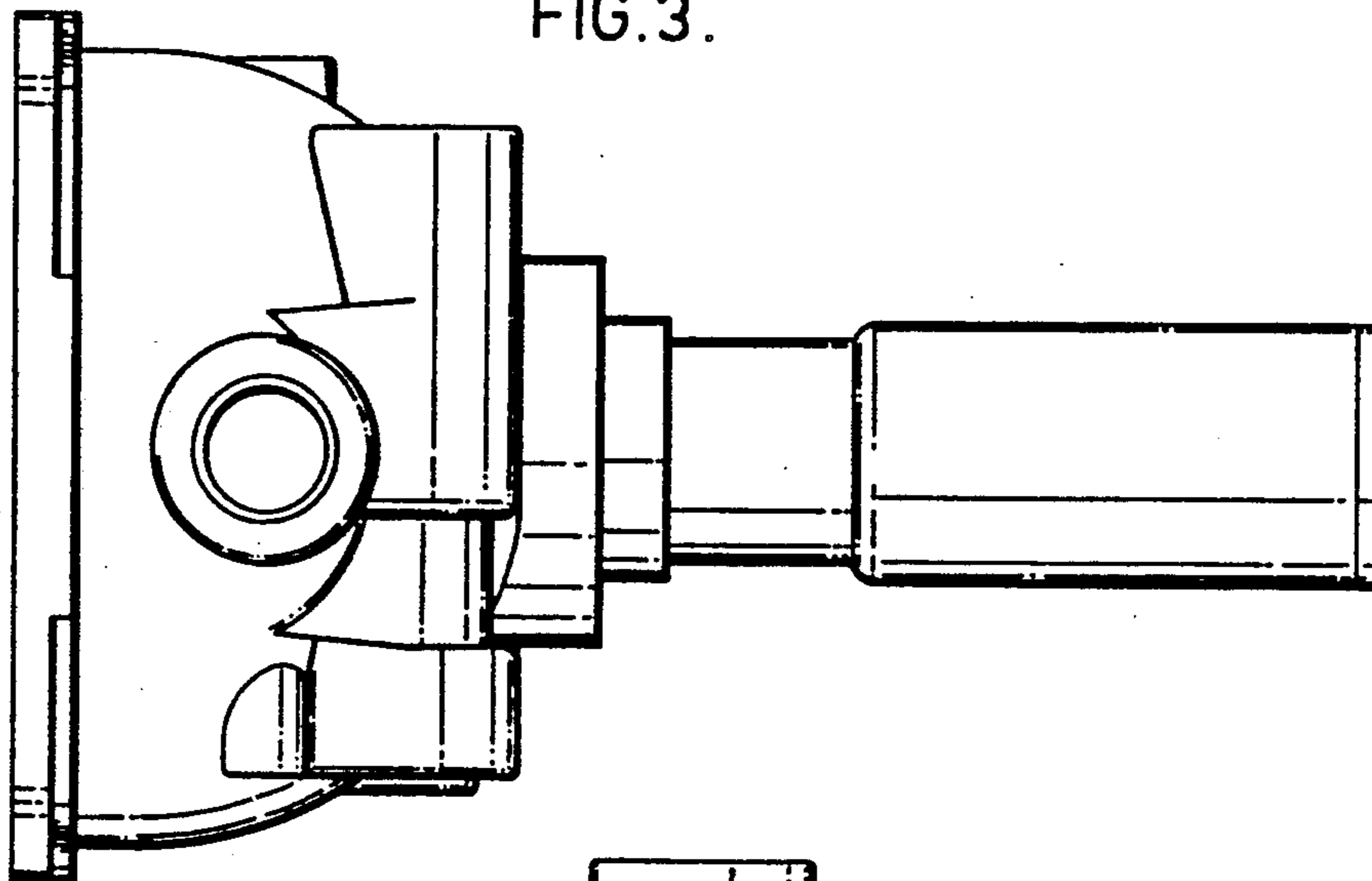


FIG. 4.

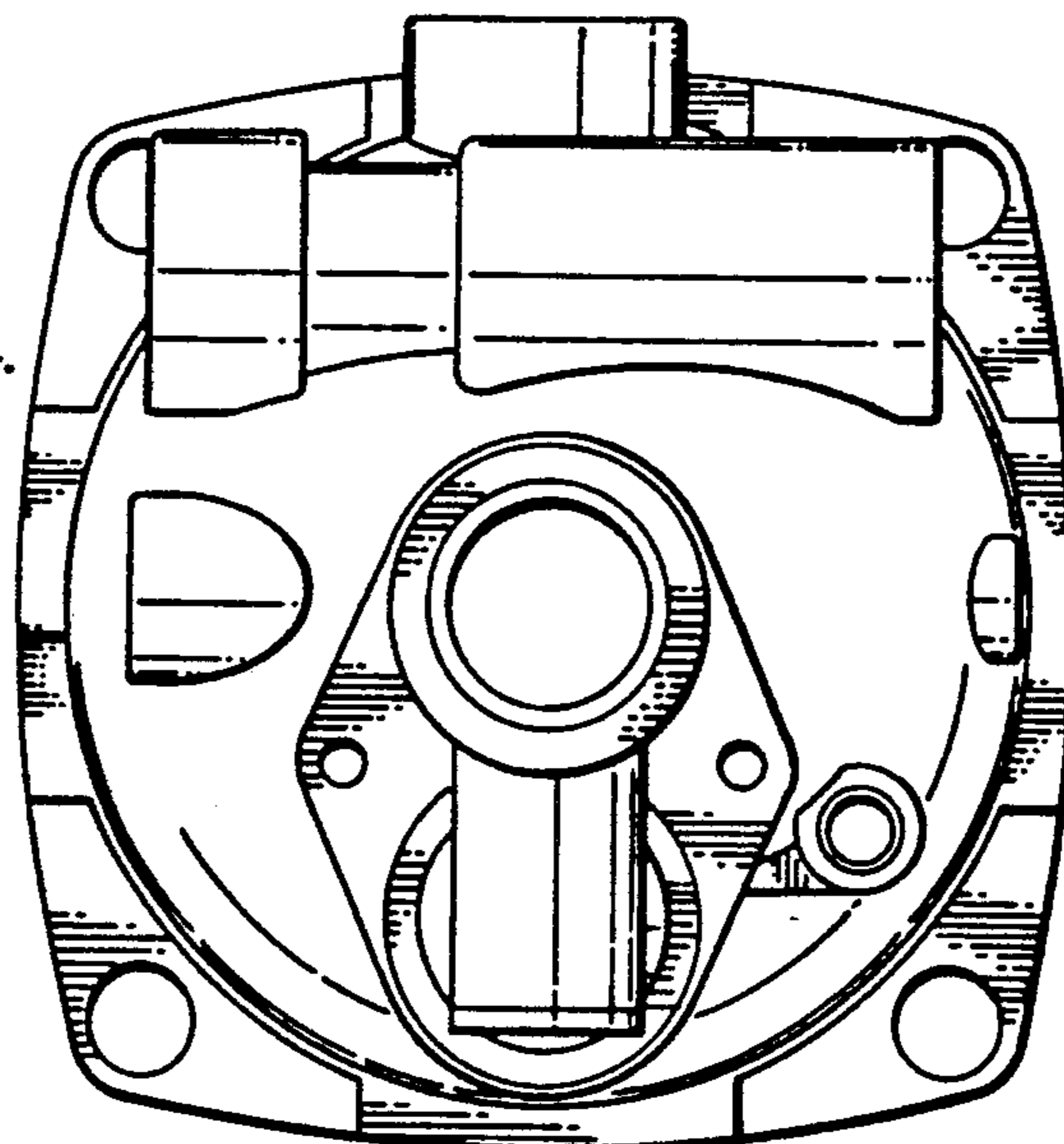


FIG. 5.

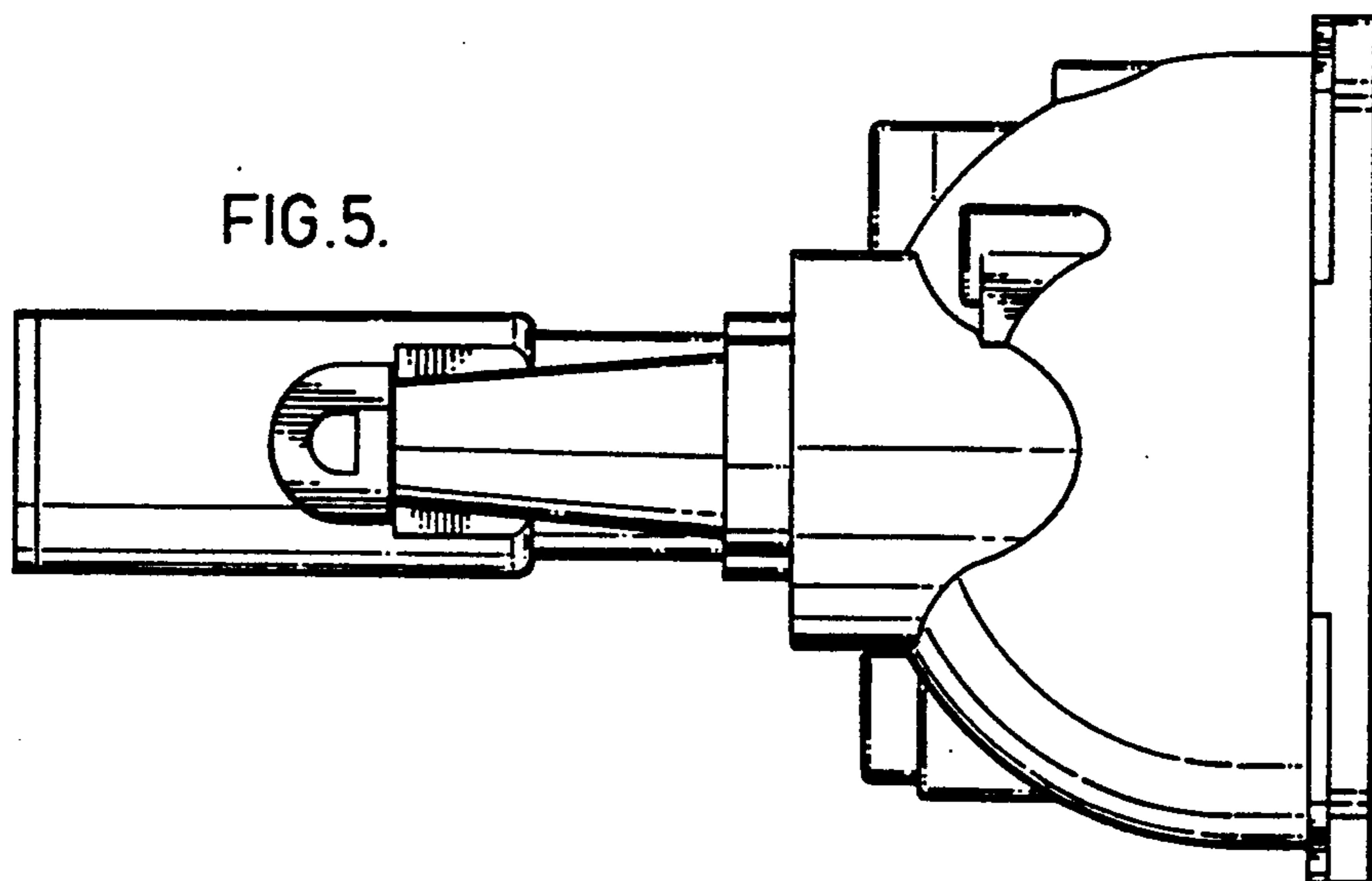


FIG. 6.

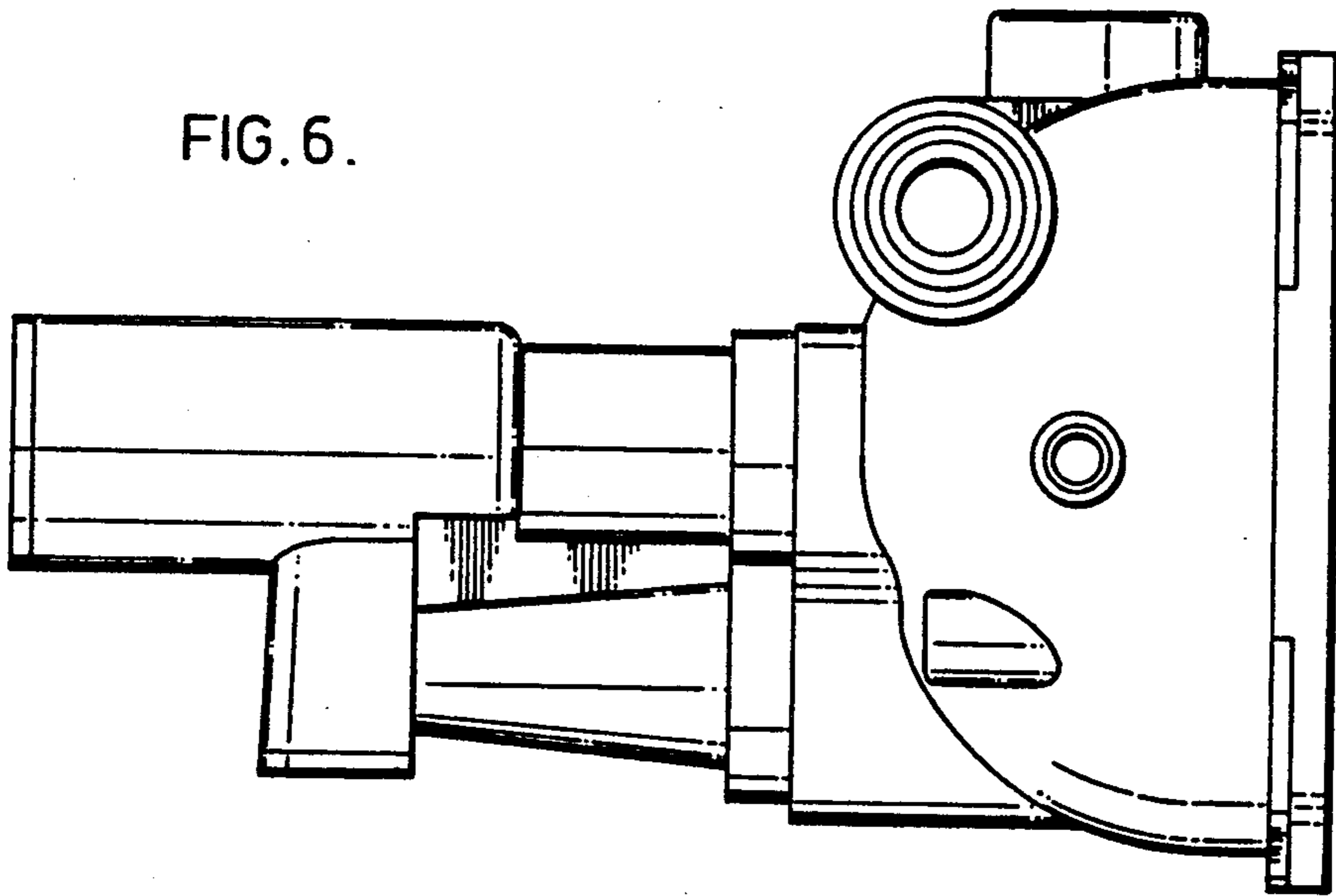


FIG. 7.

