

[54] TELEPHONE DIALING-KEY COVER

[76] Inventor: Raymond F. Ward, 5225 E. Thomas Rd., Apt 216, Phoenix, Ariz. 85018

[**] Term: 14 Years

[21] Appl. No.: 386,965

[22] Filed: Jul. 31, 1989

[52] U.S. Cl. D14/250

[58] Field of Search D14/250, 251; 379/441, 379/445, 437, 446, 399, 451; D21/111; D18/1, 11

[56] References Cited

U.S. PATENT DOCUMENTS

D. 237,954	11/1975	Ray, Jr.	D14/114
D. 265,561	7/1982	Cottell	D14/114
D. 274,331	6/1984	Karsch	D14/250
D. 283,138	3/1986	Hamar	D18/11
D. 283,950	5/1986	Markowitz	D18/11 X
D. 291,315	8/1987	Belford et al.	D114/114
D. 298,493	11/1988	Hatcher et al.	D14/114 X
D. 302,425	7/1989	La Budde et al.	D14/114
D. 306,732	3/1990	Ward	D14/251
2,473,775	6/1949	Allen et al.	D14/250 X
4,359,222	11/1987	Smith et al.	D14/114 X

4,471,409	9/1984	Dittrich	D14/114 X
4,546,217	10/1985	Frehn	D14/250 X
4,922,980	5/1990	Porter	D14/114 X
4,937,860	6/1990	Smith	379/441 X

FOREIGN PATENT DOCUMENTS

2166943A	5/1986	United Kingdom	D14/114
2187610A	9/1987	United Kingdom	379/441

Primary Examiner—Horace B. Fay, Jr.

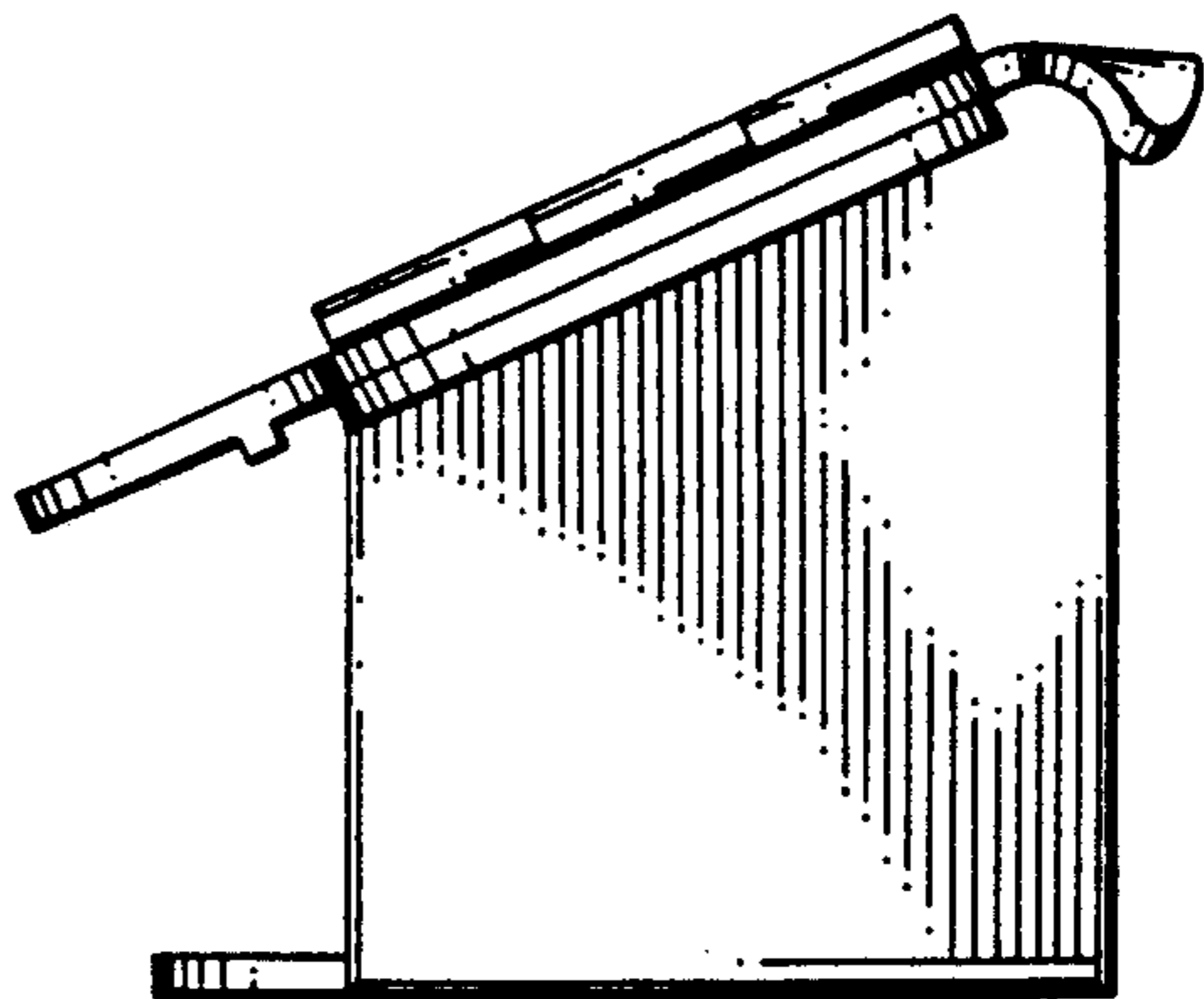
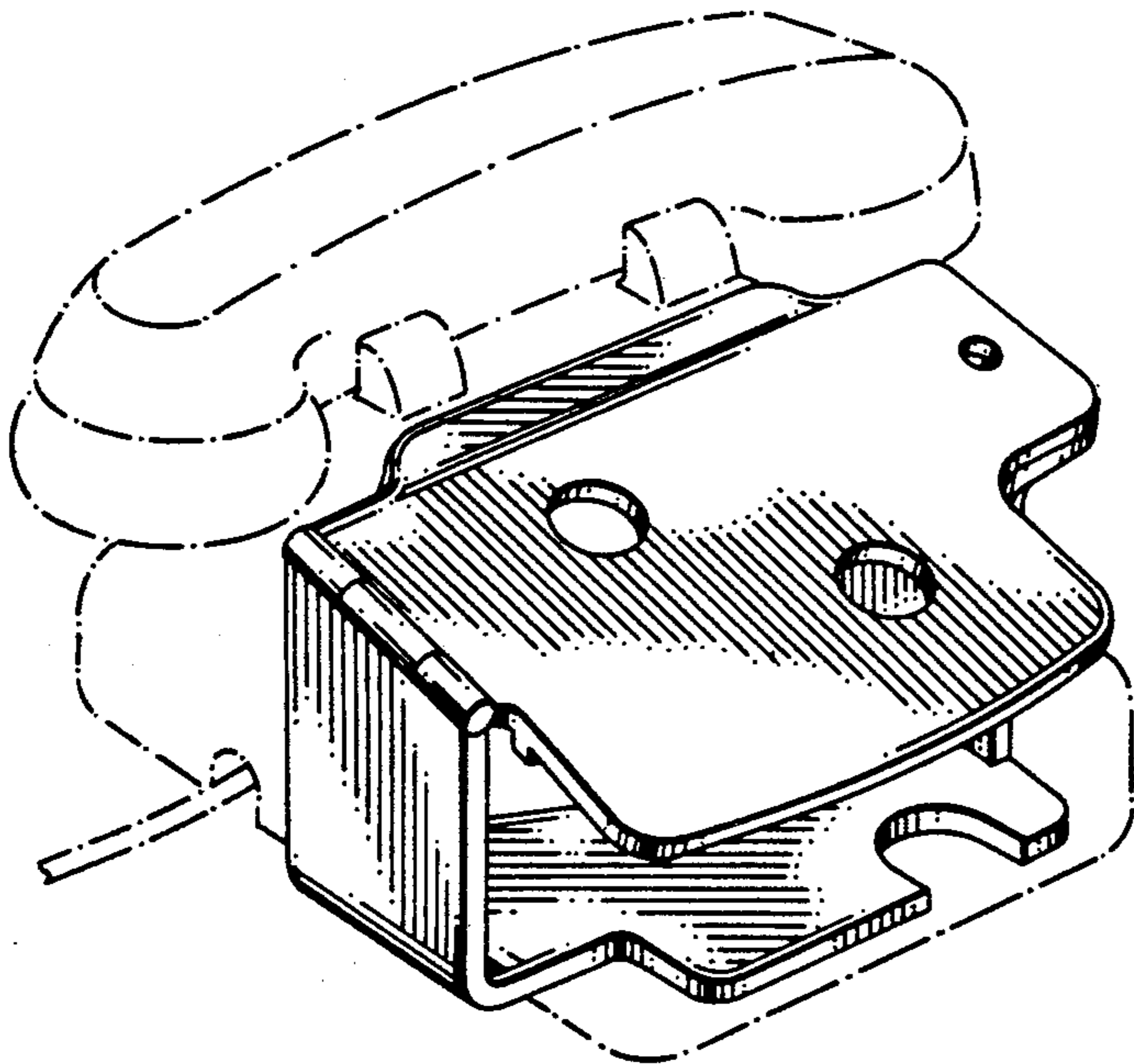
Attorney, Agent, or Firm—James F. Duffy

[57] CLAIM

The ornamental design for the telephone dialing-key cover, as shown and described.

DESCRIPTION

FIG. 1 is a top, front left, and front perspective view of a telephone dialing key cover showing my new design; FIGS. 2 and 3 are respectively right and left side elevational views thereof; FIGS. 4 and 5 are respectively top and bottom plan views thereof; and FIGS. 6 and 7 are respectively front and rear elevational views thereof. The broken line showing of a handset, and base and electric cord in FIG. 1 is for illustrative purposes only and forms no part of the claimed design.



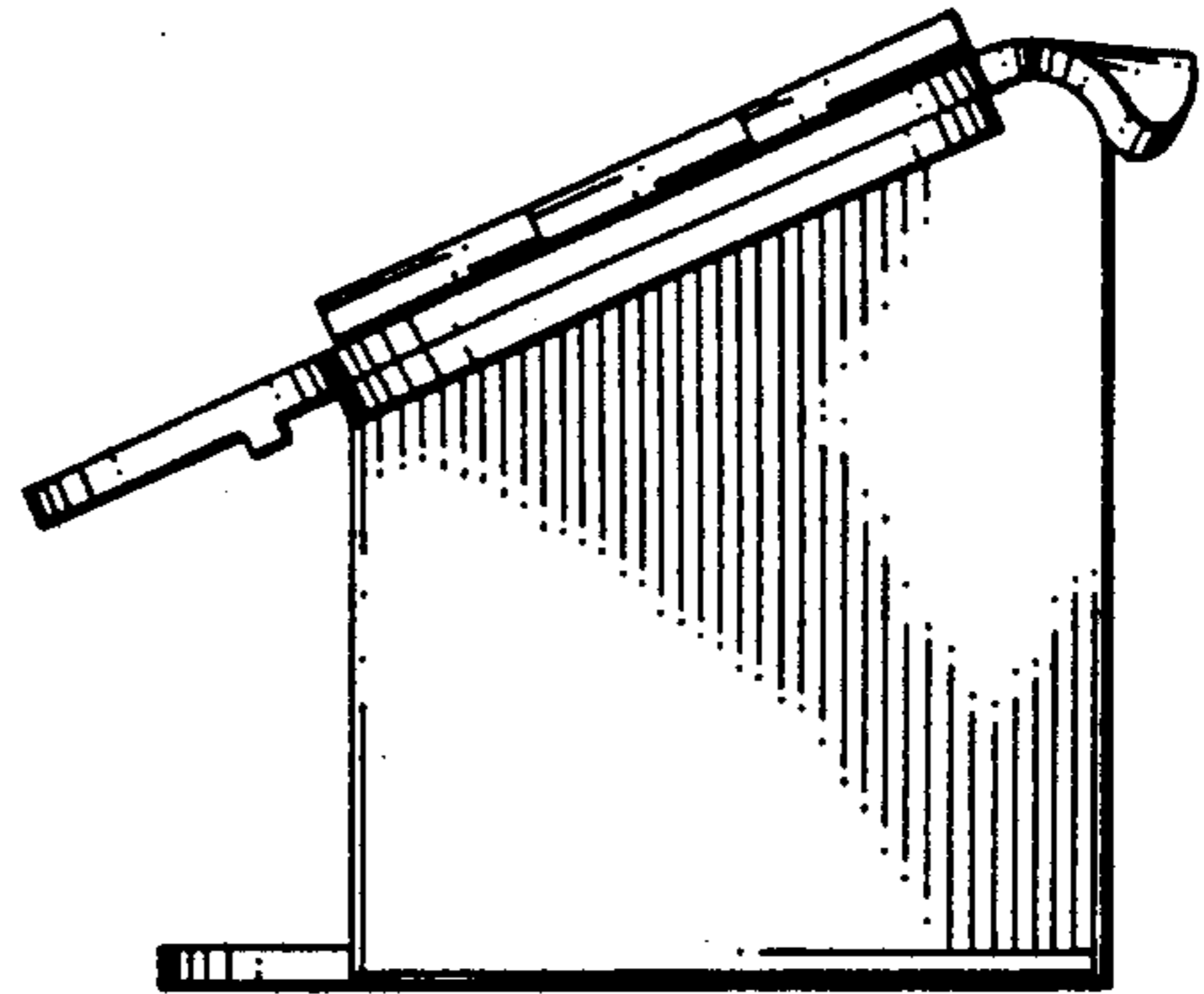
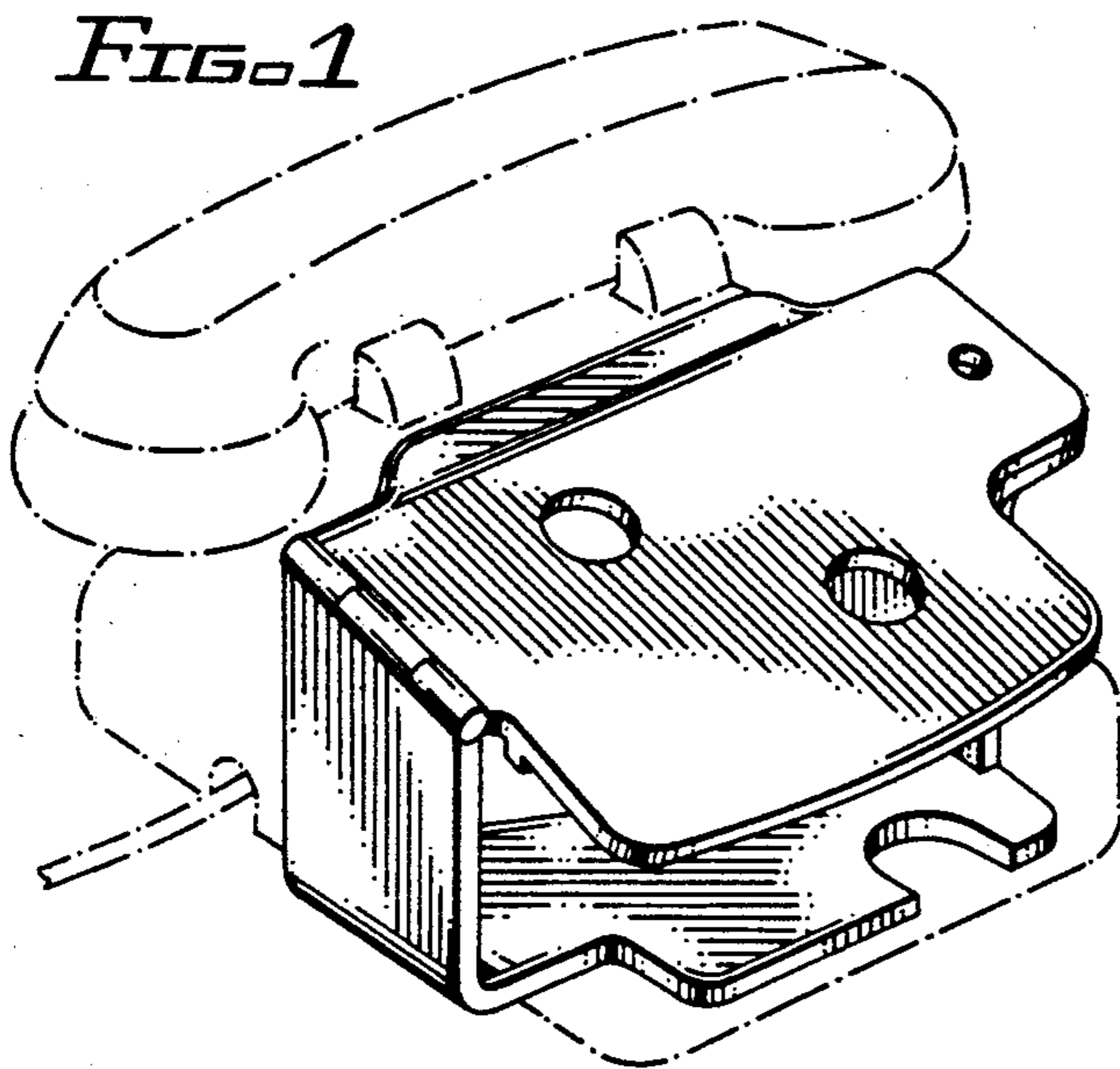


FIG. 2

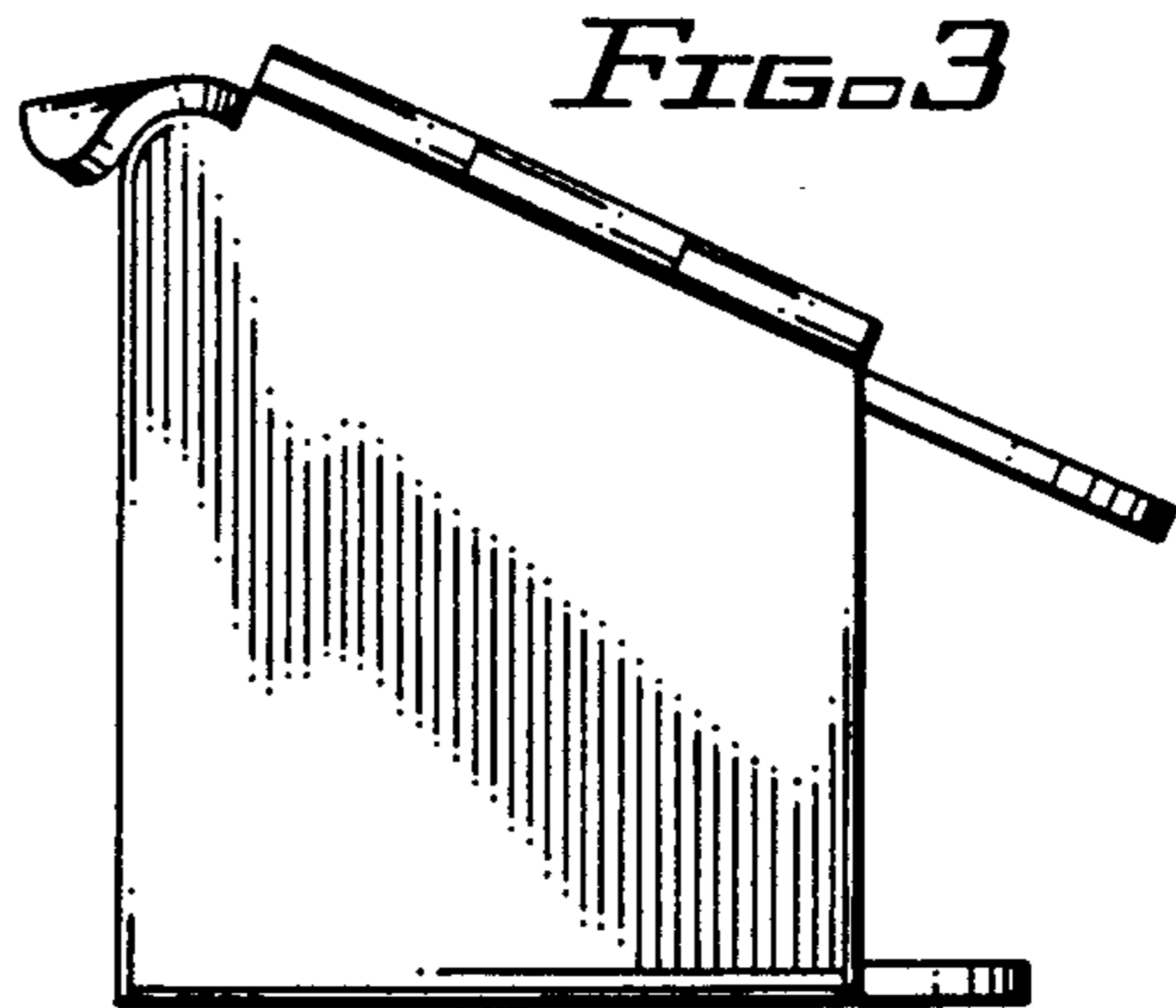


FIG. 3

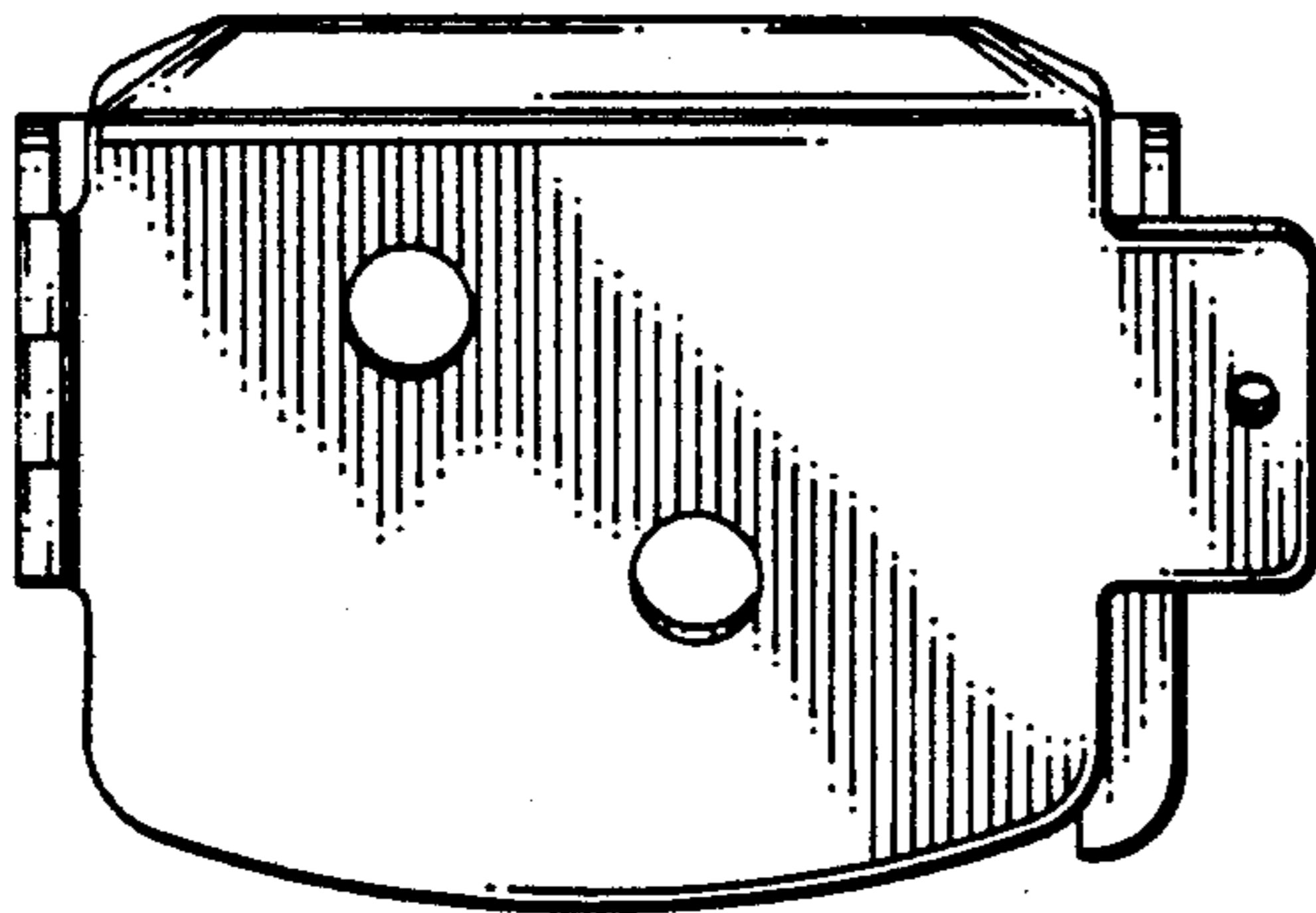


FIG. 4

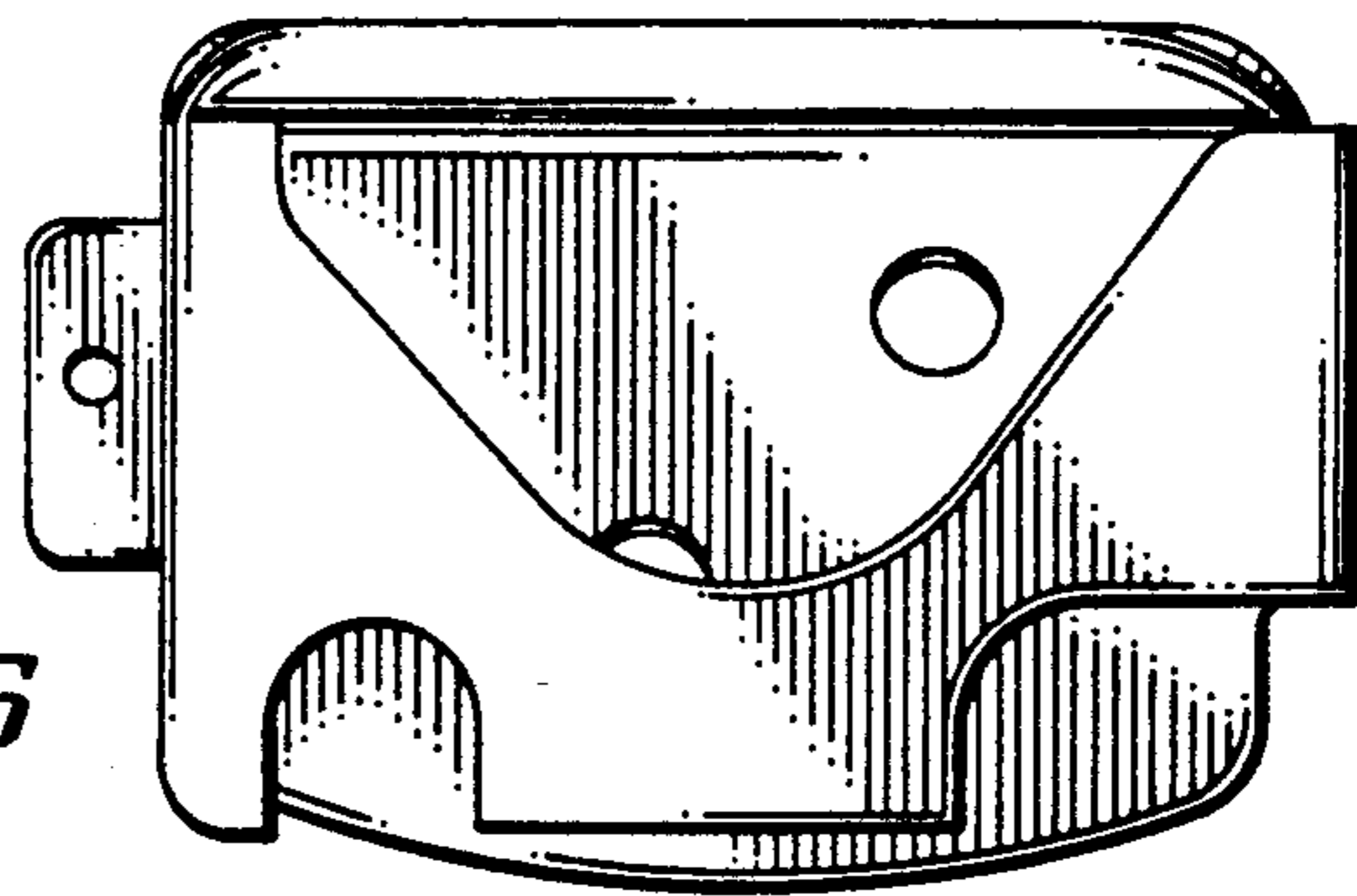


FIG. 5

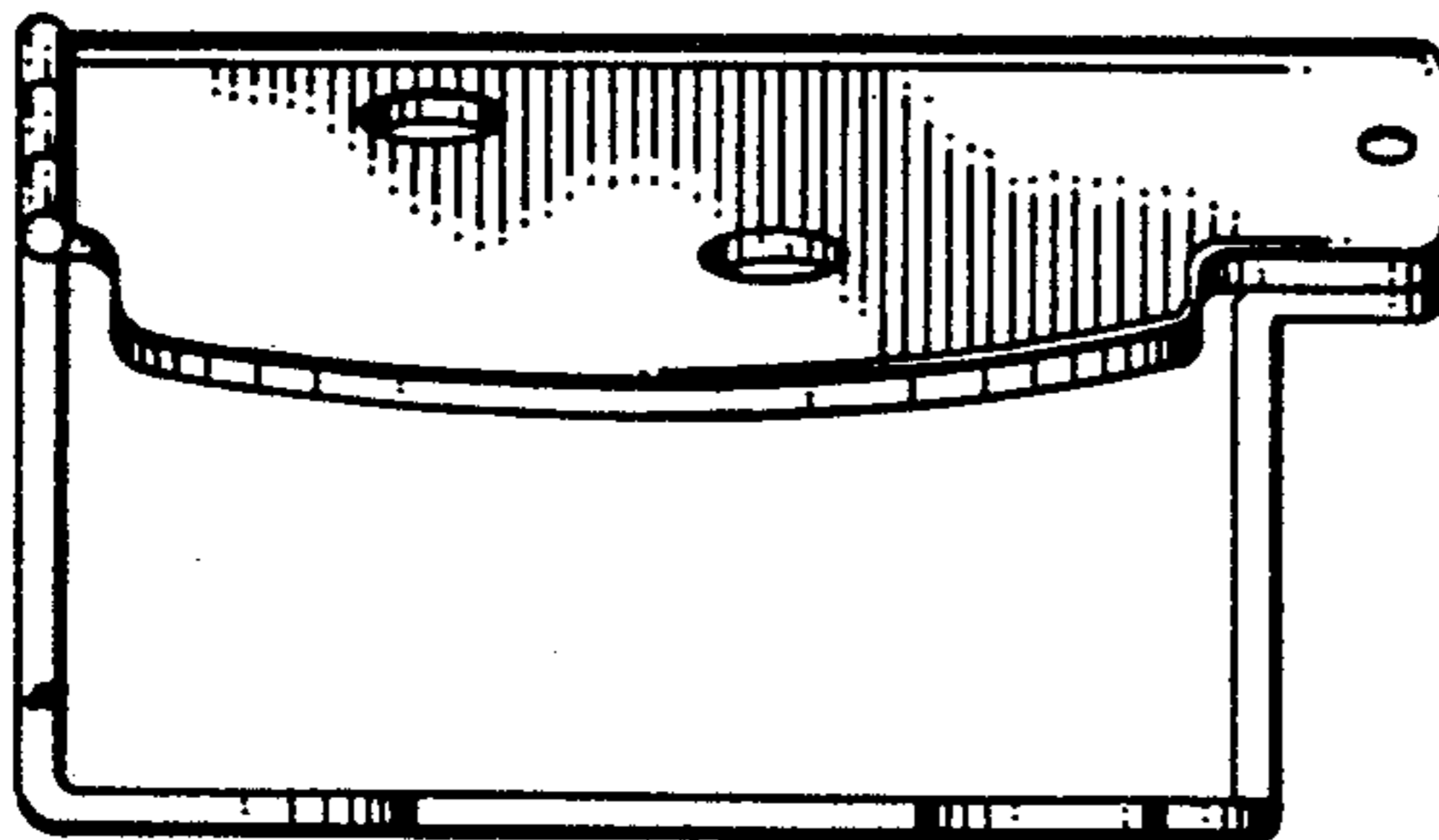


FIG. 6

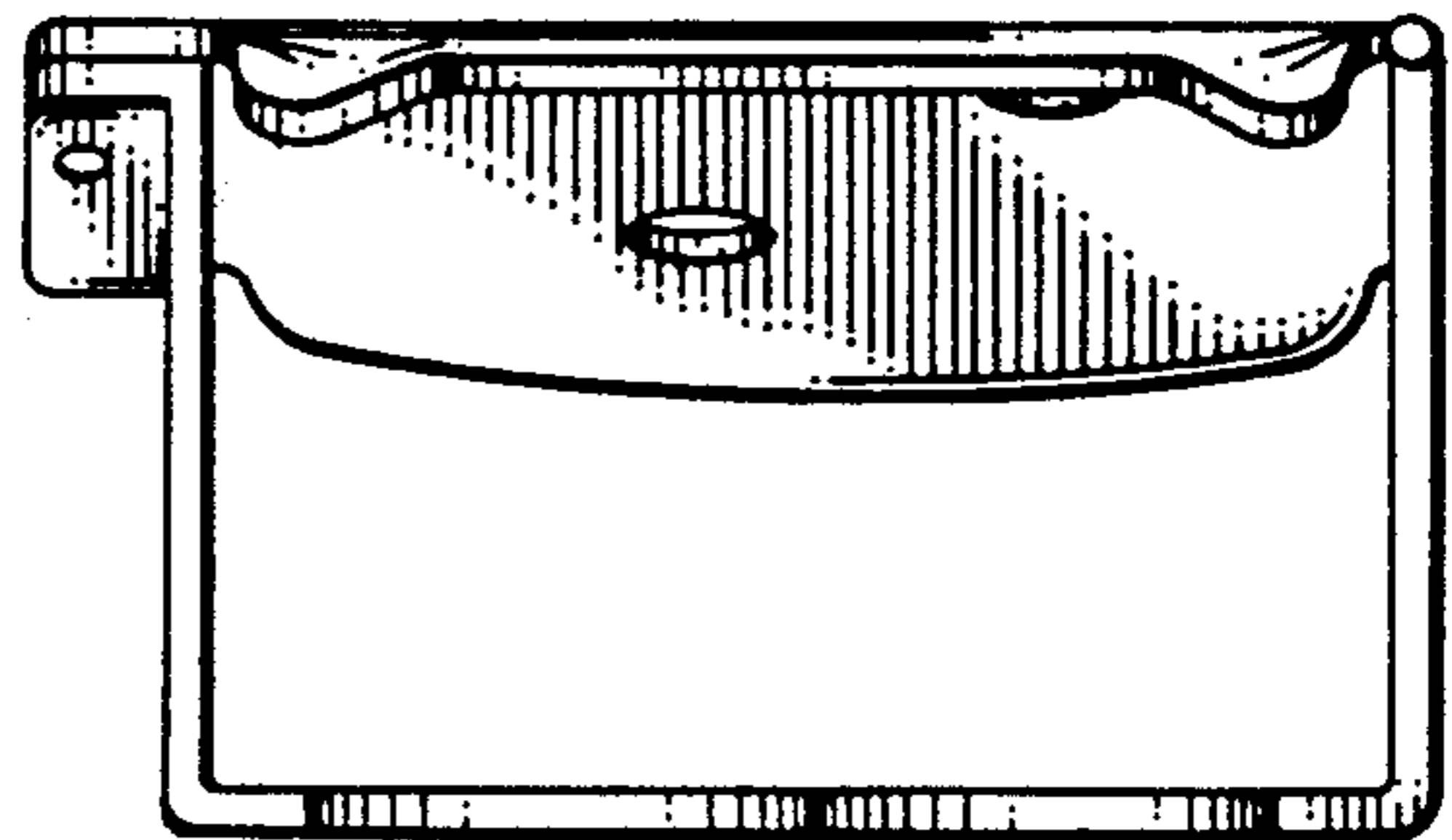


FIG. 7