

[54] TELEPHONE DIALING-KEY COVER

[76] Inventor: Raymond F. Ward, 5225 E. Thomas Rd., Apt. 216, Phoenix, Ariz. 85018

[**] Term: 14 Years

[21] Appl. No.: 386,964

[22] Filed: Jul. 31, 1989

[52] U.S. Cl. D14/250

[58] Field of Search D14/251, 250; 379/441, 379/445, 437, 399, 451; D21/111; D18/1, 11

[56] References Cited

U.S. PATENT DOCUMENTS

- D. 237,754 11/1975 Ray, Jr. D14/114
- D. 265,561 7/1982 Cottrell D14/114
- D. 274,331 6/1984 Karsch D14/250
- D. 283,138 3/1986 Hamar D18/11
- D. 283,950 5/1986 Markowitz D18/11 X
- D. 291,315 8/1987 Belford et al. D14/114
- D. 298,493 11/1988 Hatcher et al. D13/114 X
- D. 302,425 7/1989 La Budde et al. D14/114
- D. 306,732 3/1990 Ward D14/251

- 2,473,775 6/1949 Allen et al. D14/250 X
- 4,359,222 11/1987 Smith et al. D14/114 X
- 4,471,409 9/1984 Dittrich D14/114 X
- 4,546,217 10/1985 Frehm D14/250 X
- 4,922,980 5/1990 Parker D14/114 X
- 4,937,860 6/1990 Smith 379/441 X

FOREIGN PATENT DOCUMENTS

- 2166943 5/1986 United Kingdom D14/114
- 2187610 9/1987 United Kingdom 379/441

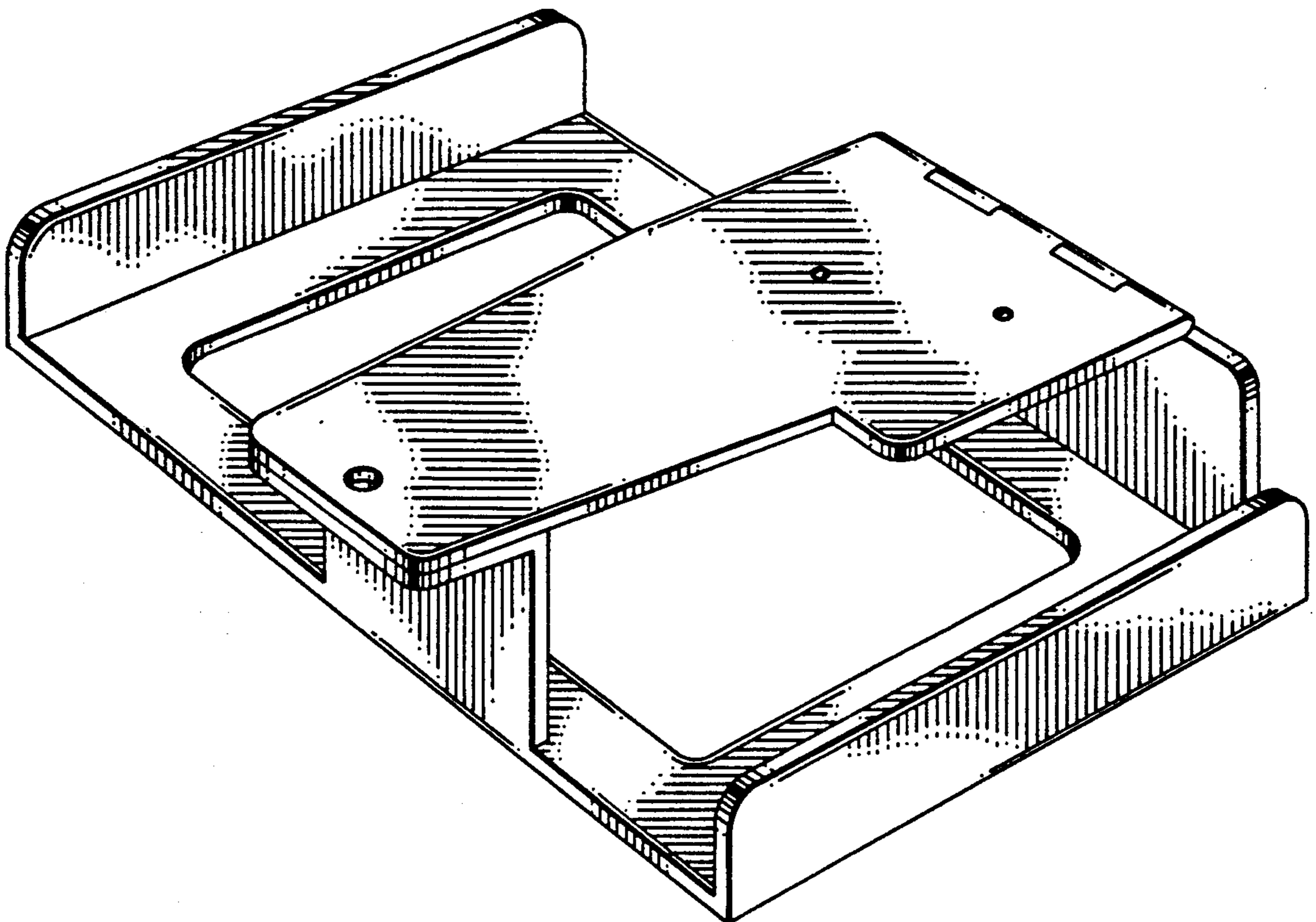
Primary Examiner—Horace B. Fay, Jr.

[57] CLAIM

The ornamental design for the telephone dialing-key cover, as shown and described.

DESCRIPTION

FIG. 1 is a top, left, front perspective view of a telephone dialing key cover showing my new design; FIGS. 2 and 3 are respectively rear and front elevational views thereof; FIGS. 4 and 5 are respectively left and right side elevational views thereof; and FIG. 6 is a bottom plan view thereof.



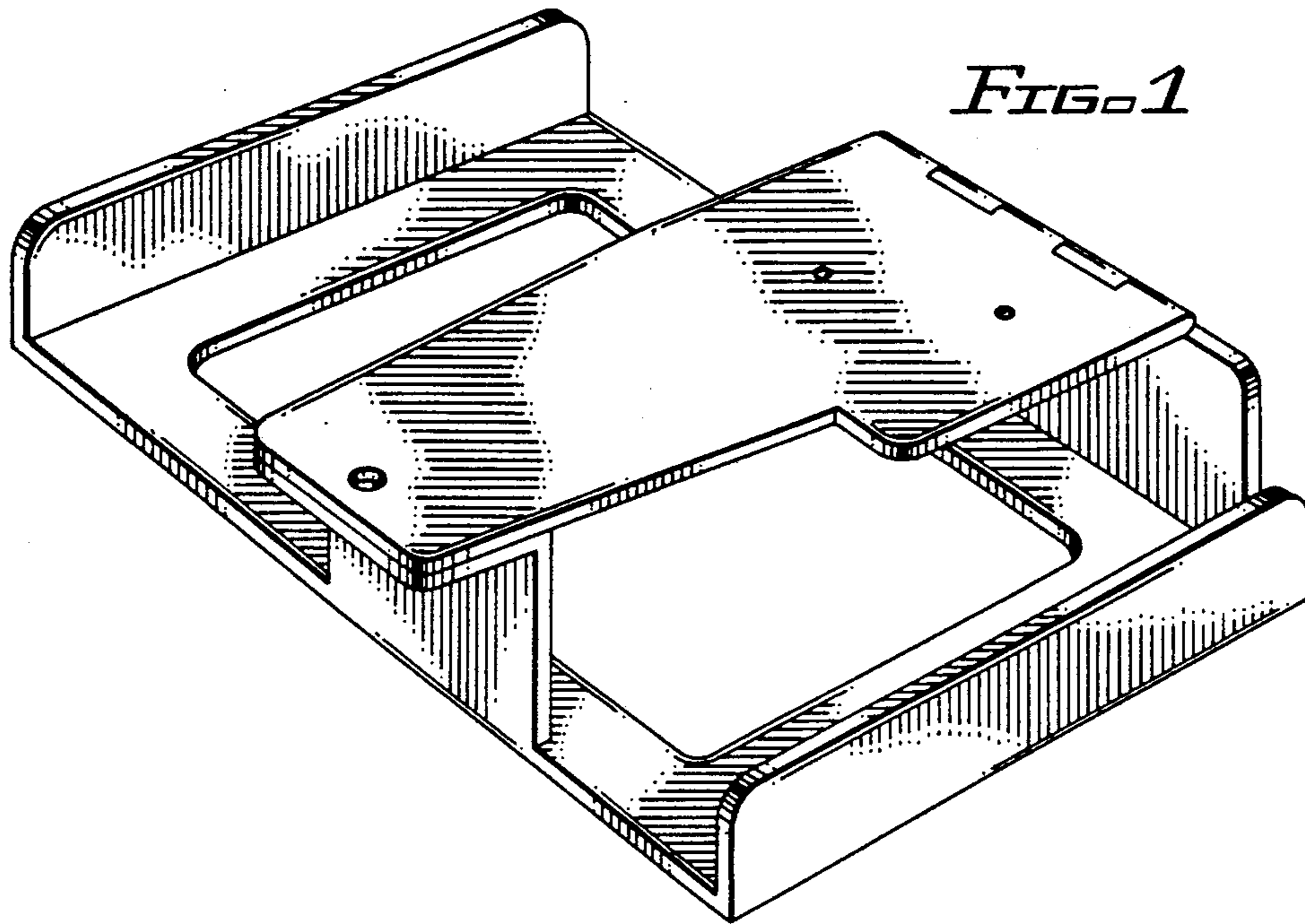


FIG. 2



FIG. 3

FIG. 4

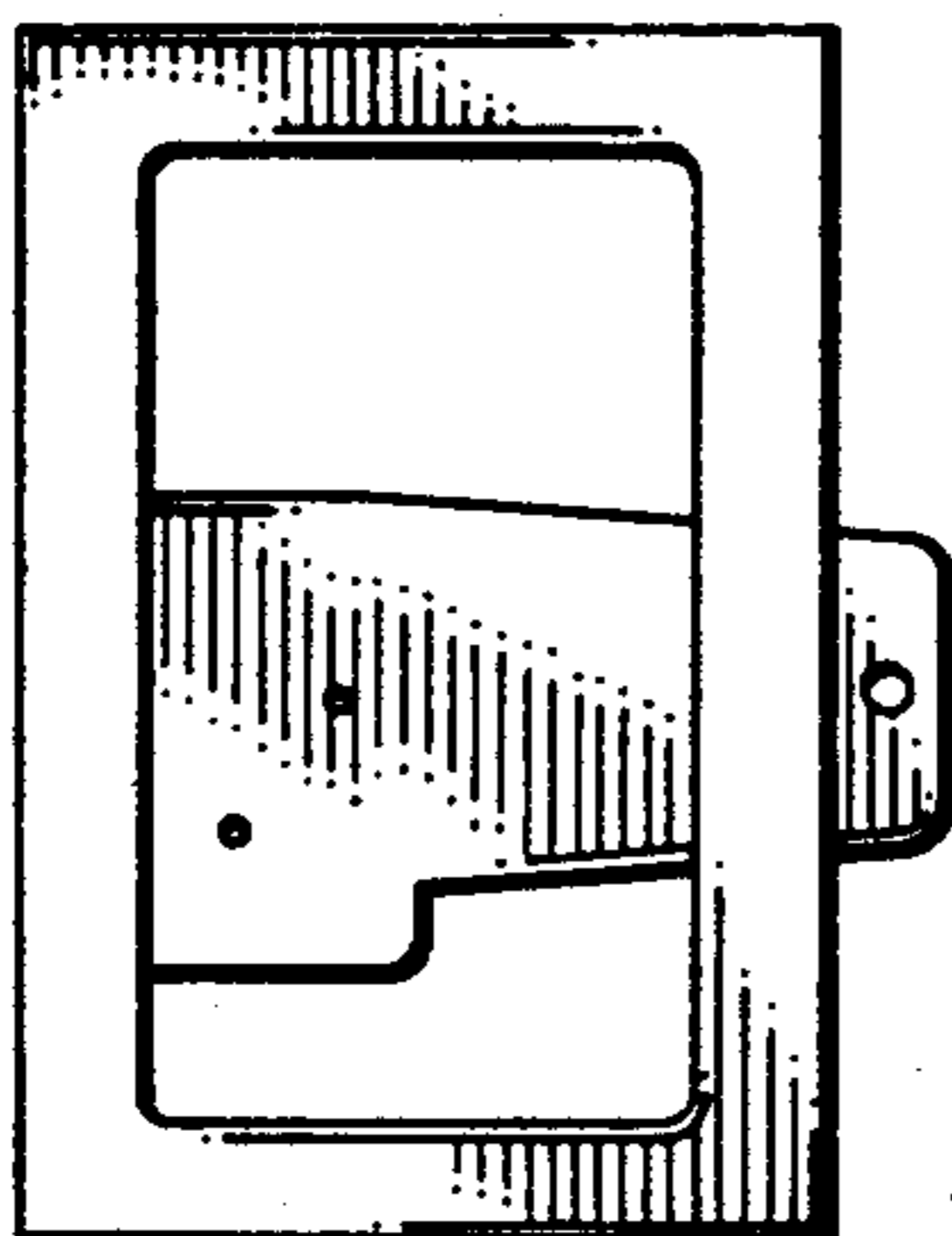
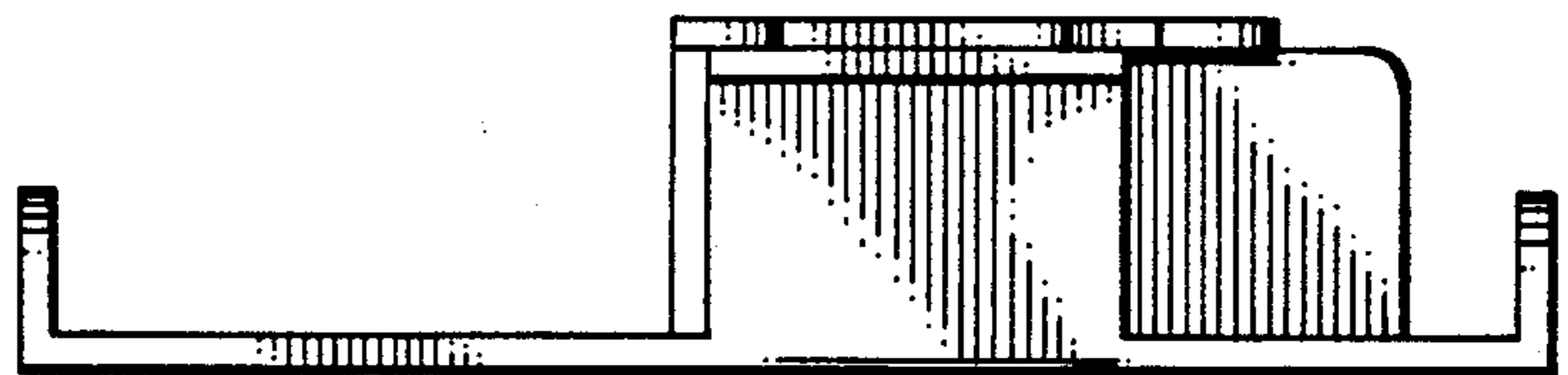


FIG. 6

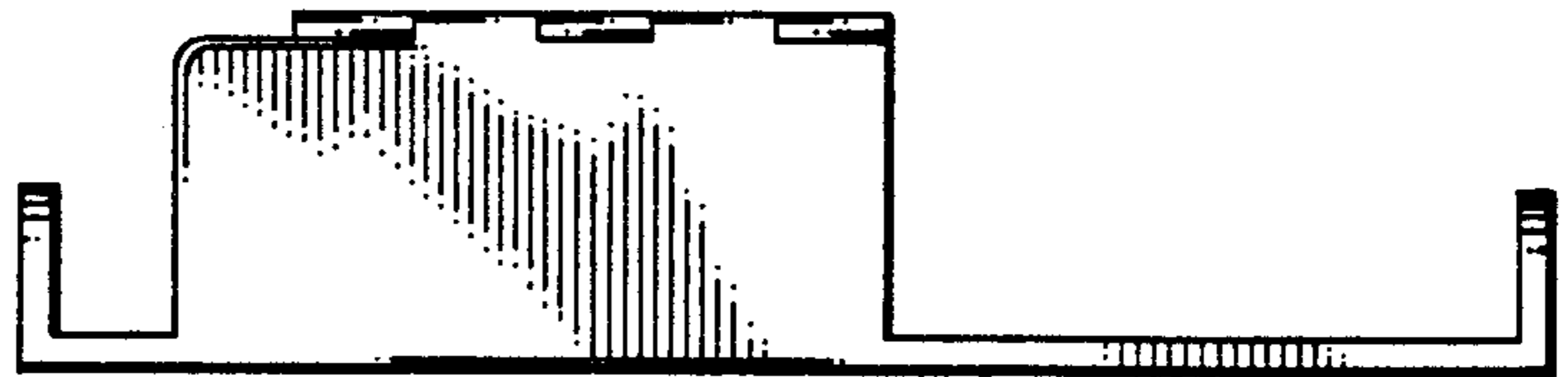


FIG. 5