

[54] GAME CARTRIDGE

[75] Inventor: Yoshiaki Nakauma, Chigasaki, Japan

[73] Assignee: Namco, Ltd., Tokyo, Japan

[**] Term: 14 Years

[21] Appl. No.: 284,481

[22] Filed: Dec. 15, 1988

[52] U.S. Cl. D14/121

[58] Field of Search D14/120, 121, 299, 114;
D3/35; D21/13, 48; 360/132; 273/DIG. 28;
206/387

- D. 274,905 7/1984 Rainey et al. .
- D. 275,095 8/1984 Fang .
- D. 280,322 8/1985 Velinsky .
- D. 280,413 9/1985 Grimes .
- D. 285,307 8/1986 Clarke .
- D. 290,119 6/1987 Trezise et al. .
- D. 292,399 10/1987 Yakawa .
- D. 294,020 2/1988 Yakawa .
- 4,072,930 2/1948 Lucero et al. .
- 4,459,680 7/1984 Sukedo et al. .
- 4,642,769 2/1987 Petrofsky .
- 4,755,982 7/1988 Douwes 369/291

Primary Examiner—Bernard Ansher
Assistant Examiner—Terry A. Pfeffer
Attorney, Agent, or Firm—Oliff & Berridge

[56] References Cited

U.S. PATENT DOCUMENTS

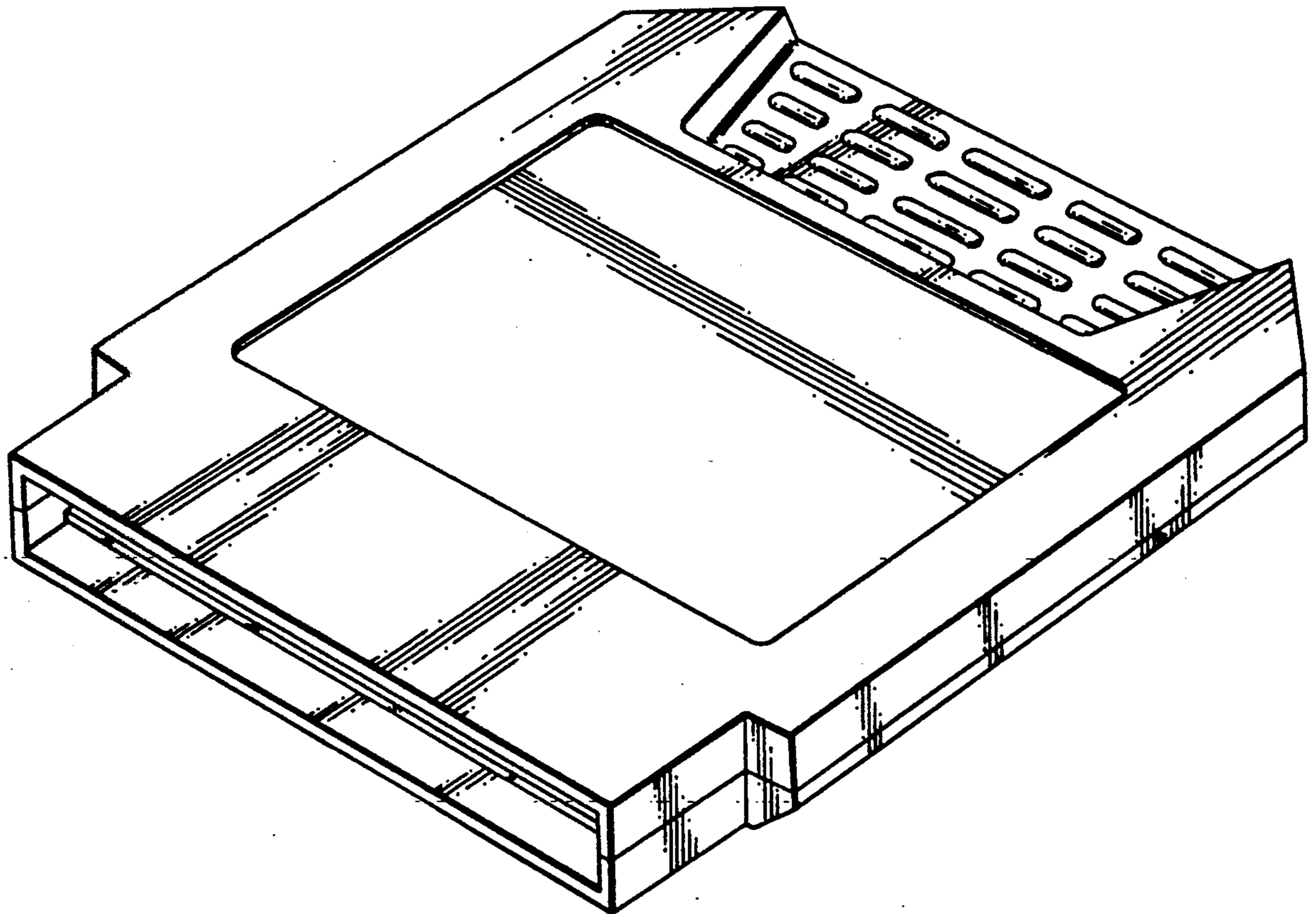
- D. 243,279 2/1977 Bookless et al. .
- D. 248,470 7/1978 Talesfore .
- D. 257,345 10/1980 Levy .
- D. 260,881 9/1981 McKinsey et al. .
- D. 261,644 11/1981 McKinsey et al. .
- D. 263,222 3/1982 Driscoll .
- D. 267,714 1/1983 Tajima et al. .
- D. 269,087 5/1983 Nishi .
- D. 271,688 12/1983 Tajima et al. .
- D. 271,777 12/1983 Schlagheck et al. .
- D. 271,970 12/1983 Velsher et al. .
- D. 272,342 1/1984 Cheng .
- D. 274,731 7/1984 Girardi et al. .

[57] CLAIM

The ornamental design for game cartridge, as shown.

DESCRIPTION

FIG. 1 is a top, front, right side perspective view of the game cartridge showing my new design;
FIG. 2 is a bottom, rear, right side perspective view thereof;
FIG. 3 is a rear elevational view thereof;
FIG. 4 is a top plan view thereof;
FIG. 5 is a front elevational view thereof;
FIG. 6 is a left side elevational view thereof; and
FIG. 7 is a bottom plan view thereof.



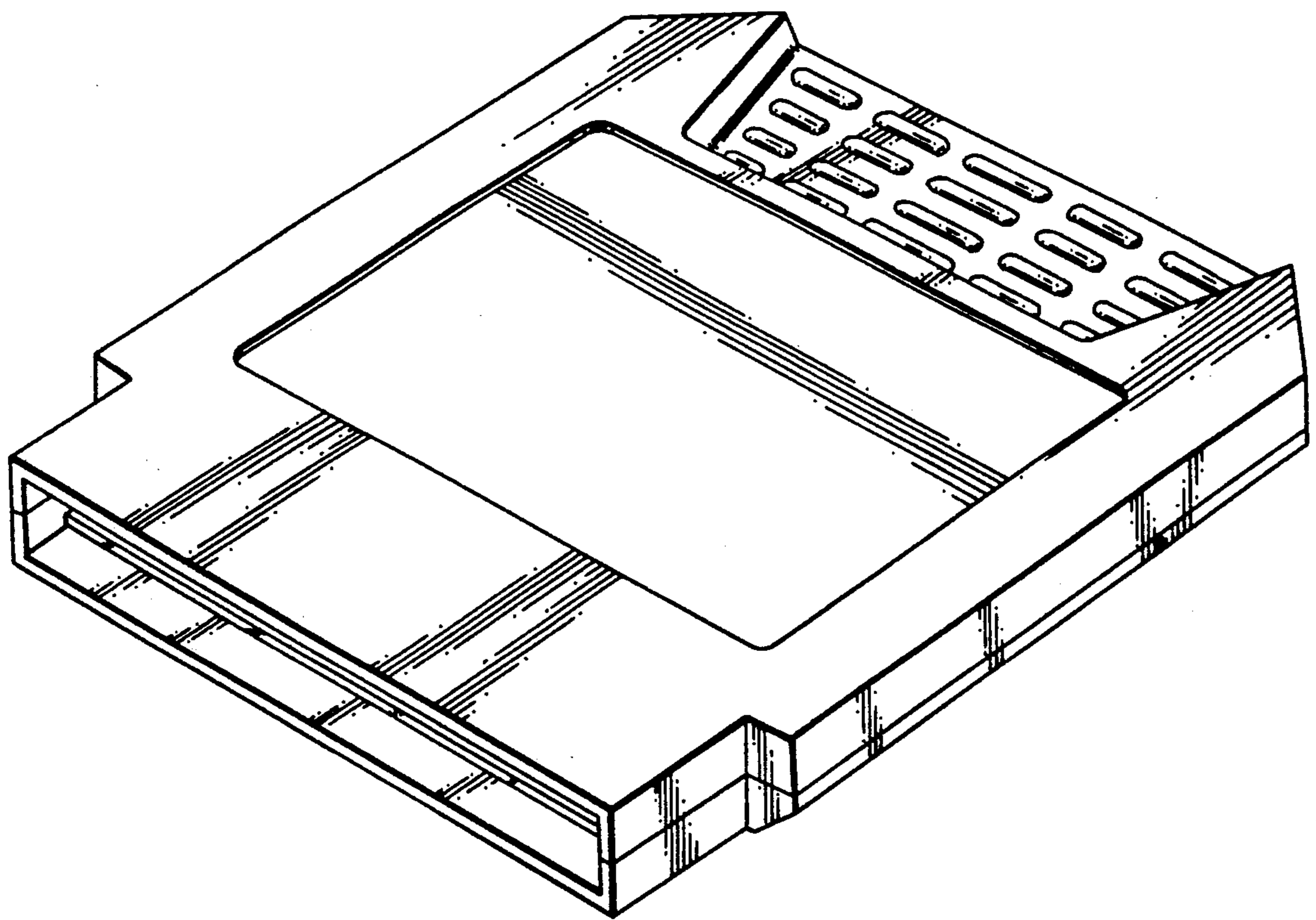


FIG - 1

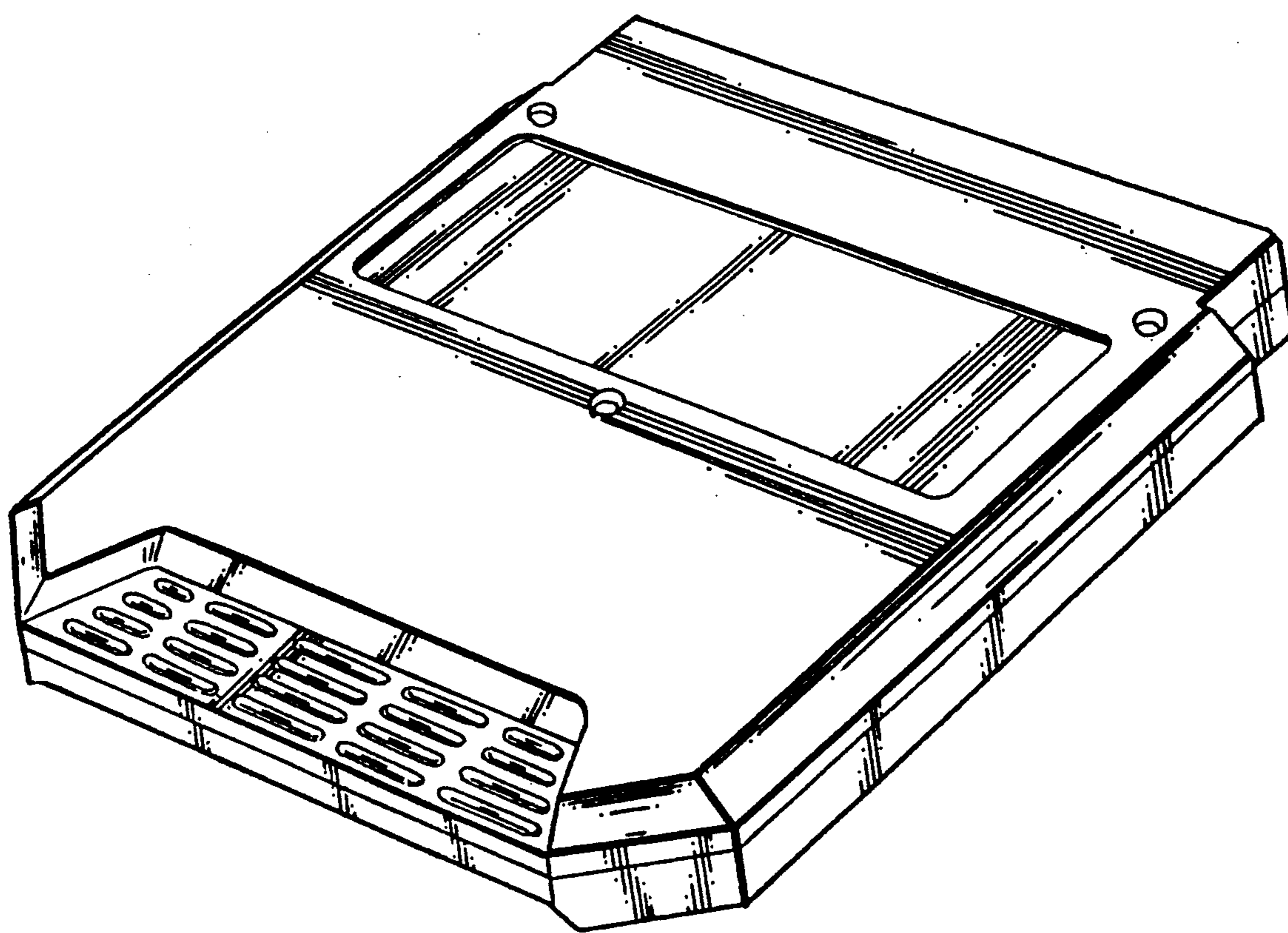


FIG - 2

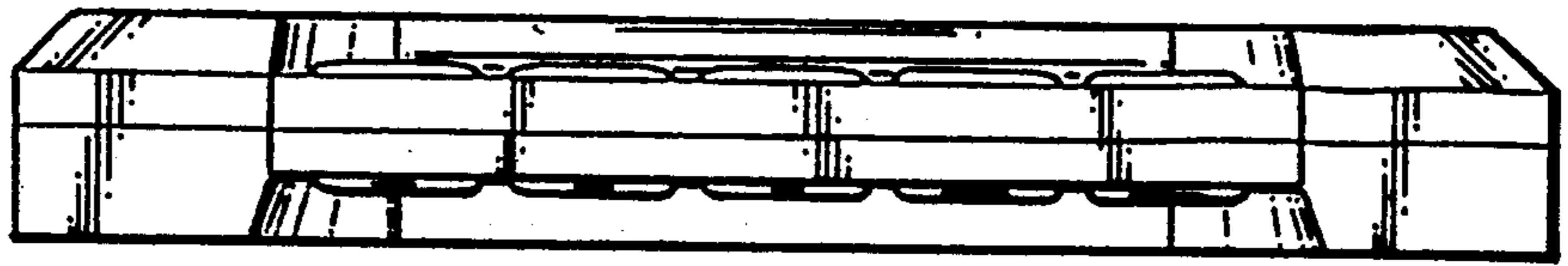


FIG - 3

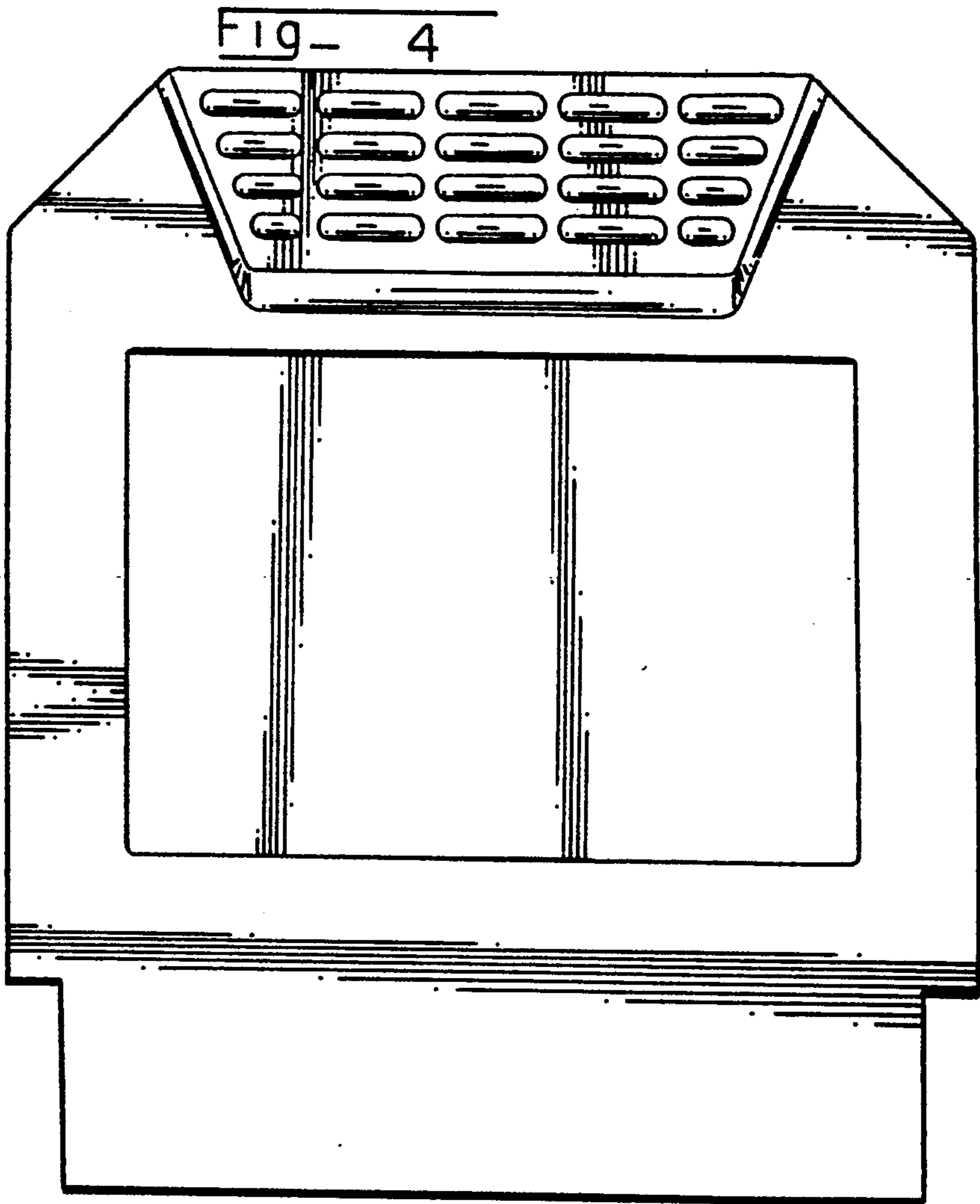


FIG - 4

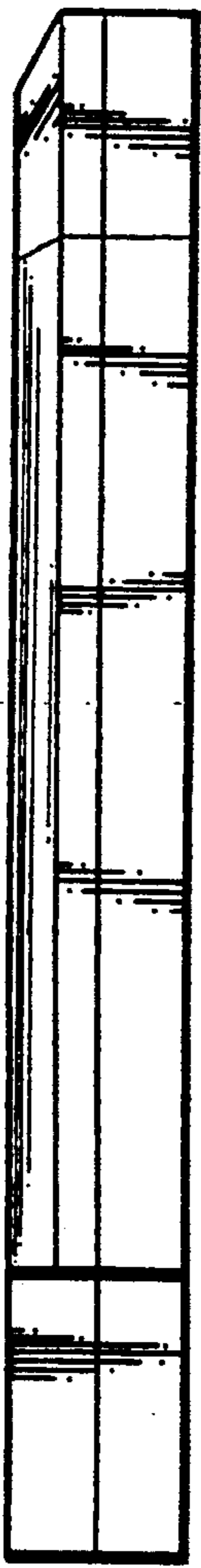


FIG - 6

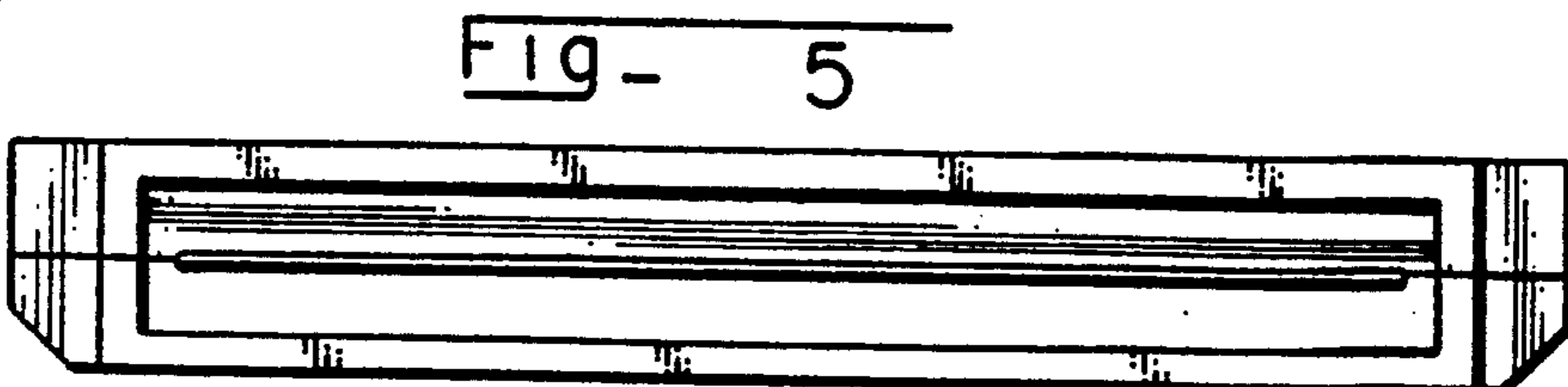


FIG - 5

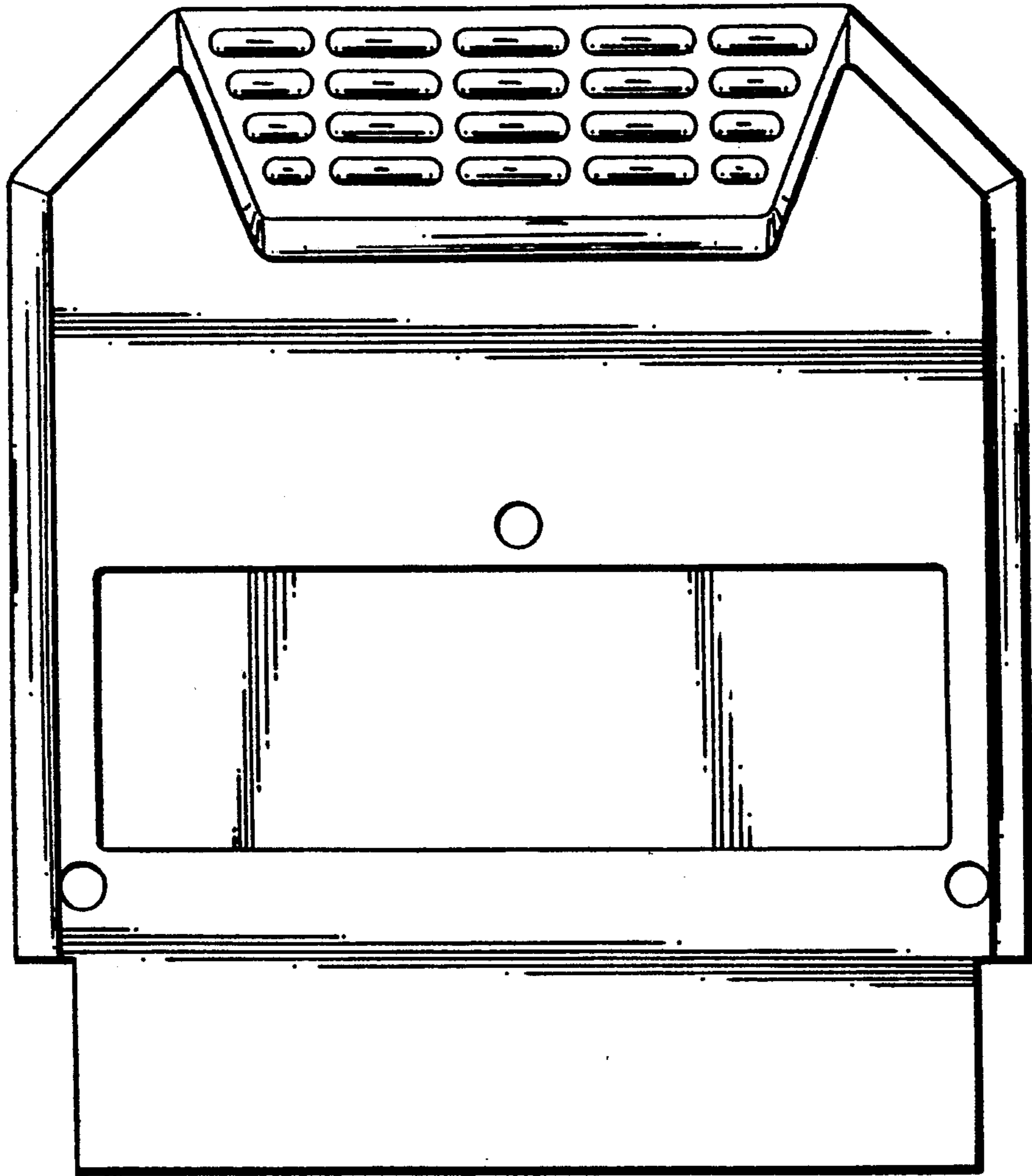


FIG- 7