

[54] **HEAVY DUTY, REMOTELY CONTROLLED  
TIMER SWITCH**

[75] **Inventor: Willis Cheng, Taipei, Taiwan**

[73] **Assignee: Woods Far East, Inc., Taiwan**

[\*\*] **Term: 14 Years**

[21] **Appl. No.: 216,976**

[22] **Filed: Jul. 11, 1988**

[52] **U.S. Cl. .... D13/165; D13/158;  
D13/142**

[58] **Field of Search ..... D13/30, 32, 28, 40,  
D13/99, 138, 139, 165, 158, 142, 184, 199;  
D10/46, 104, 106, 118; 315/159; 200/38 FB, 38  
D; 455/603**

[56] **References Cited**

**U.S. PATENT DOCUMENTS**

- D. 276,150 10/1984 Marshall et al. .... D13/30  
D. 292,697 11/1987 Rauch ..... D13/28 X  
4,297,546 10/1981 Koch ..... 200/38 FB X

**FOREIGN PATENT DOCUMENTS**

- 0141044 8/1983 Japan ..... 455/603  
2154063 8/1985 United Kingdom ..... 200/38 FB

**OTHER PUBLICATIONS**

Timer Socket on p. 80 of *Hong Kong Enterprise*, 11-84.

*Primary Examiner*—Susan J. Lucas  
*Assistant Examiner*—Joel Sincavage  
*Attorney, Agent, or Firm*—Woodard, Emhardt,  
Naughton Moriarty & McNett

[57] **CLAIM**

The ornamental design for a heavy duty, remotely controlled timer switch, as shown and described.

**DESCRIPTION**

FIG. 1 is a front elevational view of a heavy duty, remotely controlled timer switch showing my new design.

FIG. 2 is a right hand side elevational view thereof.

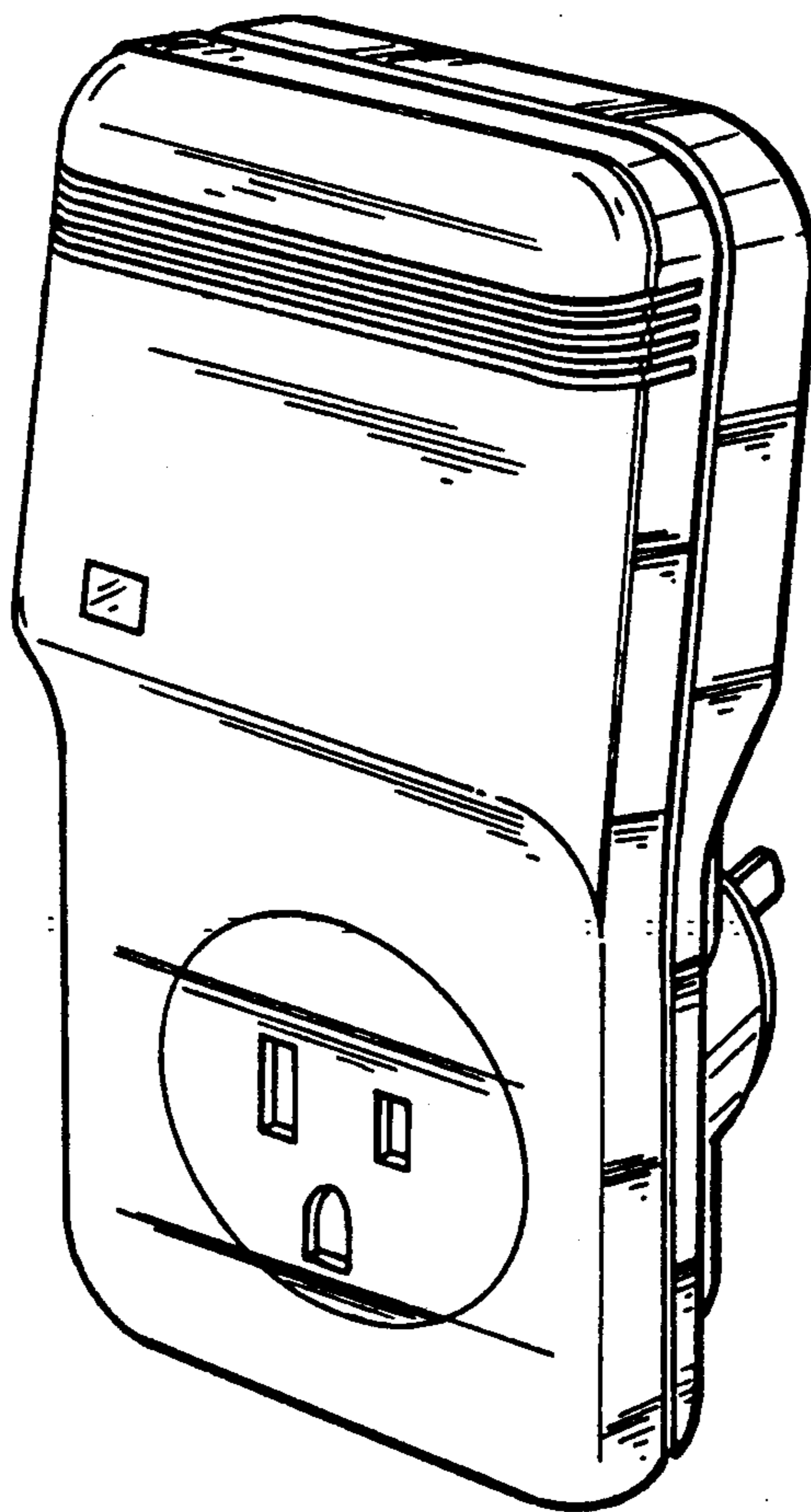
FIG. 3 is a top plan view thereof.

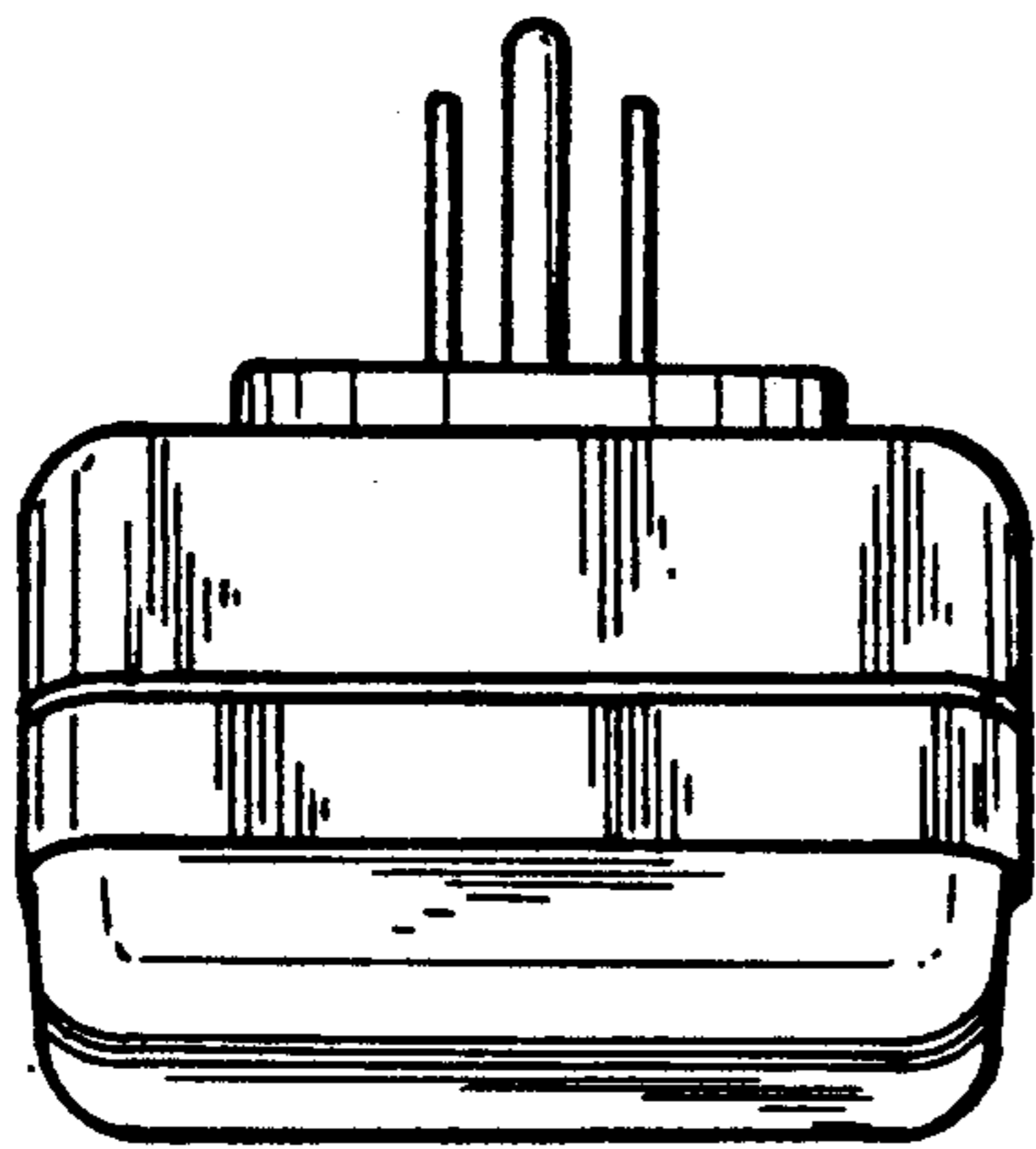
FIG. 4 is a bottom plan view thereof.

FIG. 5 is a left hand side elevational view thereof.

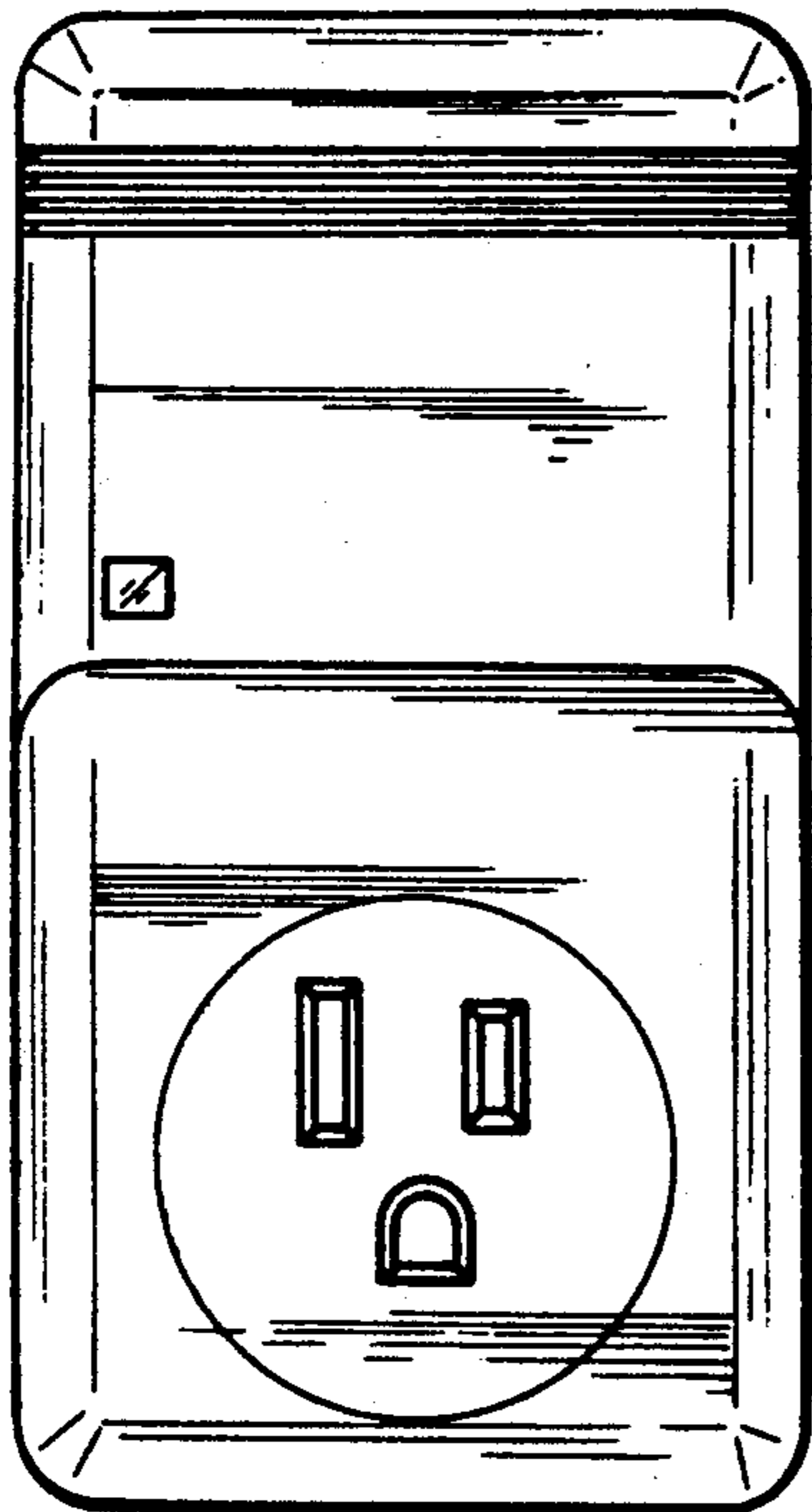
FIG. 6 is a back elevational view thereof.

FIG. 7 is a perspective view thereof.

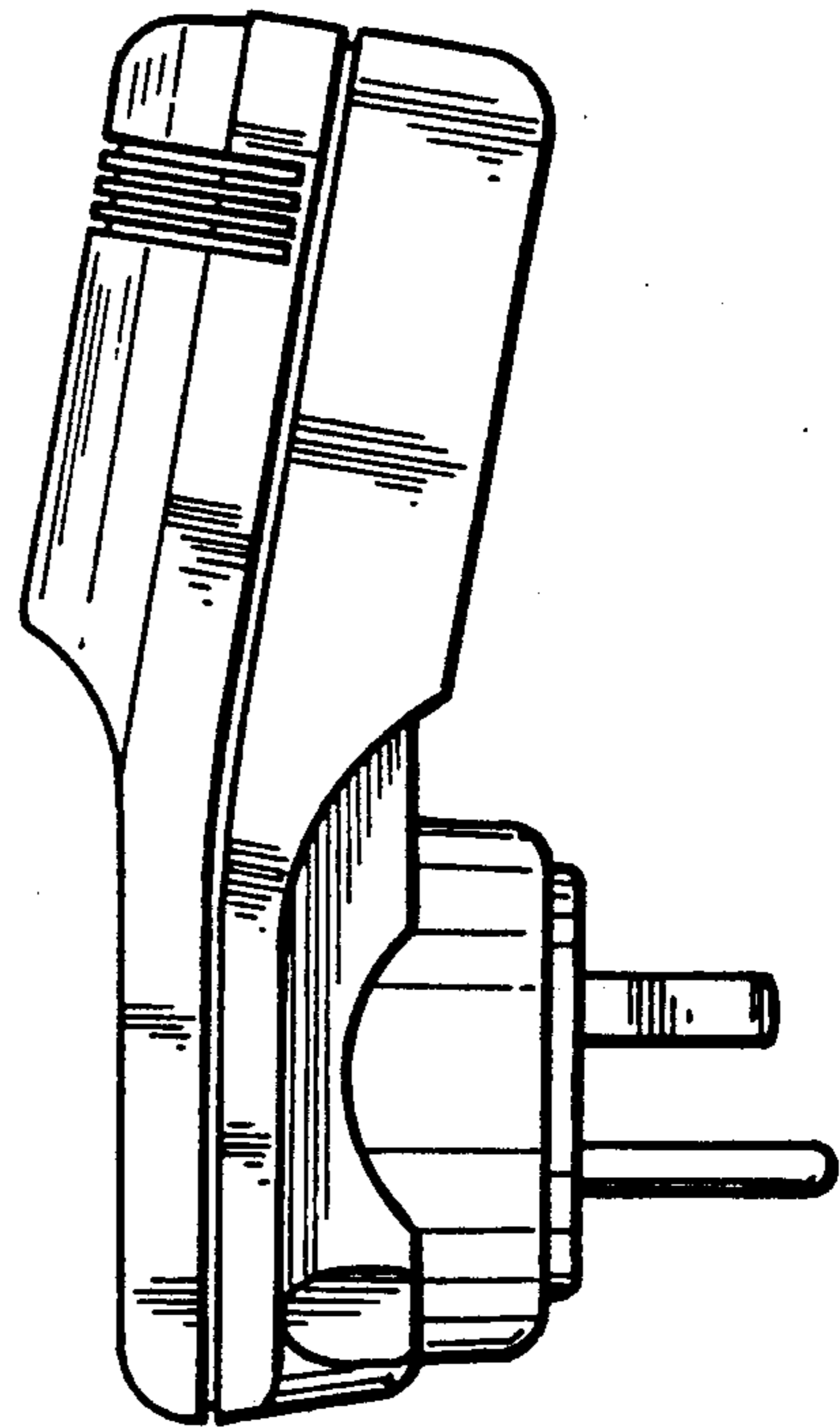




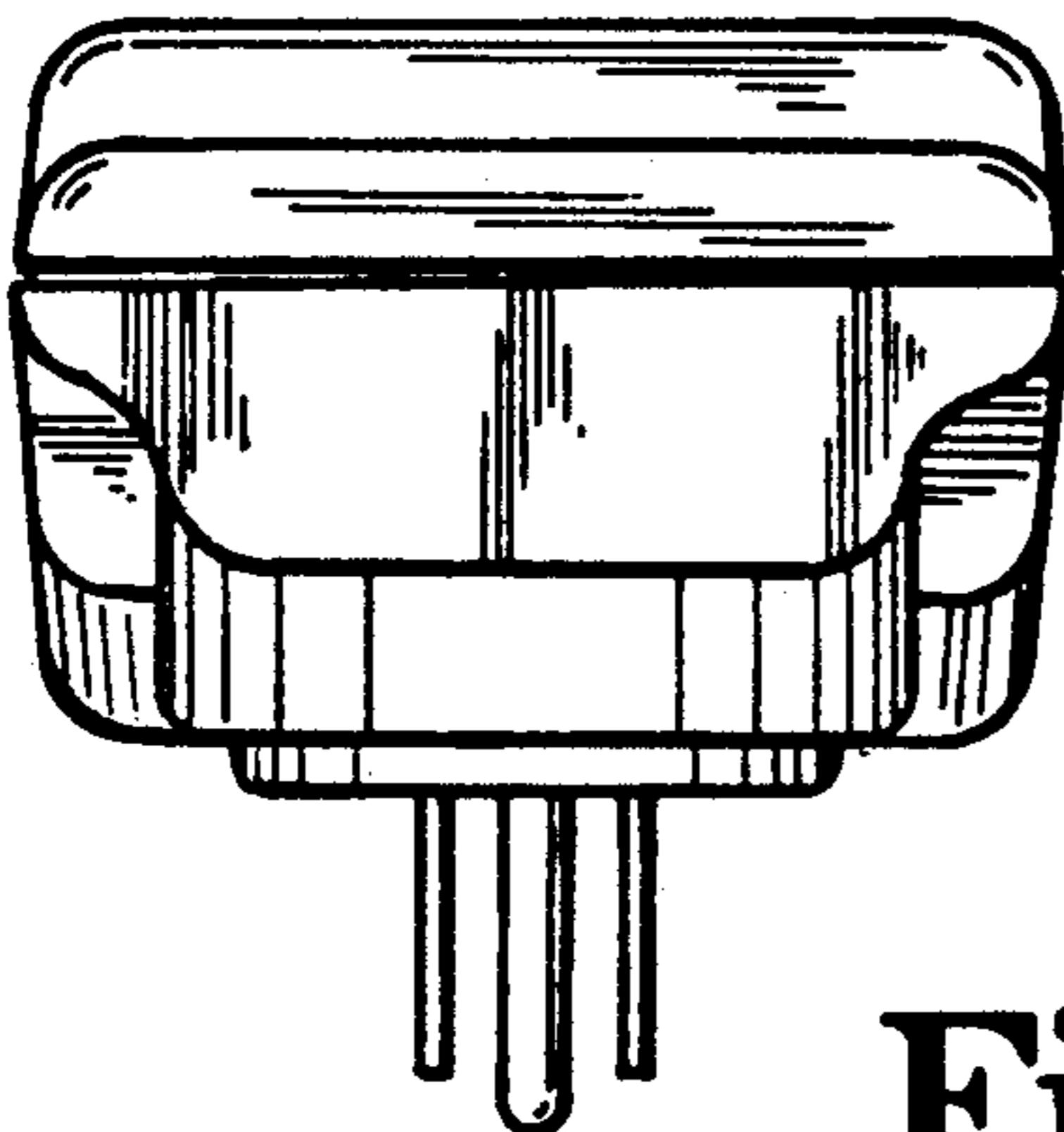
**Fig.3**



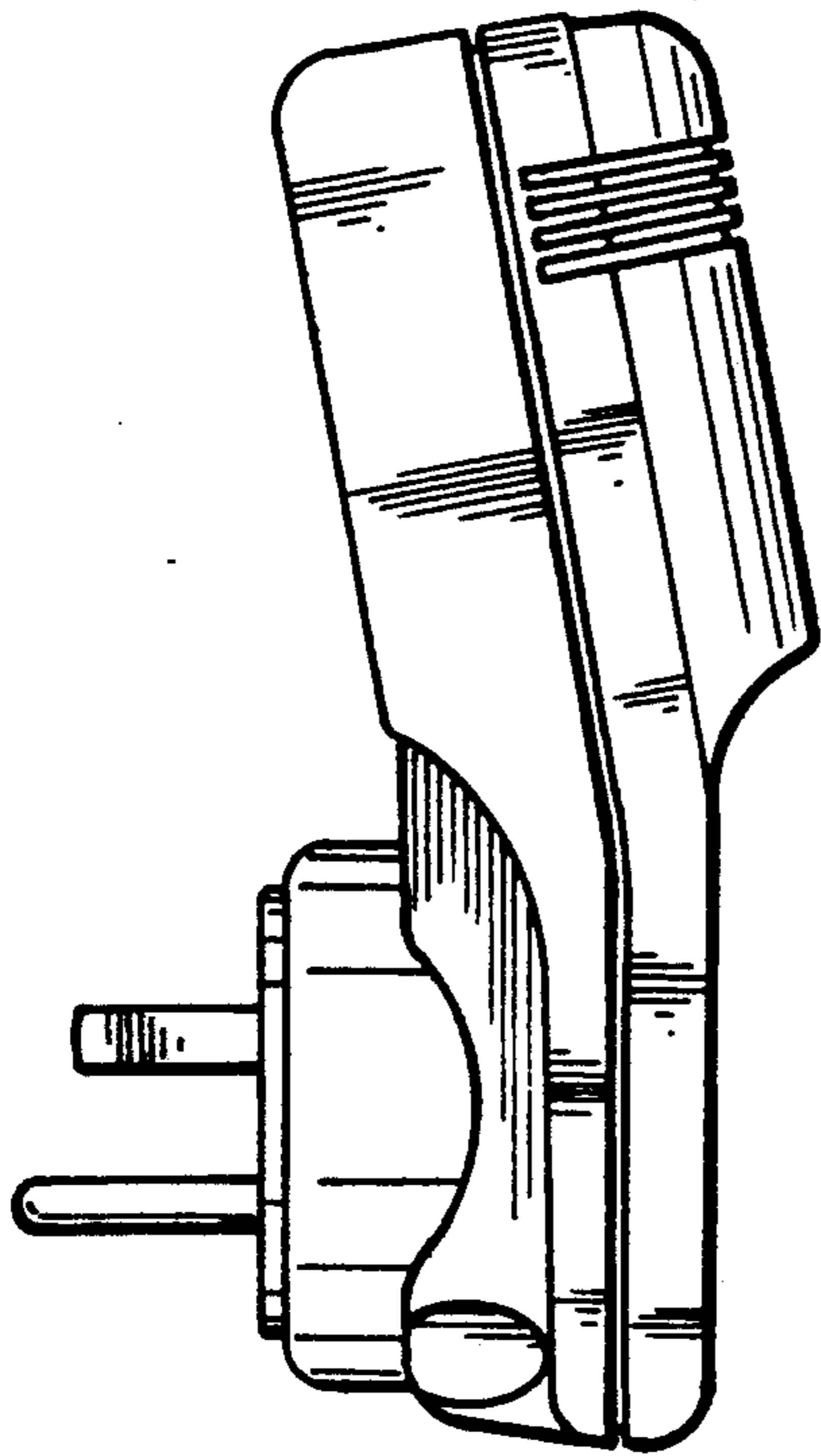
**Fig.1**



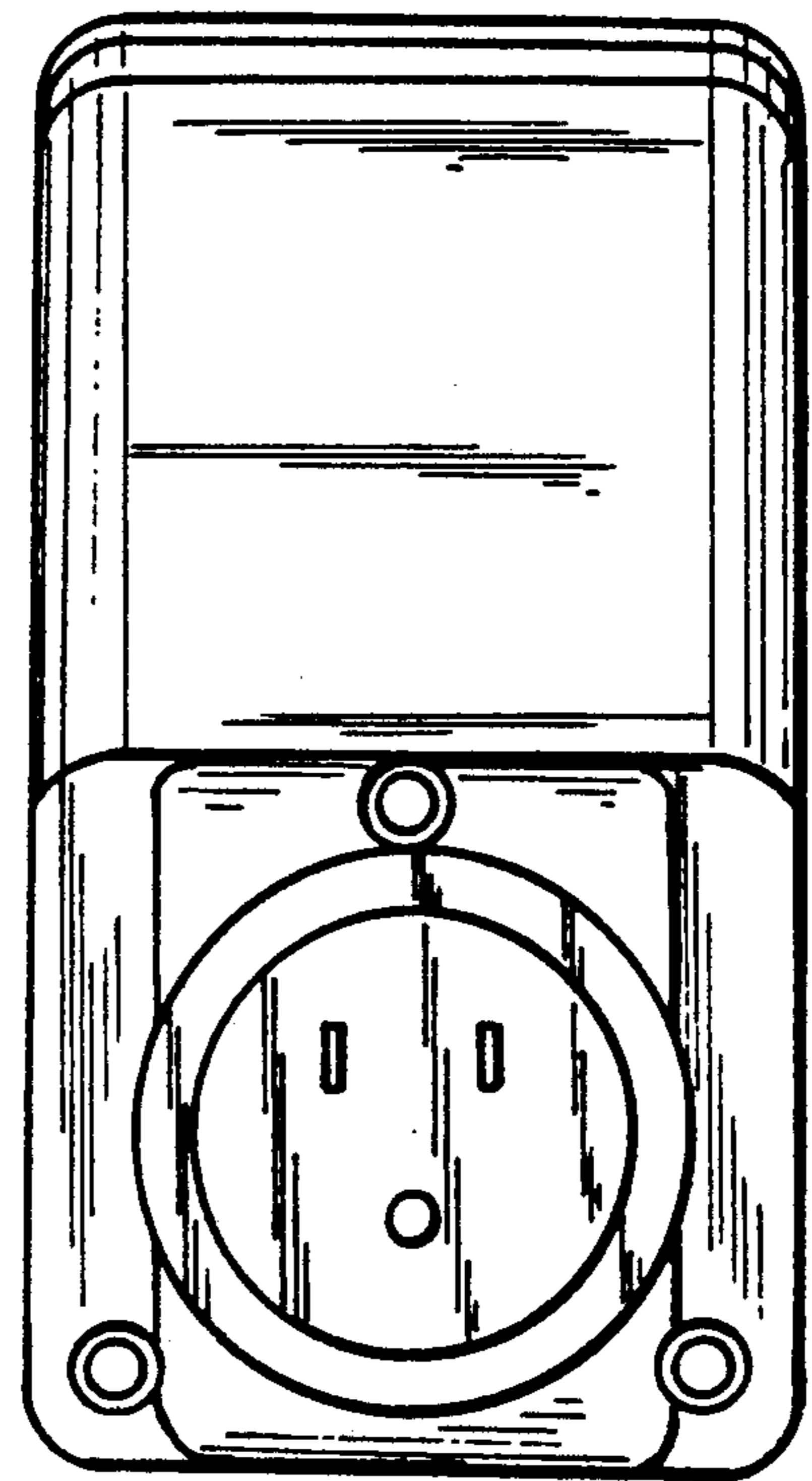
**Fig.2**



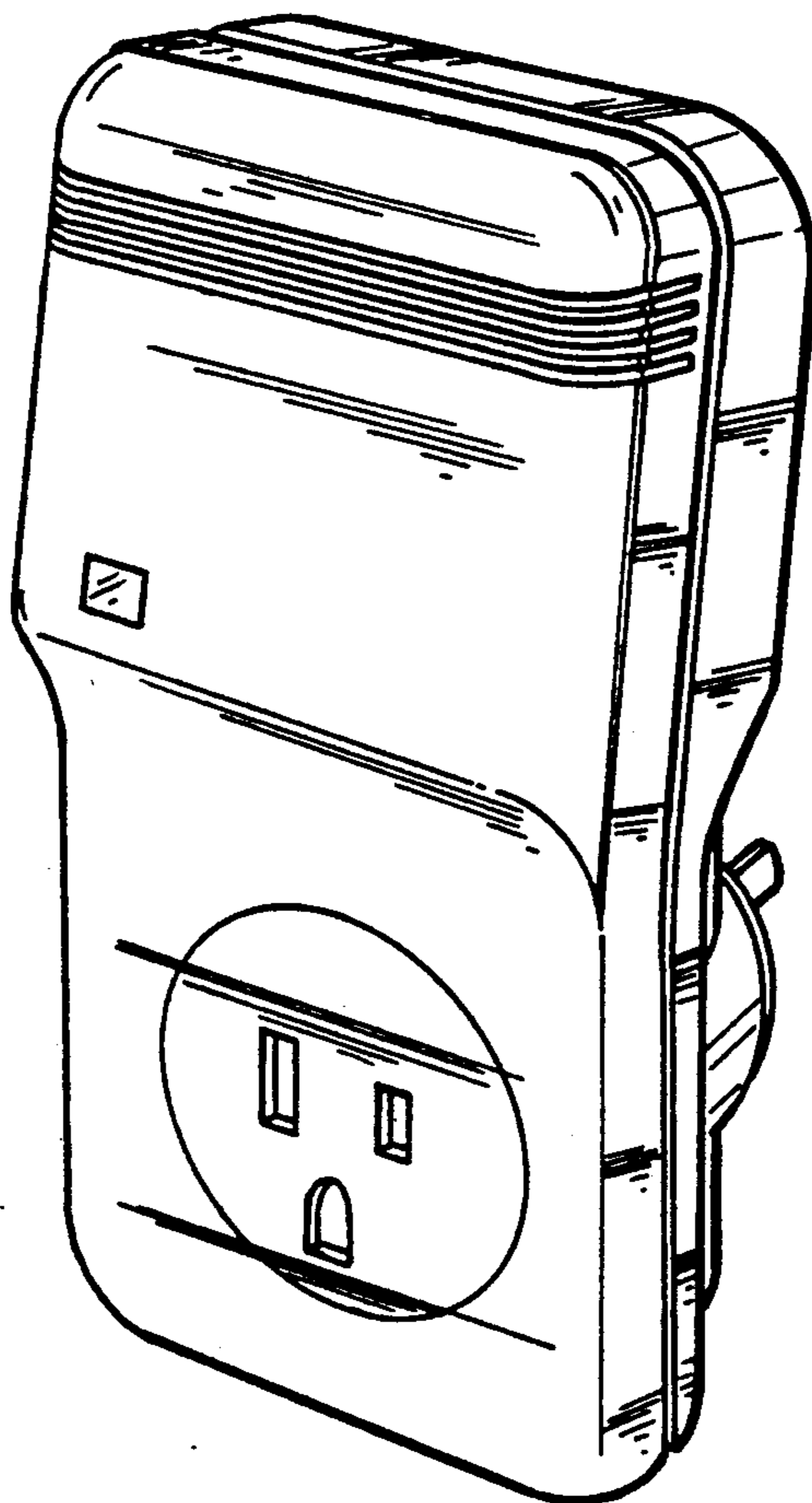
**Fig.4**



**Fig. 5**



**Fig. 6**



**Fig. 7**