

United States Patent [19]

Jacobs

[11] Patent Number: Des. 315,885

[45] Date of Patent: ** Apr. 2, 1991

[54] INFANT STROLLER

[75] Inventor: Richard H. Jacobs, Roseville, Minn.

[73] Assignee: Tri Industries, Inc., Hopkins, Minn.

[**] Term: 14 Years

[21] Appl. No.: 441,933

[22] Filed: Nov. 27, 1989

[52] U.S. Cl. D12/129

[58] Field of Search D12/129, 128; 280/644,
280/658, 650, 62, 47.38, 644; D34/17, 18

Primary Examiner—Kay H. Chin

Attorney, Agent, or Firm—Paul L. Sjoquist

[57] CLAIM

The ornamental design for an infant stroller, as shown and described.

DESCRIPTION

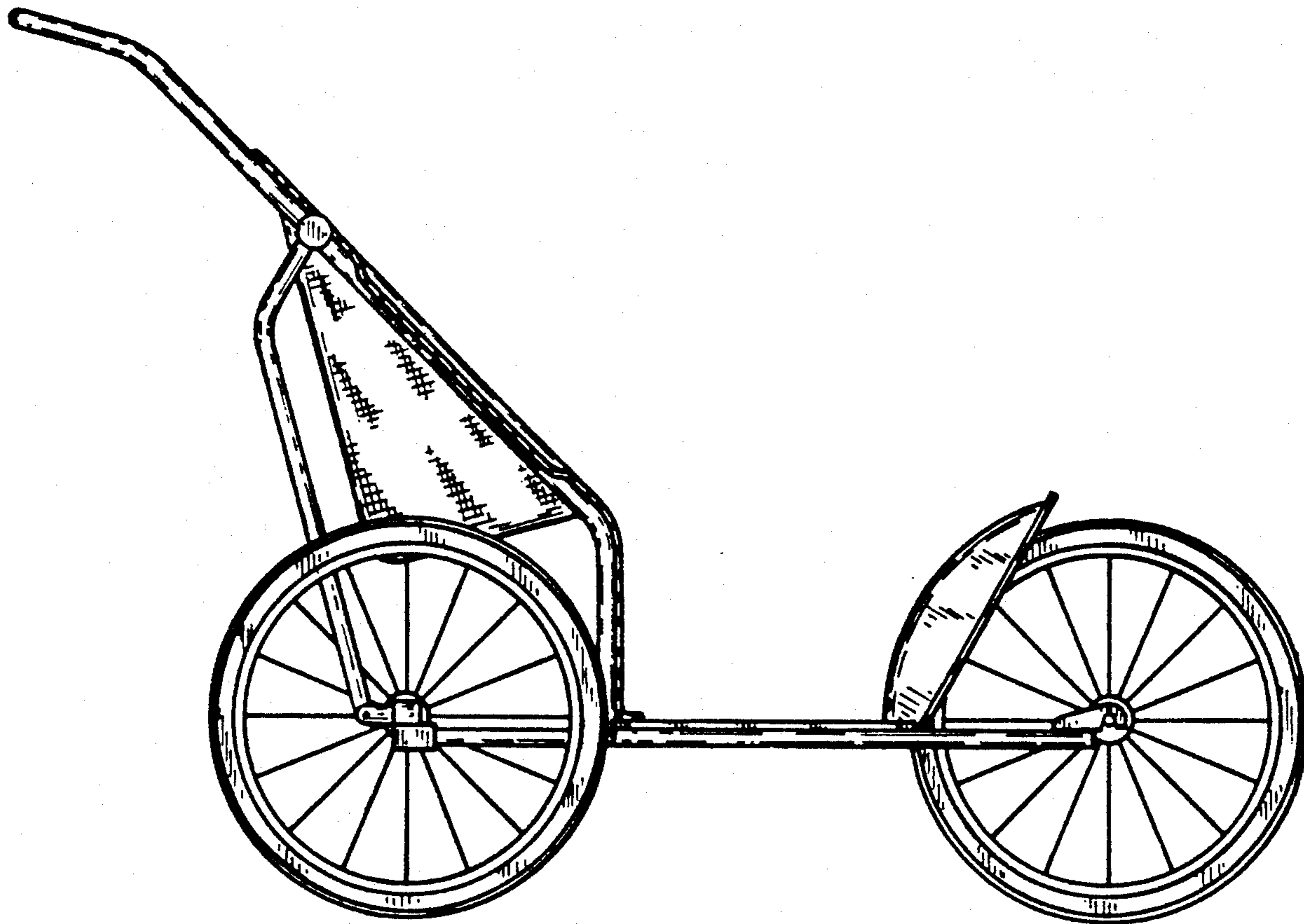
FIG. 1 is a right side view of the stroller showing my new design; the left side view being a mirror image thereof;

FIG. 2 is a top plan view thereof;

FIG. 3 is a bottom view thereof;

FIG. 4 is a front elevational view thereof; and

FIG. 5 is a rear elevational view thereof.



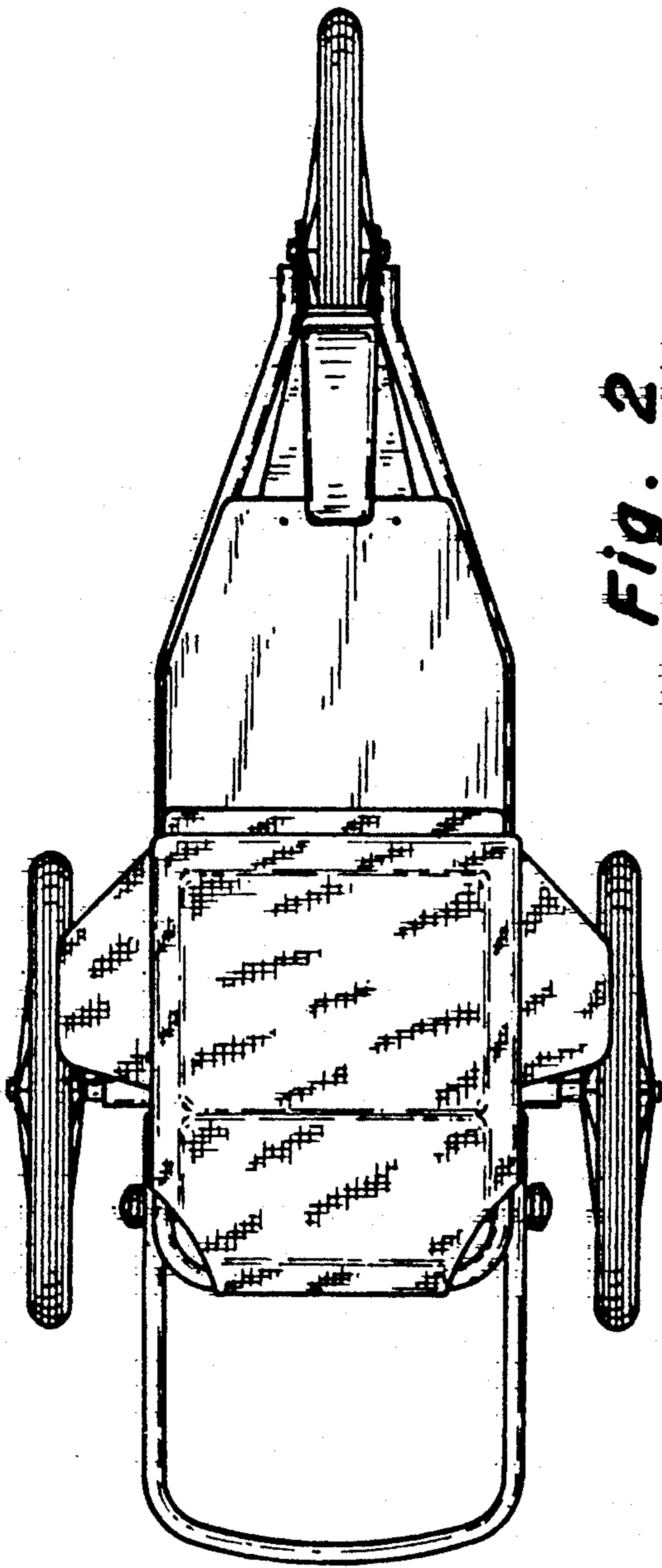


Fig. 2

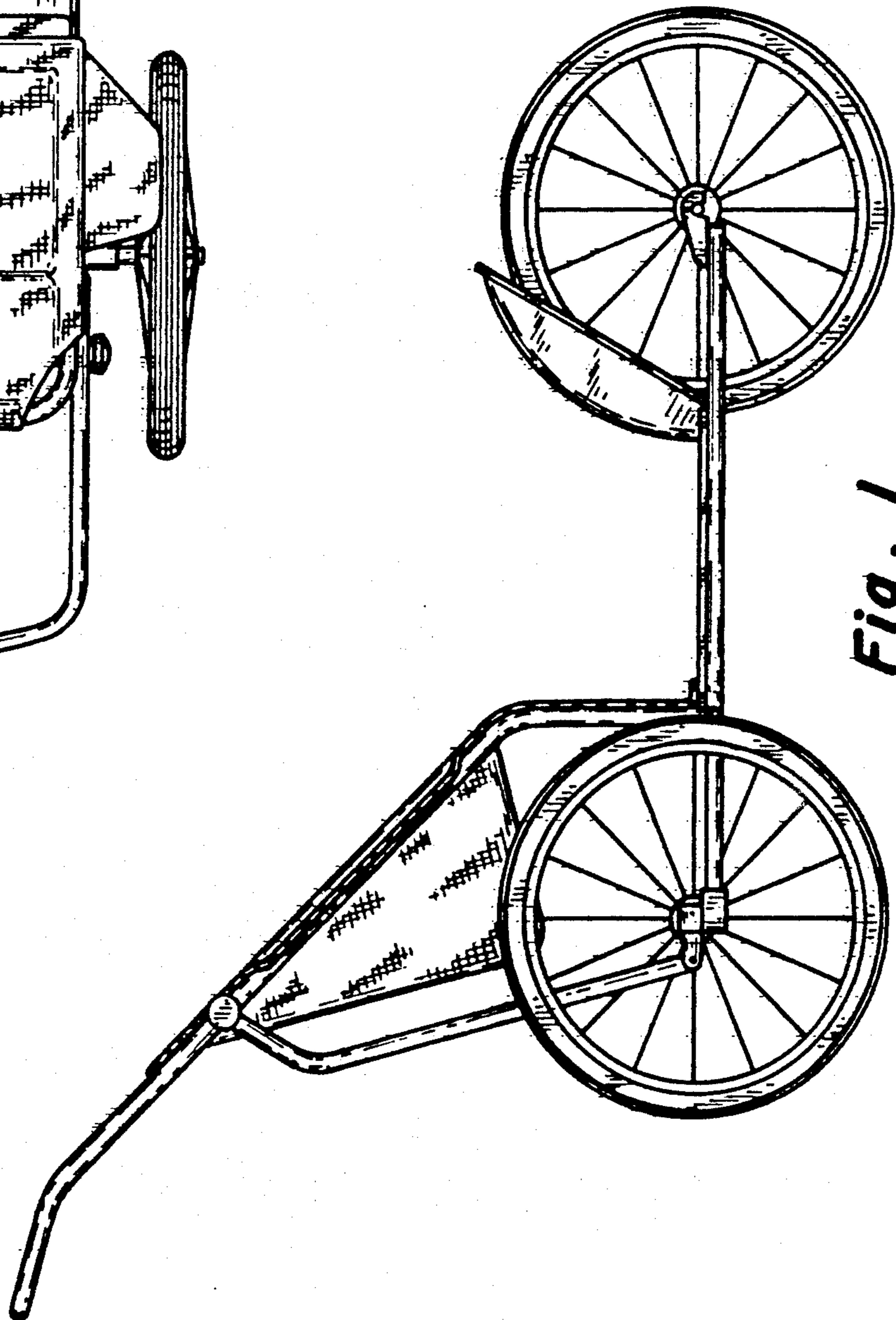


Fig. 1

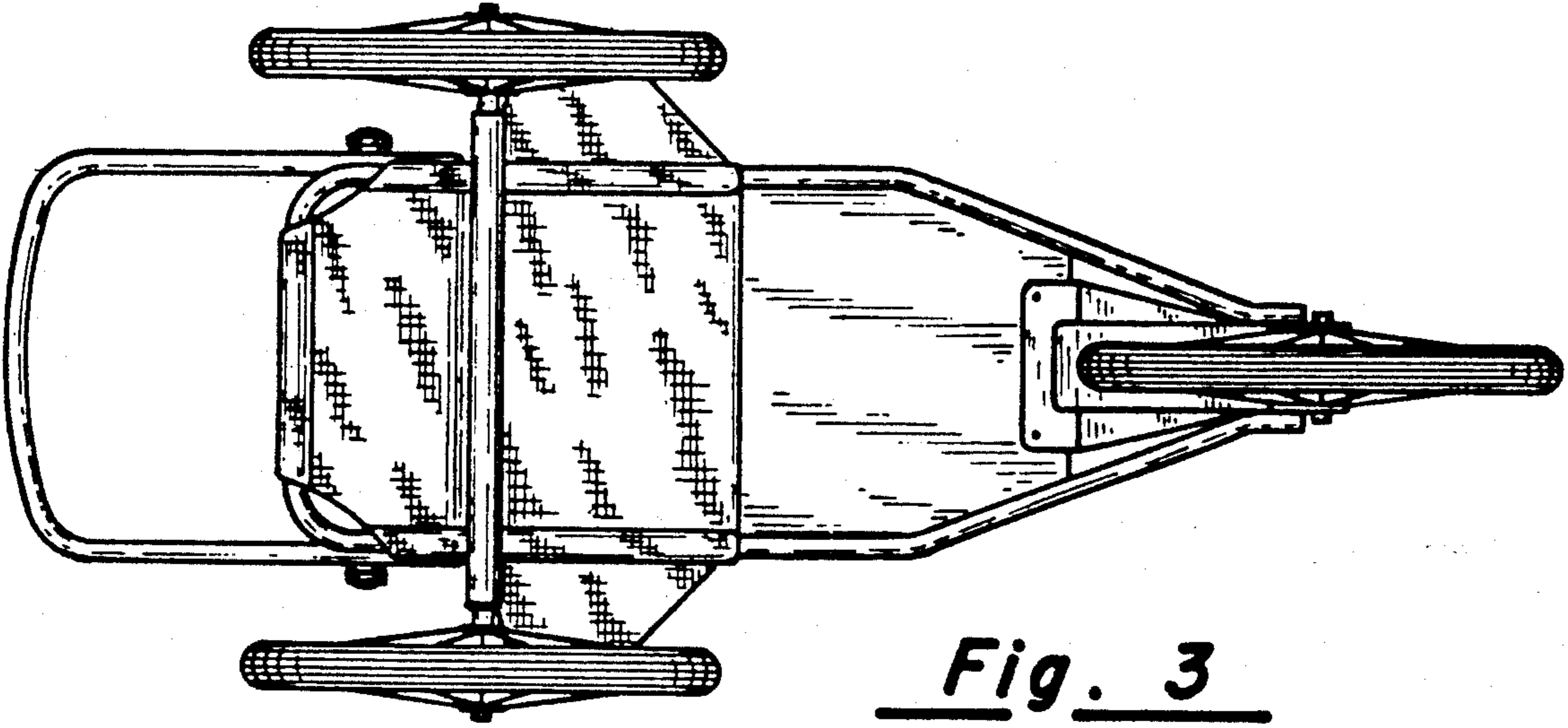


Fig. 3

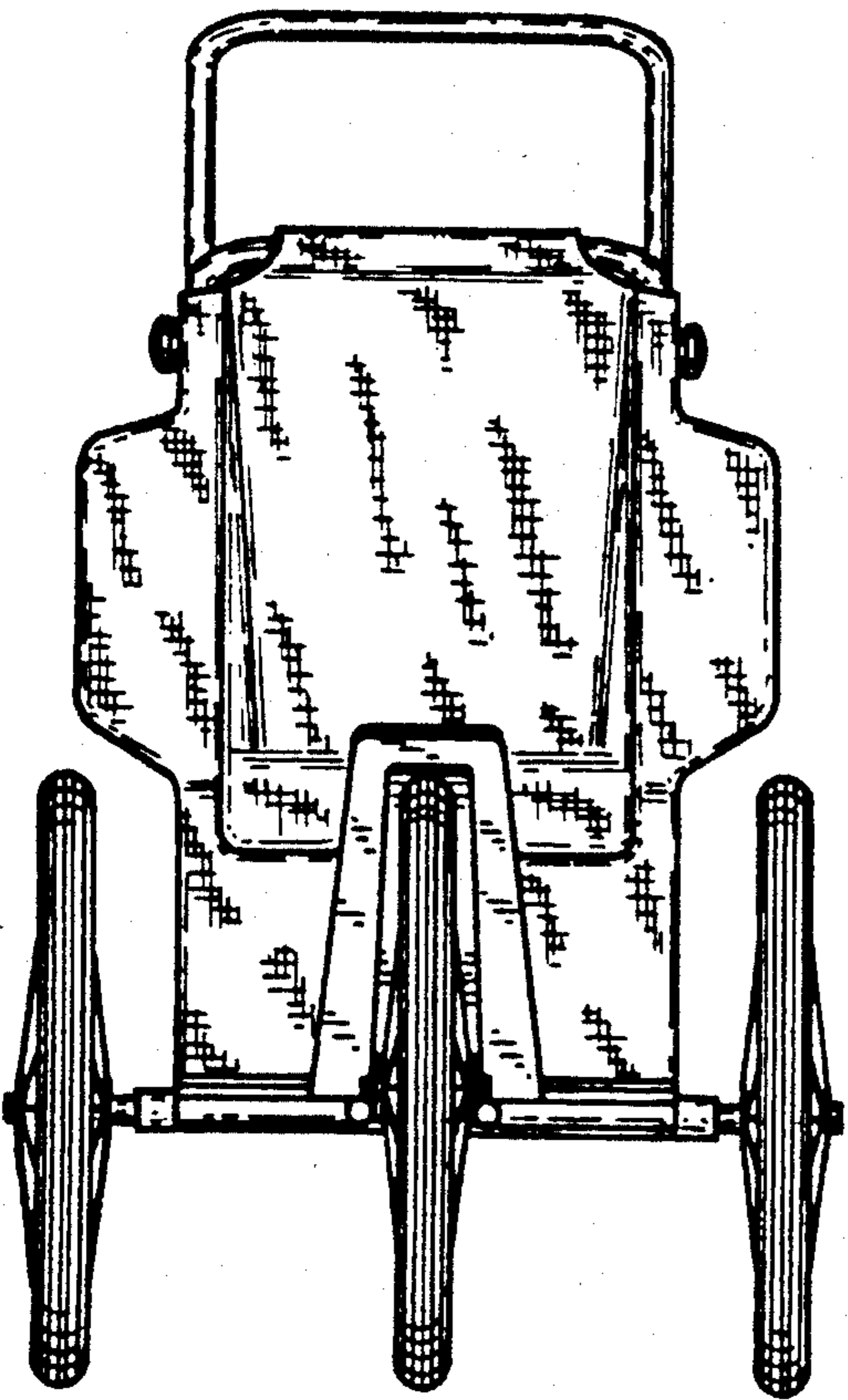


Fig. 4

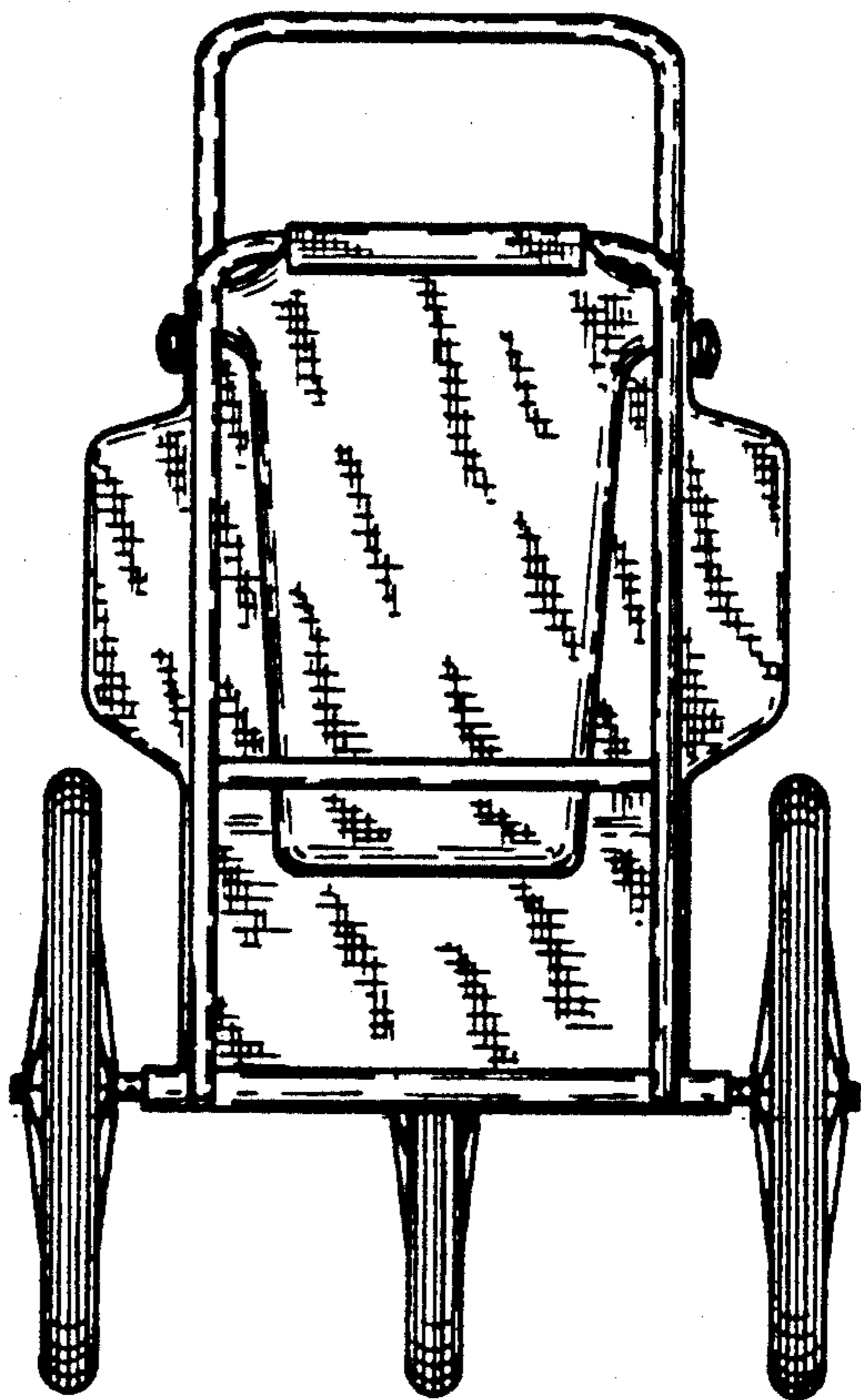


Fig. 5