

[54] VERTICAL SUPPORTER FOR CHILD OR THE LIKE

[75] Inventor: Mac L'Dean Baker, Bakersfield, Calif.

[73] Assignee: Mobility Options Research Foundation, Bakersfield, Calif.

[\*\*] Term: 14 Years

[21] Appl. No.: 96,835

[22] Filed: Sep. 14, 1987

[52] U.S. Cl. .... D12/128; D12/131; D34/17

[58] Field of Search ..... D12/128, 130, 131; 280/250.1, 242.1; D34/24, 26

[56] References Cited

U.S. PATENT DOCUMENTS

2,295,006 9/1942 Philips ..... 280/250.1  
4,515,383 5/1985 Minnebraker ..... 280/250.1

4,620,714 11/1986 Davis ..... 280/250.1  
4,744,578 5/1988 Stearns ..... 280/250.1  
4,779,881 10/1988 Baker ..... 280/242.1  
4,834,411 5/1989 Willey et al. .... 280/250.1

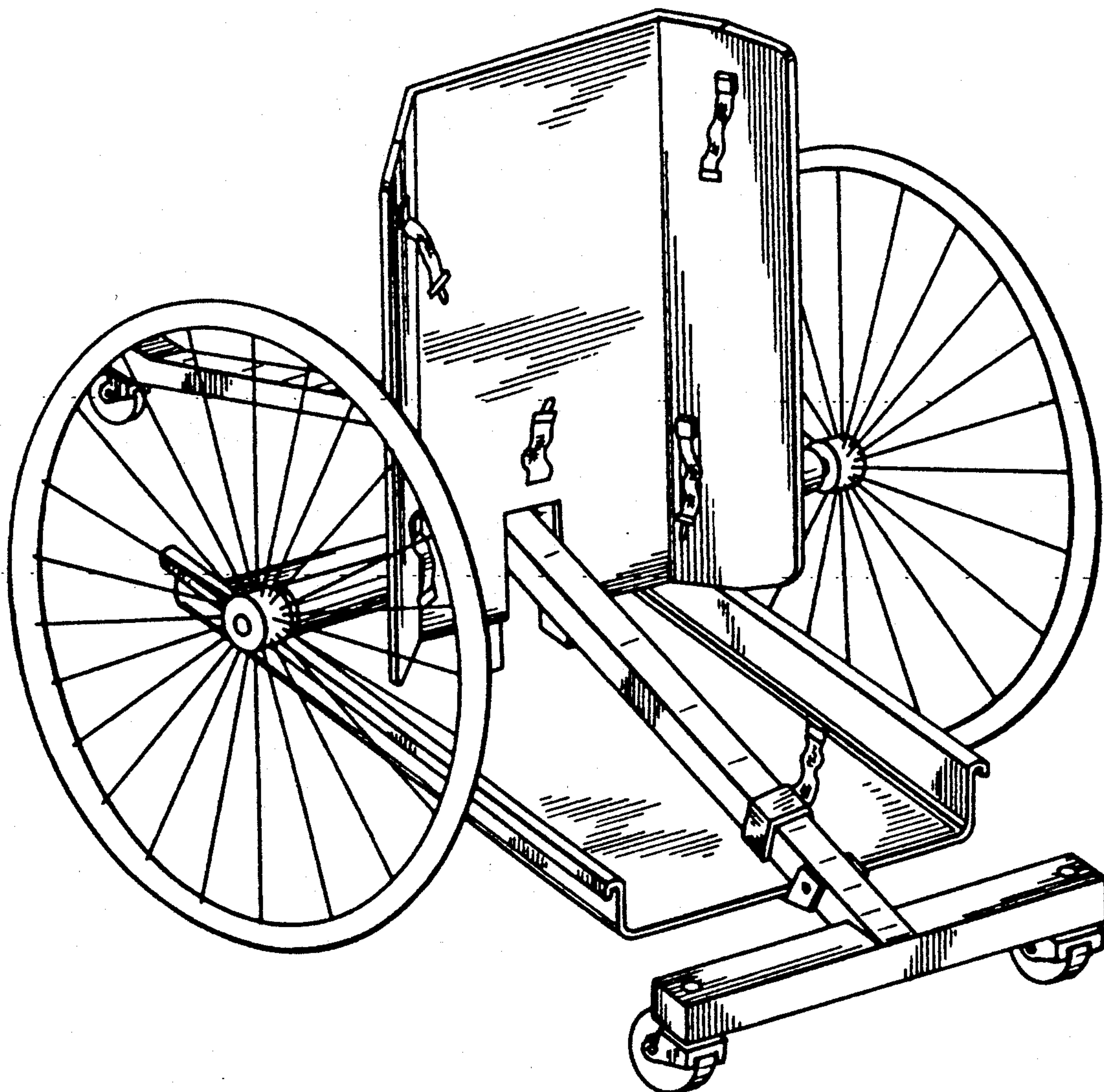
Primary Examiner—Kay H. Chin  
Attorney, Agent, or Firm—Daniel J. Meaney, Jr.

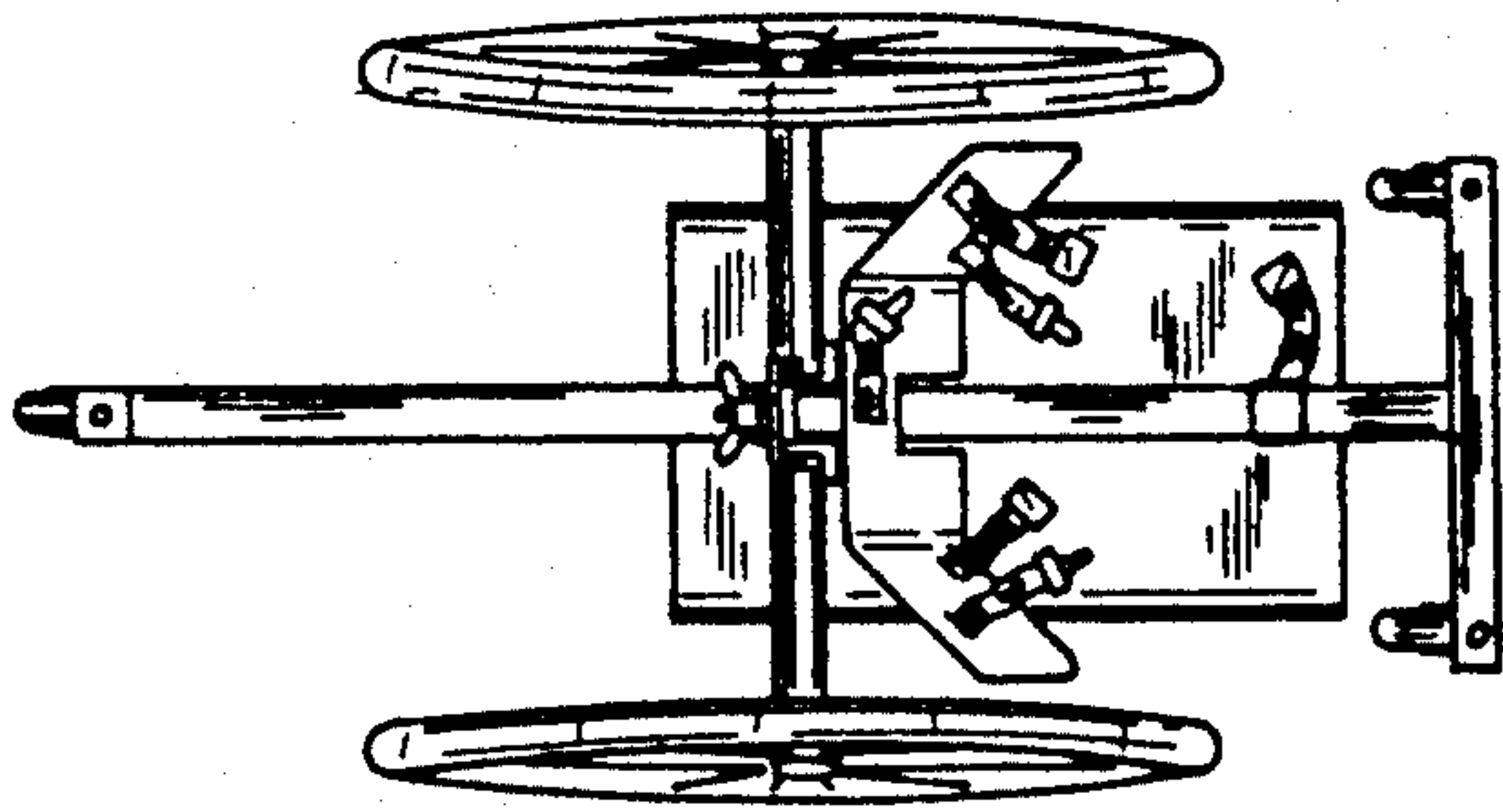
[57] CLAIM

The ornamental design for a vertical supporter for child or the like, as shown and described.

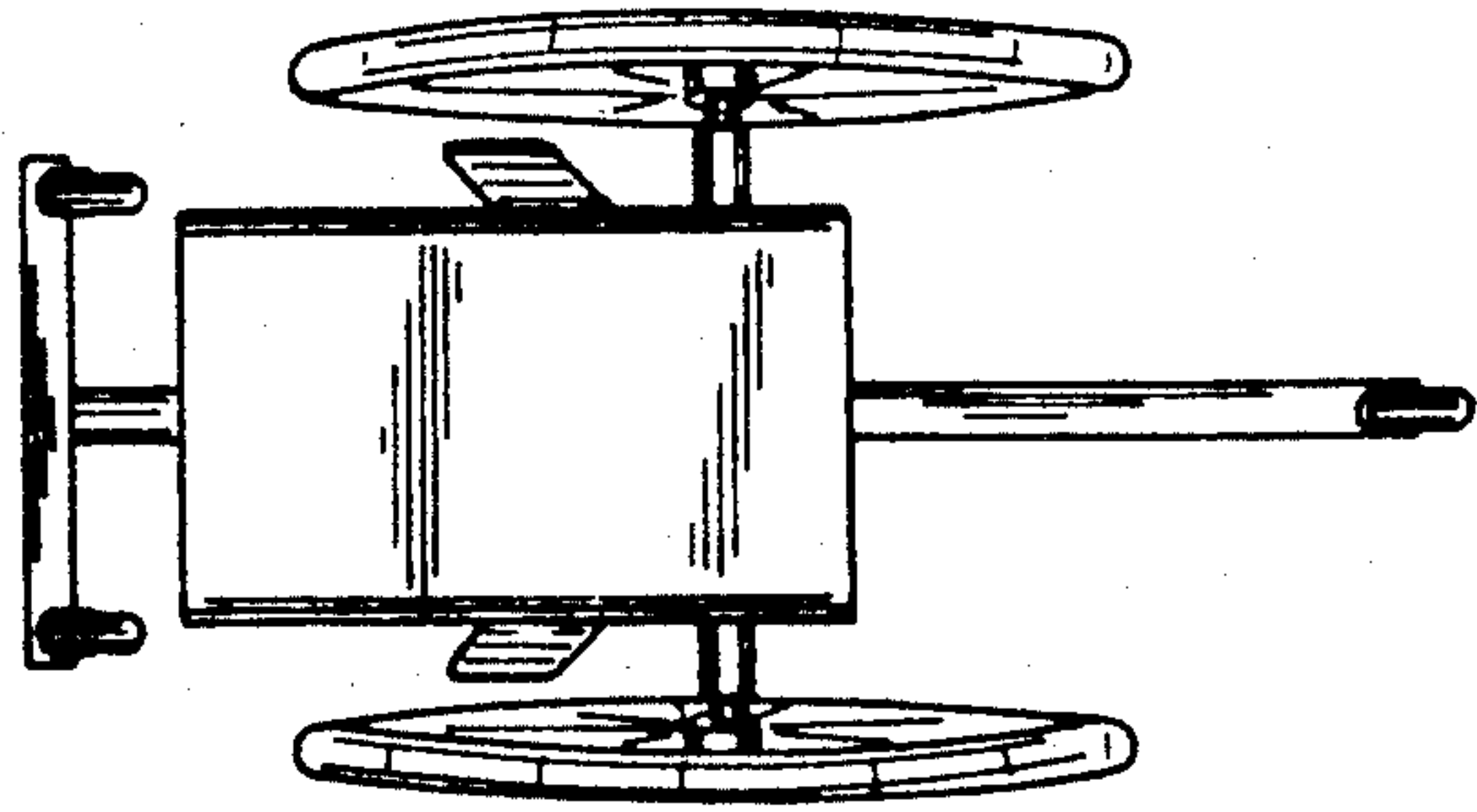
DESCRIPTION

FIG. 1 is a top plan view of a vertical supporter for child or the like showing my new design;  
FIG. 2 is a bottom plan view thereof;  
FIG. 3 is a right side elevational view thereof;  
FIG. 4 is a left side elevational view thereof;  
FIG. 5 is a front elevational view thereof;  
FIG. 6 is a rear elevational view thereof;  
FIG. 7 is an enlarged front perspective view thereof; and  
FIG. 8 is an enlarged rear perspective view thereof.

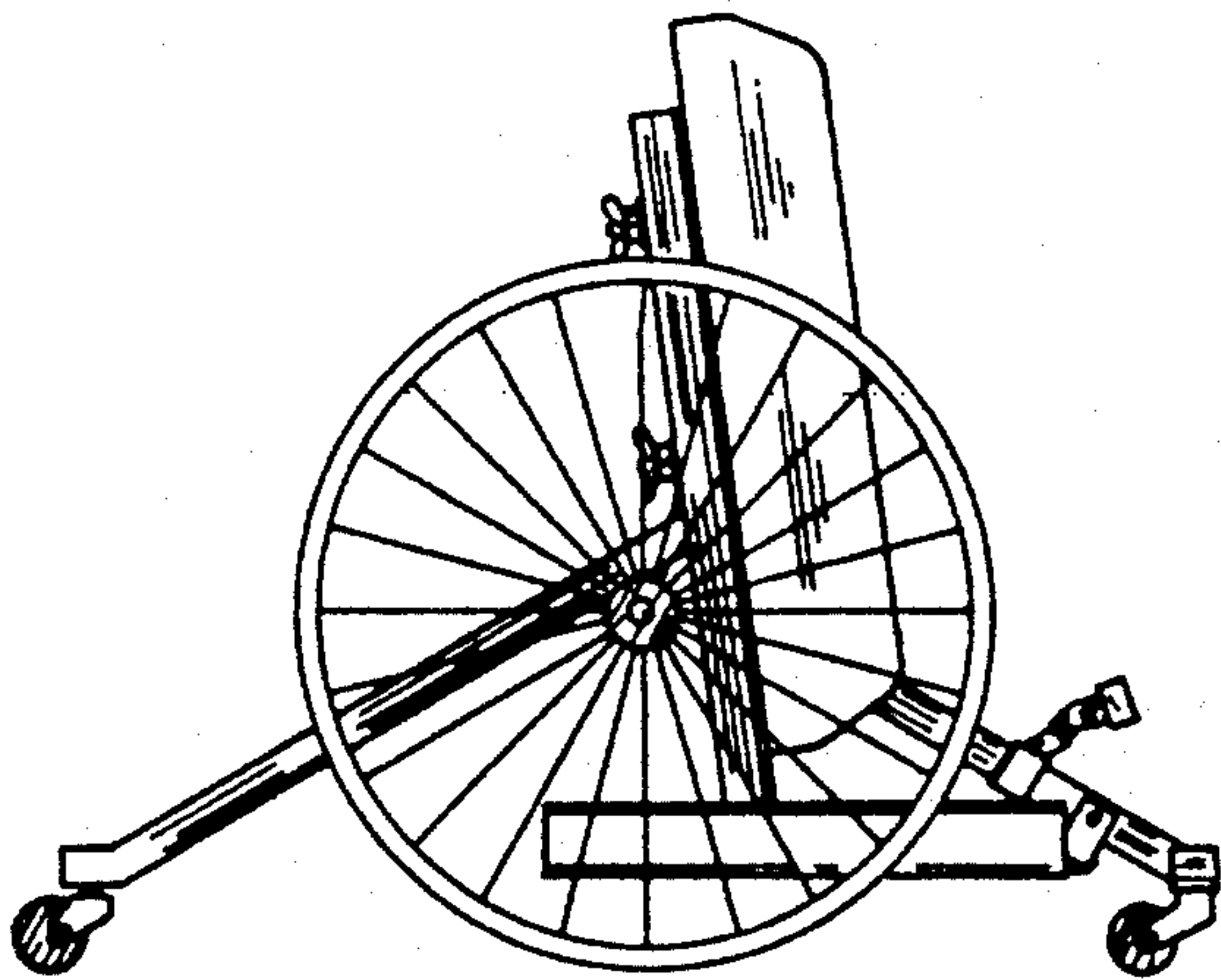




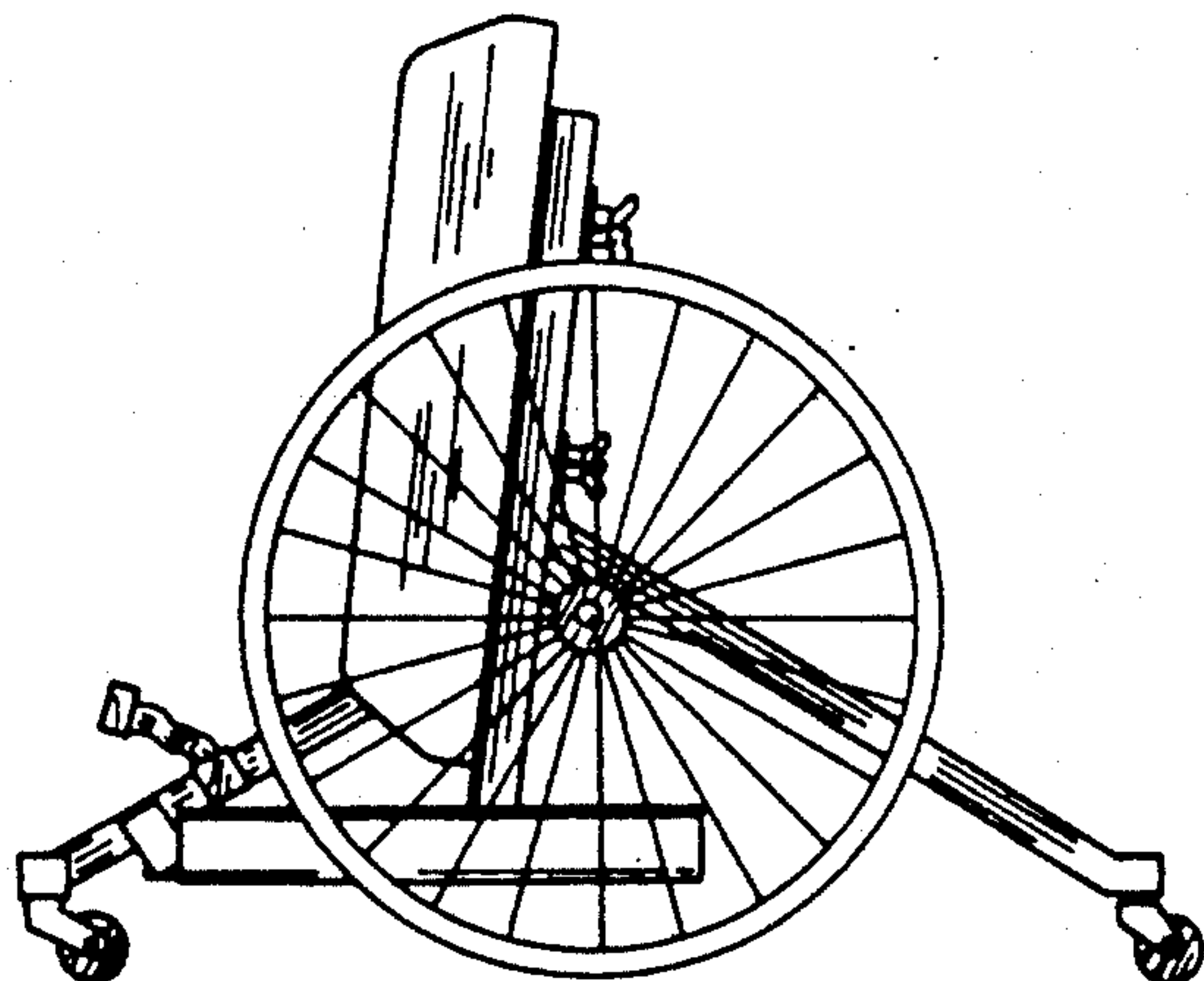
*Fig 1*



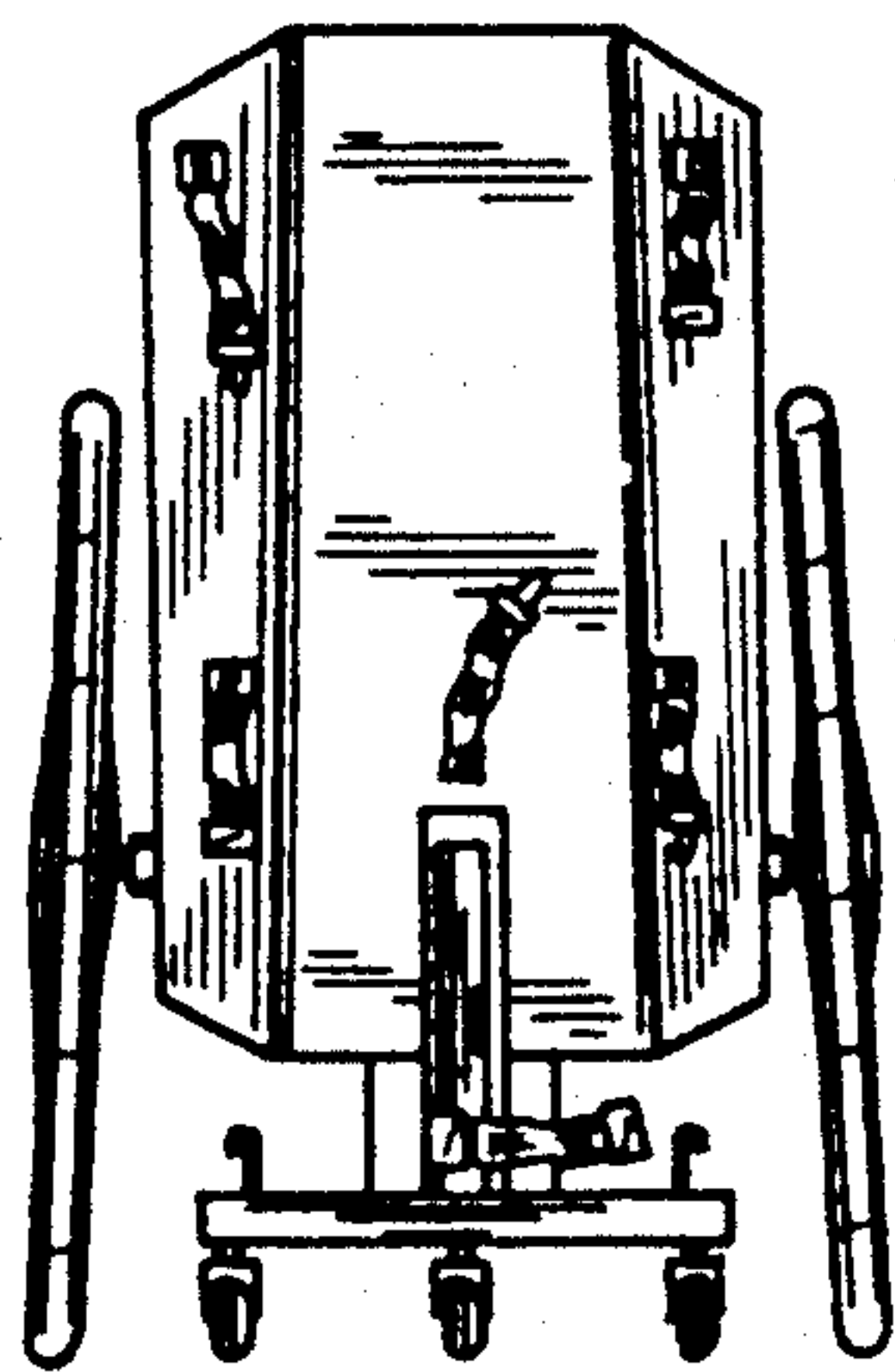
*Fig 2*



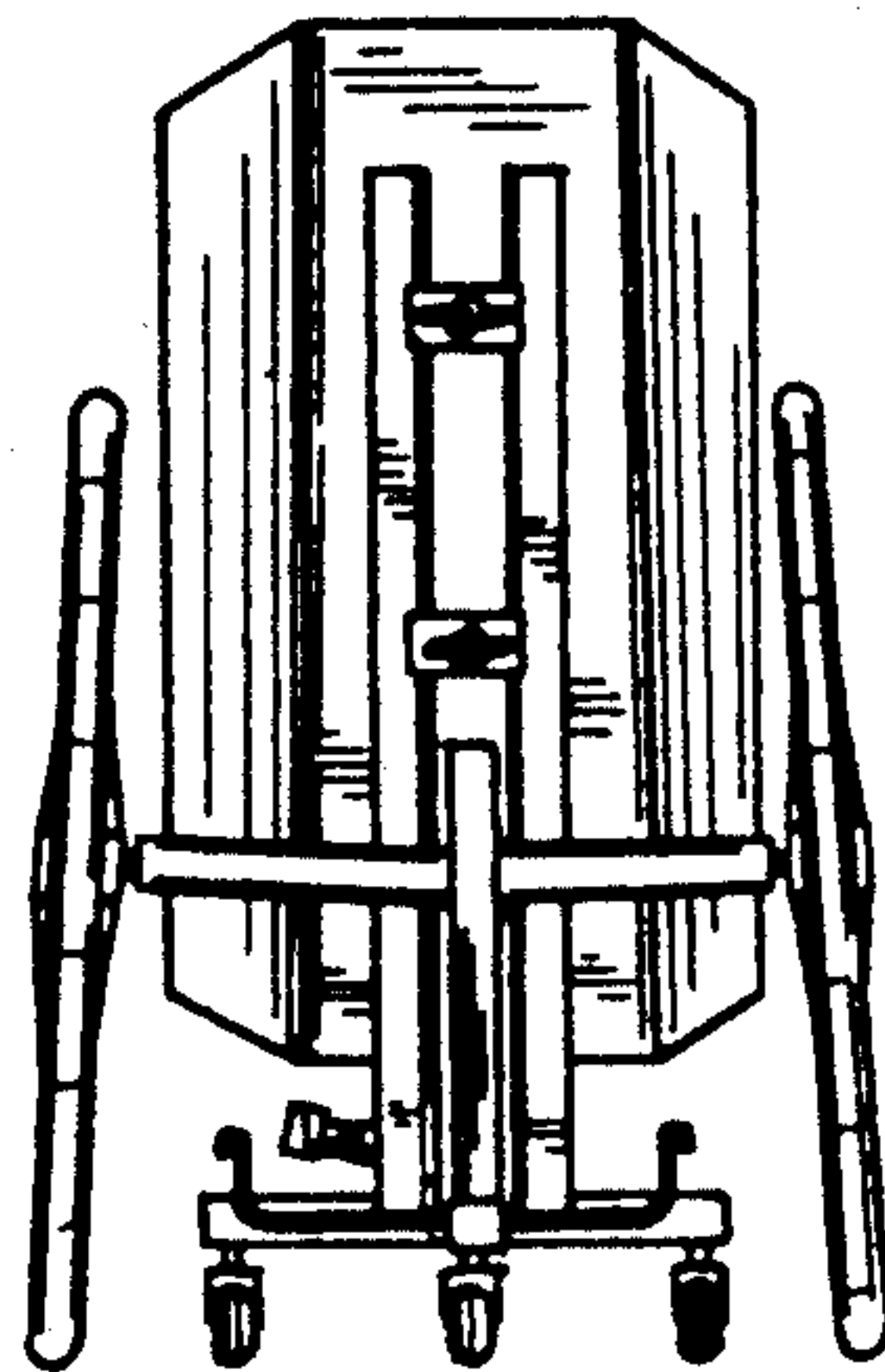
*Fig 3*



*Fig 4*



*Fig 5*



*Fig 6*



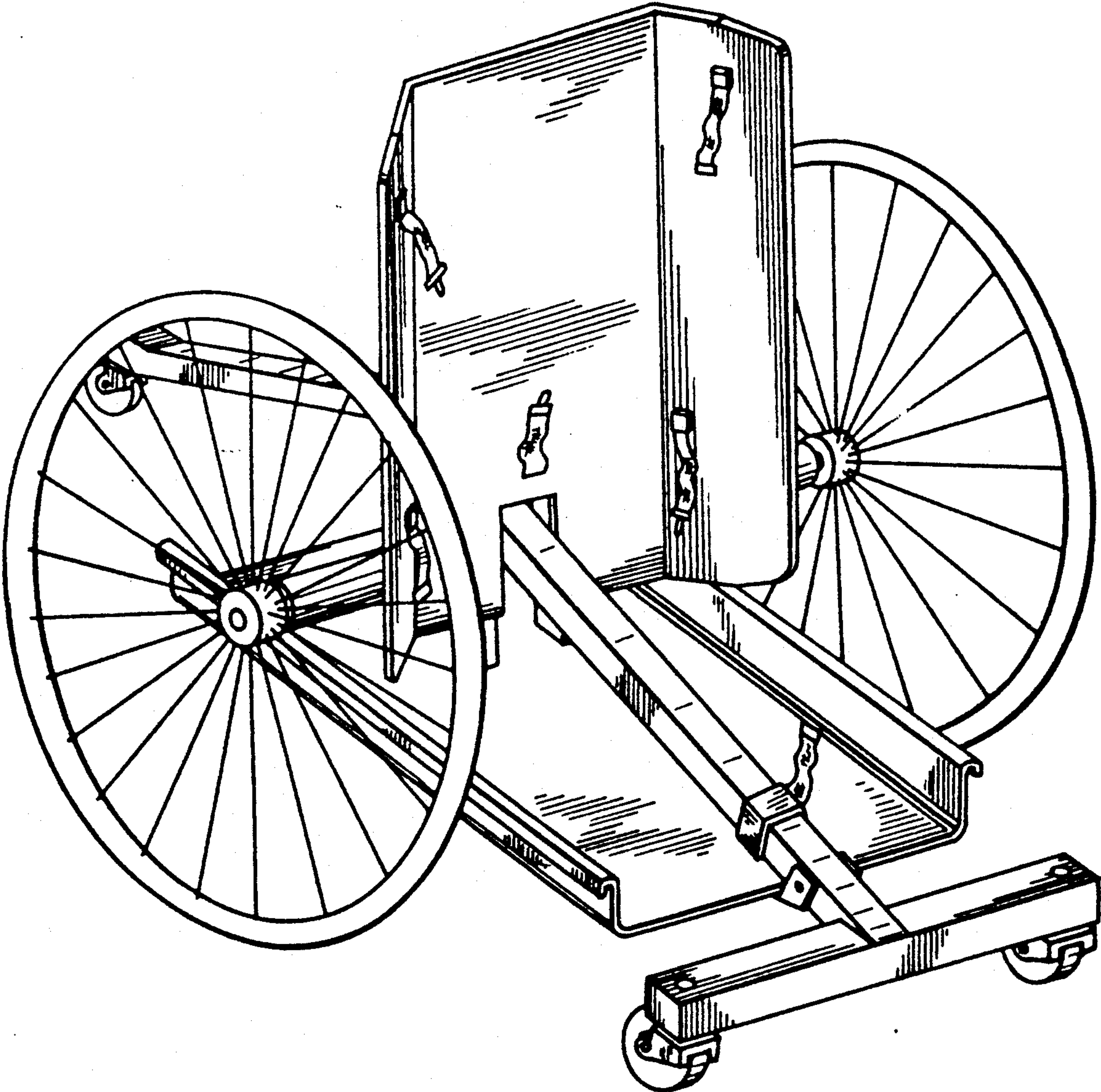


FIG. 7

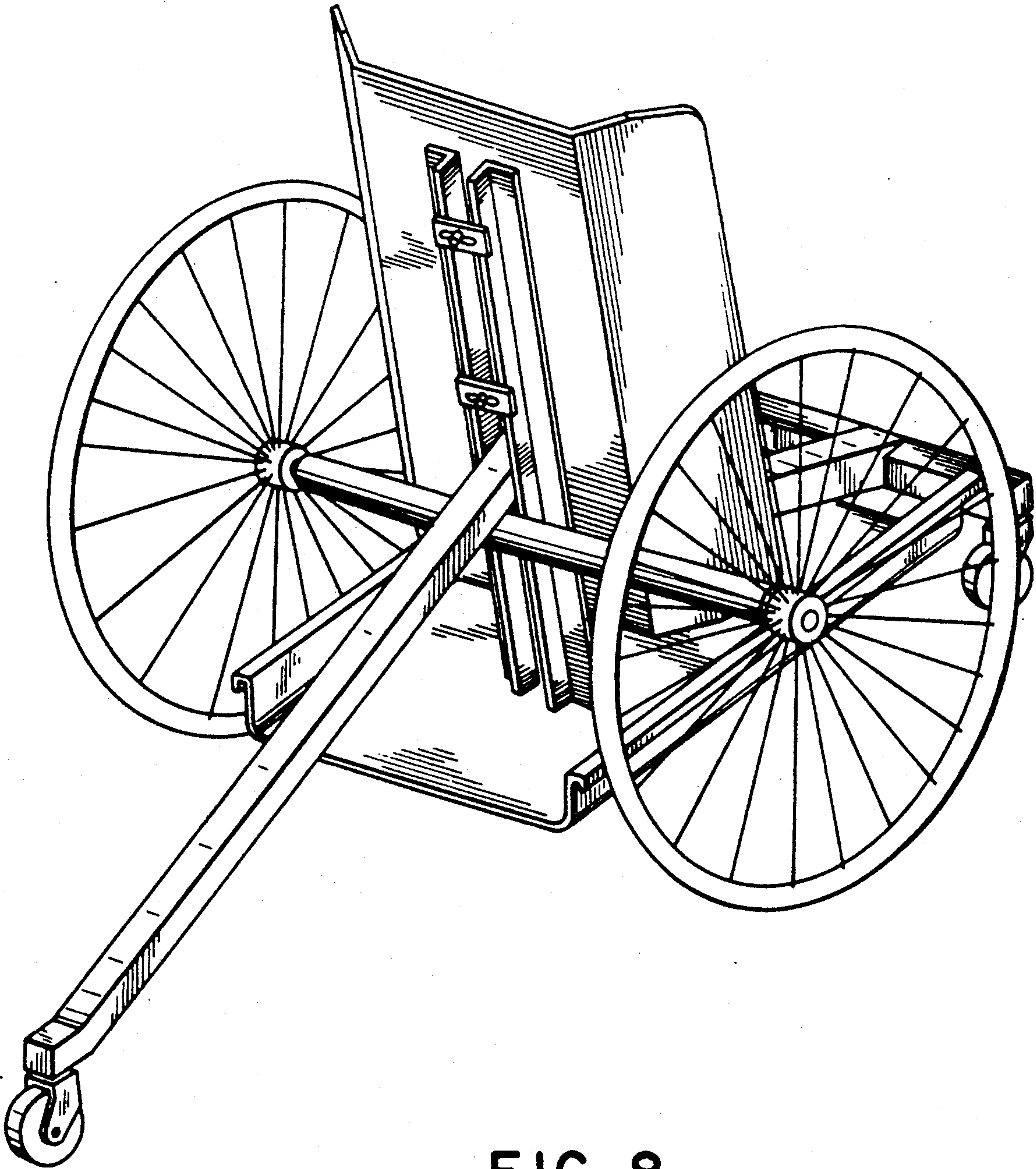


FIG. 8