

[54] **FLOWER POT COVER**

[75] **Inventors:** Donald E. Weder; Erwin H. Weder, both of Highland, Ill.; Wanda M. Weder, Highland, Calif.; Franklin J. Craig, Valley Park, Mo.; Wilma M. Donnelly, Highland, Ill.; Phyllis J. Bolk, Highland, Ill.; John W. Bergstrand, Highland, Ill.; Robert C. Abrams, Edwardsville, Ill.

[73] **Assignee:** Highland Supply Corporation, Highland, Ill.

[*] **Notice:** The portion of the term of this patent subsequent to Apr. 2, 2005 has been disclaimed.

[**] **Term:** 14 Years

[21] **Appl. No.:** 107,802

[22] **Filed:** Oct. 13, 1987

Related U.S. Application Data

[63] Continuation-in-part of Ser. No. 613,053, May 22, 1984, Pat. No. D. 293,224.

[52] **U.S. Cl.** D11/164; D11/156

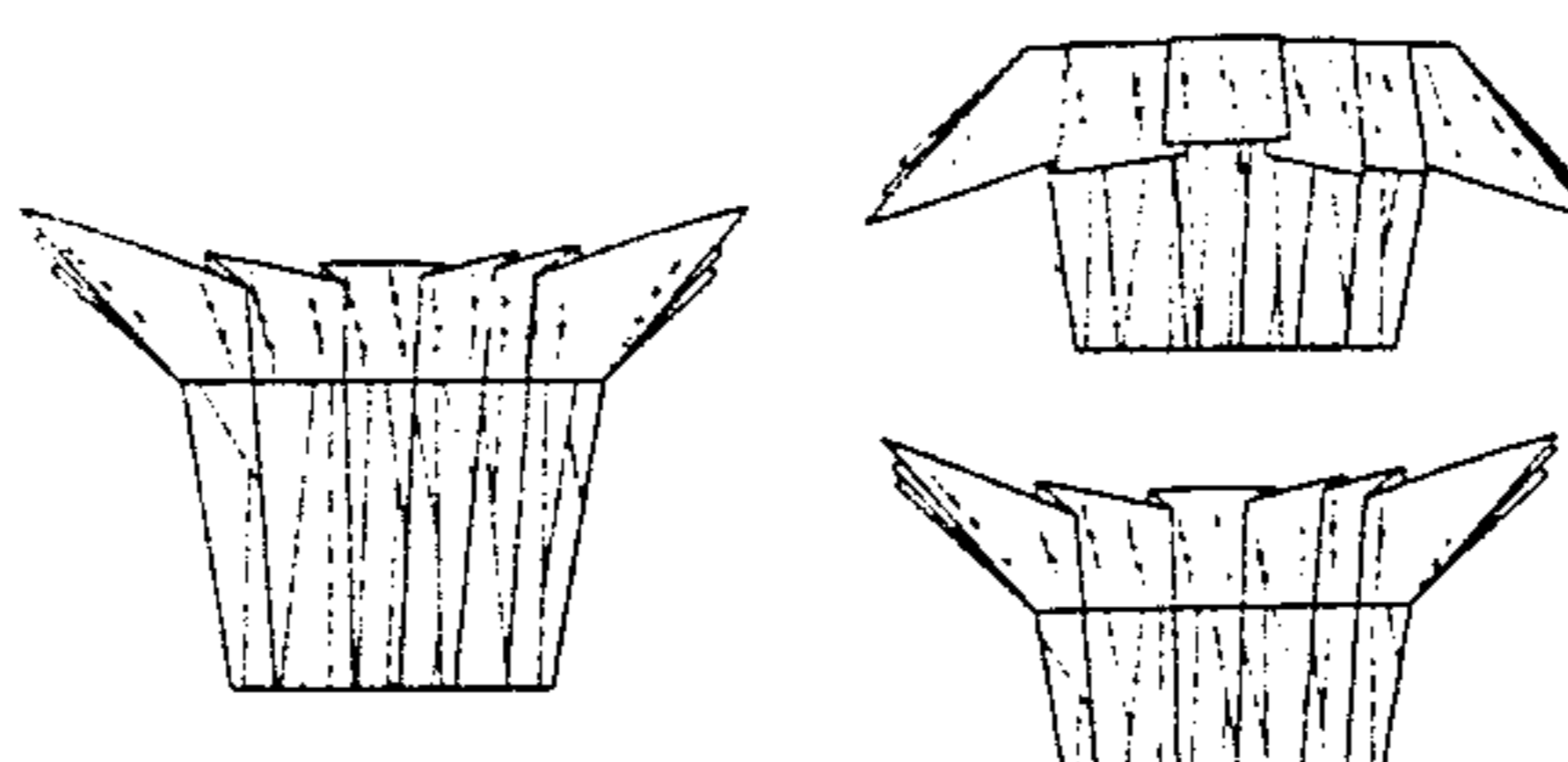
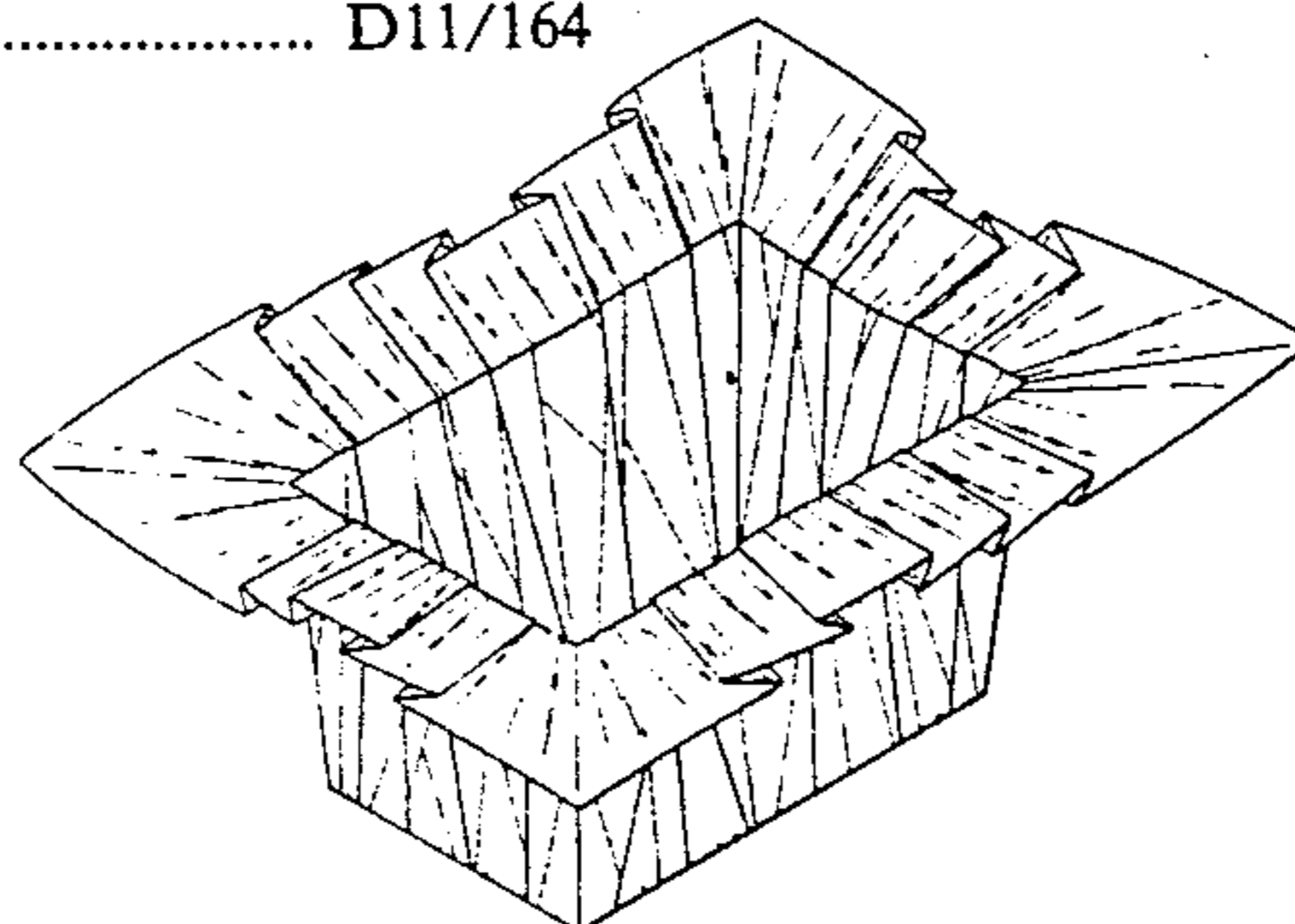
[58] **Field of Search** D11/143, 152, 153, 155, D11/156, 164; 47/66, 72; 206/423; 215/100.5; 229/4.5, 922; 248/27.8; 428/35.1, 542.6

[56] **References Cited**

U.S. PATENT DOCUMENTS

| | | | | |
|------------|---------|--------------|-------|---------|
| D. 254,659 | 4/1980 | Karotseris | | D11/143 |
| D. 287,950 | 1/1987 | Weder et al. | | D11/143 |
| D. 289,024 | 3/1987 | Vaughn | | D11/164 |
| D. 289,982 | 5/1987 | Weder et al. | | D11/164 |
| D. 292,182 | 10/1987 | Weder et al. | | D11/164 |
| D. 292,183 | 10/1987 | Weder et al. | | D11/164 |
| D. 292,184 | 10/1987 | Weder et al. | | D11/164 |
| D. 292,185 | 10/1987 | Weder et al. | | D11/164 |
| D. 292,186 | 10/1987 | Weder et al. | | D11/164 |
| D. 292,187 | 10/1987 | Weder et al. | | D11/164 |
| D. 292,188 | 10/1987 | Weder et al. | | D11/164 |
| D. 292,189 | 10/1987 | Weder et al. | | D11/164 |
| D. 292,190 | 10/1987 | Weder et al. | | D11/164 |
| D. 292,191 | 10/1987 | Weder et al. | | D11/164 |
| D. 292,561 | 11/1987 | Weder et al. | | D11/164 |

| | | | | |
|------------|---------|--------------------|-------|-----------|
| D. 292,562 | 11/1987 | Weder et al. | | D11/164 |
| D. 292,563 | 11/1987 | Weder et al. | | D11/164 |
| D. 293,222 | 12/1987 | Weder et al. | | |
| D. 293,223 | 12/1987 | Weder et al. | | |
| D. 293,304 | 12/1987 | Weder et al. | | D11/164 |
| D. 293,305 | 12/1987 | Weder et al. | | D11/164 |
| D. 293,306 | 12/1987 | Weder et al. | | D11/164 |
| D. 293,307 | 12/1987 | Weder et al. | | D11/164 |
| D. 293,308 | 12/1987 | Weder et al. | | D11/164 |
| D. 293,774 | 1/1988 | Weder et al. | | |
| D. 293,775 | 1/1988 | Weder et al. | | |
| D. 296,535 | 7/1988 | Weder et al. | | D11/149 |
| D. 297,422 | 8/1988 | Weder et al. | | D11/164 |
| D. 298,017 | 10/1988 | Weder et al. | | D11/164 |
| D. 301,565 | 6/1989 | Weder | | D11/152 |
| D. 302,139 | 7/1989 | Weder | | D11/153 |
| D. 302,253 | 7/1989 | Weder | | D11/153 |
| D. 302,254 | 7/1989 | Weder | | D11/153 |
| D. 302,404 | 7/1989 | Weder | | D11/153 |
| D. 302,405 | 7/1989 | Weder | | D11/155 |
| D. 302,406 | 7/1989 | Weder | | D11/155 |
| D. 302,407 | 7/1989 | Weder | | D11/155 |
| D. 303,775 | 10/1989 | Weder | | D11/155 |
| 209,788 | 11/1878 | Affel | | |
| 1,069,675 | 8/1913 | Claussen | | |
| 1,446,563 | 2/1923 | Hughes | | |
| 1,520,647 | 12/1924 | Hennegan | | |
| 1,868,853 | 7/1932 | Sievers | | |
| 1,924,926 | 8/1933 | Gray | | 65/53 |
| 2,302,259 | 11/1942 | Rothfuss | | 41/10 |
| 2,355,559 | 8/1944 | Renner | | 229/8 |
| 2,482,981 | 9/1949 | Kamrass | | 41/13 |
| 2,967,652 | 1/1961 | Canfield et al. | | 229/5.5 |
| 3,022,605 | 2/1962 | Reynolds | | 47/58 |
| 3,271,922 | 9/1966 | Wallerstein et al. | | |
| 3,488,022 | 1/1970 | Vittori | | |
| 3,542,616 | 11/1970 | Cain et al. | | 156/224 |
| 3,962,503 | 6/1976 | Crawford | | 428/40 |
| 4,043,077 | 8/1977 | Stonehocker | | 47/66 |
| 4,118,890 | 10/1978 | Shore | | 47/28 R |
| 4,170,618 | 10/1979 | Adams | | 264/101 |
| 4,216,620 | 8/1980 | Weder et al. | | 47/72 |
| 4,300,312 | 11/1981 | Weder et al. | | D11/143 |
| 4,413,725 | 11/1983 | Bruno et al. | | 206/45.33 |
| 4,508,223 | 4/1985 | Catrambone | | 206/423 |
| 4,733,521 | 3/1988 | Weder et al. | | 53/580 |
| 4,773,182 | 9/1988 | Weder et al. | | 47/72 |
| 4,795,601 | 1/1989 | Cheng | | 264/138 |
| 4,835,834 | 6/1989 | Weder | | 29/525 |



FOREIGN PATENT DOCUMENTS

560532 4/1975 Switzerland .

OTHER PUBLICATIONS

Exhibit A, Curtis Wagner Co., Inc., Houston, Tex., shows thick, stiff, shiny red plastic pot cover with large scalloped border, (photograph) date unknown.

Exhibit B, Date of first use unknown, Jacobson Pot Cover Co., Scranton, Pa., advertising literature.

Exhibit C, Photograph of pot cover, manufacturer unknown, date unknown.

Exhibit D, Photocopy of photo of pot cover ("Platform Pot Dresser") made by John Raisen Corp., San Francisco, Calif., date of first use unknown.

Exhibit E, Photograph of 2-part pot cover system made by Floral Decor, subsidiary of John Henry Co., Lansing Mich., date unknown.

Exhibit F, Photo of pot cover made by a Holland Company ("K.P.I."), date of first public use believed to be late 1984.

Exhibit G, "The Glass of Frederick Carder", copyright 1971 by P. V. Gardner, showing various styles of glass basket-like vases or containers.

Exhibit H, "Speed Cover" brochure, published 1983 by Applicants, showing various pot covers.

Exhibit I, "Speed Cover" brochure, published 1983 by Applicants, showing various pot covers.

Exhibit J, Item published in 1936 by Gellman Bros., Minneapolis, Minn., Shows an assortment of paper hats.

Exhibit K, Photo of various other flower pot wrapping, sold in rolls or sheets and used in the floral industry many years.

Exhibit L, Photo of pot cover made of woven straw--like material, date unknown.

Exhibit M, Photo of basket-type pot cover used in the floral industry, date unknown.

Exhibit N, "Speed Cover" brochure, published 1984 by Applicants, showing various pot covers.

Primary Examiner—B. J. Bullock

Attorney, Agent, or Firm—Dunlap, Coddling, Peterson & Lee

[57]

CLAIM

The ornamental design for a flower pot cover, as shown and described.

DESCRIPTION

FIG. 1 is a perspective view of a flower pot cover showing our new design;

FIG. 2 is a reduced side elevational view thereof, all sides being identical;

FIG. 3 is a reduced top plan view thereof;

FIG. 4 is a reduced bottom plan view thereof;

FIG. 5 is a reduced side perspective view of the longer side of a second embodiment of the design of FIG. 1, the only difference being the angle of the skirt;

FIG. 6 is a reduced side elevational view of the longer side of a third embodiment of the design of FIG. 1, the only difference being the angle of the skirt;

FIG. 7 is a reduced side elevational view of the longer side of a fourth embodiment of the design of FIG. 1, the only difference being the height of the body;

FIG. 8 is a reduced side elevational view of the longer side of a fifth embodiment of the design of FIG. 1, the only differences being the angle of the skirt and the height of the body;

FIG. 9 is a reduced side elevational view of the longer side of a sixth embodiment of the design of FIG. 1, the only differences being the angle of the skirt and the height of the body.

The flower pot cover has no substantial thickness.

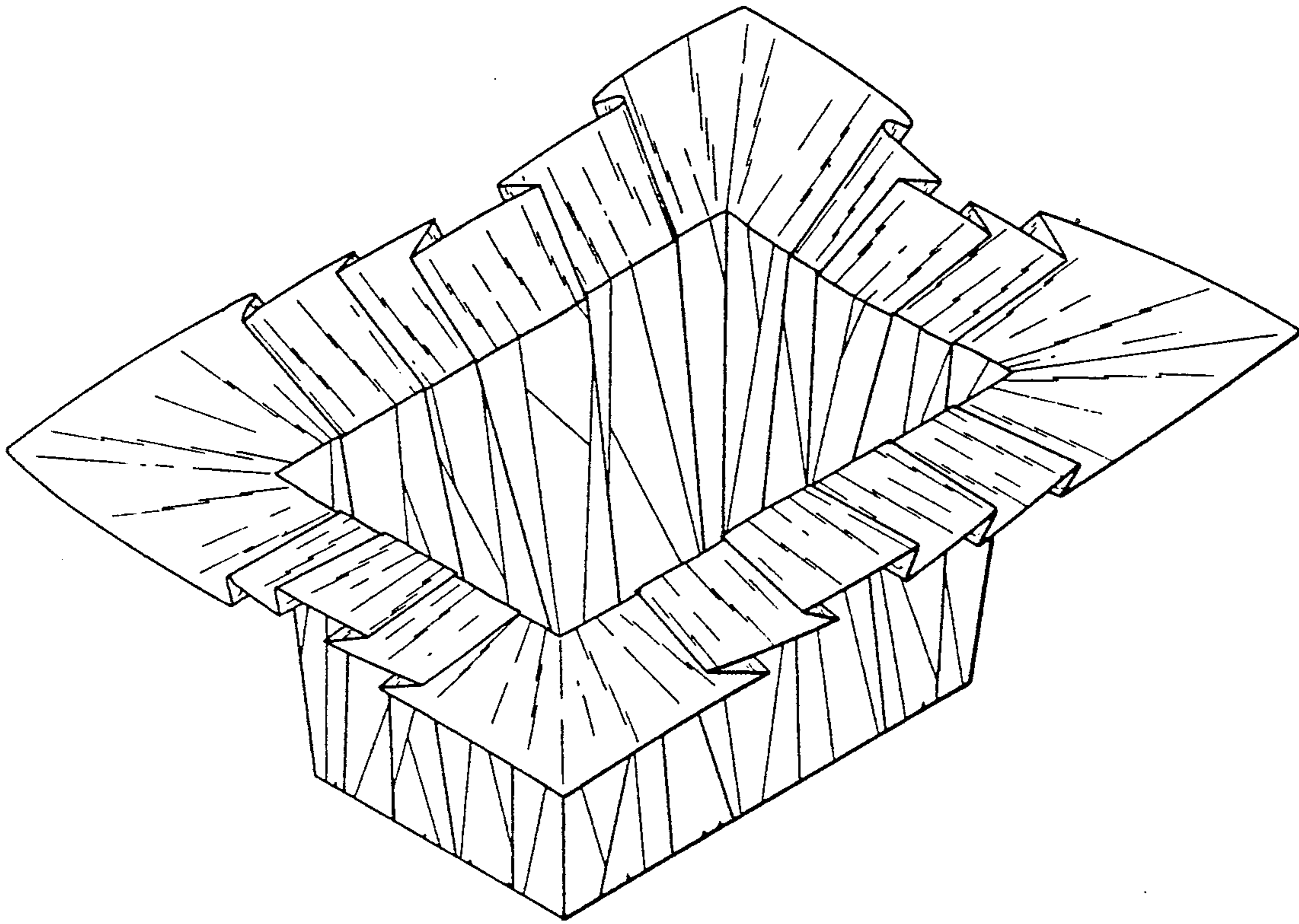


FIG. 1

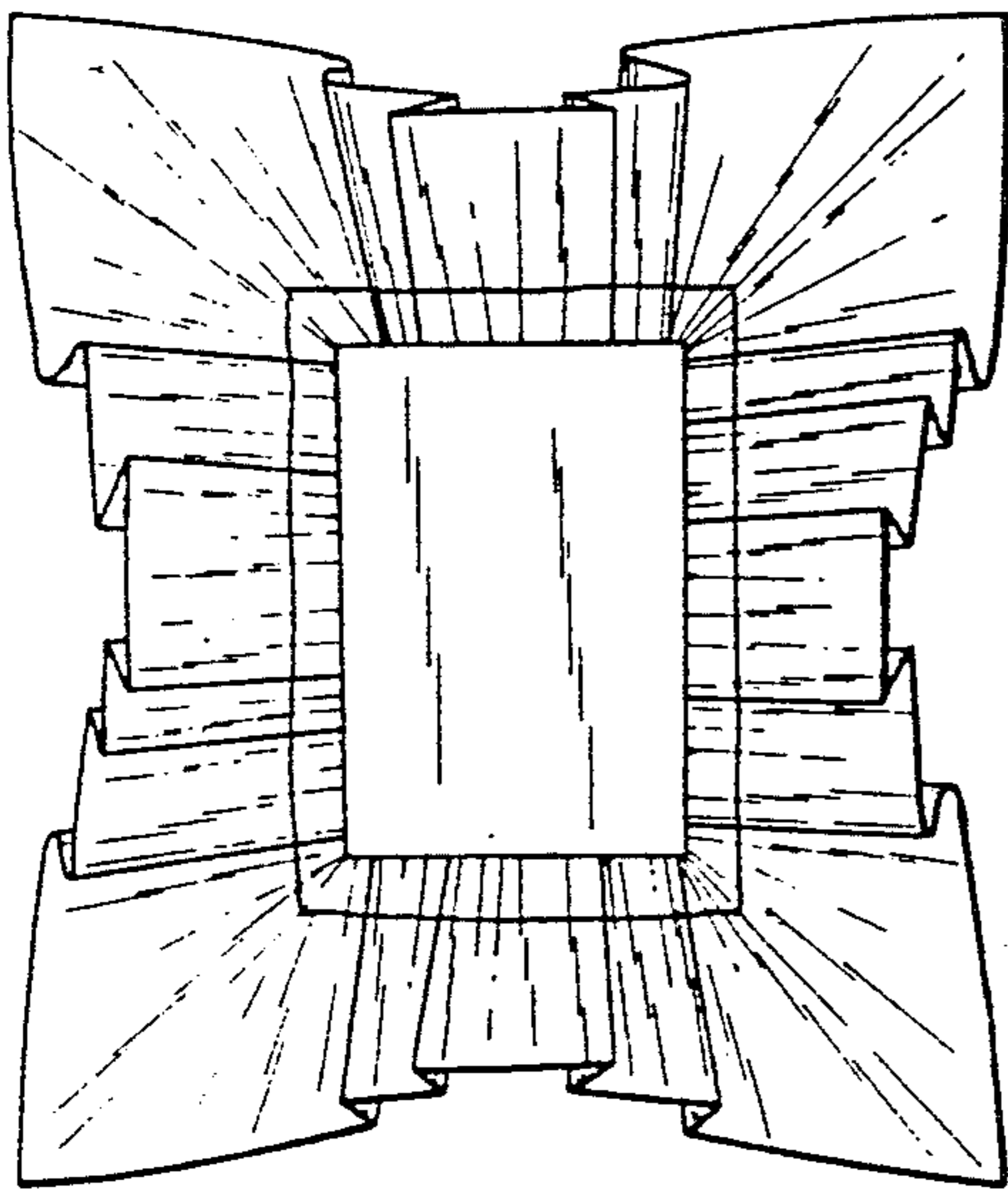


FIG. 2

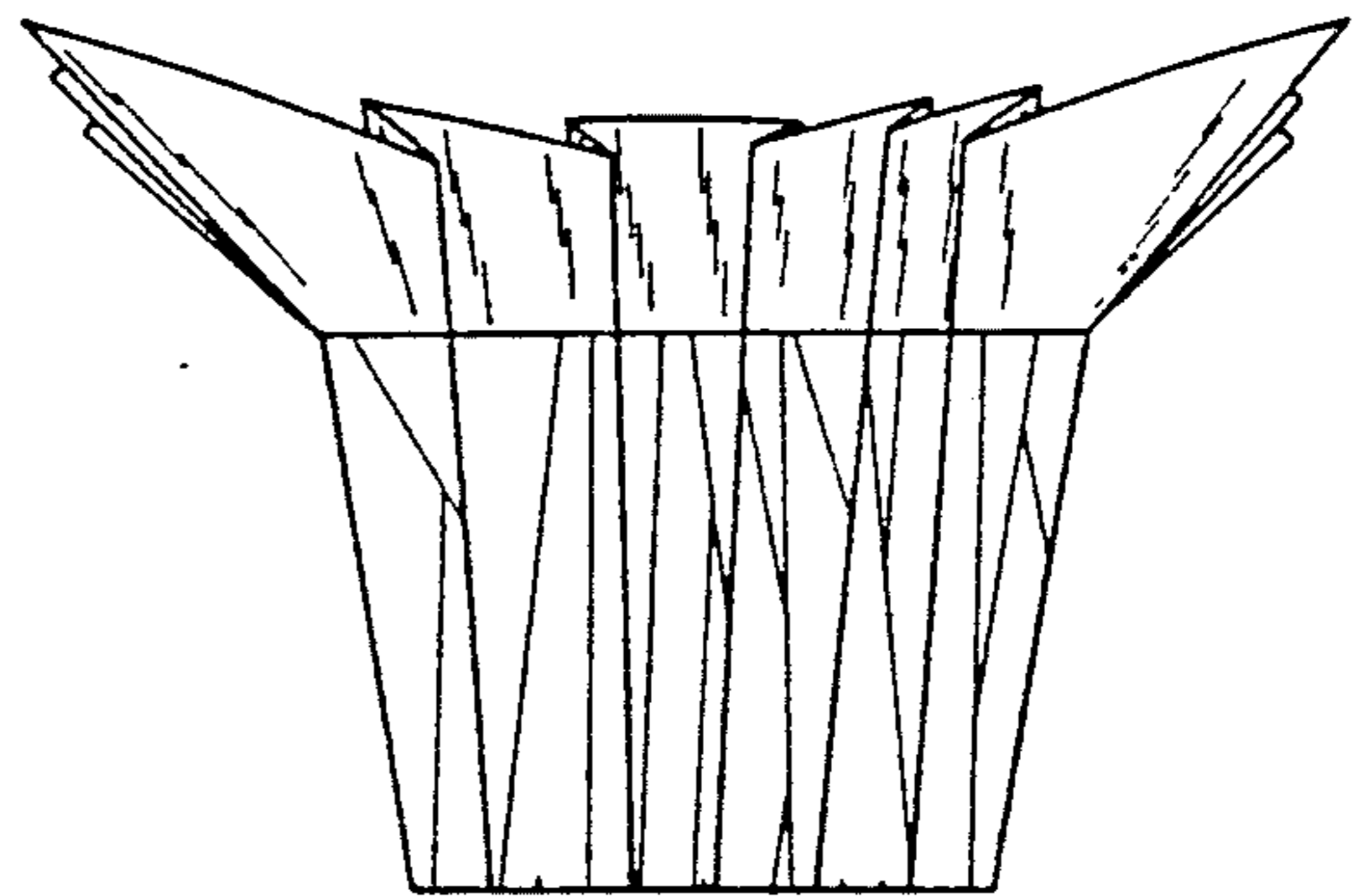


FIG. 3

