

[54] **COMBINED FLASHING LIGHTS & TRAFFIC CONE**

[76] **Inventor: Jack A. DeCaro, 1109 N. Jackson, Tacoma, Wash. 98406**

[**] **Term: 14 Years**

[21] **Appl. No.: 193,648**

[22] **Filed: May 13, 1988**

[52] **U.S. Cl. D10/114; D10/109**

[58] **Field of Search D10/114, 109, 113; 340/468, 471-479; 116/63 R, 63 P, 63 C; 350/97, 100**

D. 277,739	2/1985	Grammas	D10/109
1,263,072	4/1918	Klink .	
1,388,060	8/1921	Ricigliano .	
1,583,410	5/1926	Mastin .	
2,949,531	8/1960	Lemelson	D10/114 X
3,132,624	5/1964	Shoemaker, Jr.	340/473 X
3,435,412	3/1969	Bohrer .	
3,810,091	5/1974	Hoover .	
4,042,919	8/1977	Patty .	
4,090,186	5/1978	Renner .	
4,475,476	10/1984	Howard .	

Primary Examiner—Susan J. Lucas
Attorney, Agent, or Firm—James F. Leggett

[56] **References Cited**
U.S. PATENT DOCUMENTS

D. 185,605	6/1959	Kaiser .	
D. 196,622	10/1963	Laudi .	
D. 224,628	8/1972	Lamb .	
D. 231,493	4/1974	Allington .	
D. 231,909	6/1974	Allington .	
D. 232,923	9/1974	Lawlor	D10/114
D. 257,614	12/1980	Branner .	
D. 266,653	10/1982	Cho	D10/109
D. 274,317	6/1984	Nelson .	

[57] **CLAIM**
 The ornamental design for a combined flashing light and traffic cone, as shown and described.

DESCRIPTION
 FIG. 1 is a front perspective view of a combined flashing light and traffic cone showing my new design.
 FIG. 2 is a front elevational view thereof.
 FIG. 3 is a rear elevational view thereof.
 FIG. 4 is a side elevational view thereof, the opposite side being a mirror image.
 FIG. 5 is a top plan view thereof.

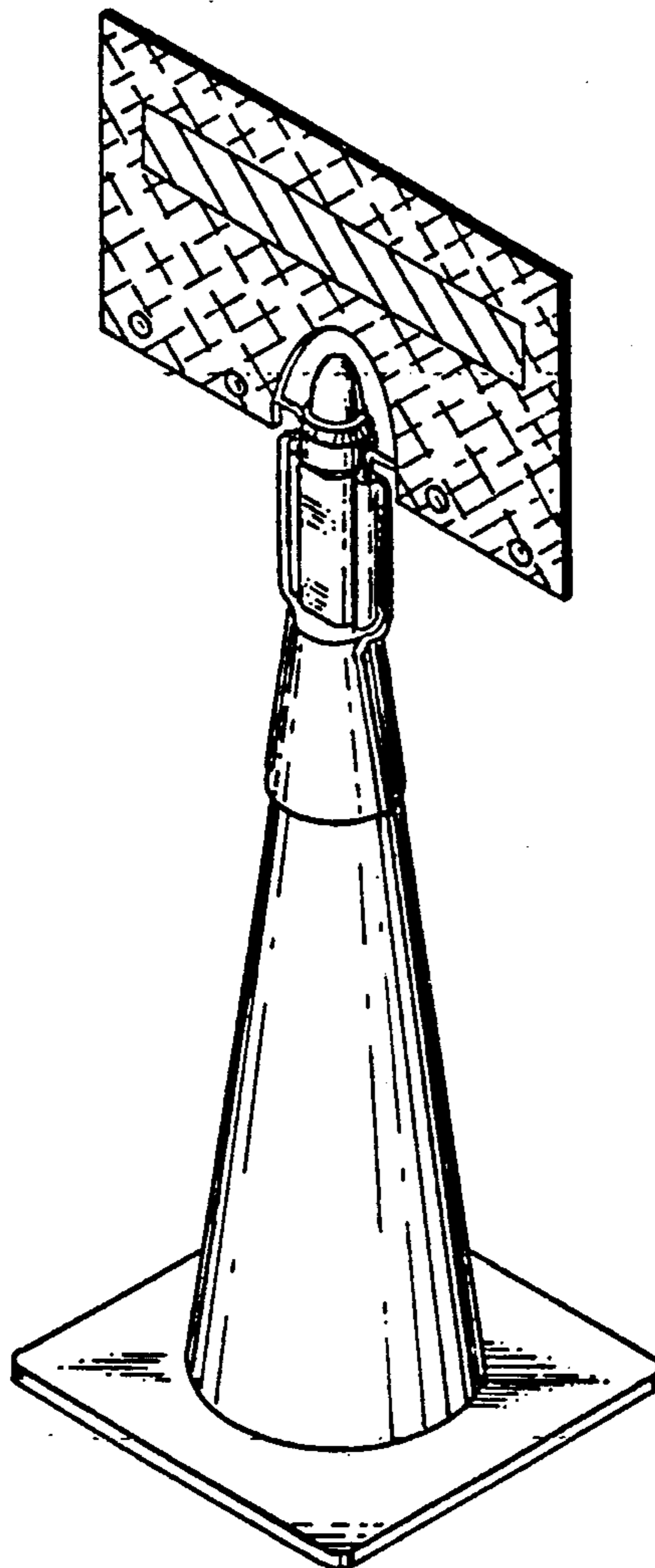


FIG.1

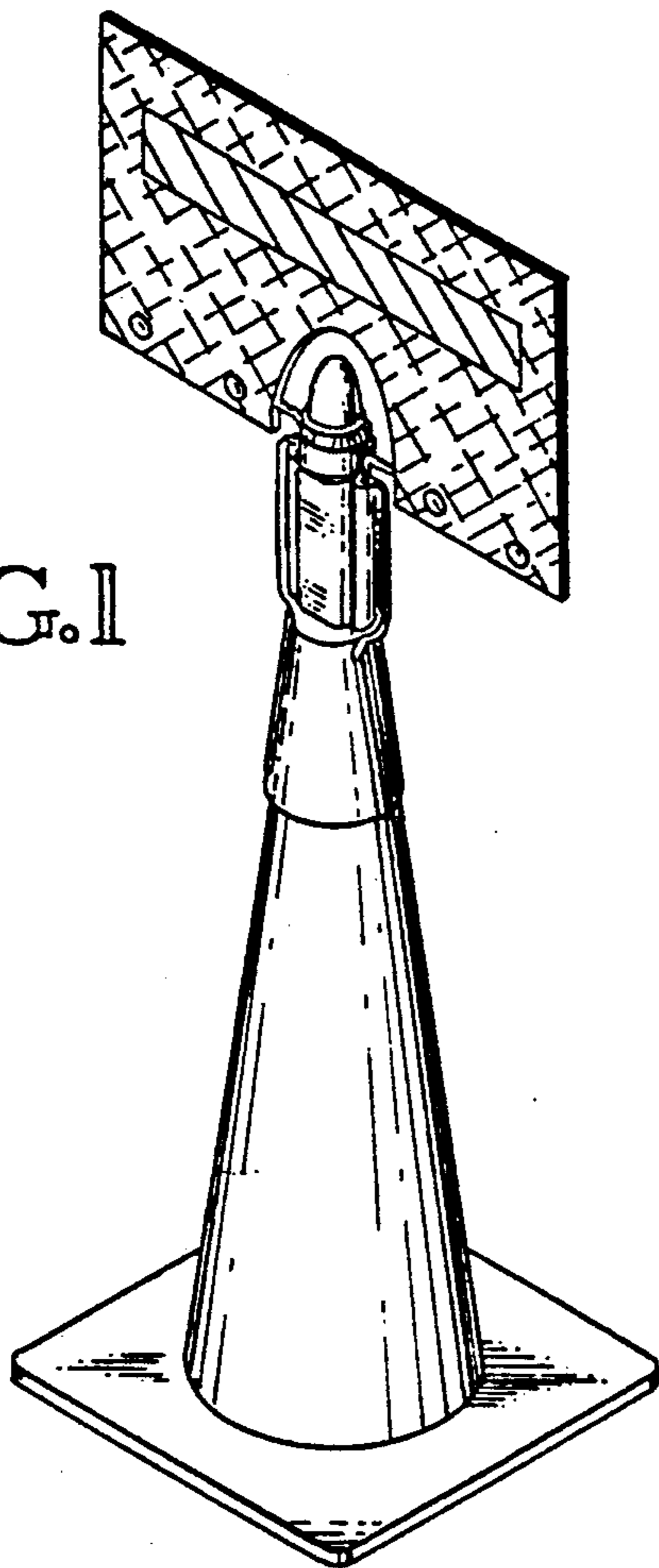


FIG.2

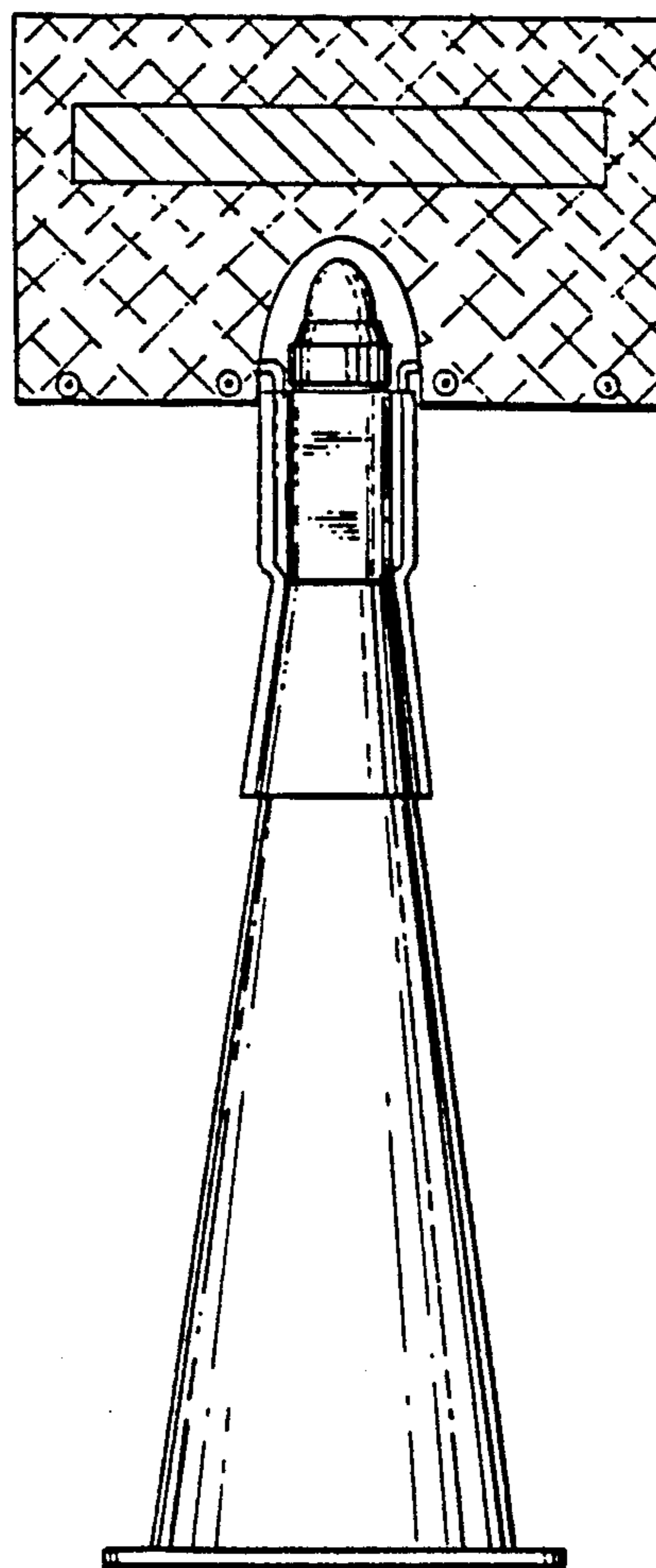


FIG. 4

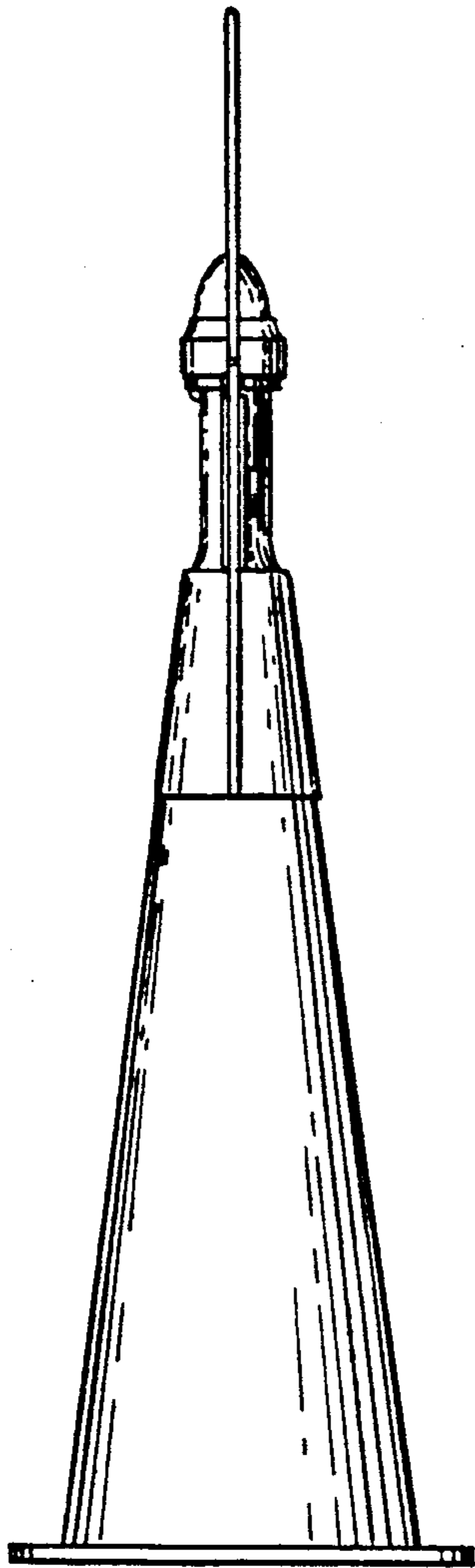


FIG. 3

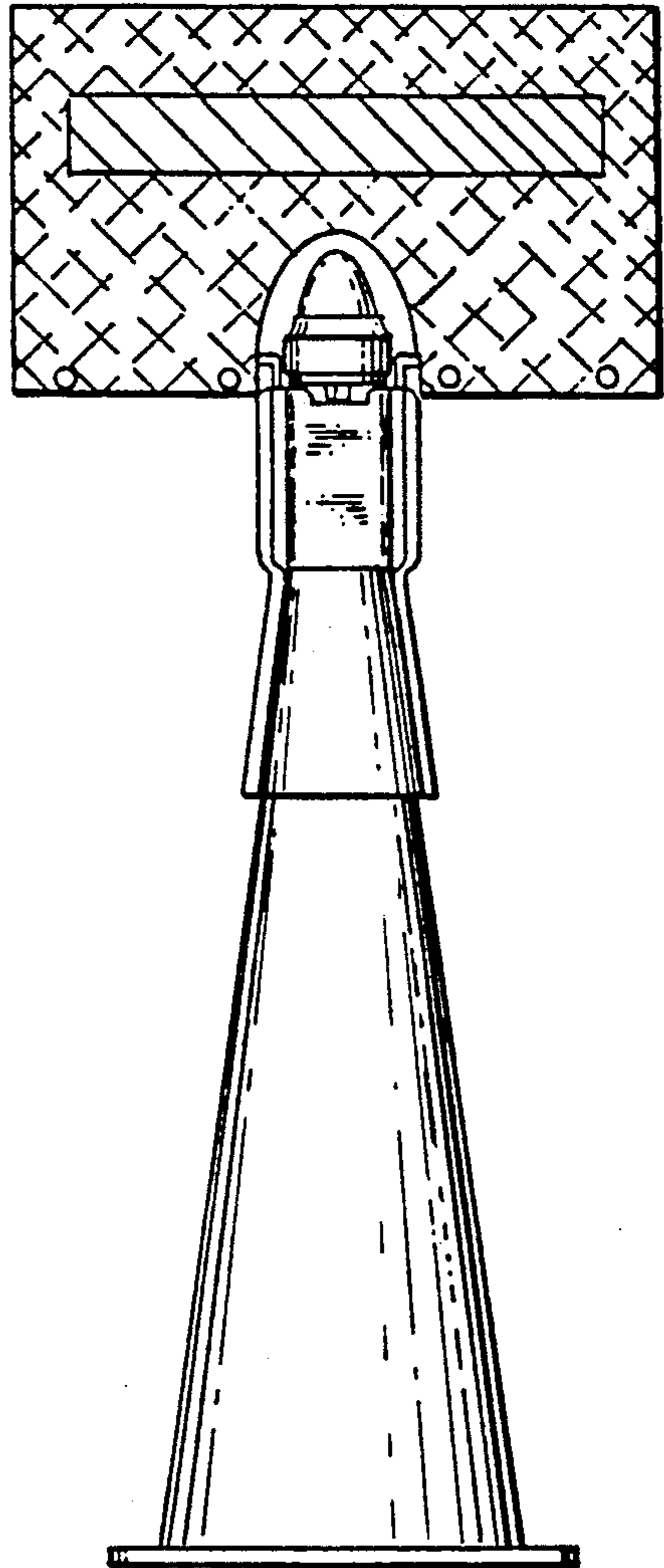


FIG. 5

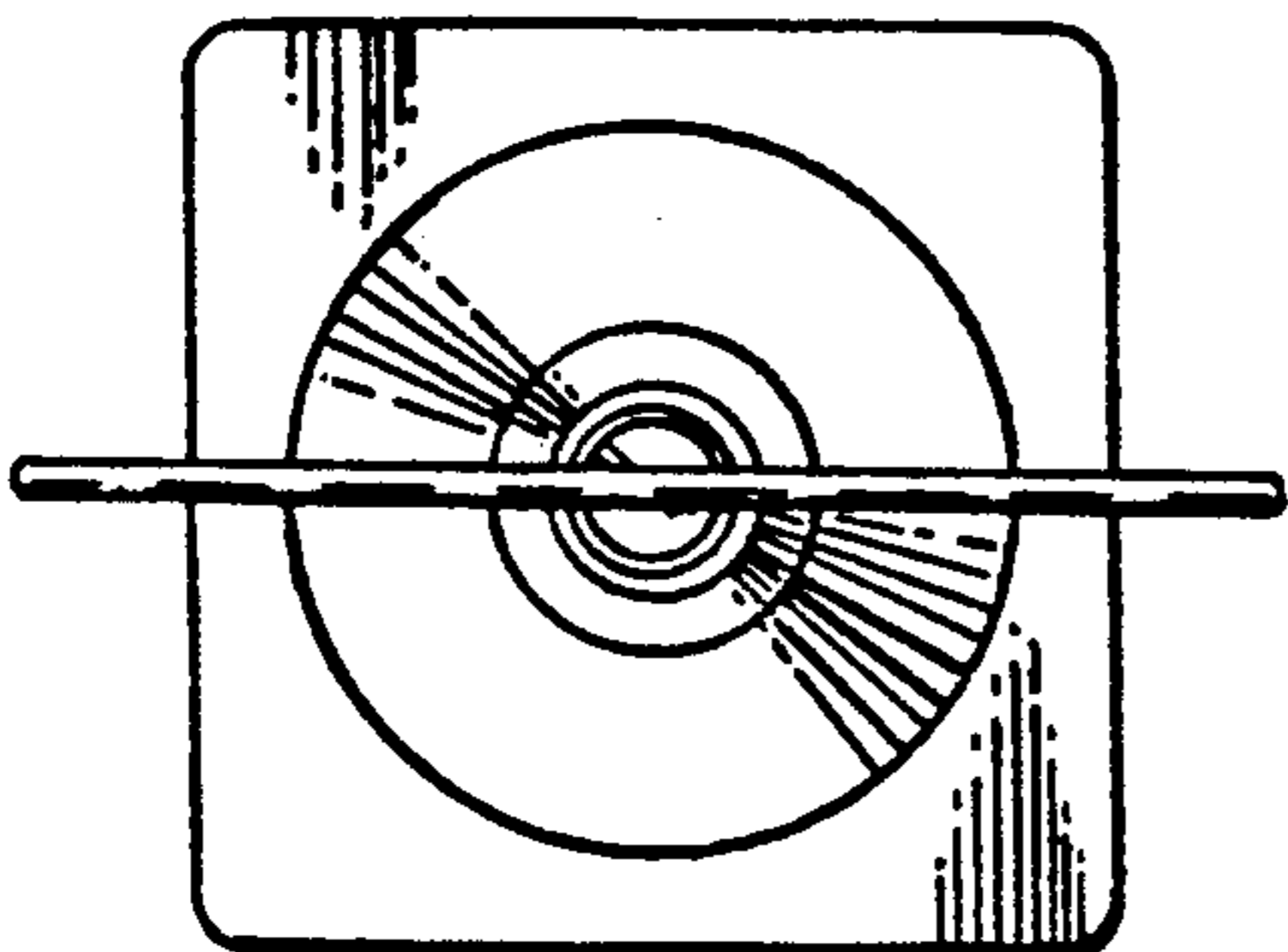


FIG. 6

