

[54] ROLLING RULER

[75] Inventor: Adam T. Laws, Balmain East, Australia

[73] Assignee: James Gregory McLaughlin, Queensland, Australia

[\*\*] Term: 14 Years

[21] Appl. No.: 273,431

[22] Filed: Nov. 18, 1988

[30] Foreign Application Priority Data

May 20, 1988 [AU] Australia ..... 1629/88

[52] U.S. Cl. .... D10/62

[58] Field of Search ..... D10/61, 62, 63, 64, D10/65, 70, 71; D19/37, 38, 39, 40; 33/448, 449, 484, 485, 489, 562, 563, 564, 565, 566, 567

[56] References Cited

U.S. PATENT DOCUMENTS

- D. 198,935 8/1964 Elkins ..... D10/62 X
- D. 261,995 11/1981 Kolodge ..... D10/62
- 306,869 10/1884 Scott ..... D10/64 X

FOREIGN PATENT DOCUMENTS

- 173354 3/1986 European Pat. Off. .... 33/449
- 163907 2/1949 Fed. Rep. of Germany ..... 33/492
- 120143 of 1958 U.S.S.R. .... 33/449
- 13302 of 1910 United Kingdom ..... 33/409
- 2118105 10/1983 United Kingdom ..... 33/449

OTHER PUBLICATIONS

Popular Mechanics, 5/1957, "Ruler on Wheels", p. 146.  
Popular Mechanics, 3/1959, "Ruler Rolls", p. 107.

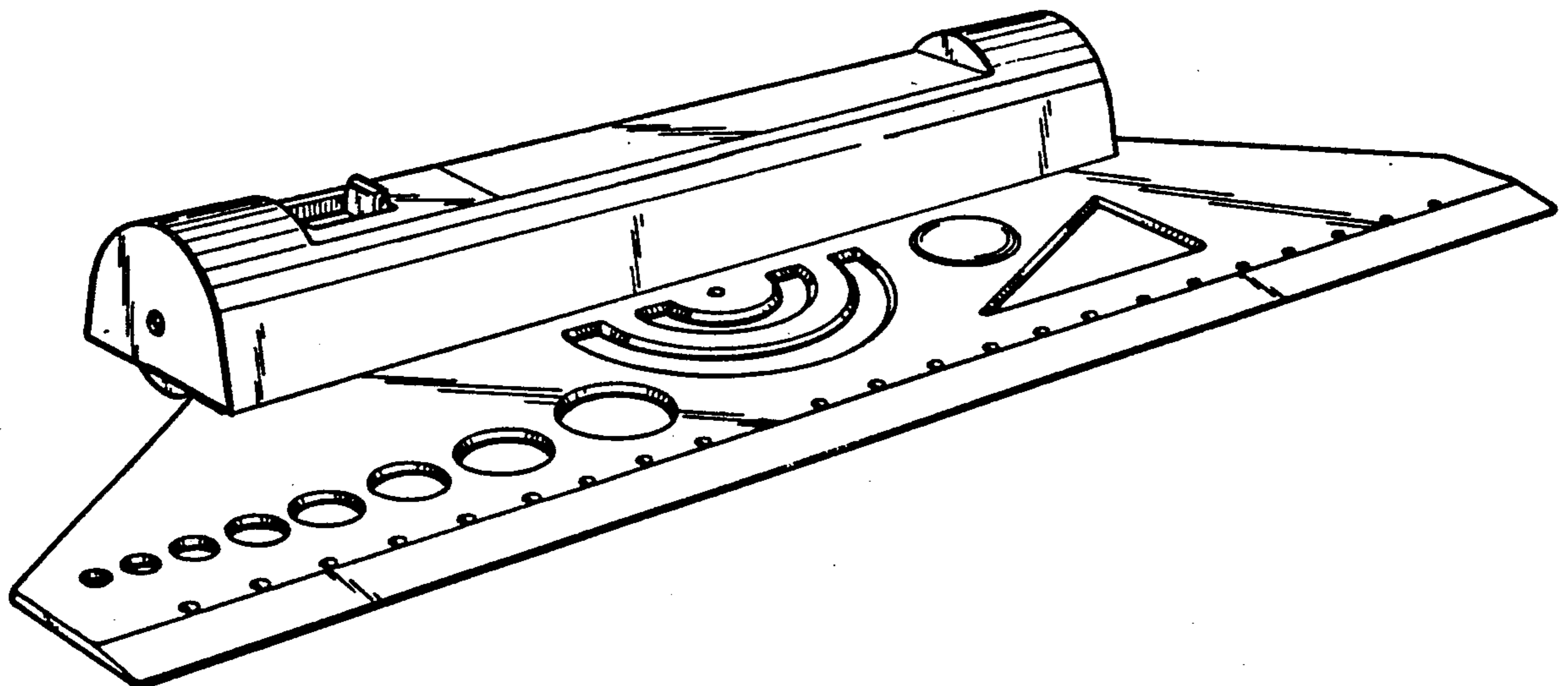
Primary Examiner—Nelson C. Holtje  
Assistant Examiner—Antoine D. Davis  
Attorney, Agent, or Firm—Townsend and Townsend

[57] CLAIM

The ornamental design for a rolling ruler, as shown.

DESCRIPTION

FIG. 1 is a top, front, and left side perspective view of a rolling ruler showing my new design;  
FIG. 2 is a top plan view;  
FIG. 3 is a front elevational view;  
FIG. 4 is a bottom plan view;  
FIG. 5 is a rear elevational view; and  
FIG. 6 is a right side elevational view, the left side being a mirror image thereof.



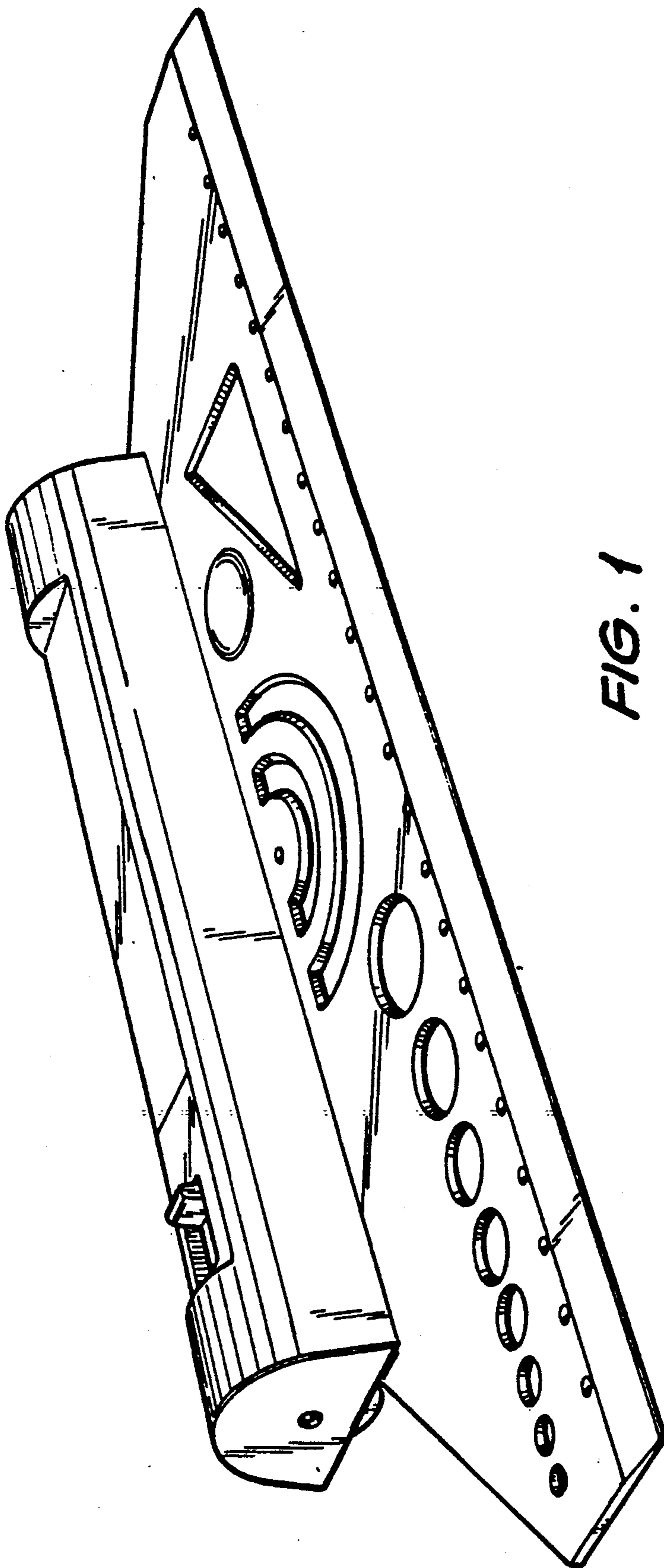


FIG. 1

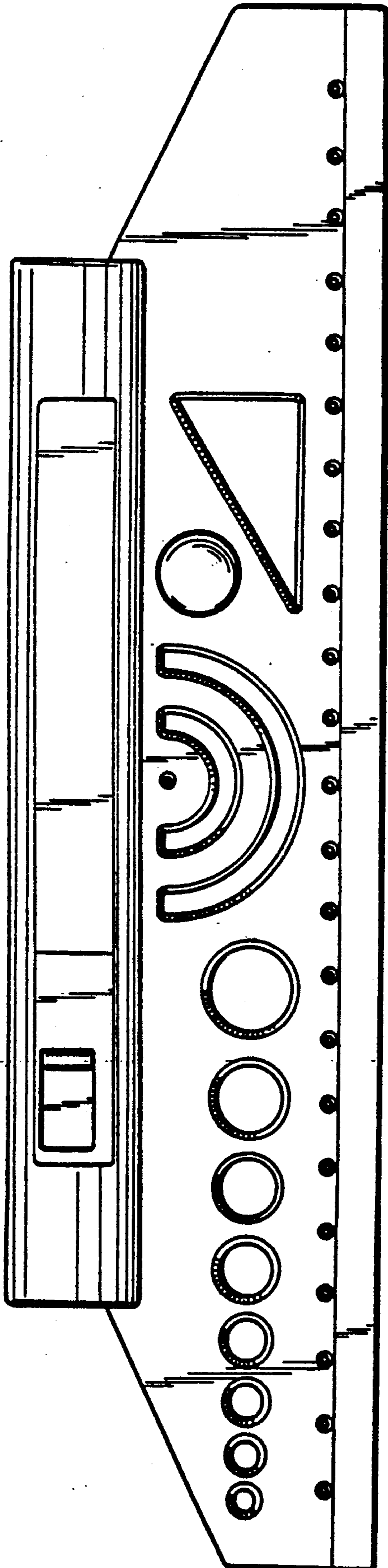


FIG. 2

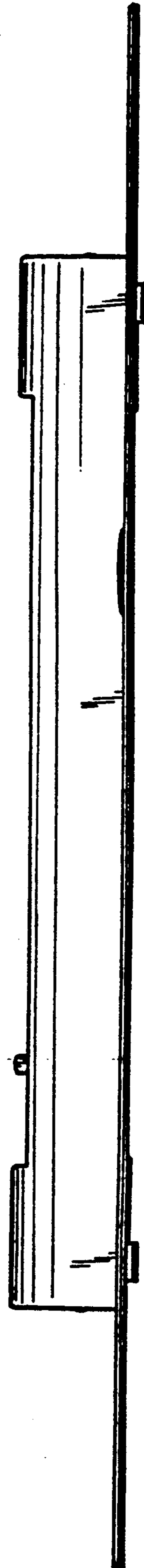


FIG. 3

FIG. 4

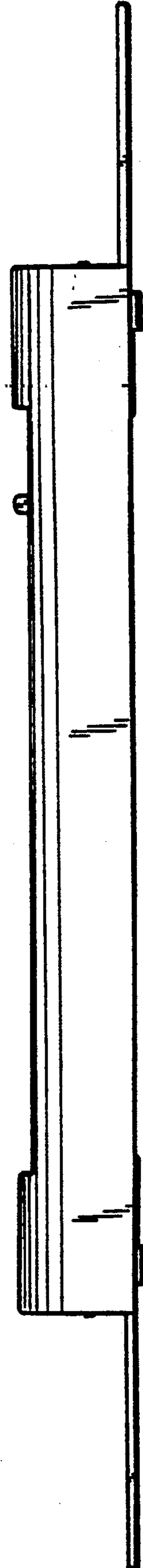
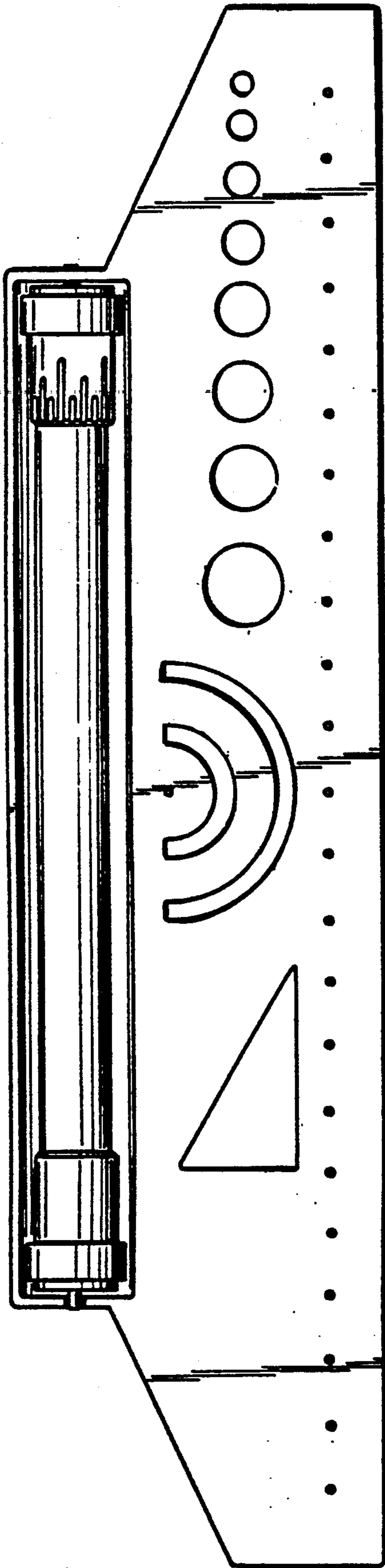


FIG. 5

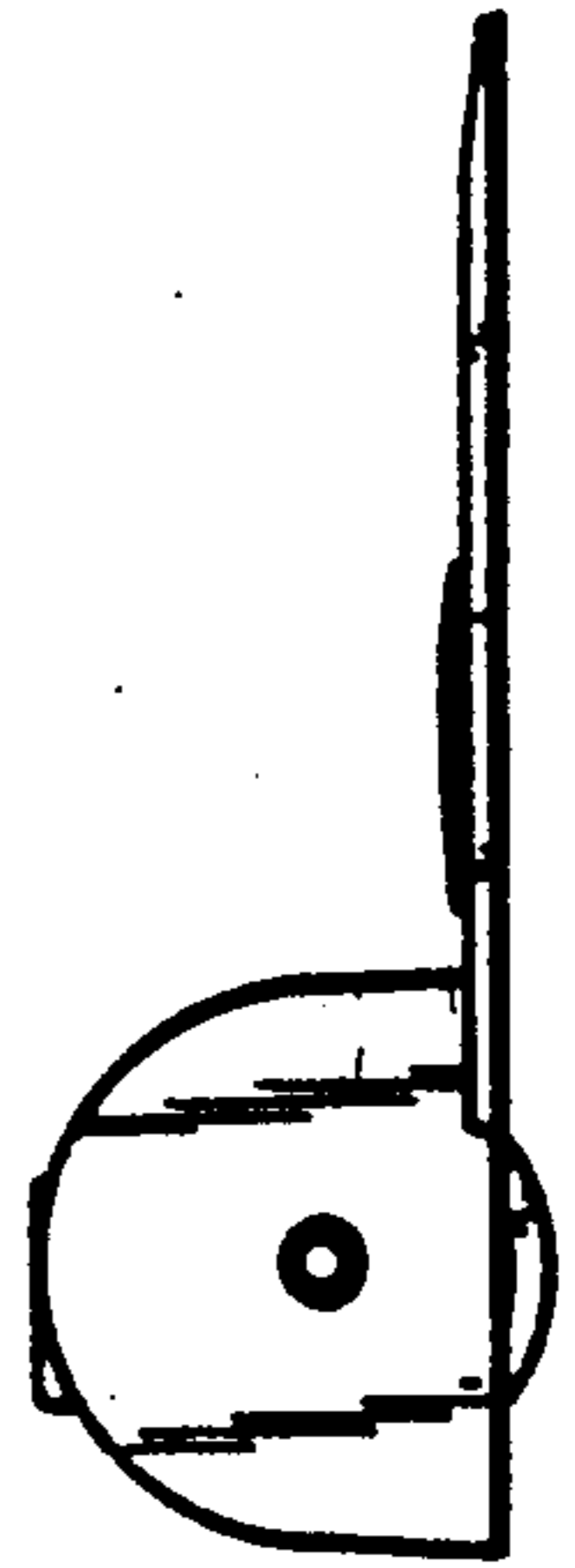


FIG. 6