

[54] PIPE HOLDER

[76] Inventor: Lee Shui-Mu, No. 160, Sec. 1, Tai Yuan Rd., Taichung, Taiwan

[**] Term: 14 Years

[21] Appl. No.: 548,774

[22] Filed: Jul. 6, 1990

[52] U.S. Cl. D8/380; D8/354

[58] Field of Search 248/126, 127, 309.1, 248/58-60; D8/354, 380, 363

[56] References Cited

U.S. PATENT DOCUMENTS

D. 165,901	2/1952	Bloom et al.	D8/380 X
D. 259,241	5/1981	Lynch et al.	D8/363
1,698,531	1/1929	Brenizer	248/61
2,801,064	7/1957	Callahan	D8/363 X

Primary Examiner—Wallace R. Burke

Assistant Examiner—Holly H. Baynham

Attorney, Agent, or Firm—Morton J. Rosenberg; David I. Klein

[57] CLAIM

The ornamental design for a pipe holder, as shown and described.

DESCRIPTION

FIG. 1 is a perspective view of a pipe holder showing my design;

FIG. 2 is a front elevational view thereof, with the opposite end being identical in appearance;

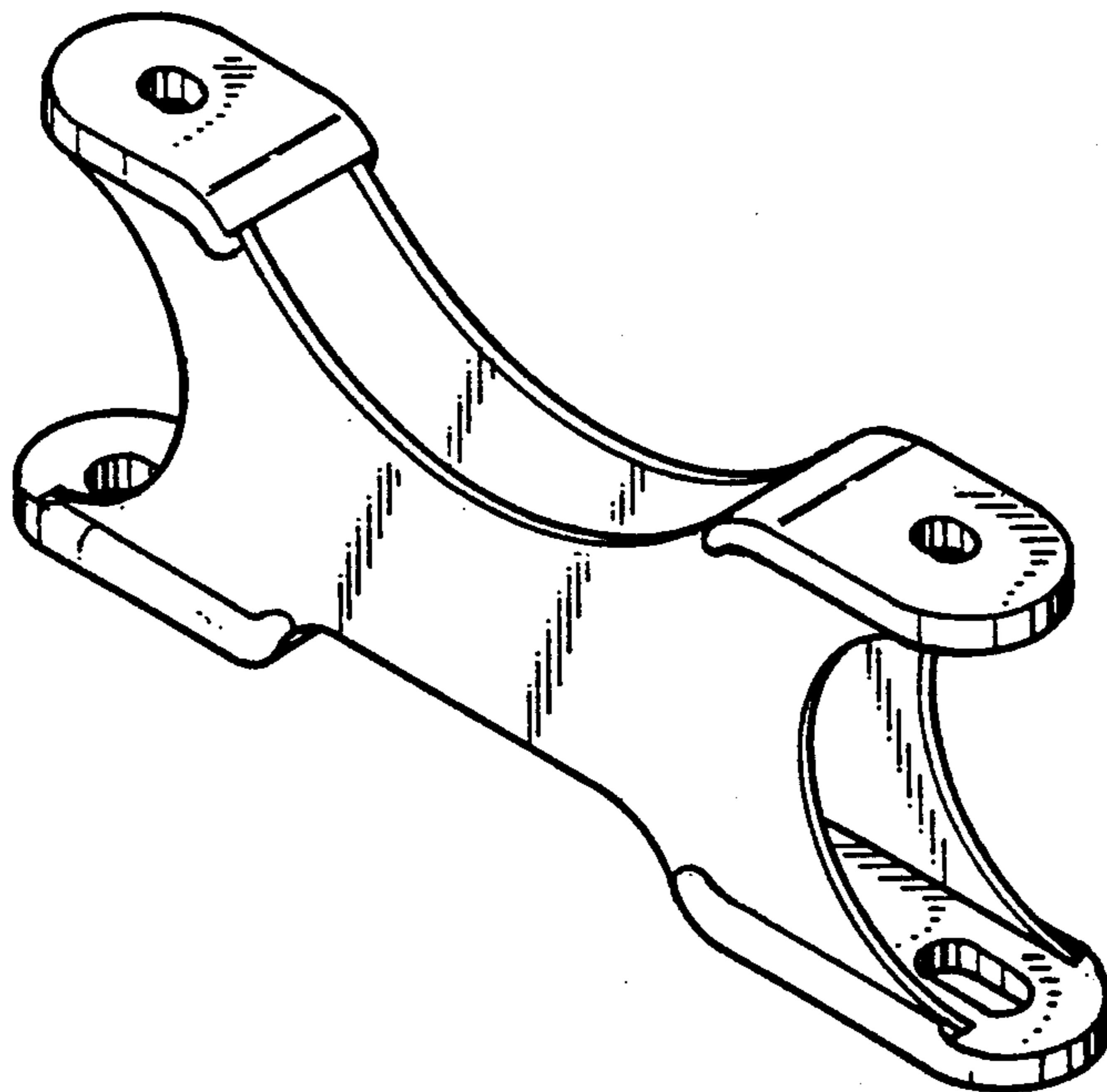
FIG. 3 is a top plan view thereof;

FIG. 4 is a bottom plan view thereof;

FIG. 5 is a left side elevational view thereof with the right side being identical in appearance;

FIG. 6 is an elevational view thereof showing the utilization of my new design;

The broken line showing of a pipe and a securing means therefor is for illustrative purposes only and forms no part of the claimed design.



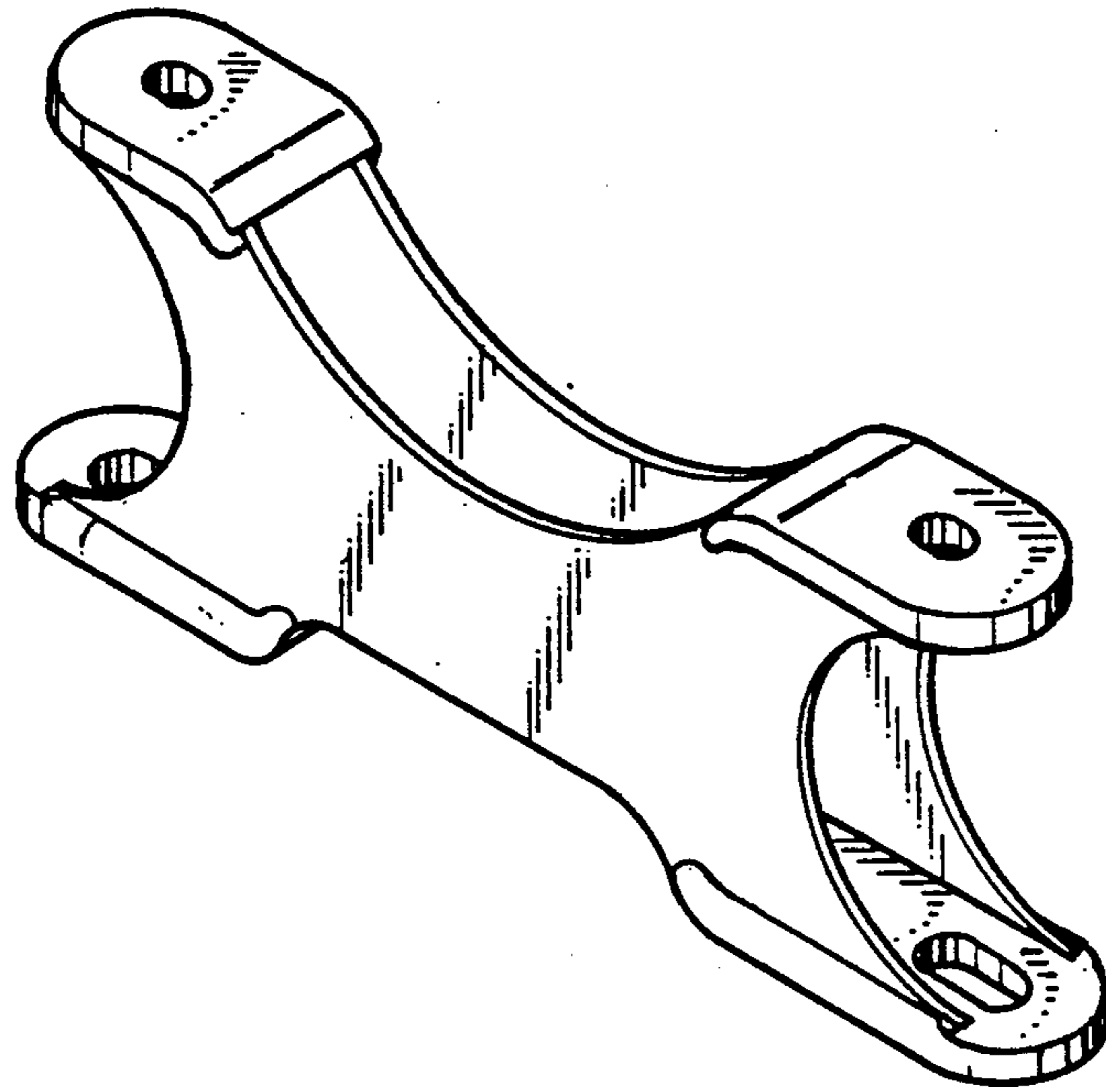


FIG. 1

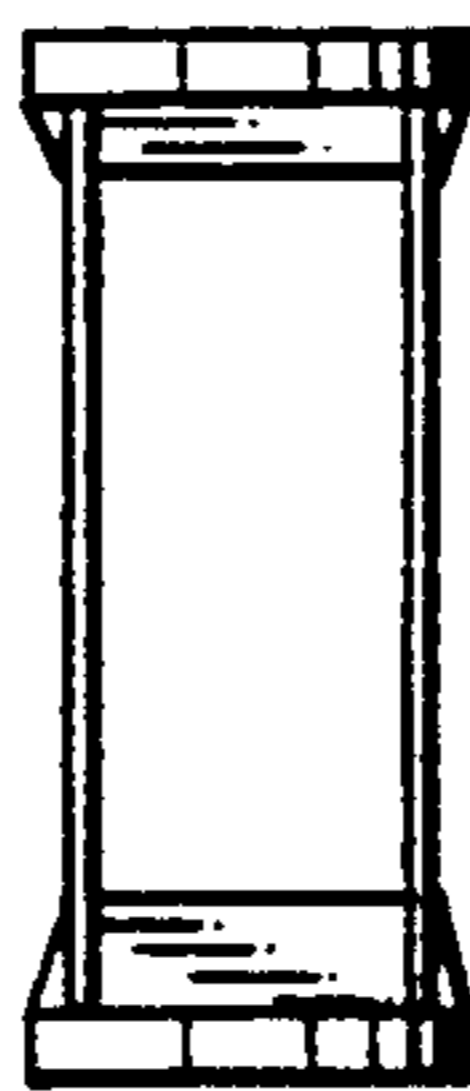


FIG. 5

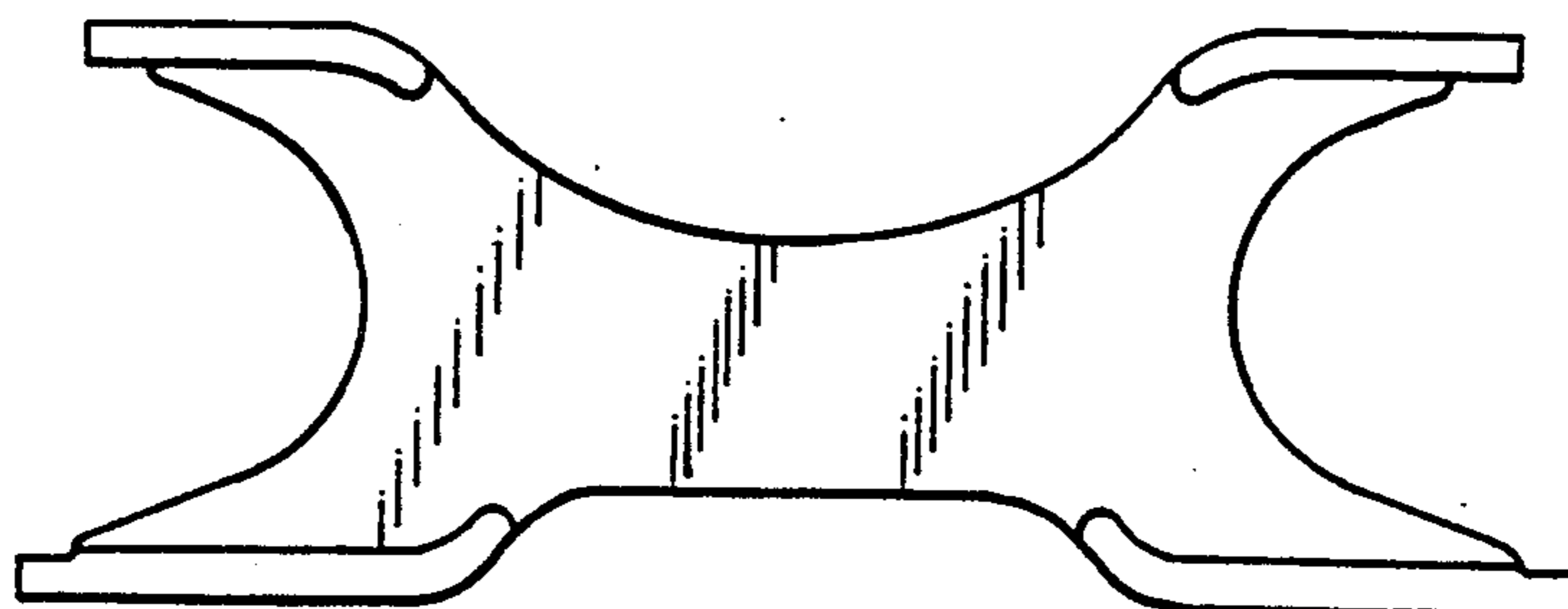


FIG. 2

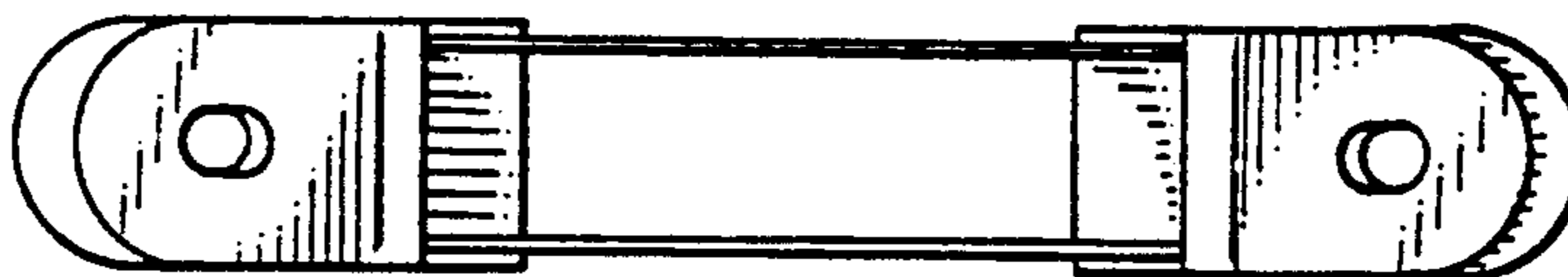


FIG. 3

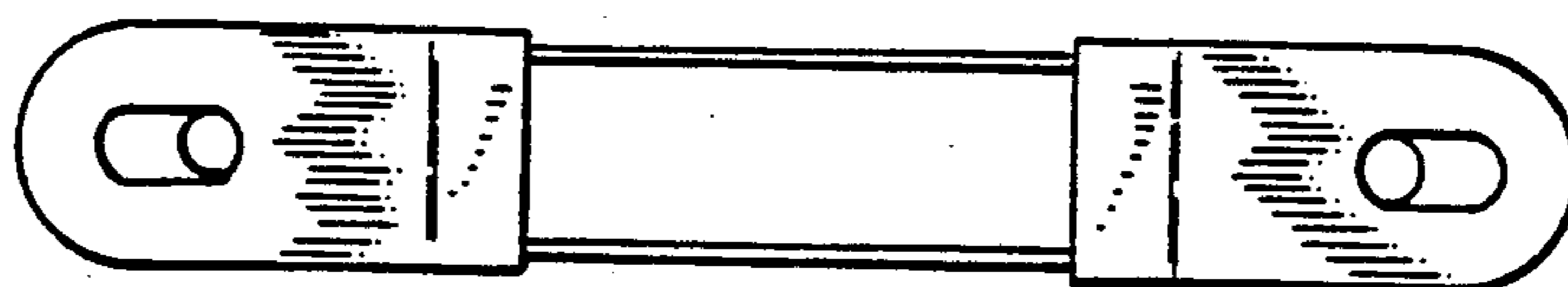


FIG. 4

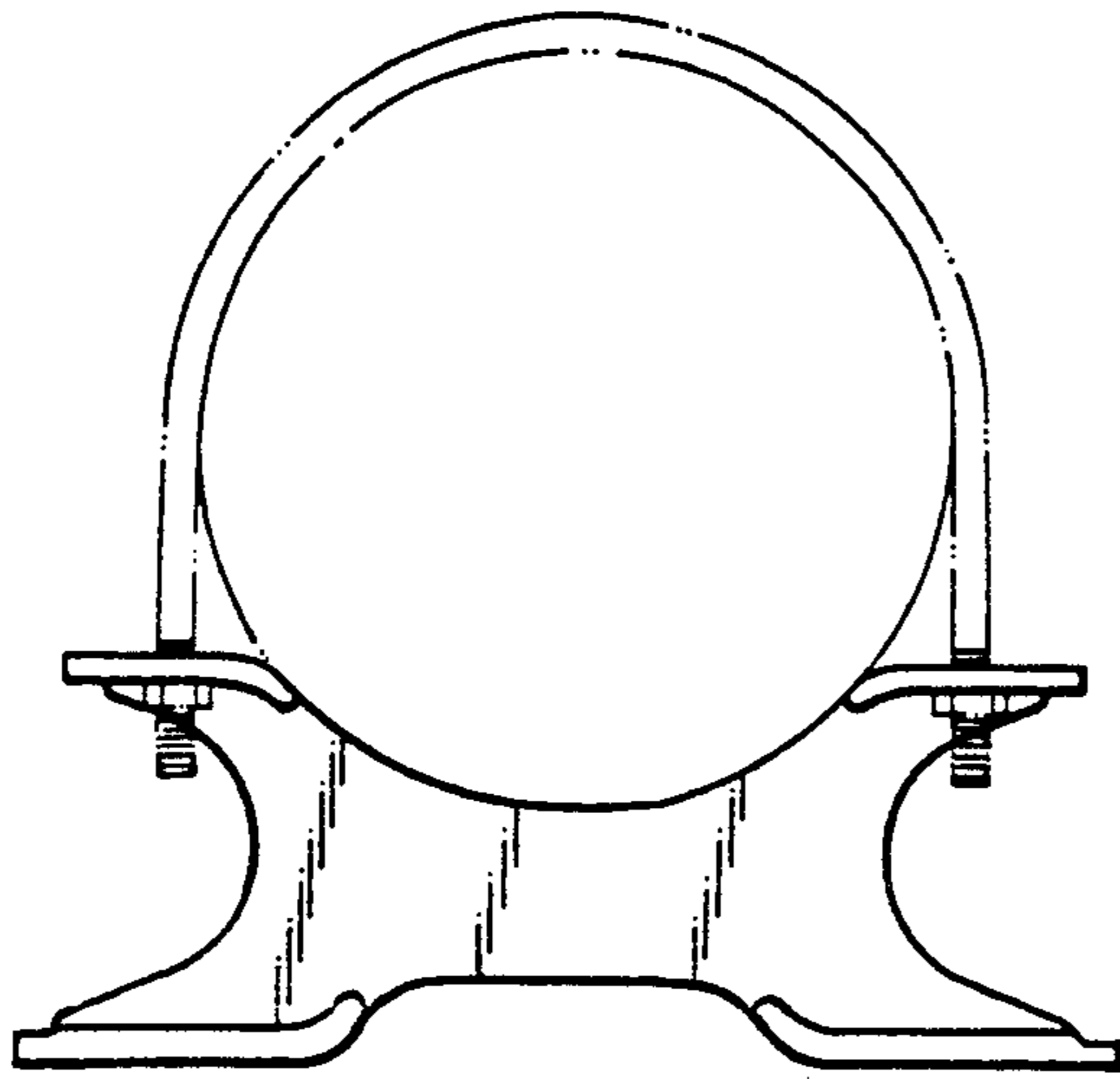


FIG. 6