

[54] CLOSET POLE HANGER

[76] Inventor: Lewis Specker, Jr., 10 Via Cheparro, Greenbrae, Calif. 94904

[**] Term: 14 Years

[21] Appl. No.: 284,866

[22] Filed: Dec. 14, 1988

[52] U.S. Cl. D8/380; D8/373

[58] Field of Search D8/373, 381, 380; 248/262, 251; D6/512, 549, 572

[56] References Cited

U.S. PATENT DOCUMENTS

D. 70,831	8/1926	Dlouhy	D8/381	X
D. 78,426	4/1929	Whincap	D8/381	X
D. 99,442	4/1936	Levy	D8/381	
D. 119,760	4/1940	Kopp	D6/572	
D. 244,006	4/1977	Vanderley	D8/381	X
D. 290,224	6/1987	Skinner	D8/381	
D. 290,931	7/1987	Powell	D8/380	X
2,859,879	11/1958	Rogers et al.	D8/381	X
3,104,086	9/1963	Salzmann	248/262	
3,157,225	11/1964	Freydberg et al.	248/262	X

OTHER PUBLICATIONS

New York Times: Article Re Shelf & Rod Support;

Stanley Hardware, Dept P1D, New Britain, Conn. 06050.

Reproduction of Generic Closet Clothes Pole Holder. Reproduction of Generic Closet Clothes Pole Holder in Use in a Closet.

Primary Examiner—Horace B. Fay, Jr. Attorney, Agent, or Firm—Townsend and Townsend

[57] CLAIM

The ornamental design for a closet pole hanger, as shown and described.

DESCRIPTION

FIG. 1 is a top plan view of a first embodiment of a closet pole hanger showing my new design;
 FIG. 2 is a front elevational view thereof;
 FIG. 3 is a left side elevational view thereof (the right side elevational view being a mirror image thereof);
 FIG. 4 is a rear elevational view thereof;
 FIG. 5 is a bottom plan view thereof;
 FIG. 6 is a top plan view of a second embodiment of a closet pole hanger showing my new design;
 FIG. 7 is a front elevational view thereof;
 FIG. 8 is a left side elevational view thereof (the right side elevational view being a mirror image thereof);
 FIG. 9 is a rear elevational view thereof;
 FIG. 10 is a bottom plana view thereof.

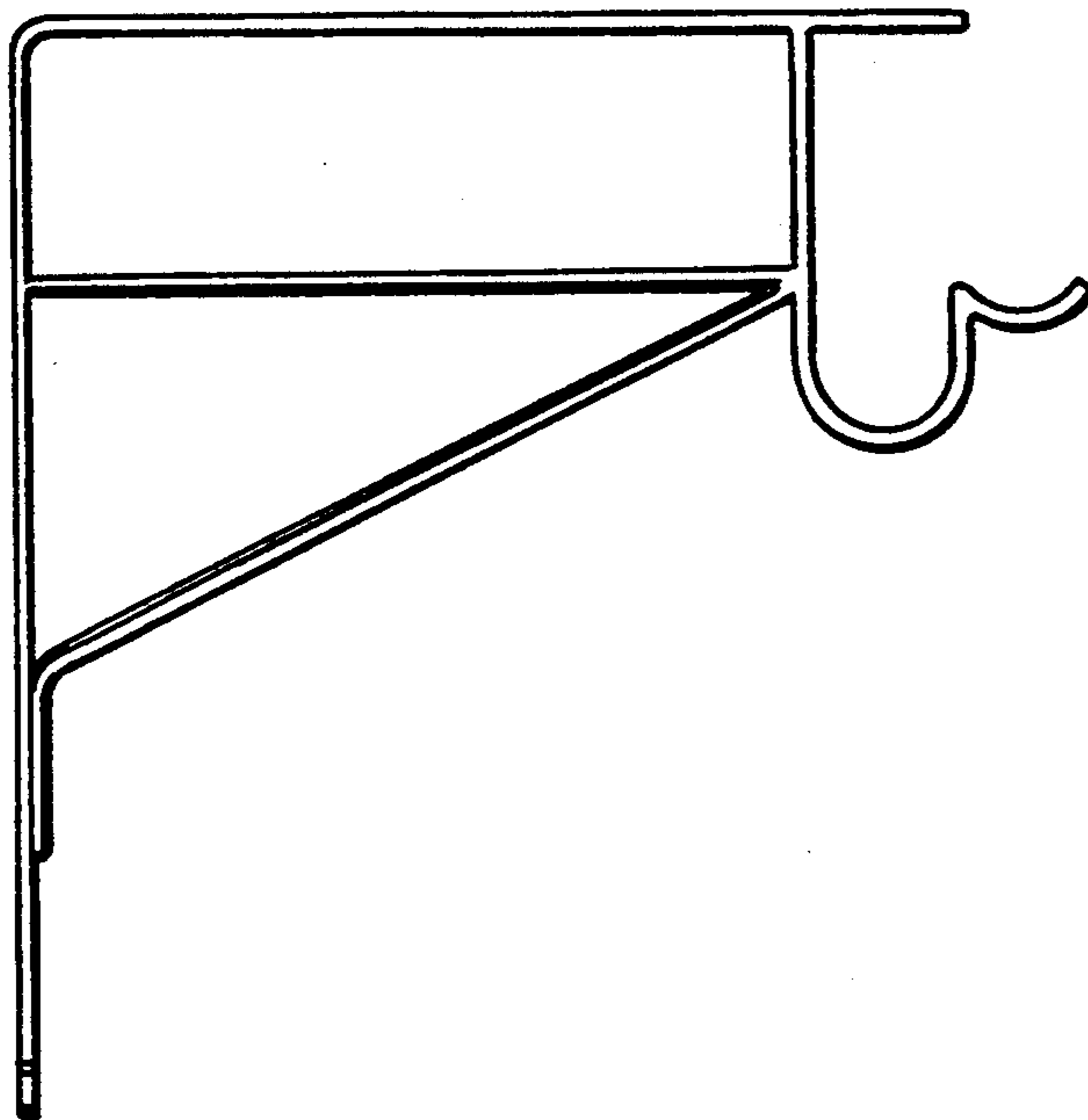




FIG. 5.



FIG. 1.



FIG. 4.

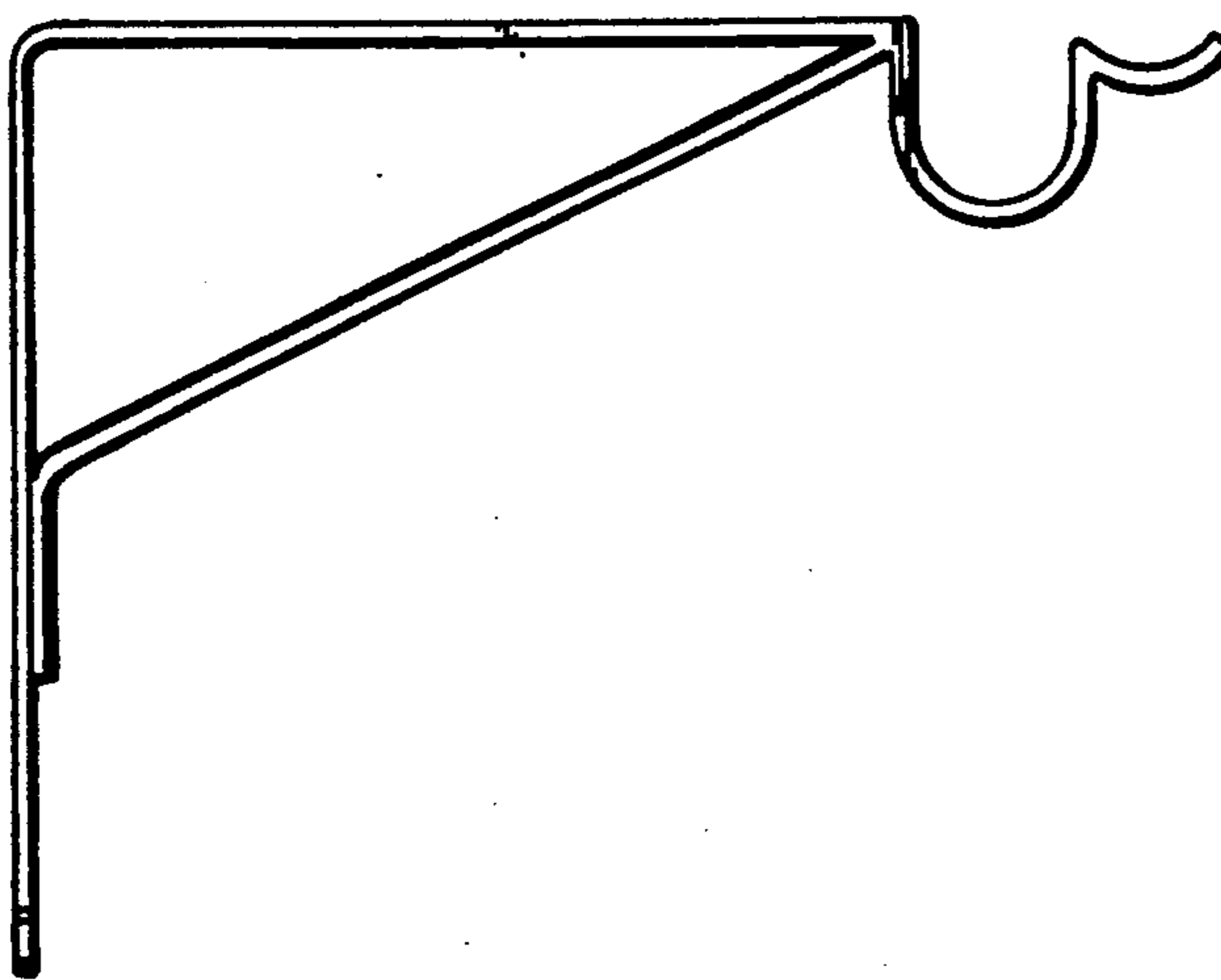


FIG. 3.



FIG. 2.



FIG. 10.



FIG. 6.



FIG. 9.

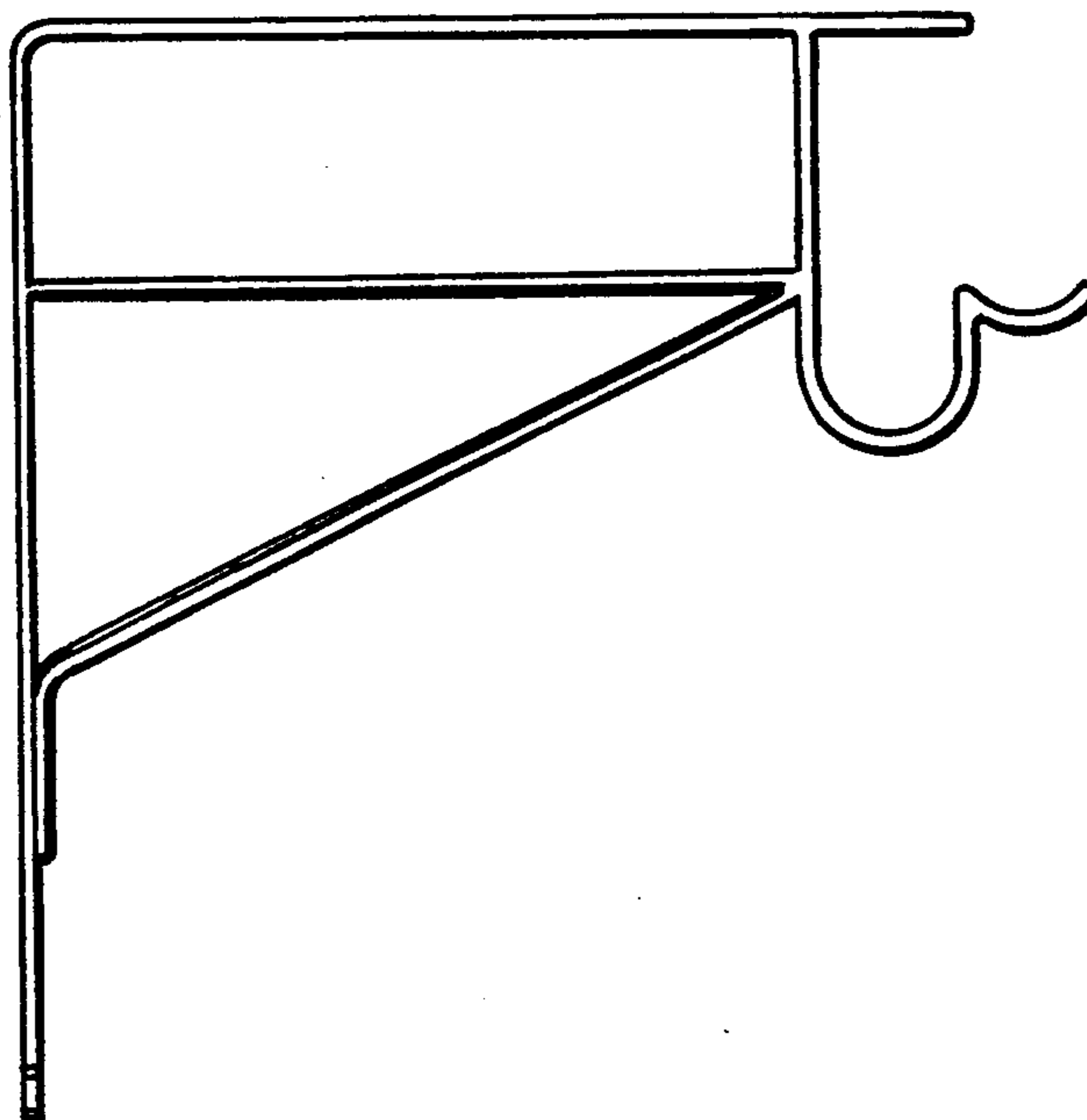


FIG. 8.



FIG. 7.