

[54] DOUBLE HOOK

[76] Inventors: Michael S. Joss, 911 W. Webster St., Chicago, Ill. 60614; Stanley P. Gresens, 2129 W. LeMoyne St., Chicago, Ill. 60622; Richard Fraker, 1751 Mansards Blvd., Griffith, Ind. 46319

[\*\*] Term: 14 Years

[21] Appl. No.: 139,941

[22] Filed: Dec. 31, 1987

[52] U.S. Cl. .... D8/367

[58] Field of Search ..... D8/370, 367, 372, 373; D6/512, 74, 545, 566; 248/303

[56] References Cited

U.S. PATENT DOCUMENTS

D. 204,021	3/1966	de Bachmann	.....	D8/370 X
D. 255,324	6/1980	Pierce	.....	D8/370 X
257,533	5/1882	Taylor	.....	248/303
540,044	5/1895	Carnell	.....	248/303
921,703	5/1909	Hubbard	.....	248/303
3,266,111	8/1966	Abel	.....	D8/370 X

FOREIGN PATENT DOCUMENTS

9236 of 1909 United Kingdom ..... 249/304

OTHER PUBLICATIONS

Exhibits A-1-A-4, inclusive: copies of previously submitted photographs.

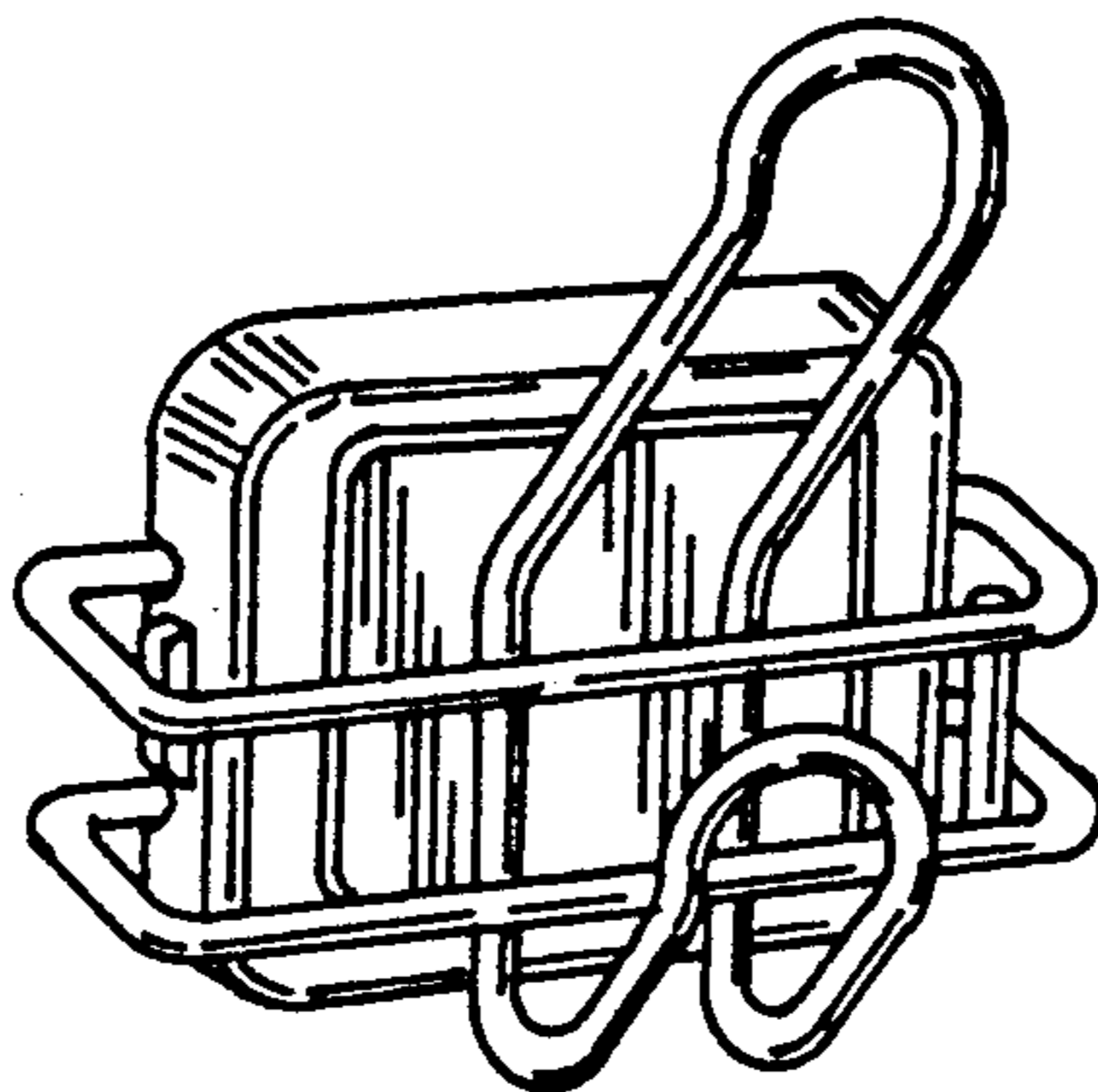
Primary Examiner—Horace B. Fay, Jr.

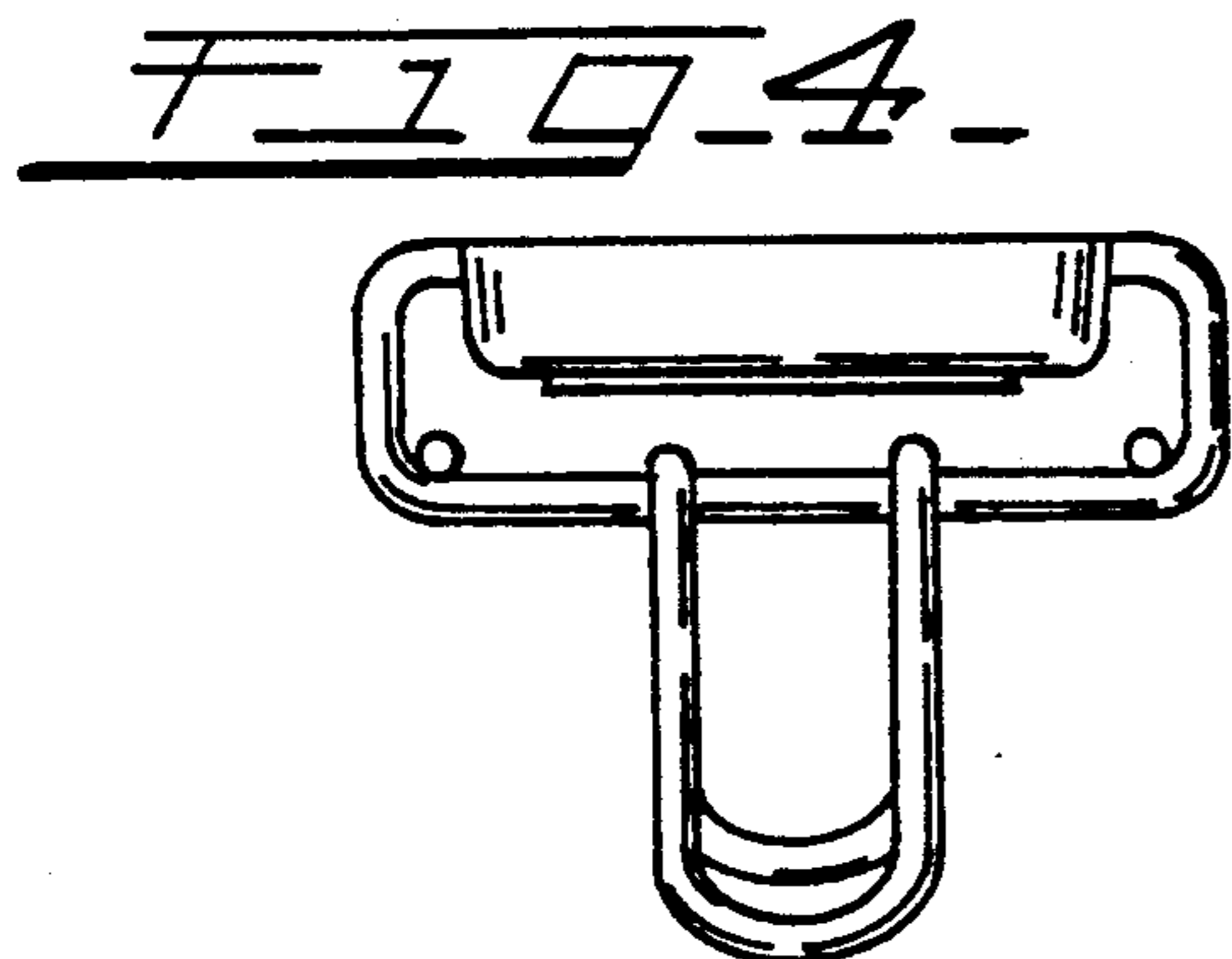
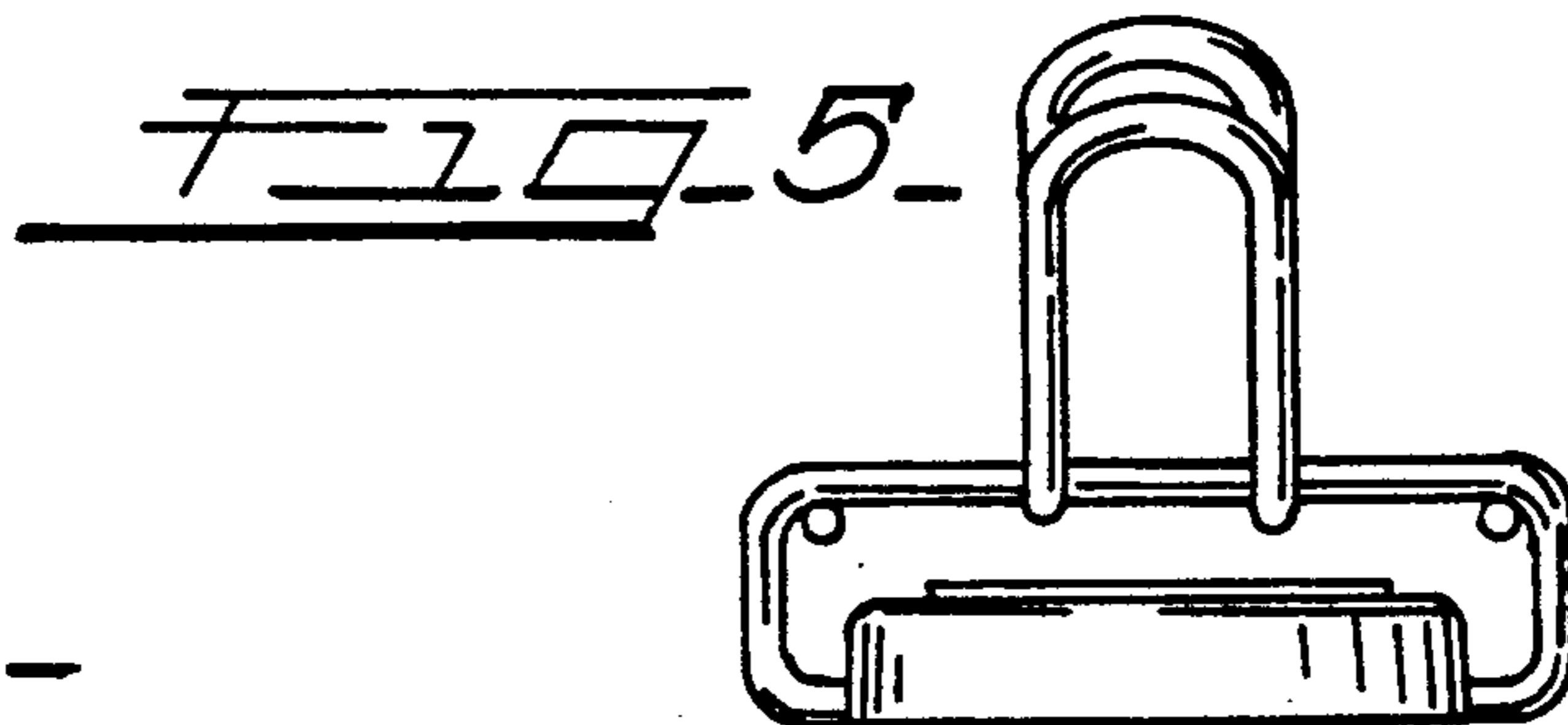
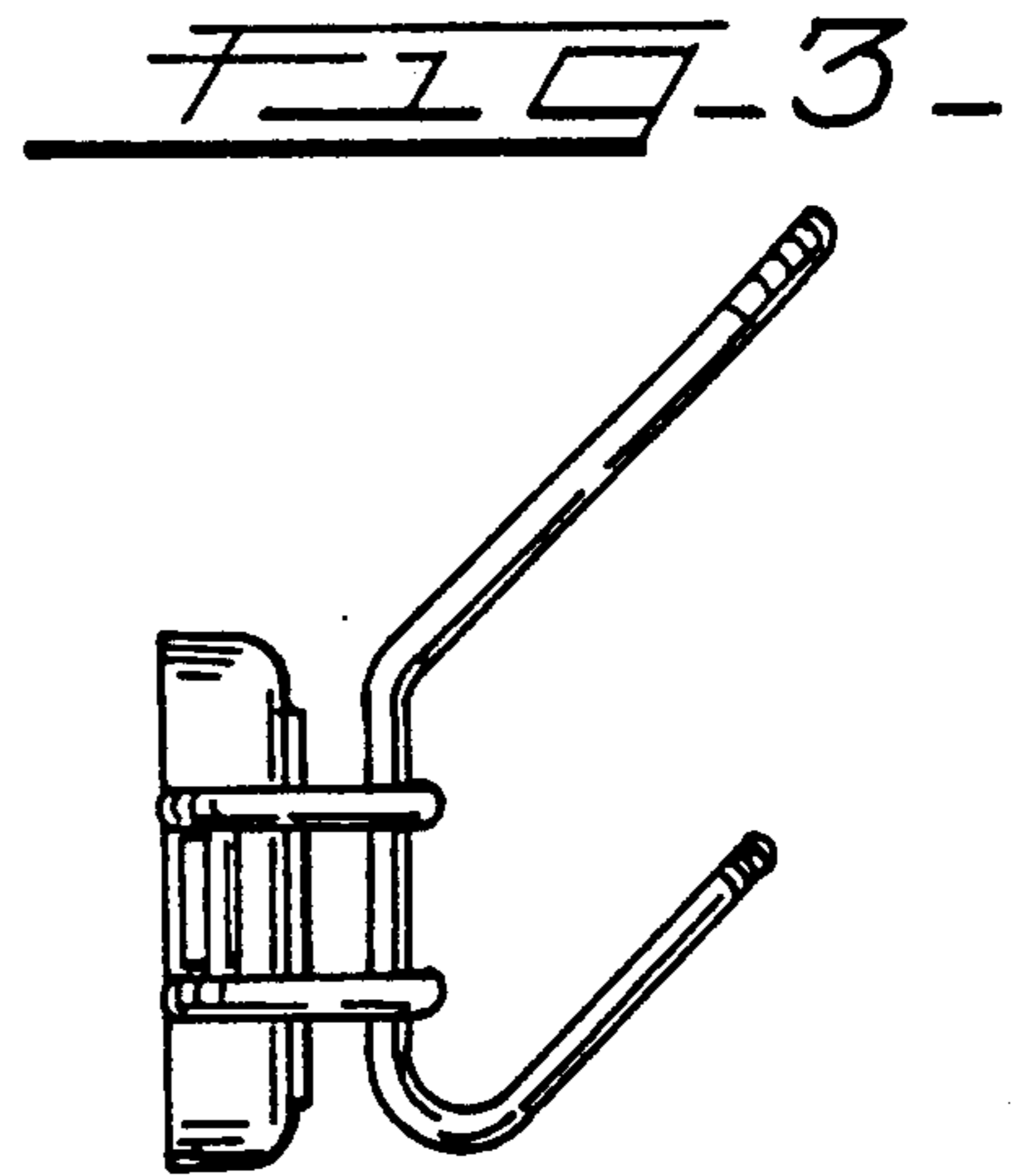
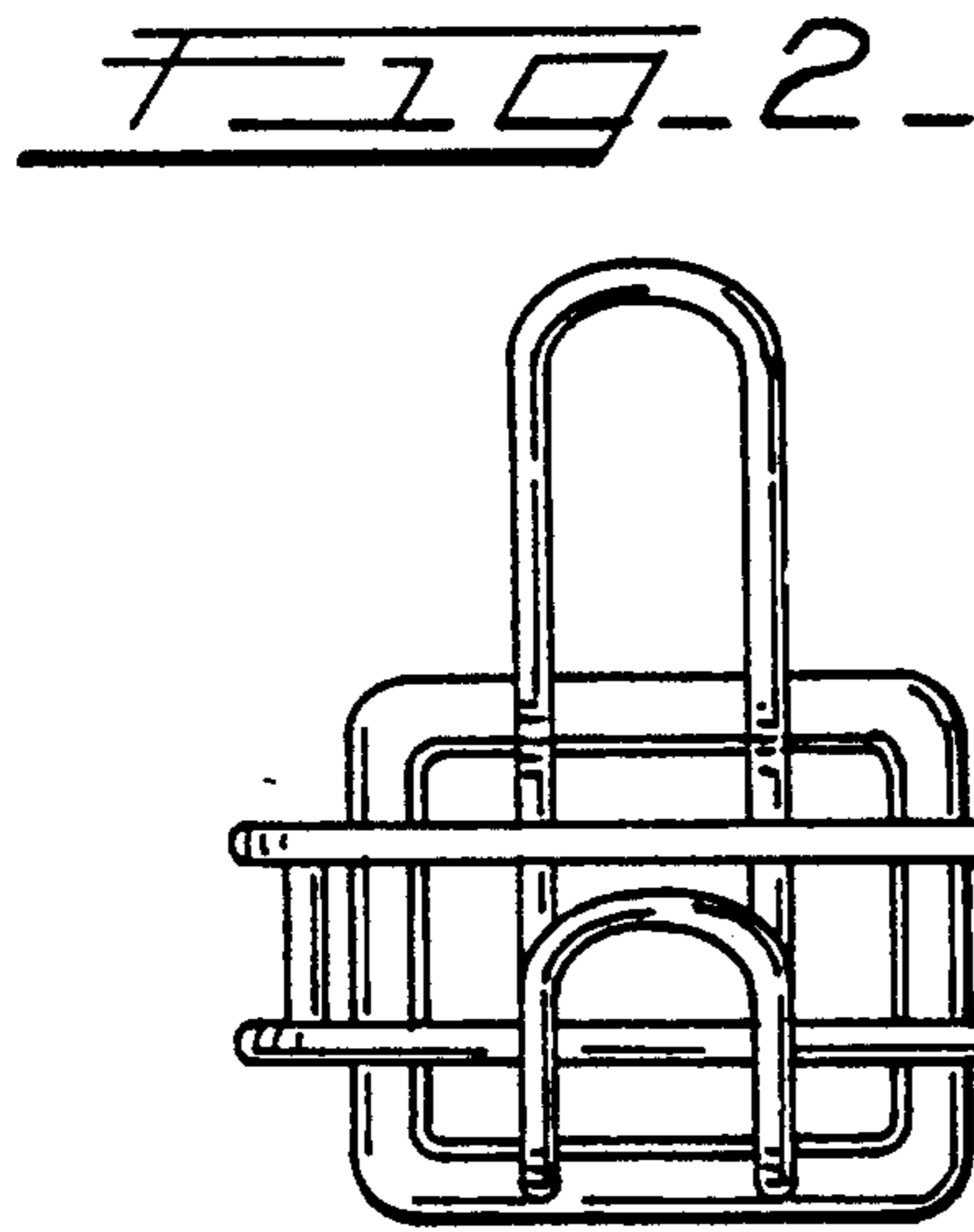
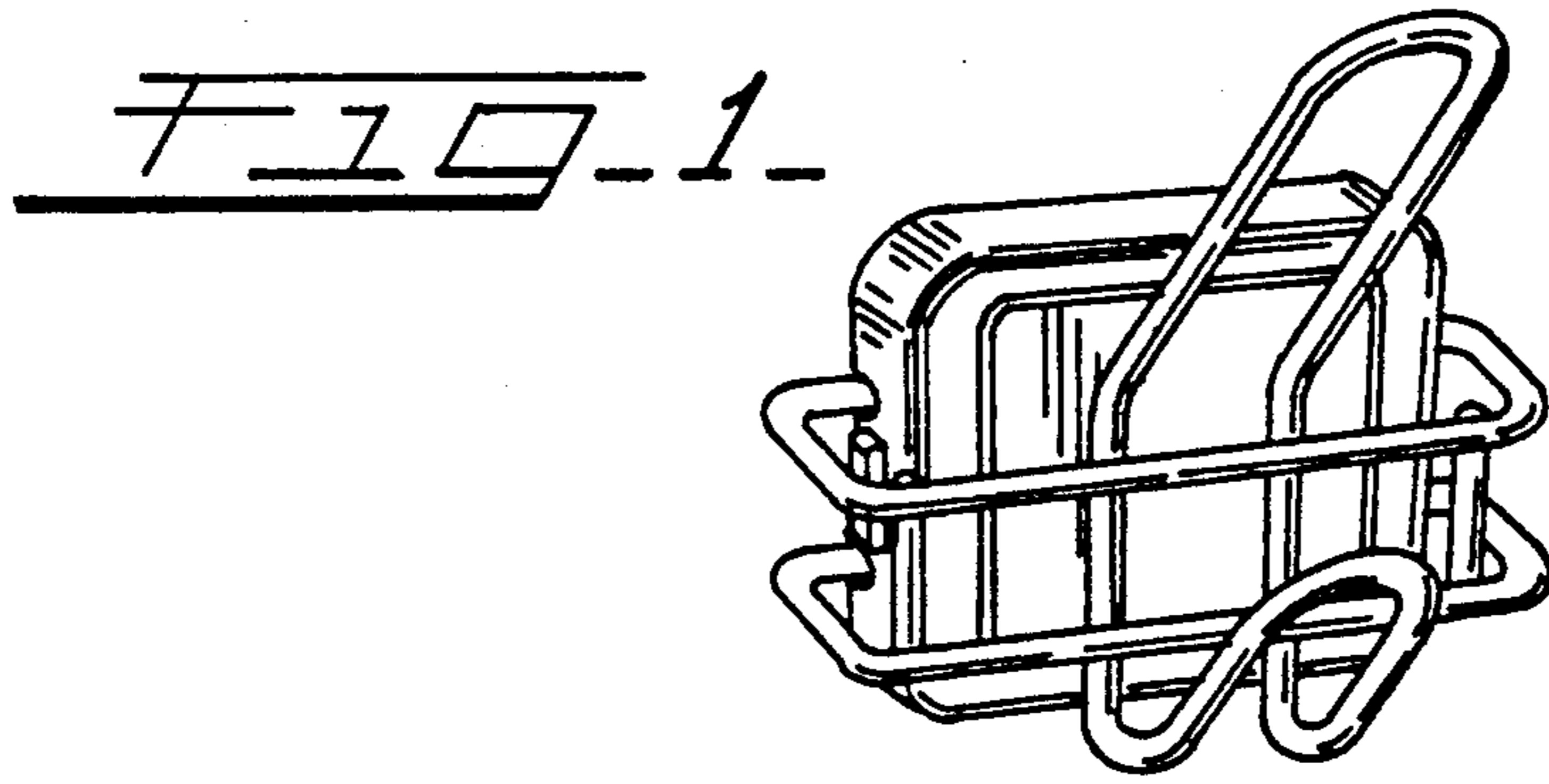
[57] CLAIM

The ornamental design for double hook, as shown and described.

DESCRIPTION

FIG. 1 is a perspective view of a double hook showing our new design;  
 FIG. 2 is a front elevational view thereof;  
 FIG. 3 is an end view thereof;  
 FIG. 4 is a top plan view thereof;  
 FIG. 5 is a bottom plan view thereof;  
 FIG. 6 is a perspective view of a second embodiment of our double hook design;  
 FIG. 7 is a front elevational view of the design illustrated in FIG. 6;  
 FIG. 8 is an end view of the design illustrated in FIG. 6;  
 FIG. 9 is a top plan view of the design illustrated in FIG. 6; and  
 FIG. 10 is a bottom plan view of the design illustrated in FIG. 6.  
 The rear of the mounting plate means is plain and unadorned.





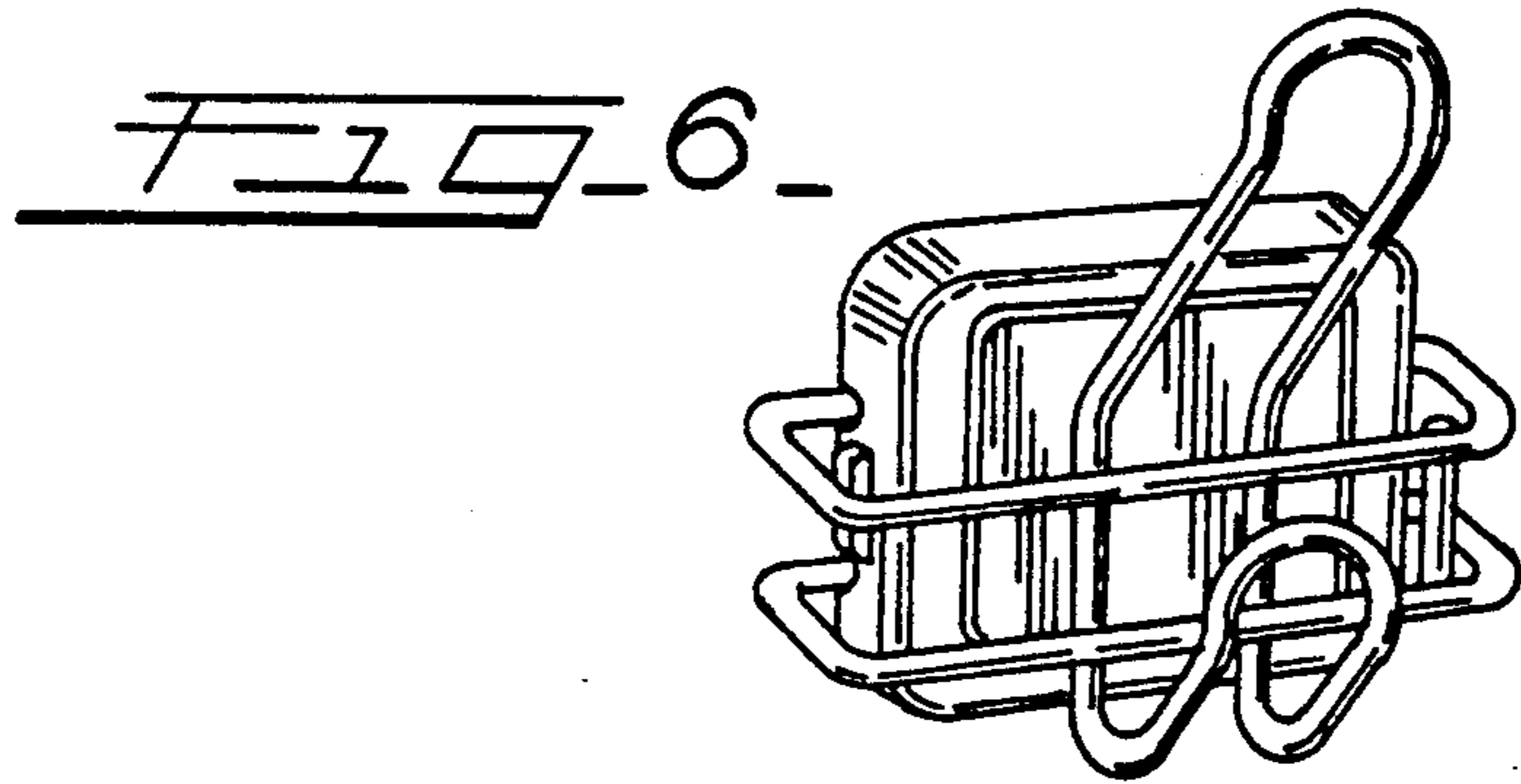


FIG. 7.

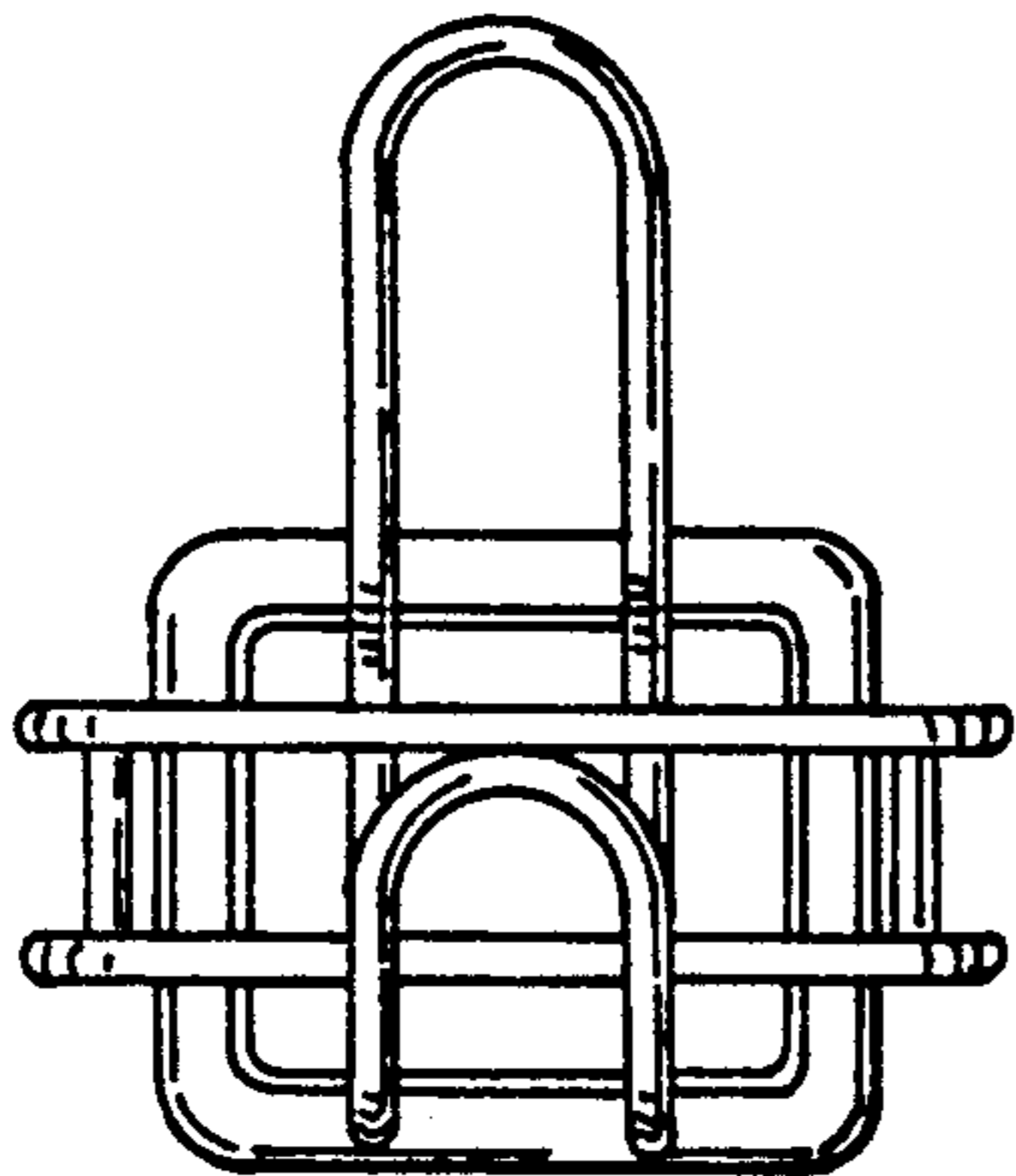


FIG. 8.

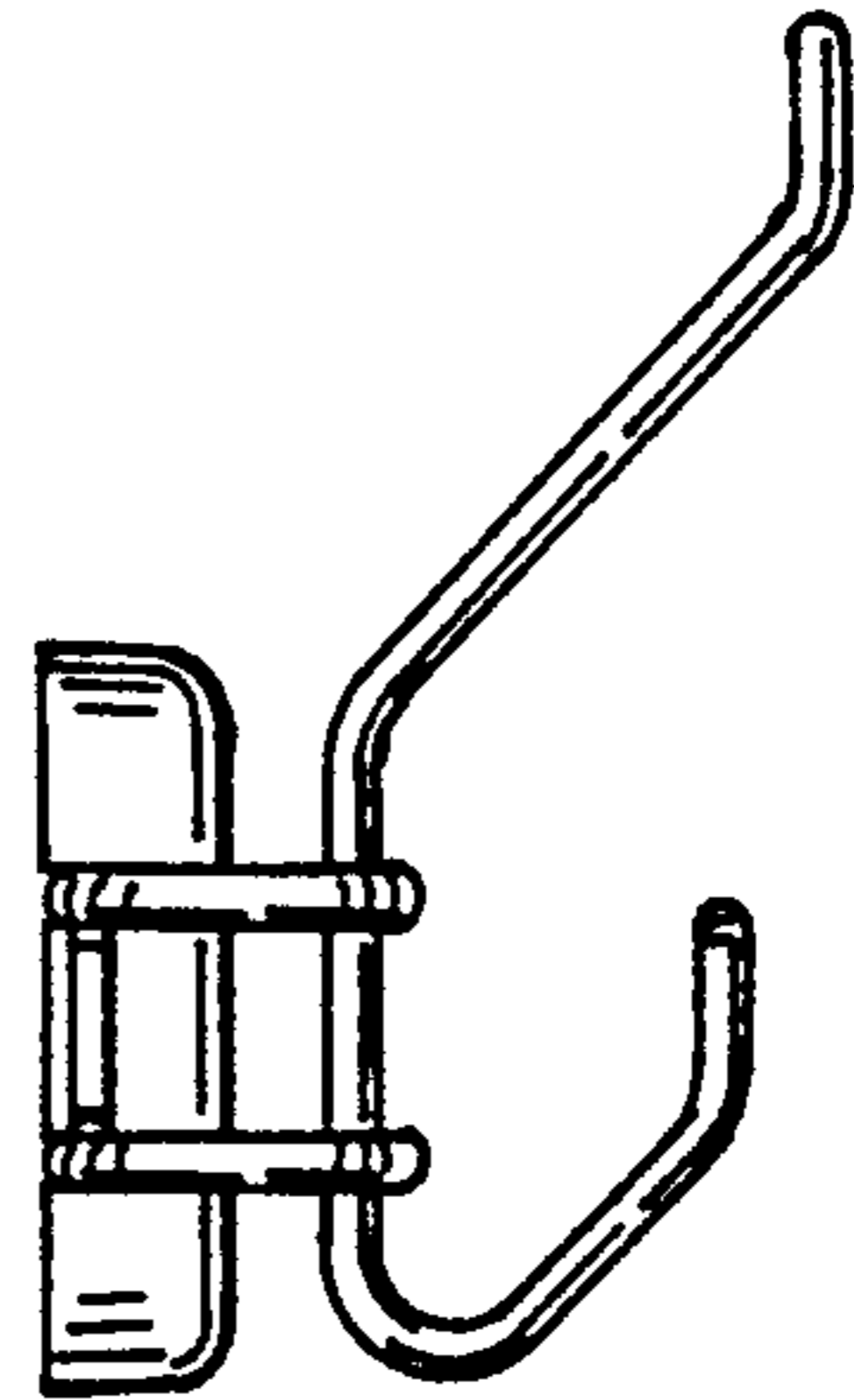


FIG. 10.

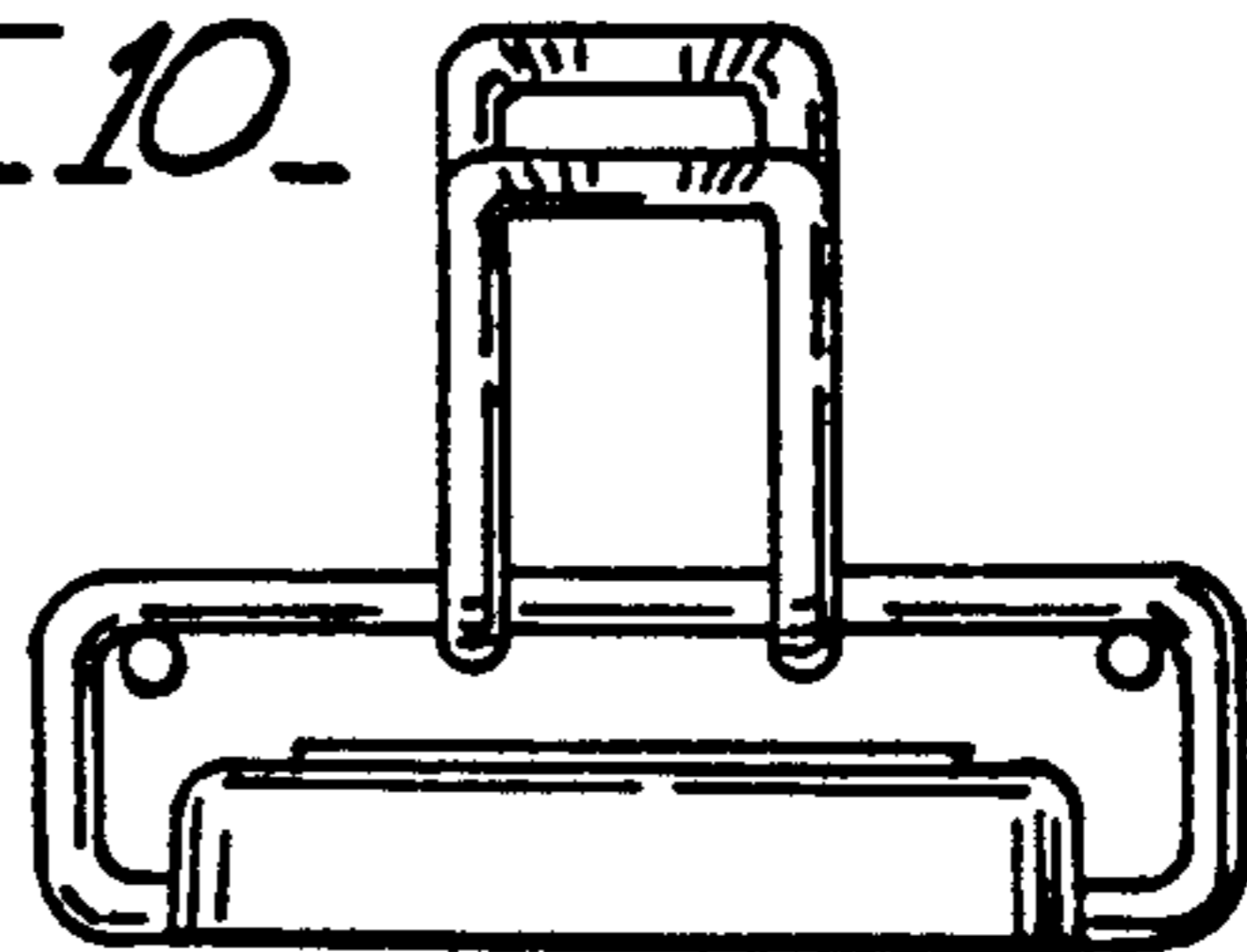


FIG. 9.

