

[54] **DOOR HANDLE**

[76] **Inventor:** Gianfranco Frattini, Via S. Agnese,
14, 20123 Milan, Italy

[*] **Notice:** The portion of the term of this patent
subsequent to Apr. 2, 2005 has been
disclaimed.

[**] **Term:** 14 Years

[21] **Appl. No.:** 233,344

[22] **Filed:** Aug. 17, 1988

[30] **Foreign Application Priority Data**

Mar. 4, 1988 [IT] Italy 2079/88[U]
[52] **U.S. Cl.** D8/308; D8/301
[58] **Field of Search** D8/300-302,
D8/307, 308, 352; 16/110 R, 111 R, 121, 124,
125

[56] **References Cited**

U.S. PATENT DOCUMENTS

D. 111,013 8/1938 Carlson D8/308
D. 260,478 9/1981 Belaiche D8/308

OTHER PUBLICATIONS

Omnia Industries, Inc. Cat.; p. 22; lever 368 (upper
right), p. 21; lever 34 (center bottom).
Omina Industries, Inc. Cat.; p. 21; lever 34 (center bot-
tom).

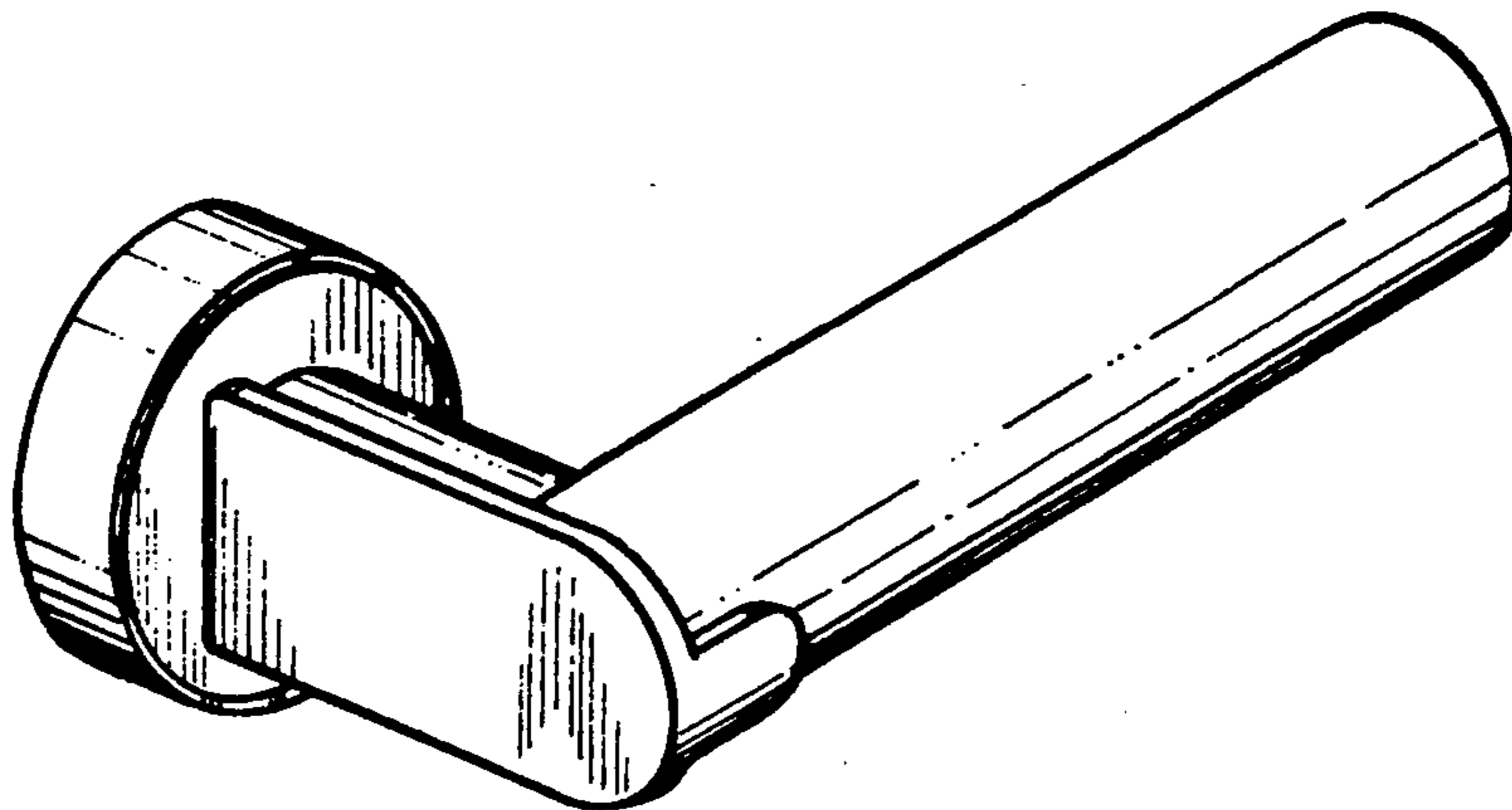
Primary Examiner—B. J. Bullock
Attorney, Agent, or Firm—Steinberg & Raskin

[57] **CLAIM**

The ornamental design for a door handle, as shown.

DESCRIPTION

FIG. 1 is a perspective view of a door handle showing
my new design;
FIG. 2 is a front view thereof;
FIG. 3 is a top view thereof;
FIG. 4 is a bottom view thereof;
FIG. 5 is a left side view thereof;
FIG. 6 is a right side view thereof;
FIG. 7 is a rear view thereof.



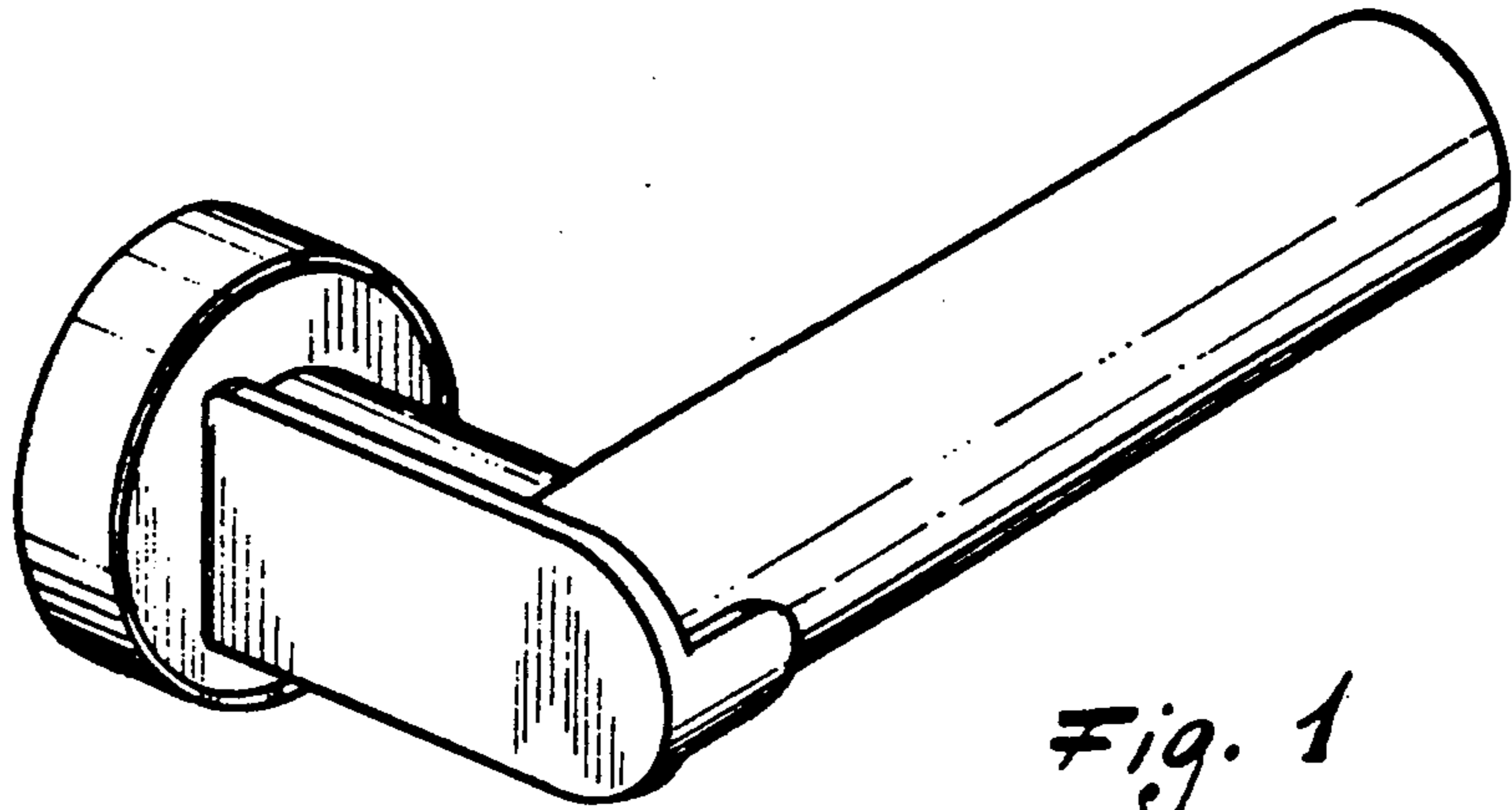


Fig. 1

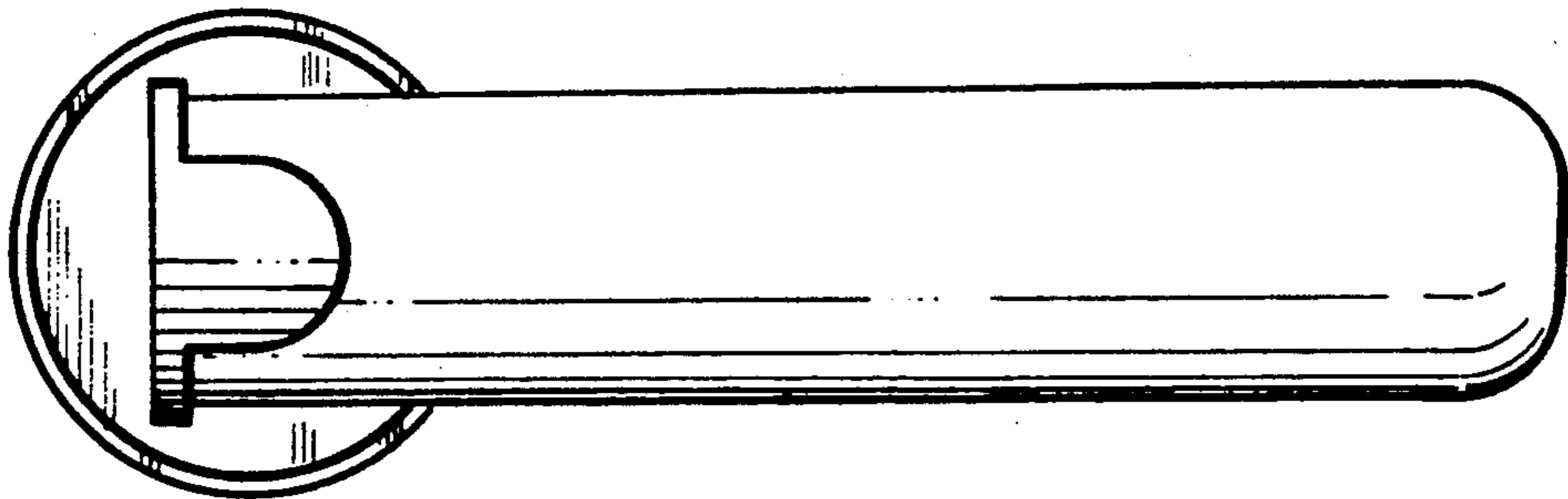


Fig. 2

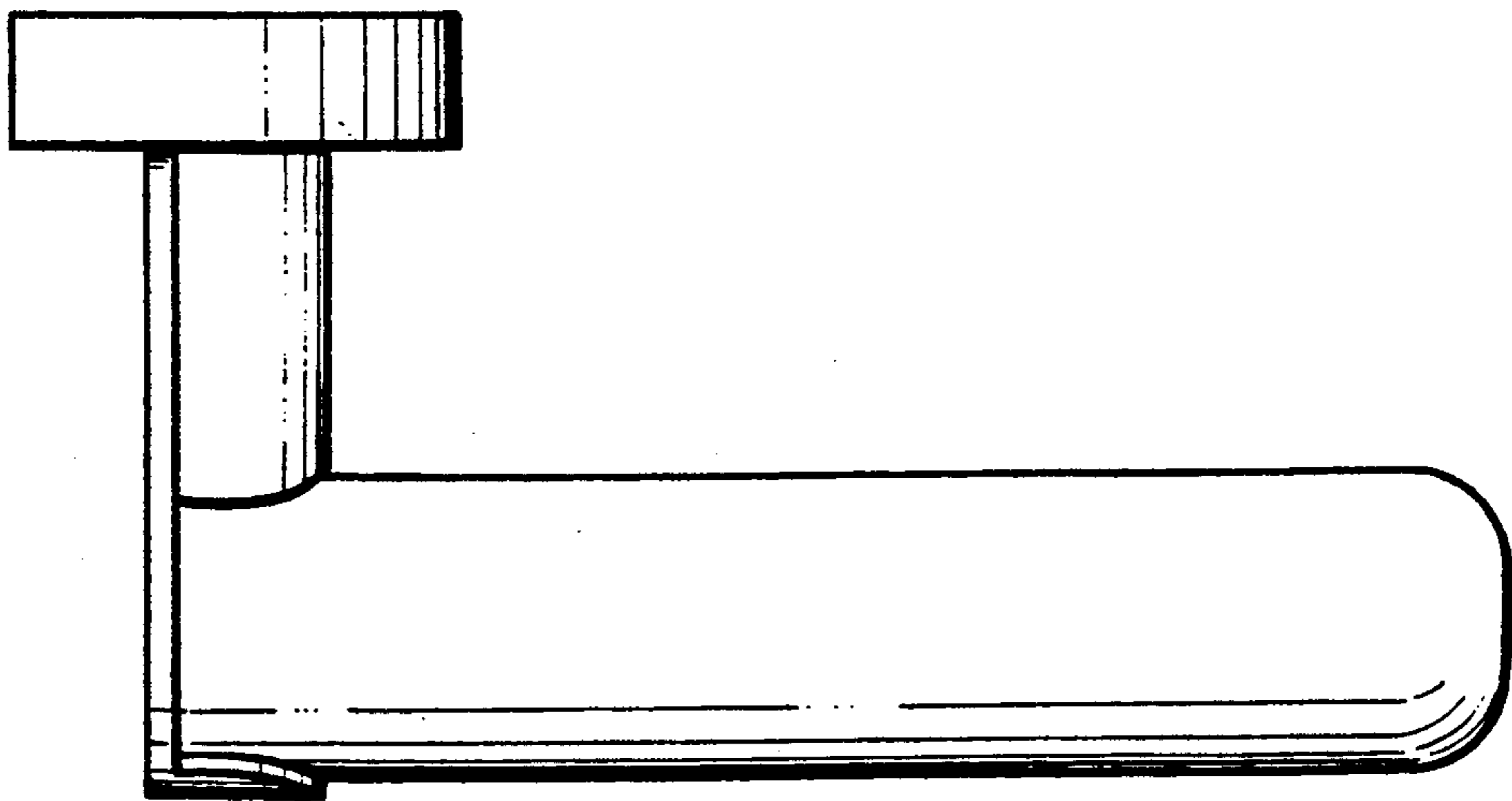


Fig. 3

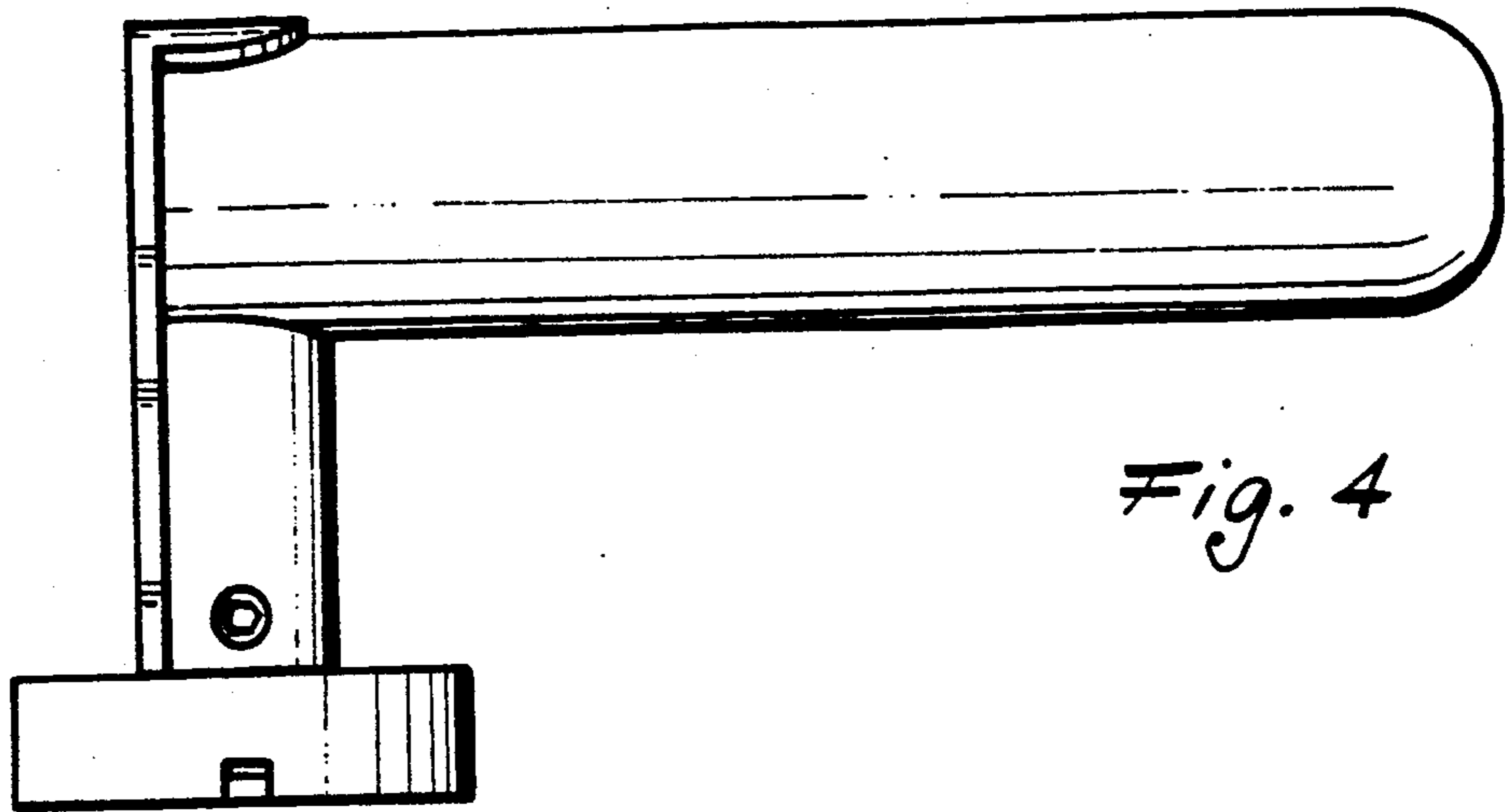


Fig. 4

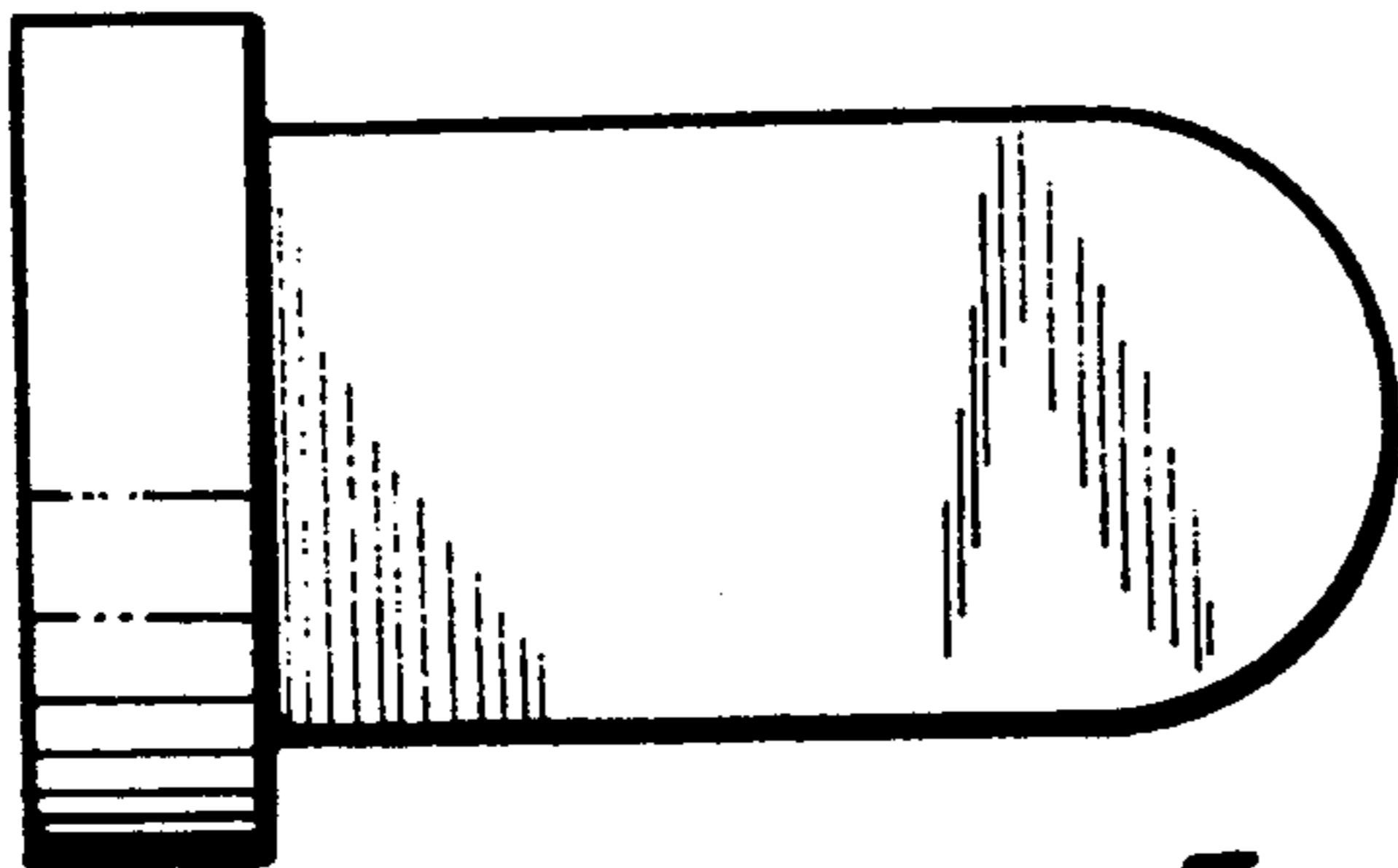


Fig. 5

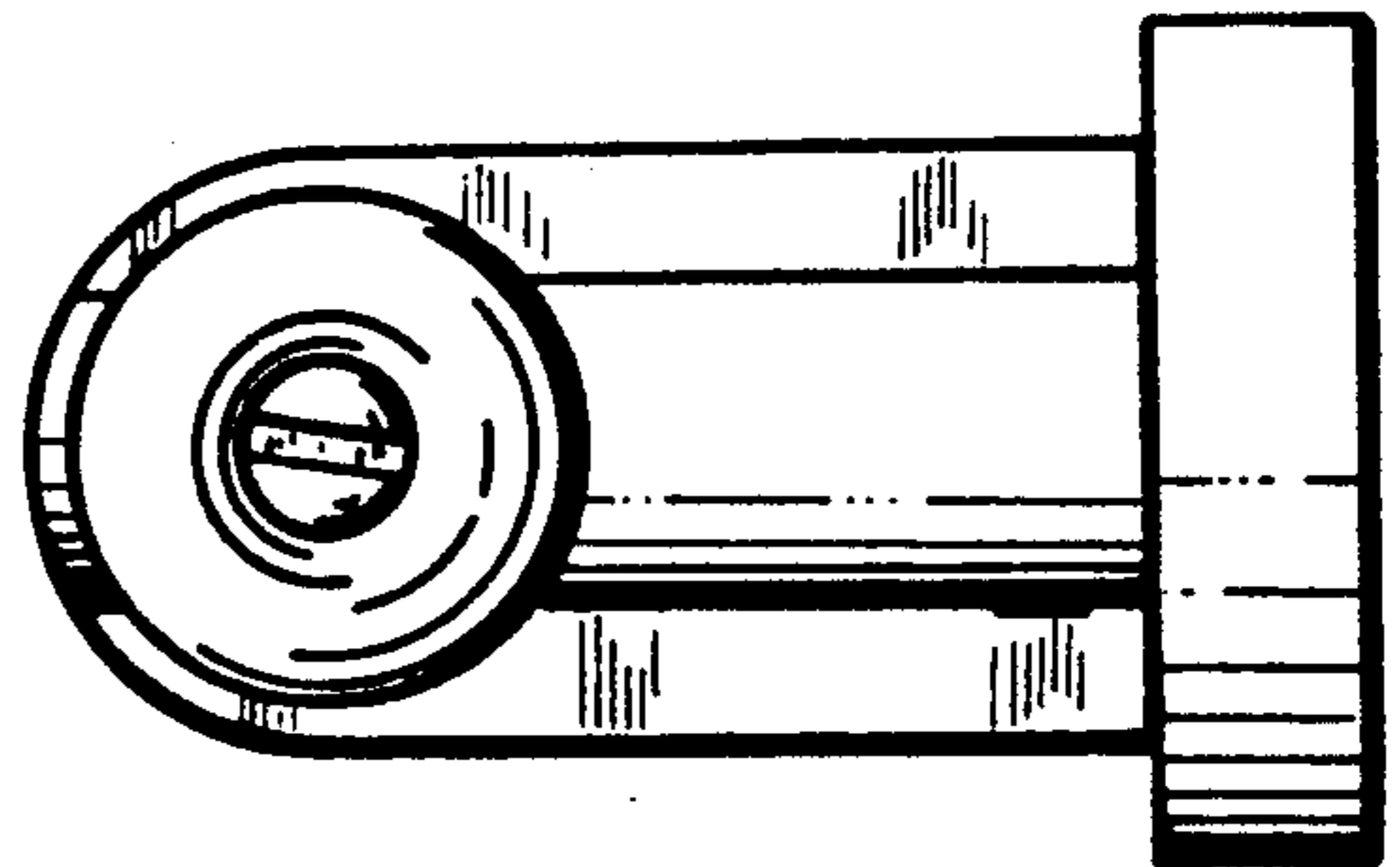


Fig. 6

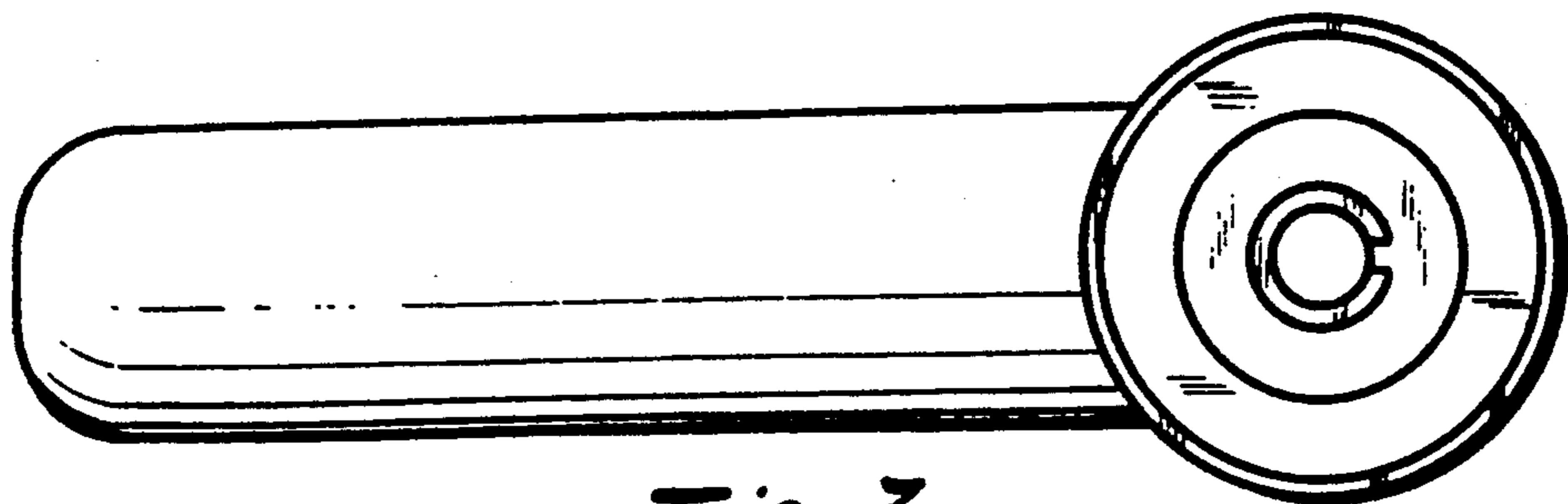


Fig. 7