

# United States Patent [19]

Frattini

[11] Patent Number: Des. 315,857

[45] Date of Patent: \*\* Apr. 2, 1991

[54] DOOR HANDLE

[76] Inventor: Gianfranco Frattini, Via S. Agnese, 14, 20123 Milan, Italy

[\*\*] Term: 14 Years

[21] Appl. No.: 233,342

[22] Filed: Aug. 17, 1988

[30] Foreign Application Priority Data

Mar. 29, 1988 [IT] Italy ..... 20973/88[U]

[52] U.S. Cl. .... D8/308; D8/301

[58] Field of Search ..... D8/300-302, D8/307, 308, 302; 16/110 R, 111 R, 121, 124, 125

[56] References Cited

U.S. PATENT DOCUMENTS

D. 111,013 8/1938 Carlson ..... D8/308

D. 260,478 9/1981 Belaiche ..... D8/308

OTHER PUBLICATIONS

Omniae Industries, Inc., Cat., p. 22, lever 368 (upper right); p. 32, lever 34 (center bottom).

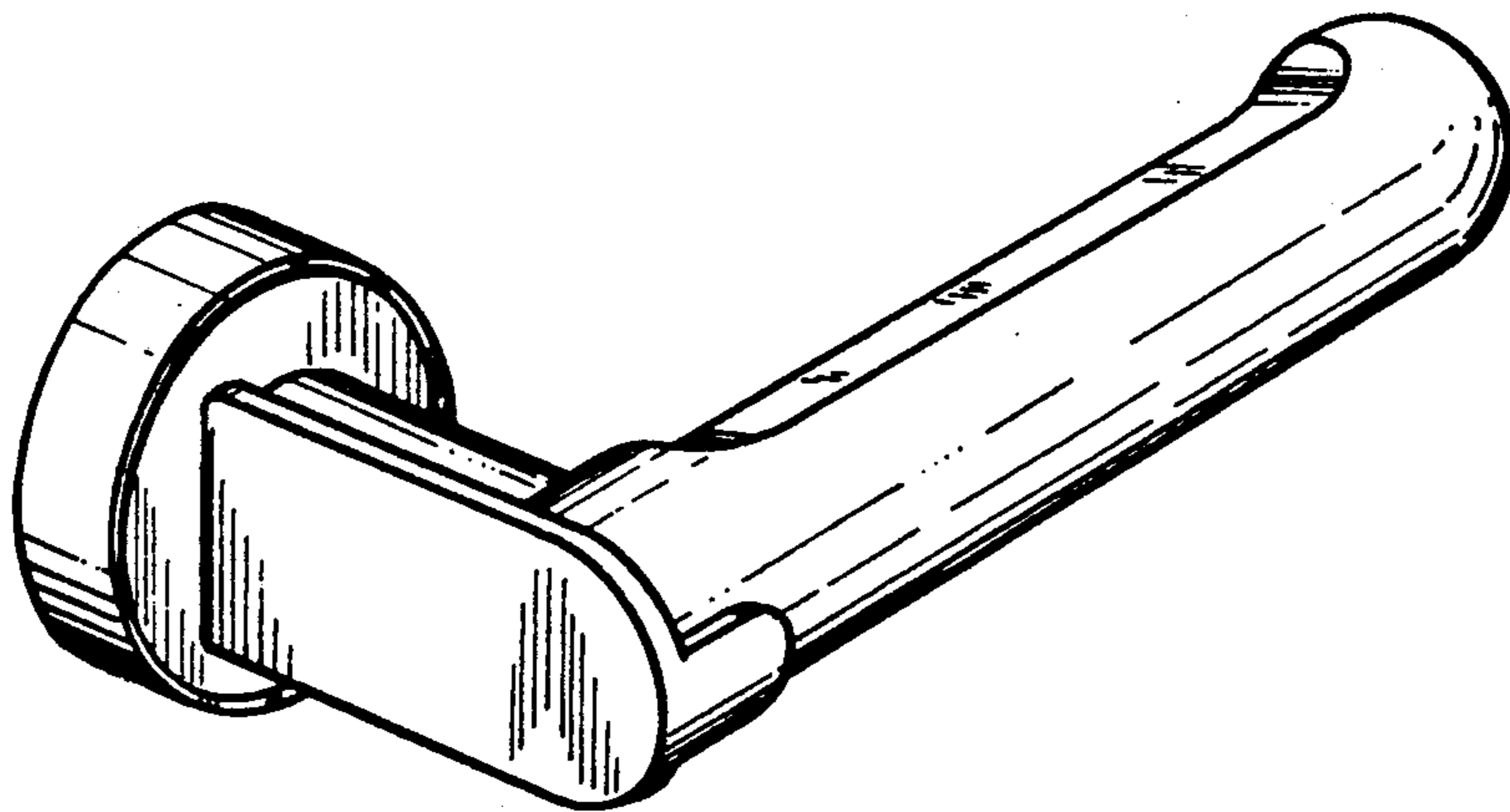
Primary Examiner—B. J. Bullock  
Attorney, Agent, or Firm—Steinberg & Raskin

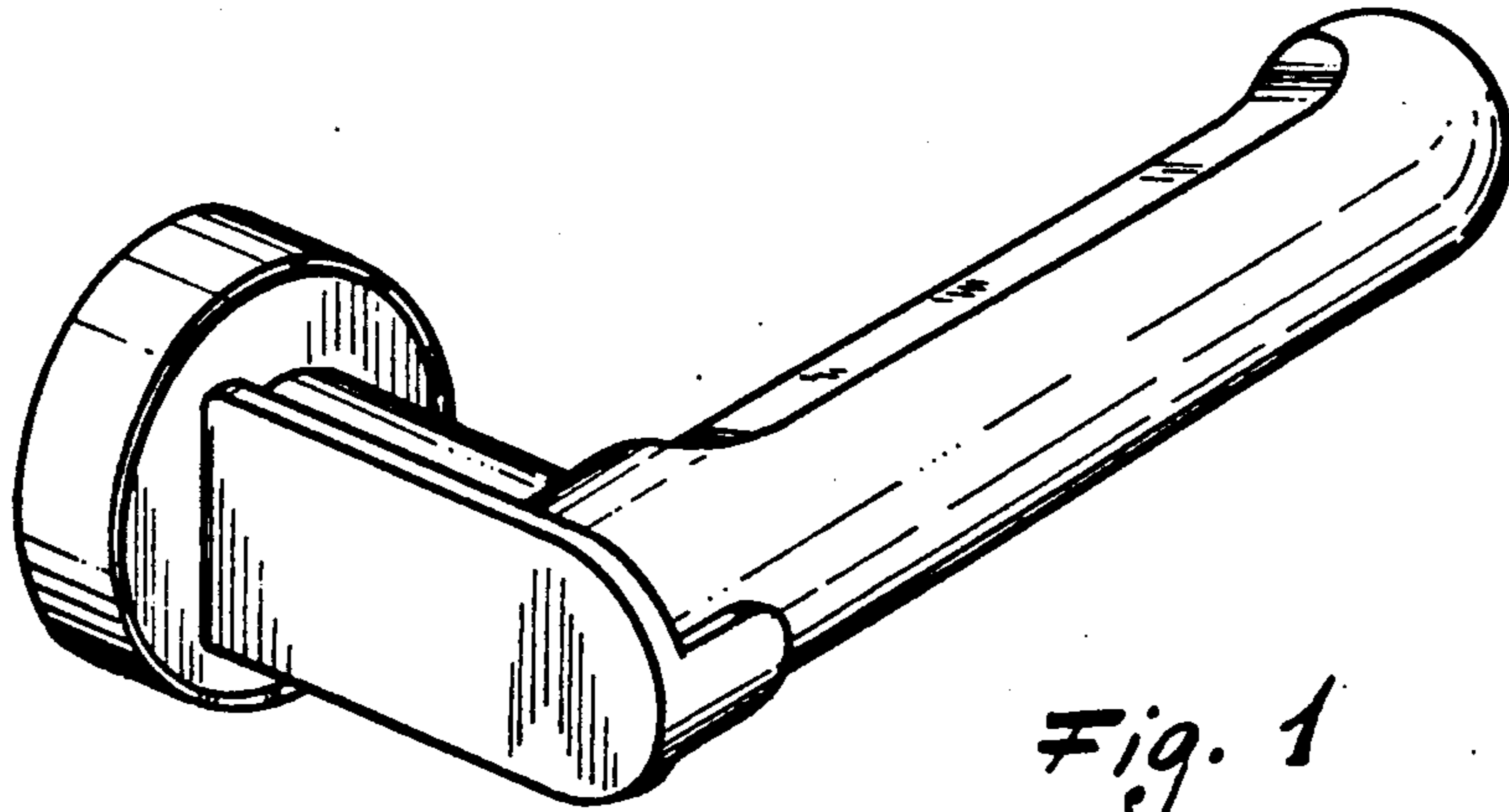
[57] CLAIM

The ornamental design for a door handle, as shown.

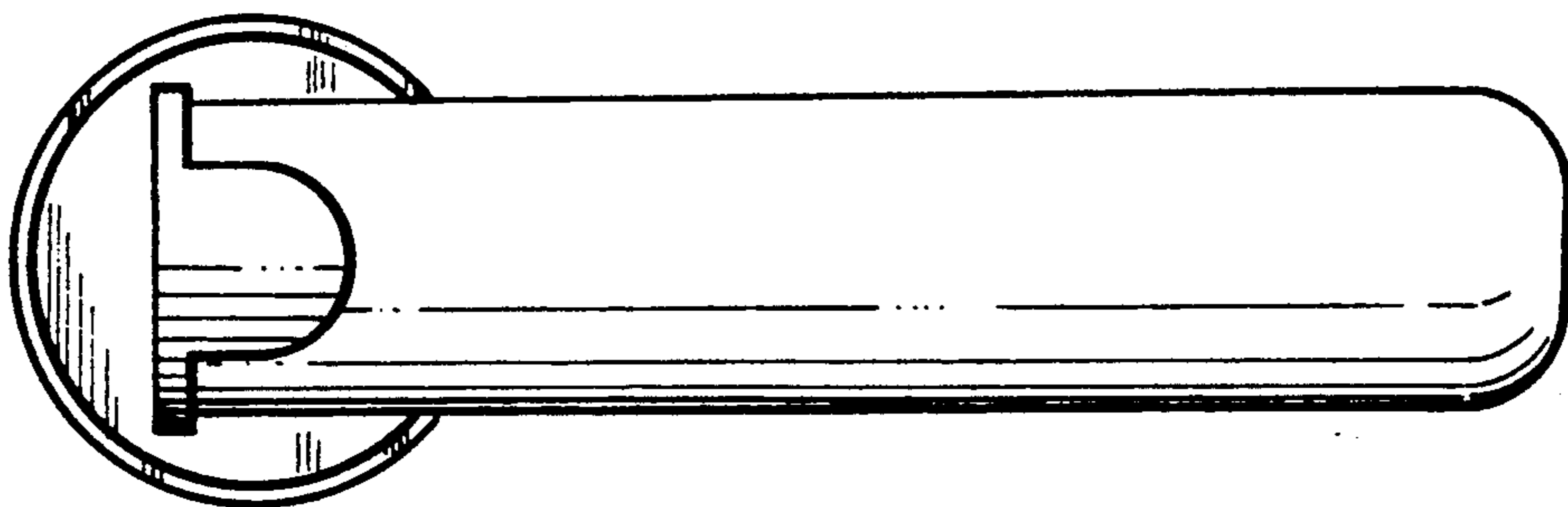
DESCRIPTION

FIG. 1 is a perspective view of a door handle showing my new design;  
FIG. 2 is a front view thereof;  
FIG. 3 is a top view thereof;  
FIG. 4 is a bottom view thereof;  
FIG. 5 is a left side view thereof;  
FIG. 6 is a right side view thereof;  
FIG. 7 is a rear view thereof;

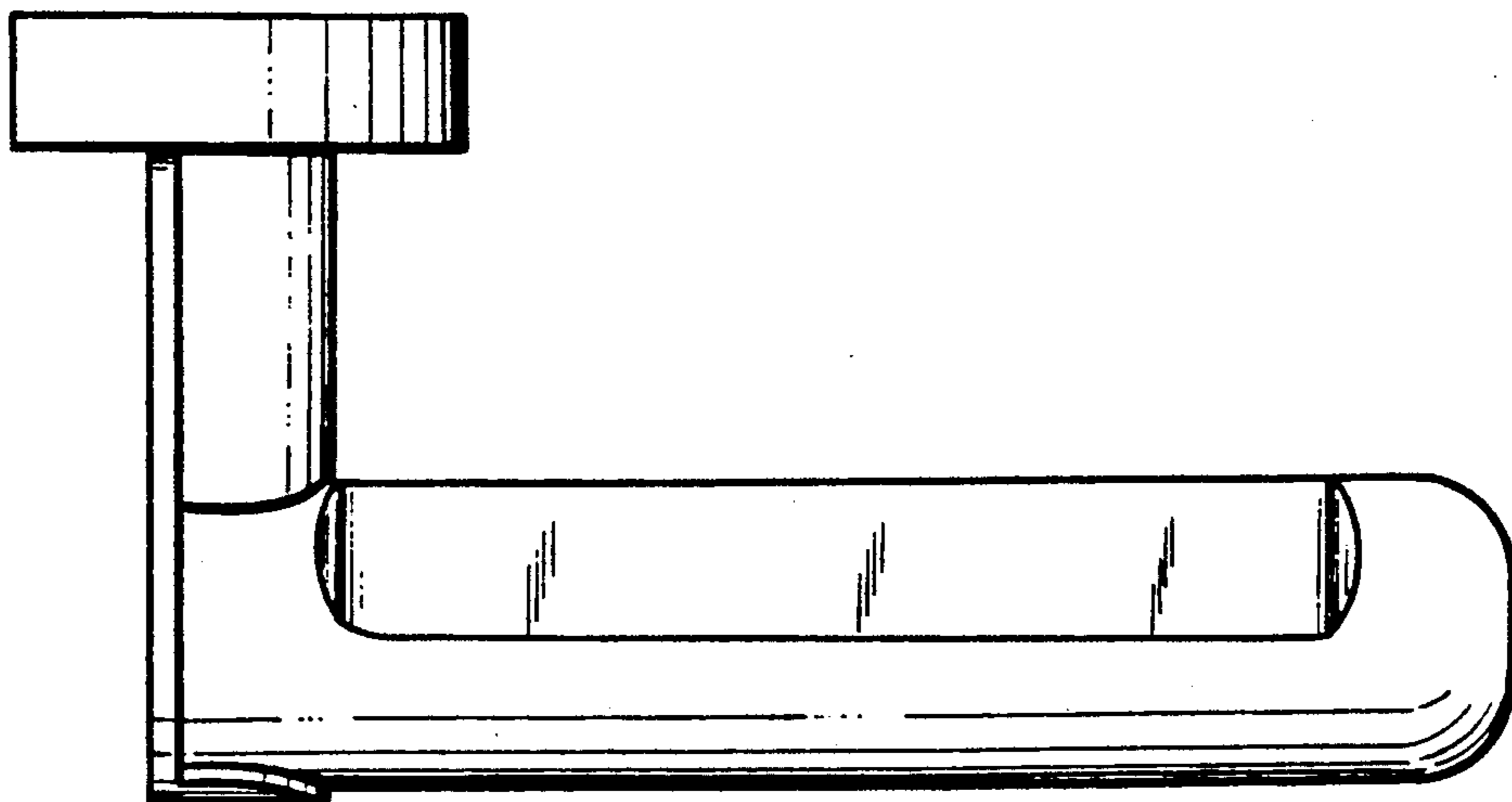




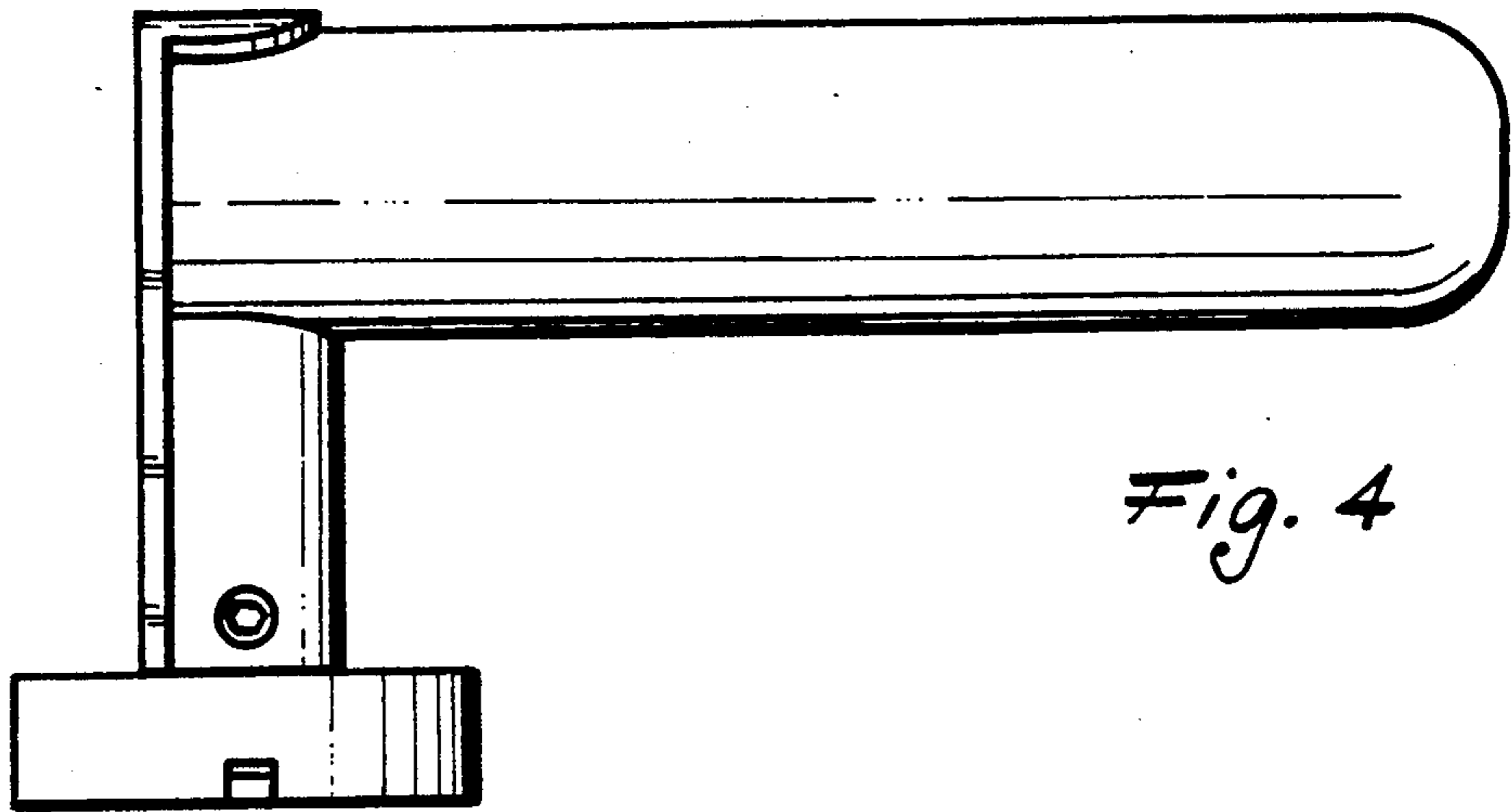
*Fig. 1*



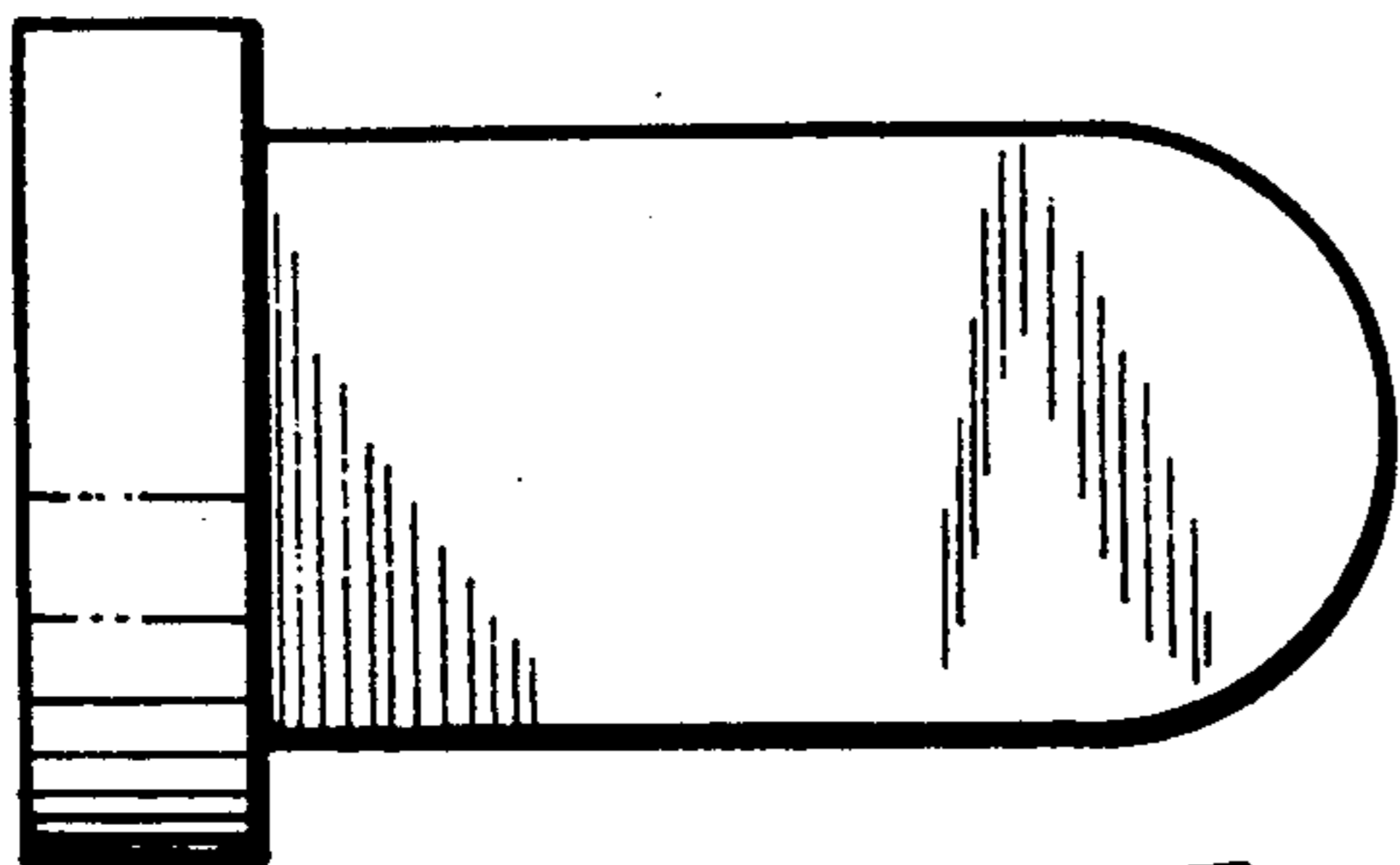
*Fig. 2*



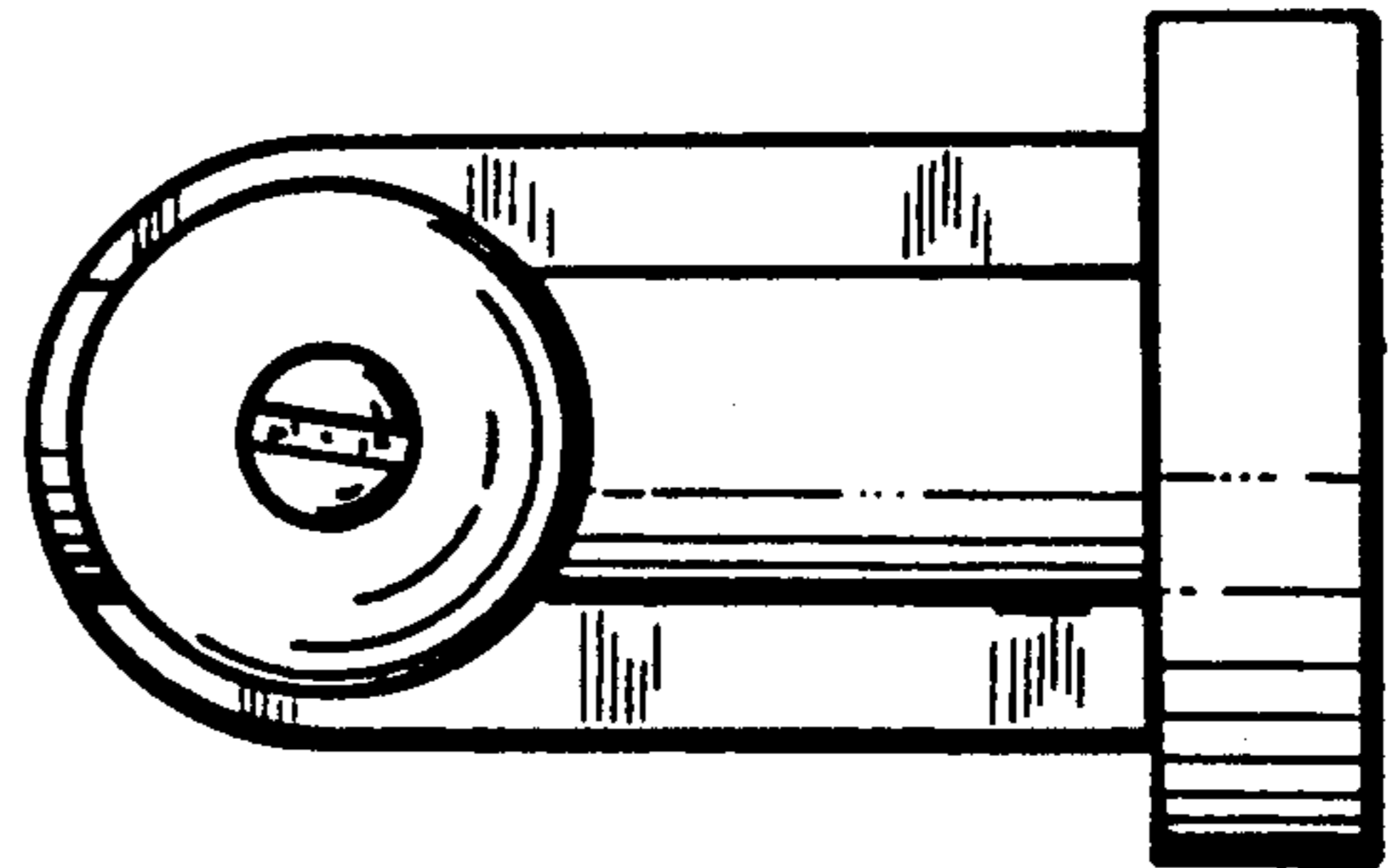
*Fig. 3*



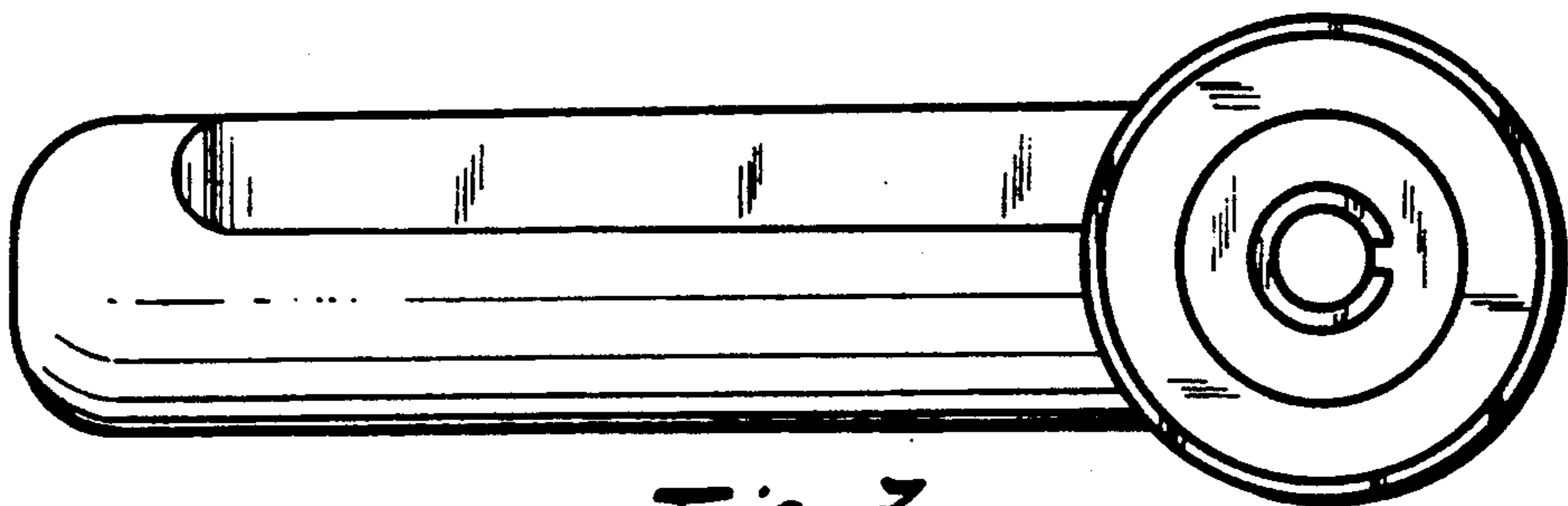
*Fig. 4*



*Fig. 5*



*Fig. 6*



*Fig. 7*