

[54] ELECTRIC SAW

[75] Inventors: Hideki Kawakami, Hiroshima; Kiyoshi Hoshino, Tokyo, both of Japan

[73] Assignee: Ryobi Ltd., Hiroshima, Japan

[**] Term: 14 Years

[21] Appl. No.: 103,568

[22] Filed: Oct. 1, 1987

[30] Foreign Application Priority Data

Apr. 2, 1987 [JP] Japan 62-12900

[52] U.S. Cl. D8/66; D8/67; D8/68; D8/69

[58] Field of Search D8/61-70; 30/370, 374, 375, 376, 388, 390, 391

[56] References Cited

U.S. PATENT DOCUMENTS

- D. 281,663 12/1985 Tsuru et al. D8/66
- 3,447,577 6/1969 Burrows et al. 30/377
- 4,245,390 1/1981 Bond 30/374 X
- 4,787,145 11/1988 Klicker et al. 30/388 X

FOREIGN PATENT DOCUMENTS

1199964 9/1965 Fed. Rep. of Germany 30/391

OTHER PUBLICATIONS

Black & Decker Power Tools and Accessories Catalog, ©1985, p. 69, Worm-drive Circular Saw Model No. 3051, center panel.

Ski Power Tools, Catalog, p. 18, upper right corner, Worm-drive Saws Model Nos. 367, 77 and 825.

Milwaukee Heavy Duty Electric Tools, Catalog #184, p. 64 Heavy Duty Worm-drive Saws.

Skil Corp., Ltd. 1982 Catalog, p. 17, Under "Super Duty Worm Drive Saws".

Primary Examiner—Winifred E. Herrmann

Assistant Examiner—John Warchol

Attorney, Agent, or Firm—Sughrue, Mion, Zinn, Macpeak & Seas

[57] CLAIM

The ornamental design for an electric saw, as shown and described.

DESCRIPTION

FIG. 1 is a front, top and right side perspective view of an electric saw showing our new design;

FIG. 2 is a right side elevational view thereof;

FIG. 3 is a left side elevational view thereof;

FIG. 4 is a top plan view thereof;

FIG. 5 is a bottom plan view thereof;

FIG. 6 is a front elevational view thereof; and

FIG. 7 is a rear elevational view thereof.

The characteristic feature of the design resides in the existence of four parallel, thin slits in the semicircular saw cover which are sized to and complement (1) the ribs at the rear portion of the gear case and motor housing, (2) transverse slots within the front and along the side of the motor housing, and (3) ribs on the front oblique portion of the continuous loop handle in front of the rearwardly spaced, parallel oblique handle grip portion.

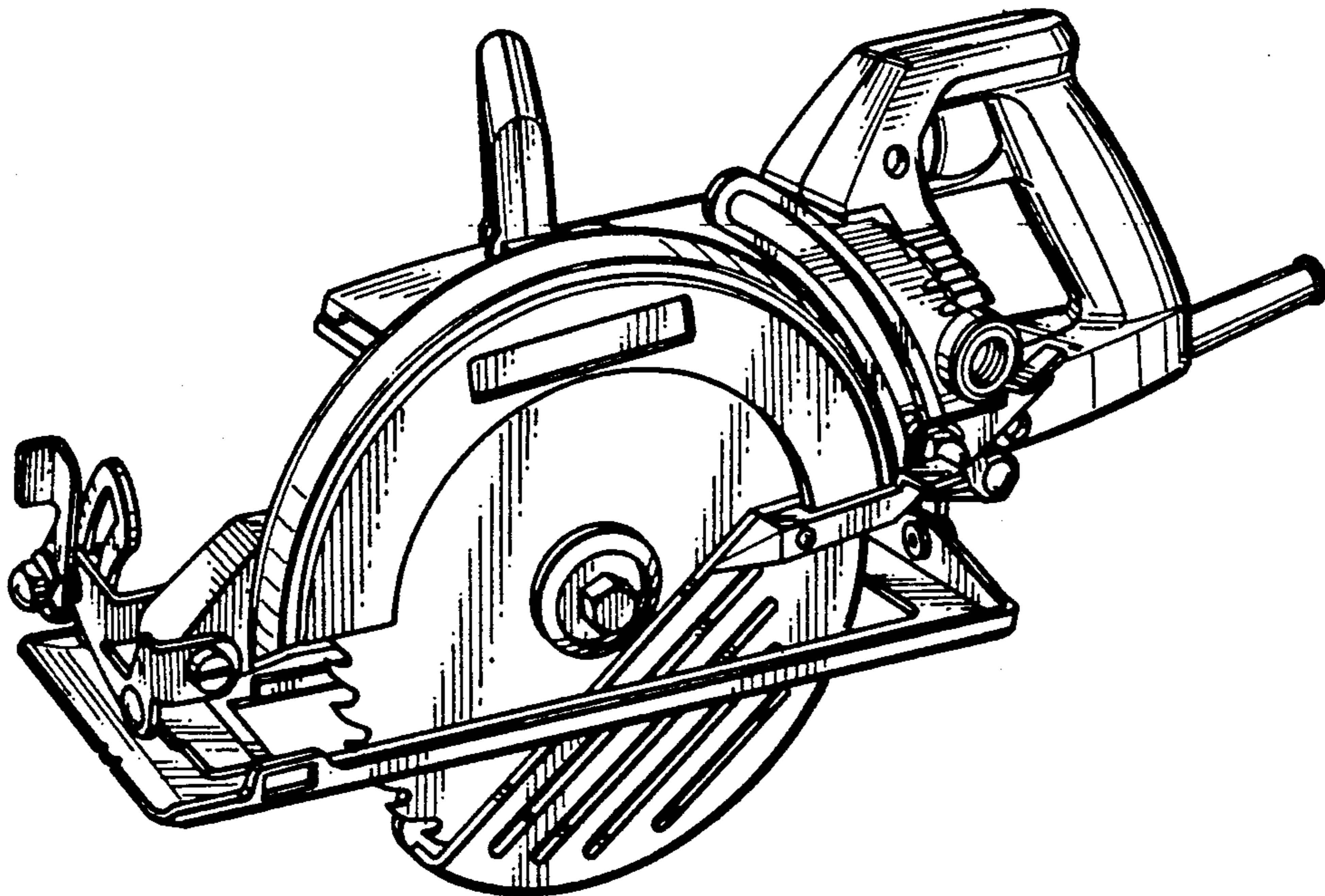


Fig. 1

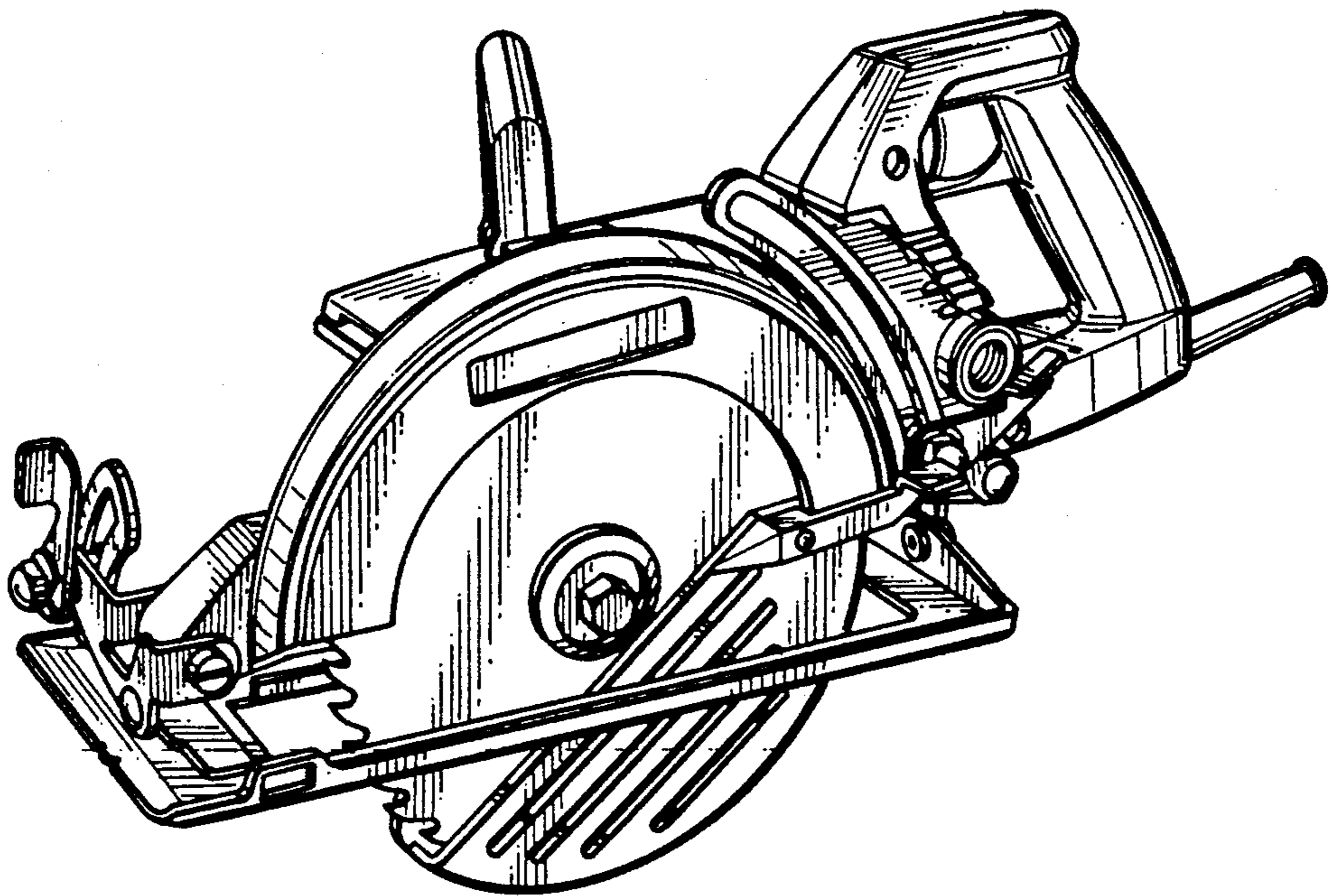


Fig. 2

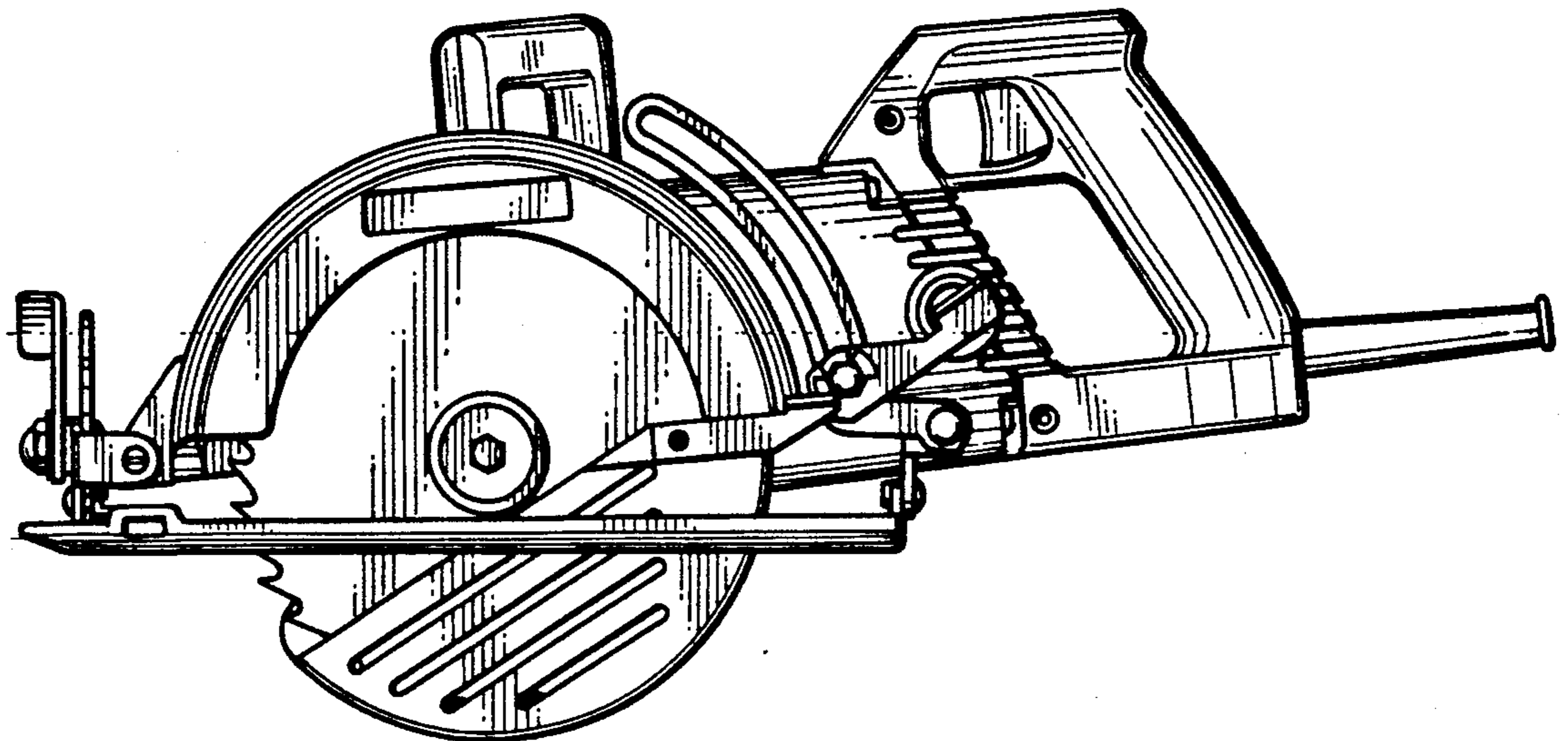


Fig. 3

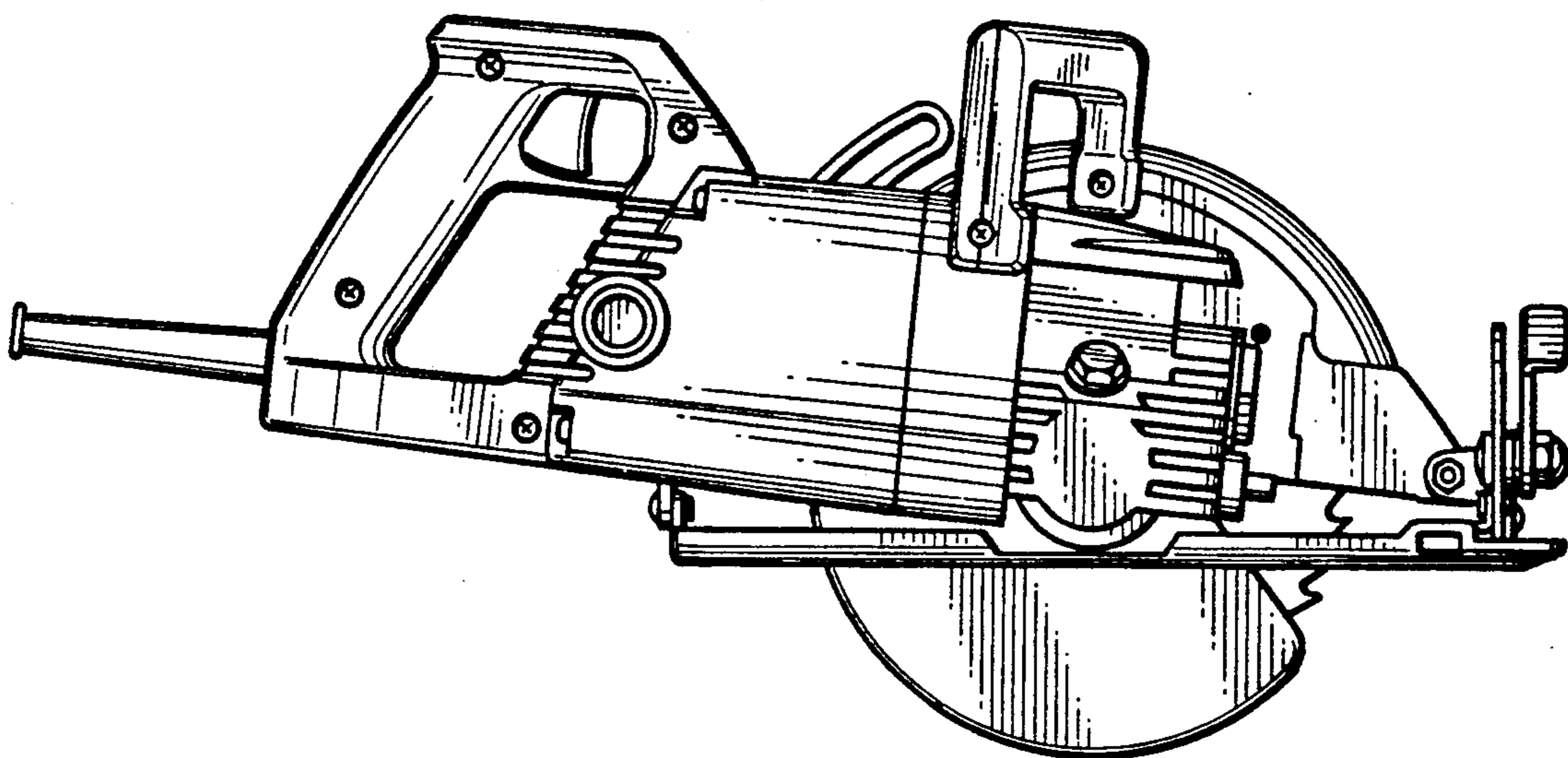


Fig. 4

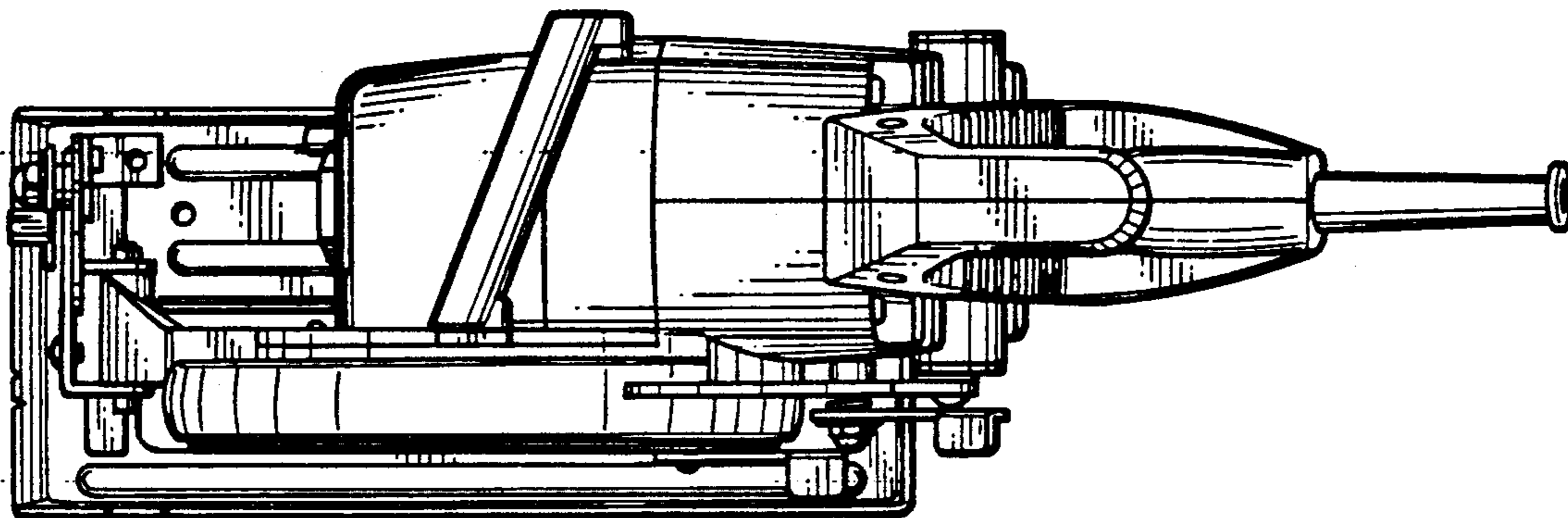


Fig. 5

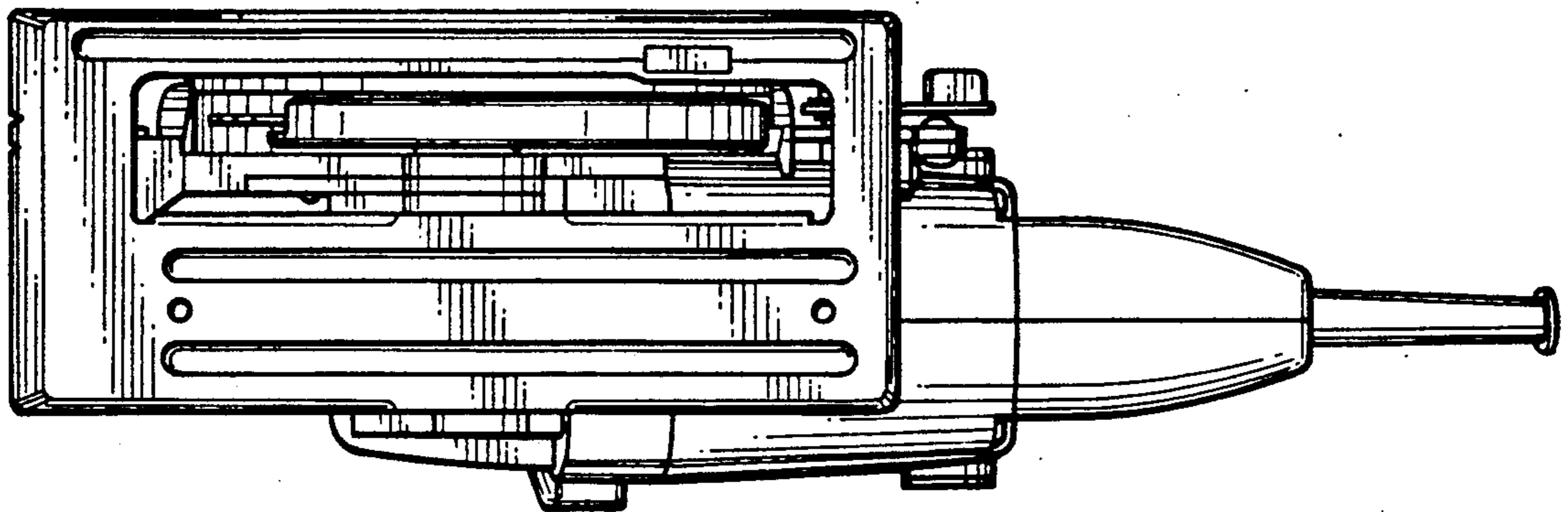


Fig. 6

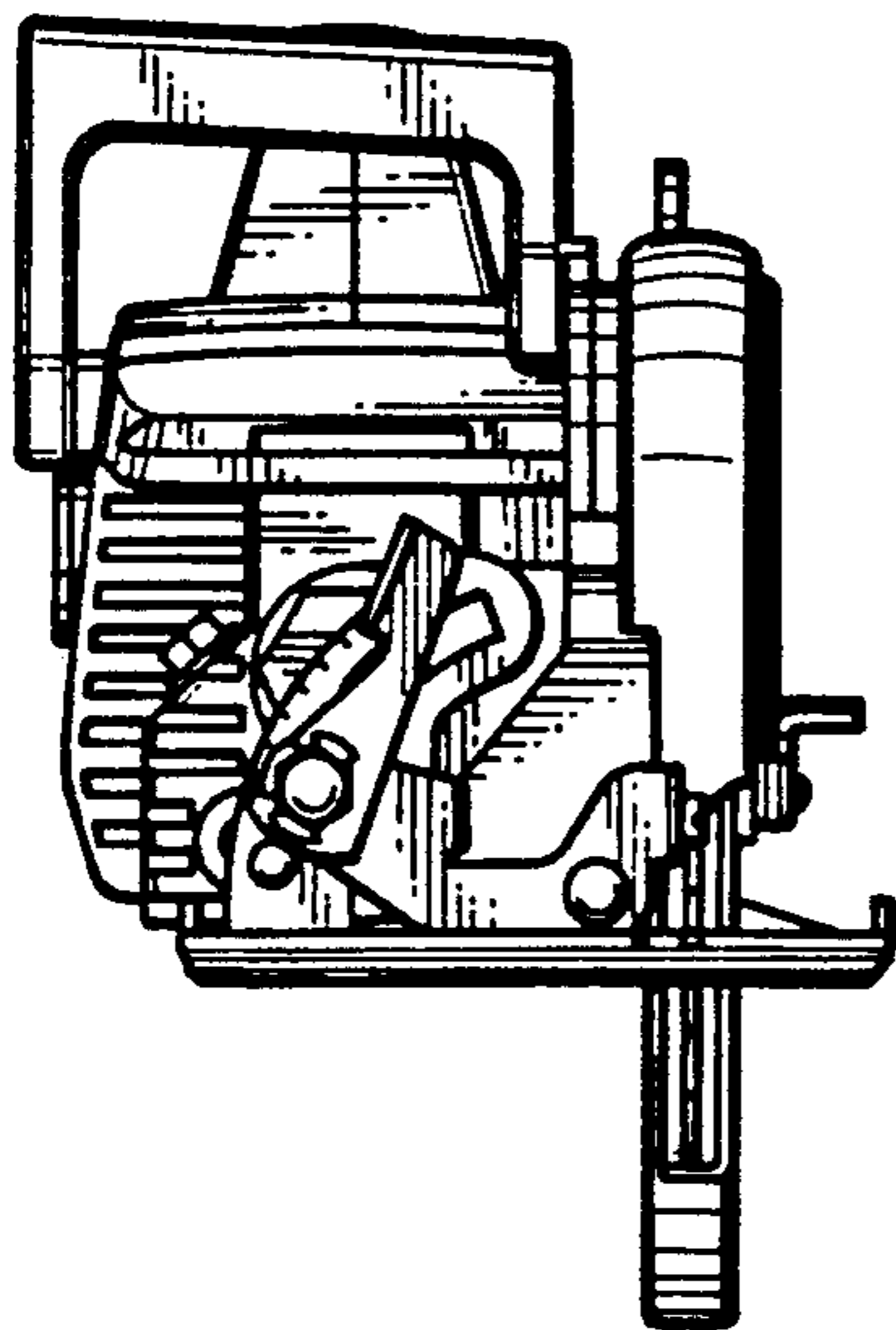


Fig. 7

