

[54] HOT MELT DISPENSER

[75] Inventors: Oktavio K. Nüsse; Wolf-Dieter Krause, both of Münster, Fed. Rep. of Germany

[73] Assignee: Bostik, Inc., Middletown, Mass.

[\*\*] Term: 14 Years

[21] Appl. No.: 101,334

[22] Filed: Sep. 25, 1987

[52] U.S. Cl. .... D8/30

[58] Field of Search ..... D8/68, 30, 14.1, 61, D8/68; 222/146.2, 146.5; 219/227, 230, 421

[56] References Cited

U.S. PATENT DOCUMENTS

D. 211,206 5/1968 Johnson et al. .... D8/68 X

D. 280,378 9/1985 Nüsse et al. .... D8/30

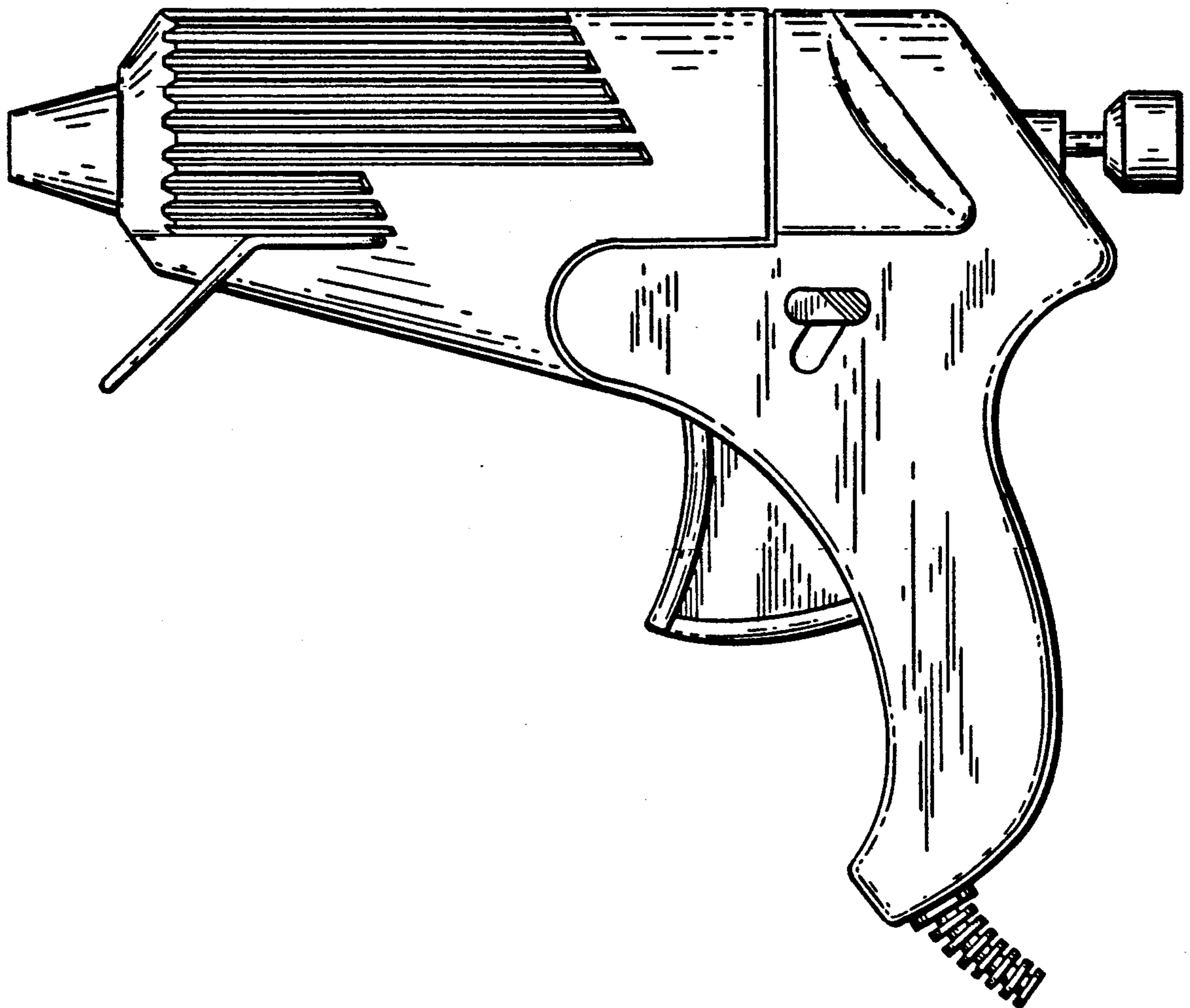
Primary Examiner—Nelson C. Holtje  
Assistant Examiner—Gary D. Watson  
Attorney, Agent, or Firm—David G. Conlin; Gregory D. Williams

[57] CLAIM

The ornamental design for a hot melt dispenser, as shown and described.

DESCRIPTION

FIG. 1 is a right side elevational view of a hot melt dispenser showing our new design, the left side is a mirror image thereof;  
FIG. 2 is a top plan view;  
FIG. 3 is a bottom plan view;  
FIG. 4 is a front elevational view; and  
FIG. 5 is a rear elevational view.



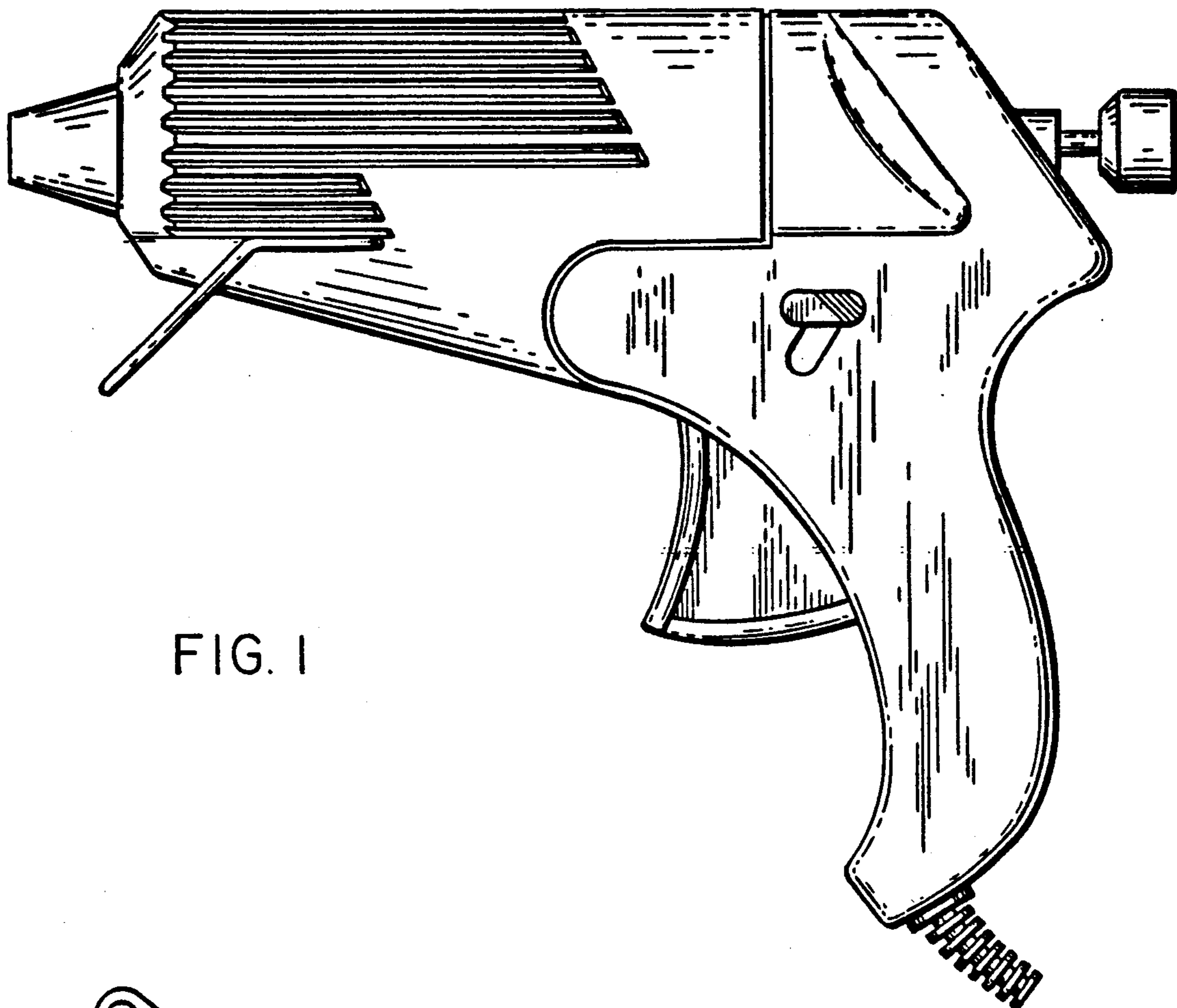


FIG. 1

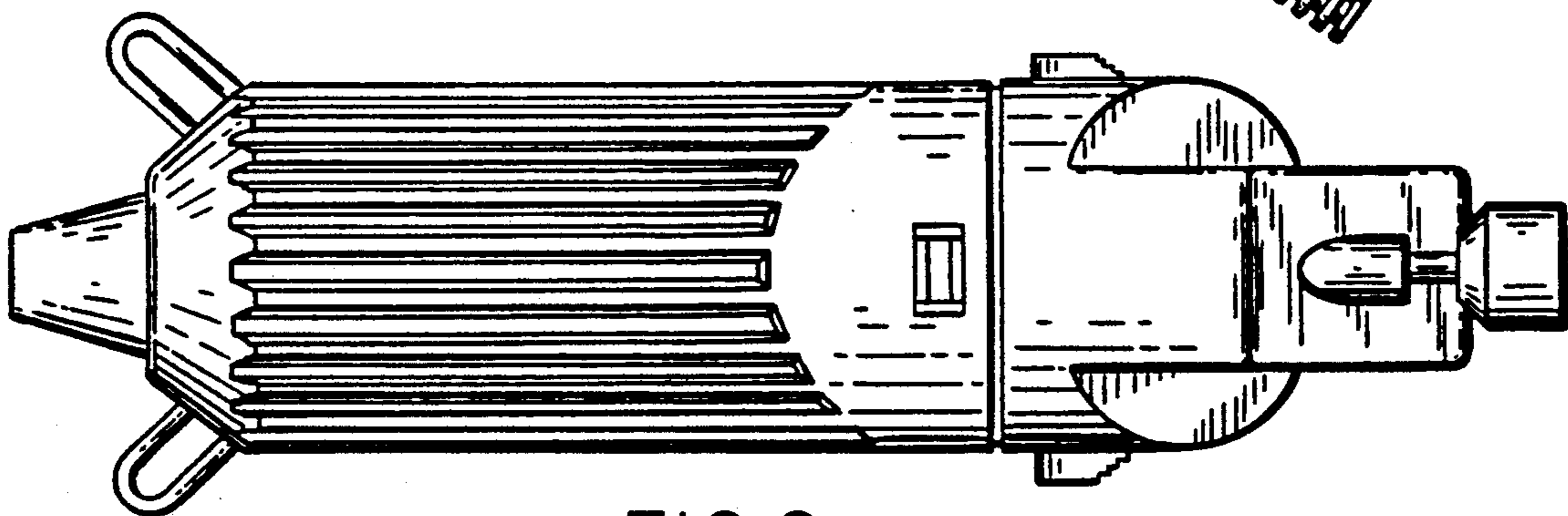


FIG. 2

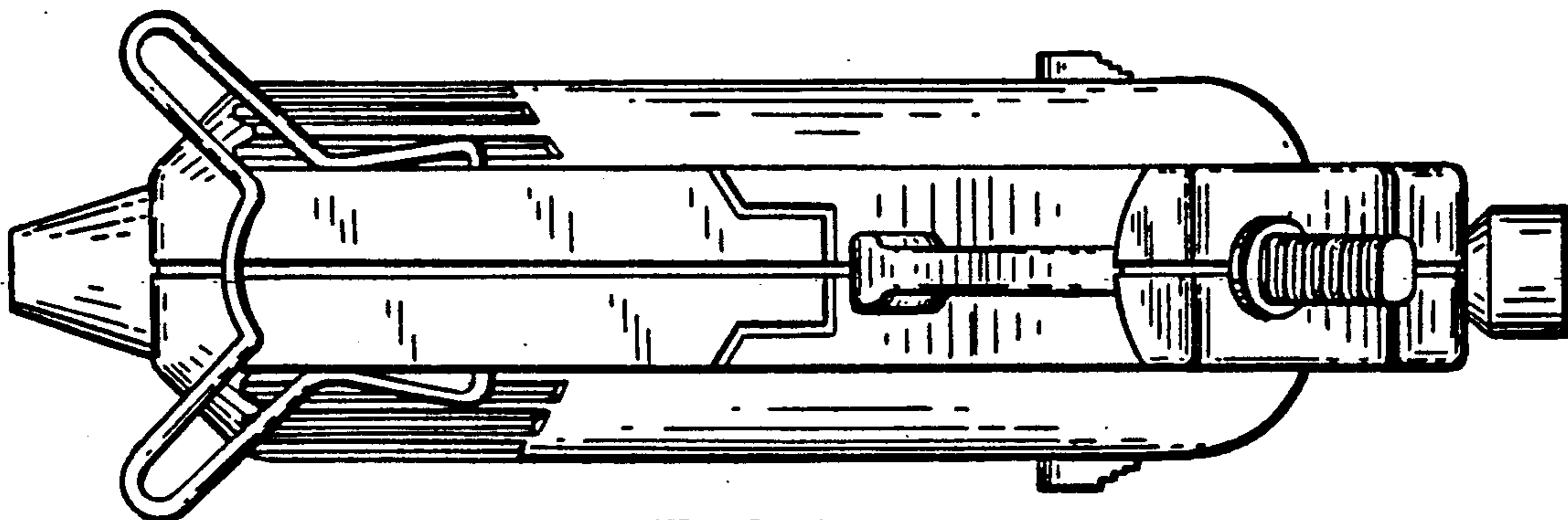


FIG. 3

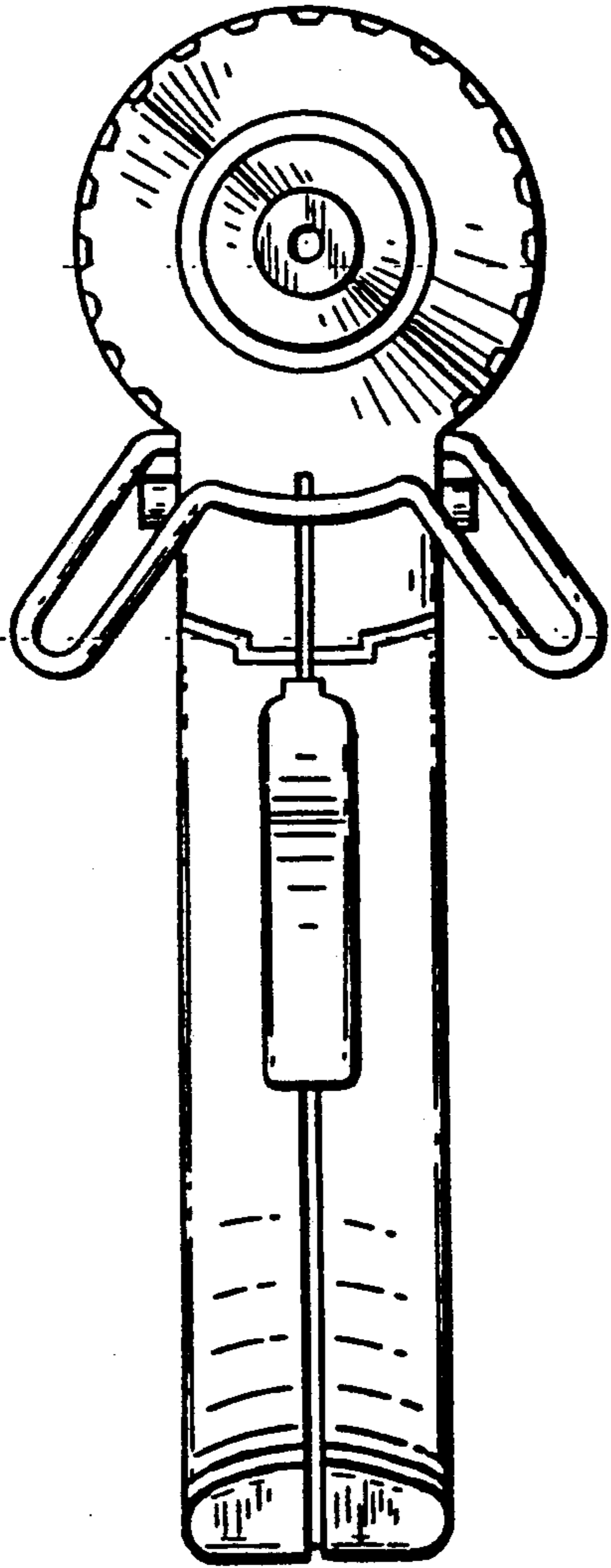


FIG. 4

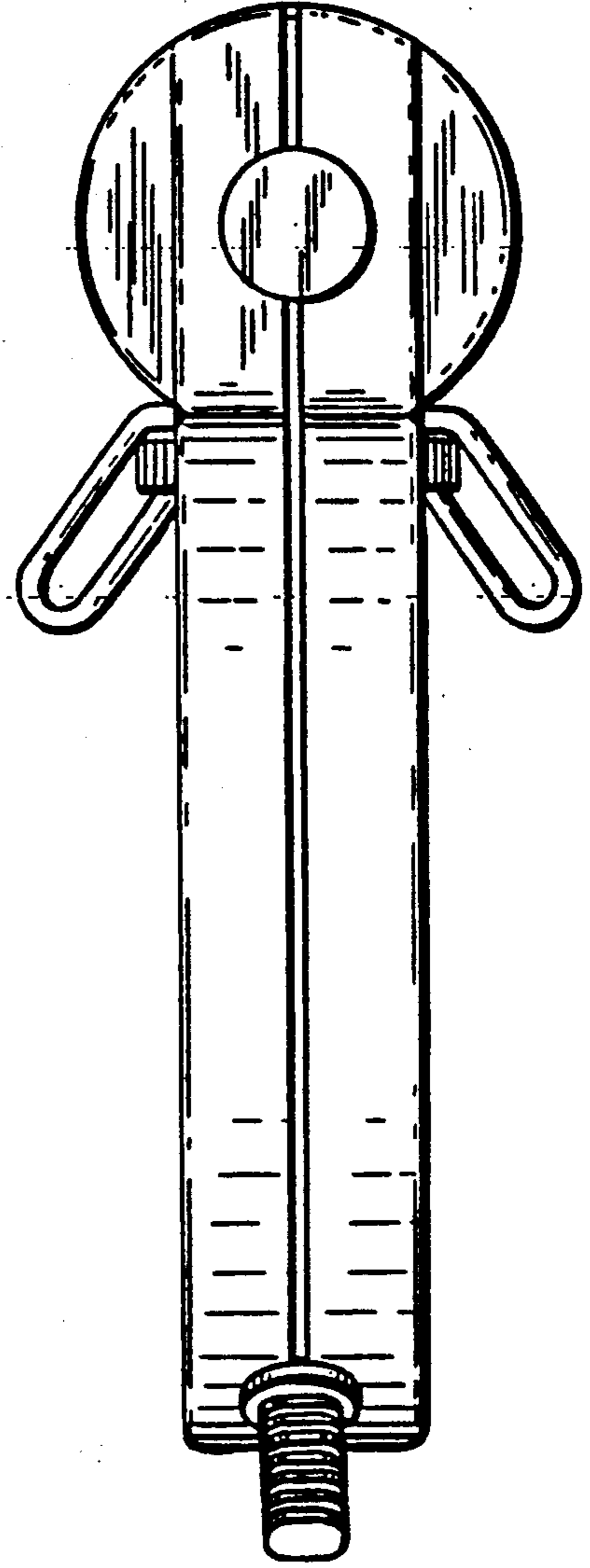


FIG. 5