

**United States Patent** [19]  
**Sebillotte**

[11] **Patent Number: Des. 315,847**  
[45] **Date of Patent: \*\* Apr. 2, 1991**

[54] **HANDLE FOR A PRESSURE COOKER**

[75] **Inventor: Christian Sebillotte, Selongey, France**

[73] **Assignee: SEB, Selongey, France**

[\*\*] **Term: 14 Years**

[21] **Appl. No.: 256,076**

[22] **Filed: Oct. 7, 1988**

**Related U.S. Application Data**

[63] Continuation of Ser. No. 817,574, Jan. 10, 1986, abandoned.

[30] **Foreign Application Priority Data**

Jul. 17, 1985 [FR] France ..... 853420

[52] **U.S. Cl.** ..... D7/393; D7/358; D8/308

[58] **Field of Search** ..... D8/308; D7/358, 393, D7/395, 387, 361, 394; 16/110 A

[56] **References Cited**

**U.S. PATENT DOCUMENTS**

D. 180,391 6/1957 Crew ..... D8/308 X  
D. 182,403 4/1958 Crew ..... D8/308 X

D. 187,609 4/1960 Boldt ..... D7/395  
D. 263,782 4/1982 Jackson et al. .... D7/358  
4,257,394 3/1981 Zabel ..... D7/358 X

**FOREIGN PATENT DOCUMENTS**

3134393 3/1983 Fed. Rep. of Germany ... 16/110 A

**OTHER PUBLICATIONS**

*Kelomat Super*, Publication Date Aug. 27, 1980, Handle shown on all Pressure Cooker Pots.

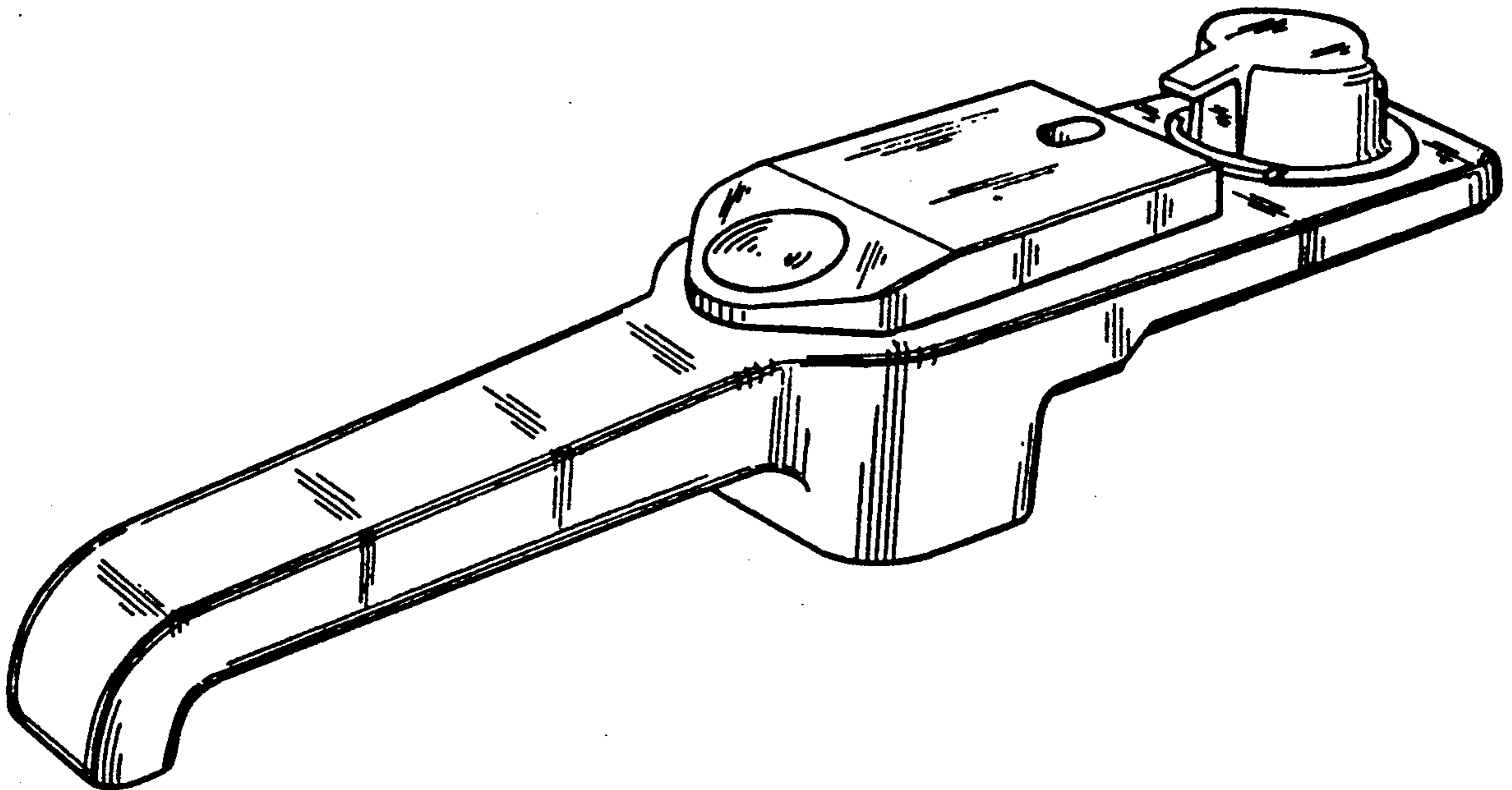
*Primary Examiner*—Winifred E. Herrmann  
*Attorney, Agent, or Firm*—Young & Thompson

[57] **CLAIM**

The ornamental design for a handle for a pressure cooker, as shown and described.

**DESCRIPTION**

FIG. 1 is a front elevational view of a handle for a pressure cooker showing my new design; FIG. 2 is a rear elevational view thereof; FIG. 3 is a left end elevational view thereof; FIG. 4 is a right end elevational view thereof; FIG. 5 is a top plan view thereof; FIG. 6 is a bottom plan view thereof; and FIG. 7 is a top perspective view thereof.



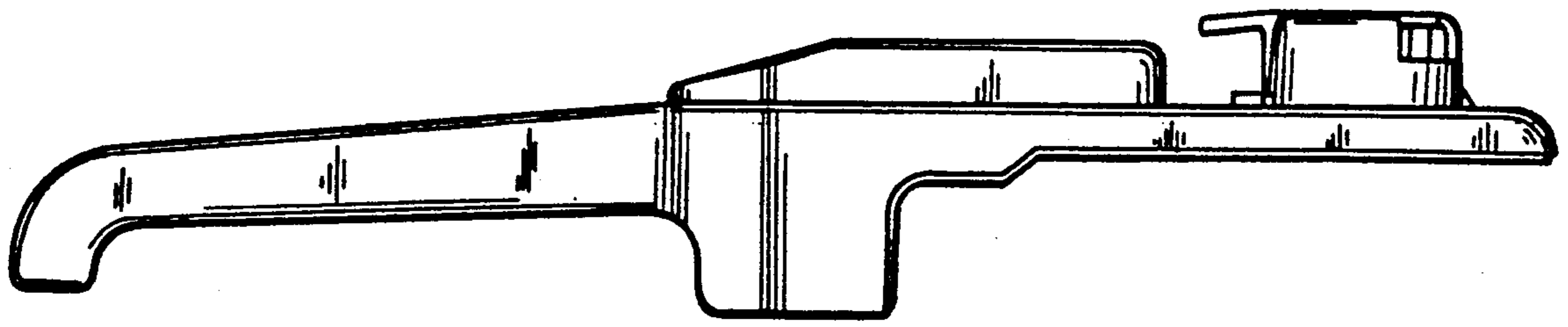


FIG. 1

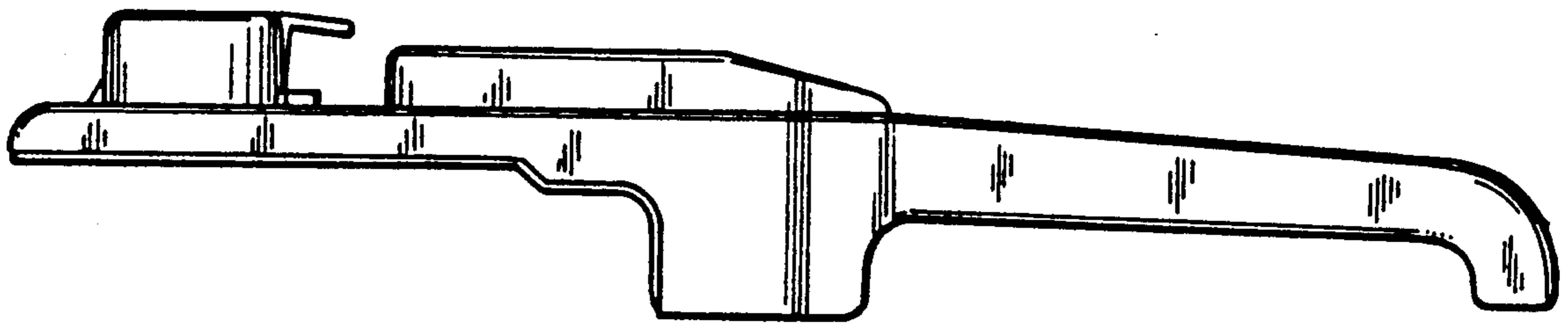


FIG. 2

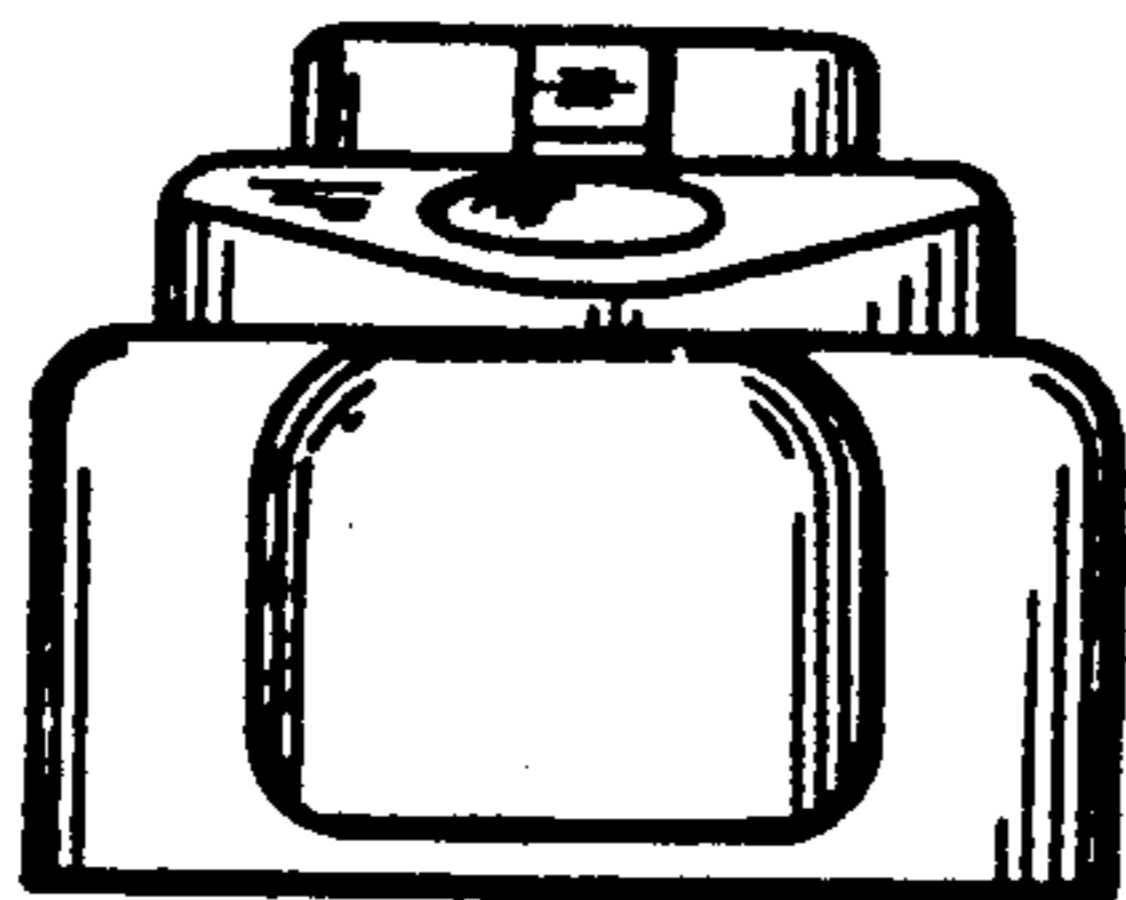


FIG. 3

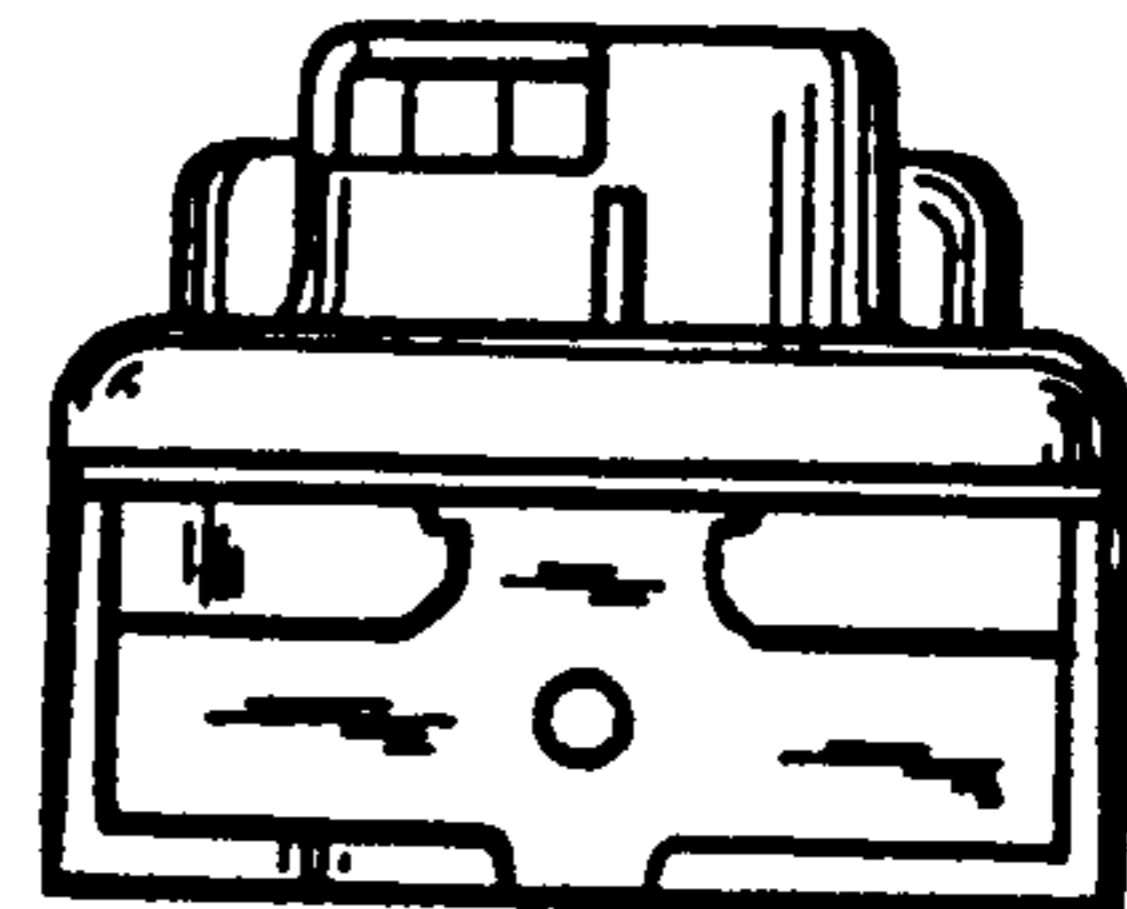


FIG. 4

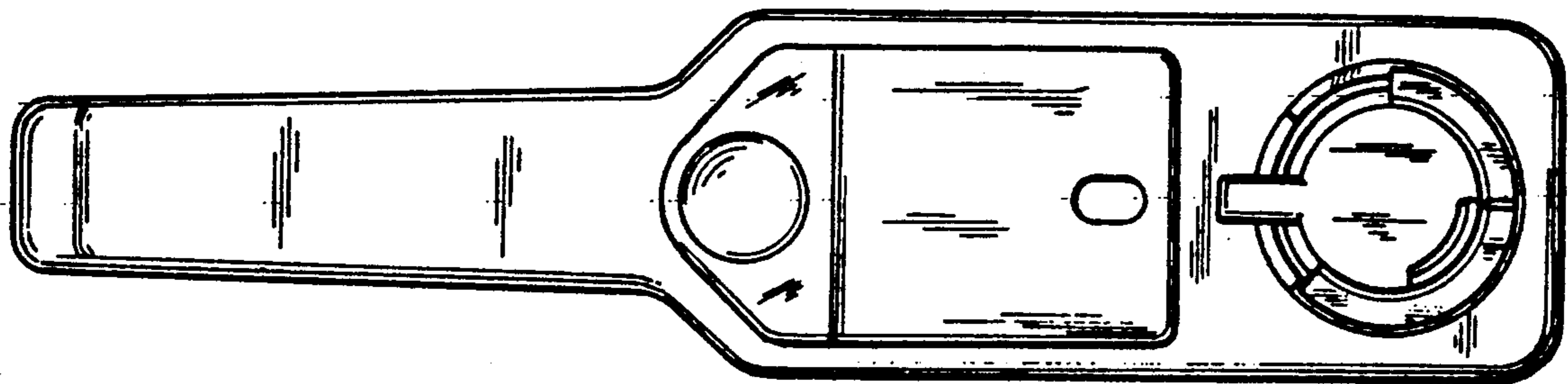


FIG. 5

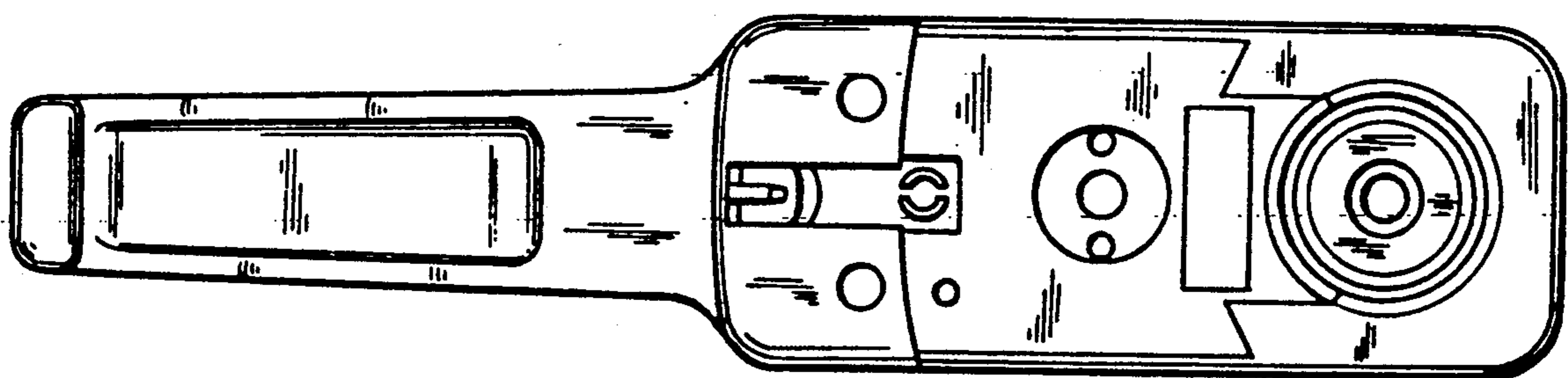


FIG. 6

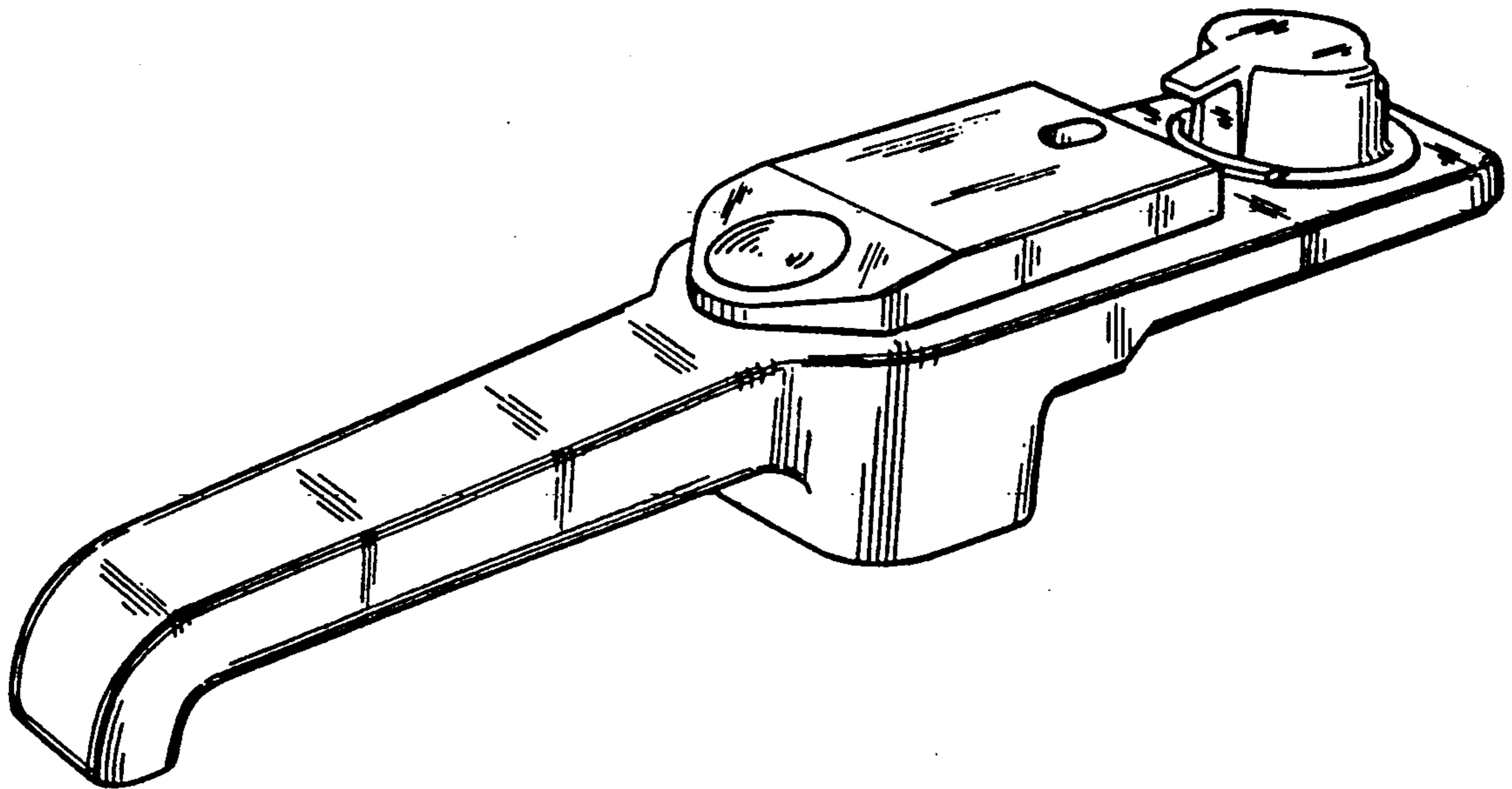


FIG. 7