

[54] WALL-MOUNTED SHELF OR THE LIKE

DESCRIPTION

[75] Inventor: Axel Enthoven, Wijnegem, Belgium
[73] Assignee: American Standard Inc., New York, N.Y.
[**] Term: 14 Years
[21] Appl. No.: 111,521
[22] Filed: Oct. 19, 1987
[52] U.S. Cl. D6/574
[58] Field of Search D6/540, 553, 555-556, D6/567, 574; D26/72, 85, 87, 92, 155; 108/152; 248/220.1, 311.2; 211/86-87, 88, 90, 126, 134; D23/284, 288, 293-294

FIG. 1 is a top plan view of a wall-mounted shelf or the like showing my new design;
FIG. 2 is a front elevational view thereof;
FIG. 3 is a bottom plan view thereof;
FIG. 4 is a rear elevational view thereof;
FIG. 5 is a side elevational view thereof, the opposite side being a mirror image of that shown;
FIG. 6 is a vertical cross-sectional view thereof, taken along line 6-6 of FIG. 1;
FIG. 7 is a top plan view of a second embodiment thereof;
FIG. 8 is a front elevational view of the embodiment of FIG. 7;
FIG. 9 is a bottom plan view of the embodiment of FIG. 7;
FIG. 10 is a rear elevational view of the embodiment of FIG. 7;
FIG. 11 is a side elevational view of the embodiment of FIG. 7, the opposite side being a mirror image of that shown;
FIG. 12 is a vertical cross-sectional view of the embodiment of FIG. 7, taken along line 12-12 of FIG. 7;
FIG. 13 is a top plan view of a third embodiment thereof;
FIG. 14 is a front elevational view of the embodiment of FIG. 13;
FIG. 15 is a bottom plan view of the embodiment of FIG. 13;
FIG. 16 is a rear elevational view of the embodiment of FIG. 13;
FIG. 17 is a side elevational view of the embodiment of FIG. 13; the opposite side being a mirror image of that shown; and
FIG. 18 is a vertical cross-sectional view of the embodiment of FIG. 13, taken along line 18-18 of FIG. 13.

[56] References Cited

U.S. PATENT DOCUMENTS

Table with 4 columns: Patent No., Date, Inventor, and Patent No. (right side). Rows include Jeffries (D6/574), Thompson (D6/540), Thorne (D6/574), Bennato (D6/540), Boroach (D6/540), Pfister (D26/87), Van Deelen (D26/87), and Brown (D6/556 X).

OTHER PUBLICATIONS

1985 Sweet's Catalogue File, Section 15.7c/Ha p. 1, Drinking Fountain, Model 1000.

Primary Examiner—Wallace R. Burke
Assistant Examiner—Brian N. Vinson
Attorney, Agent, or Firm—John P. Sinnott

[57] CLAIM

The ornamental design for a wall-mounted shelf or the like, as shown and described.

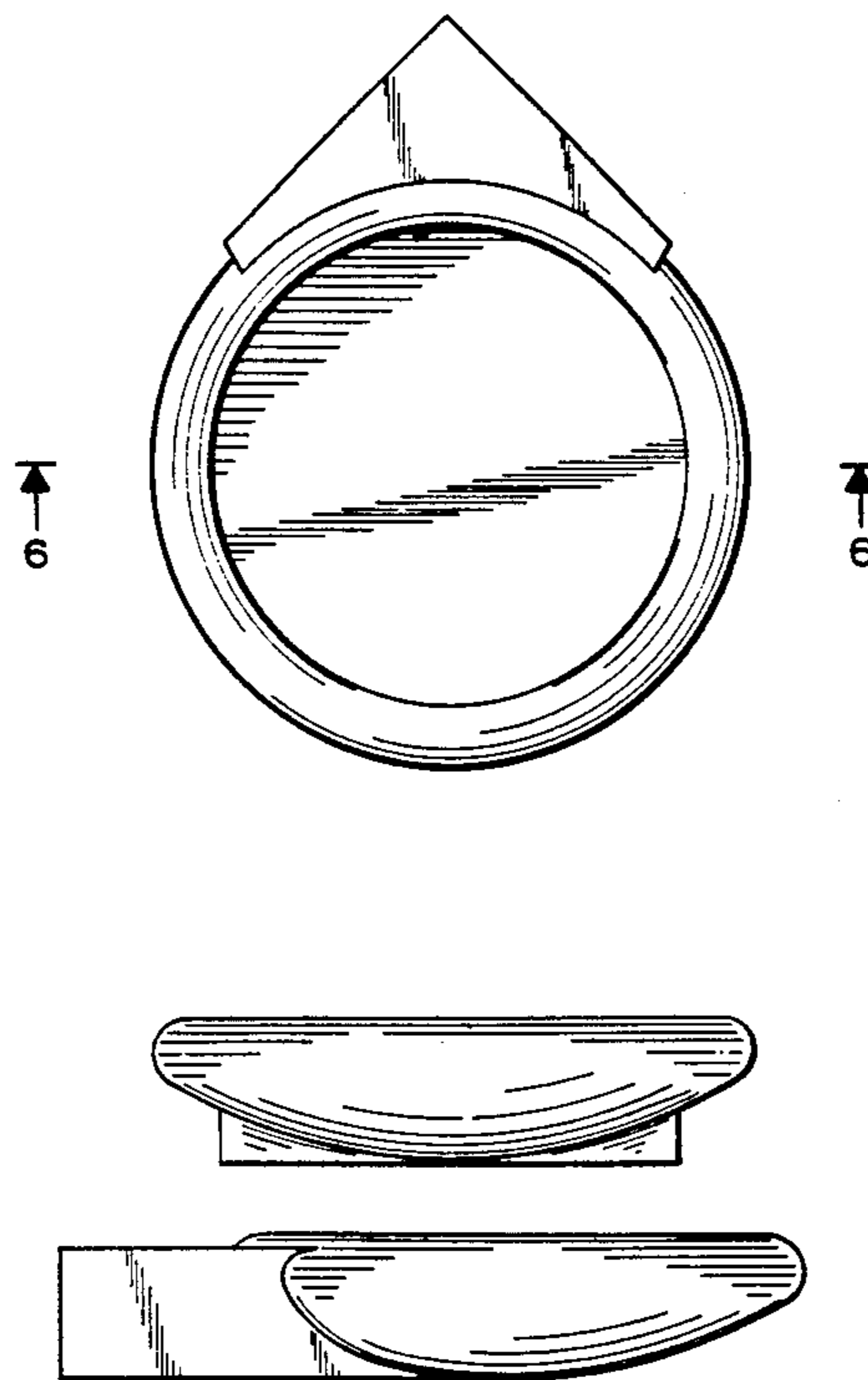


FIG. 1

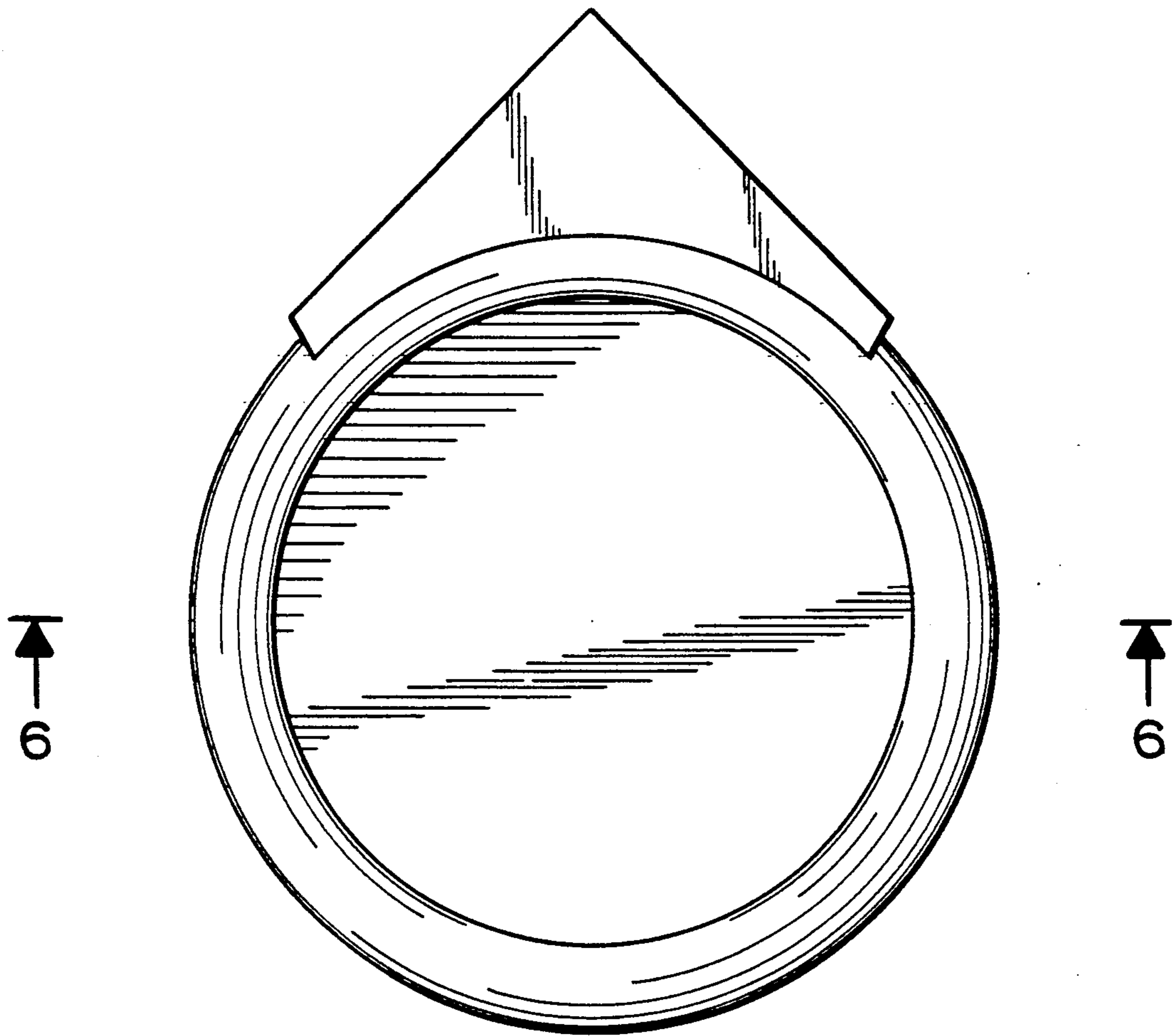


FIG. 2

FIG. 3

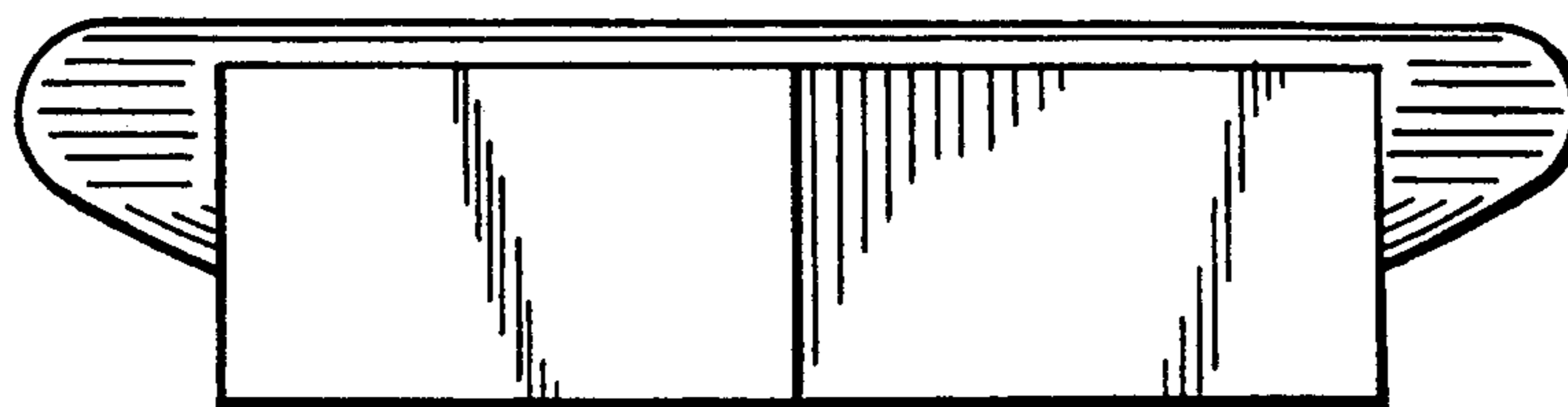
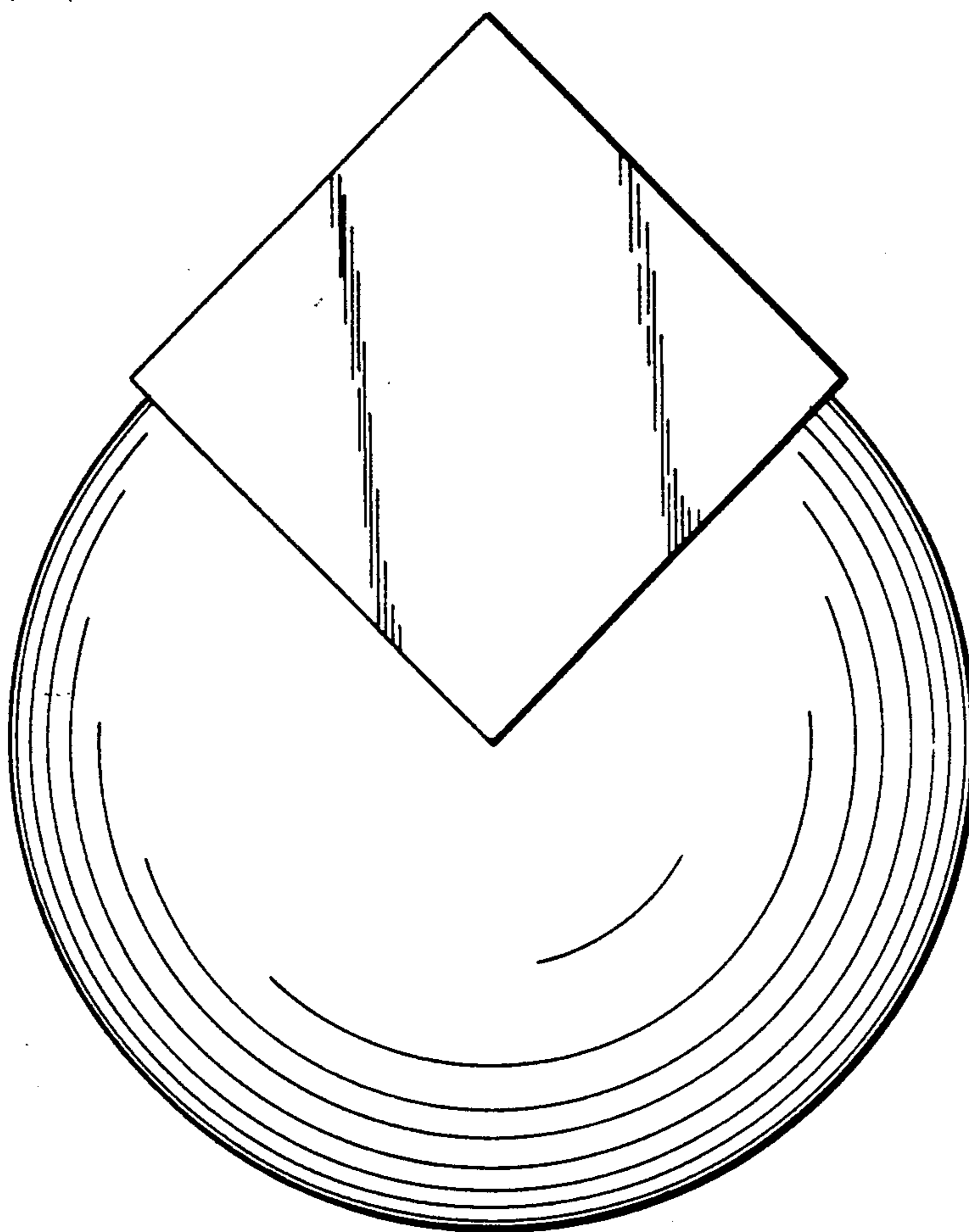


FIG. 4

FIG. 5

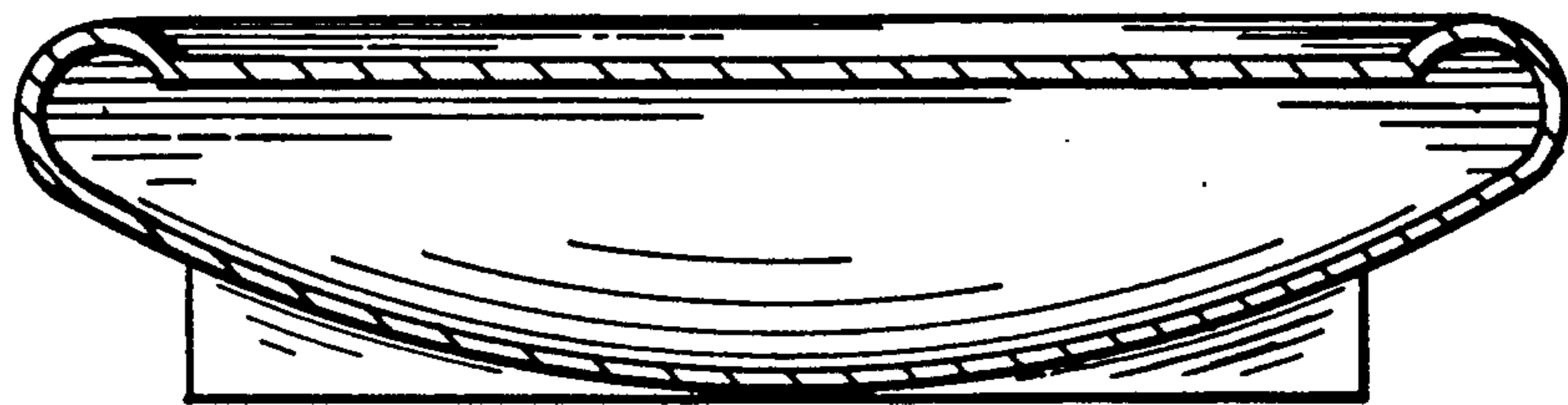
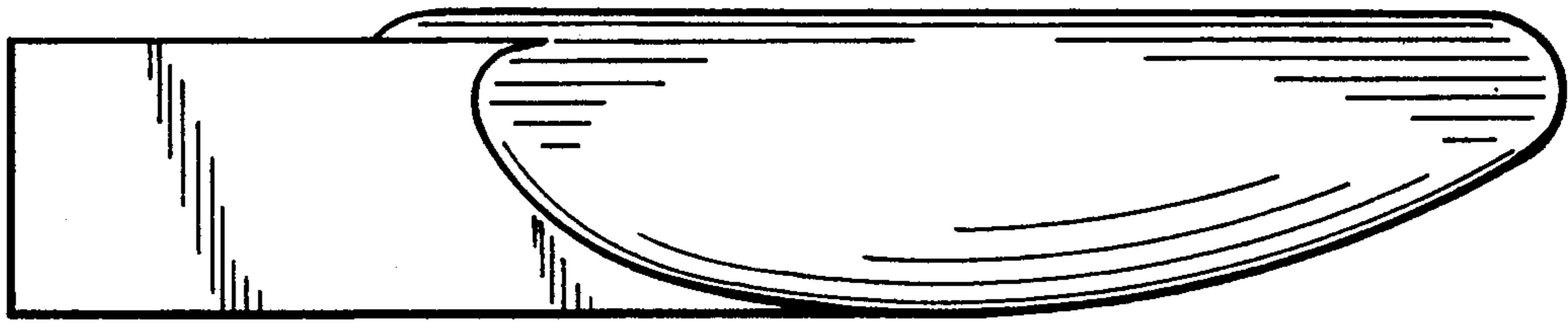


FIG. 6

FIG. 7

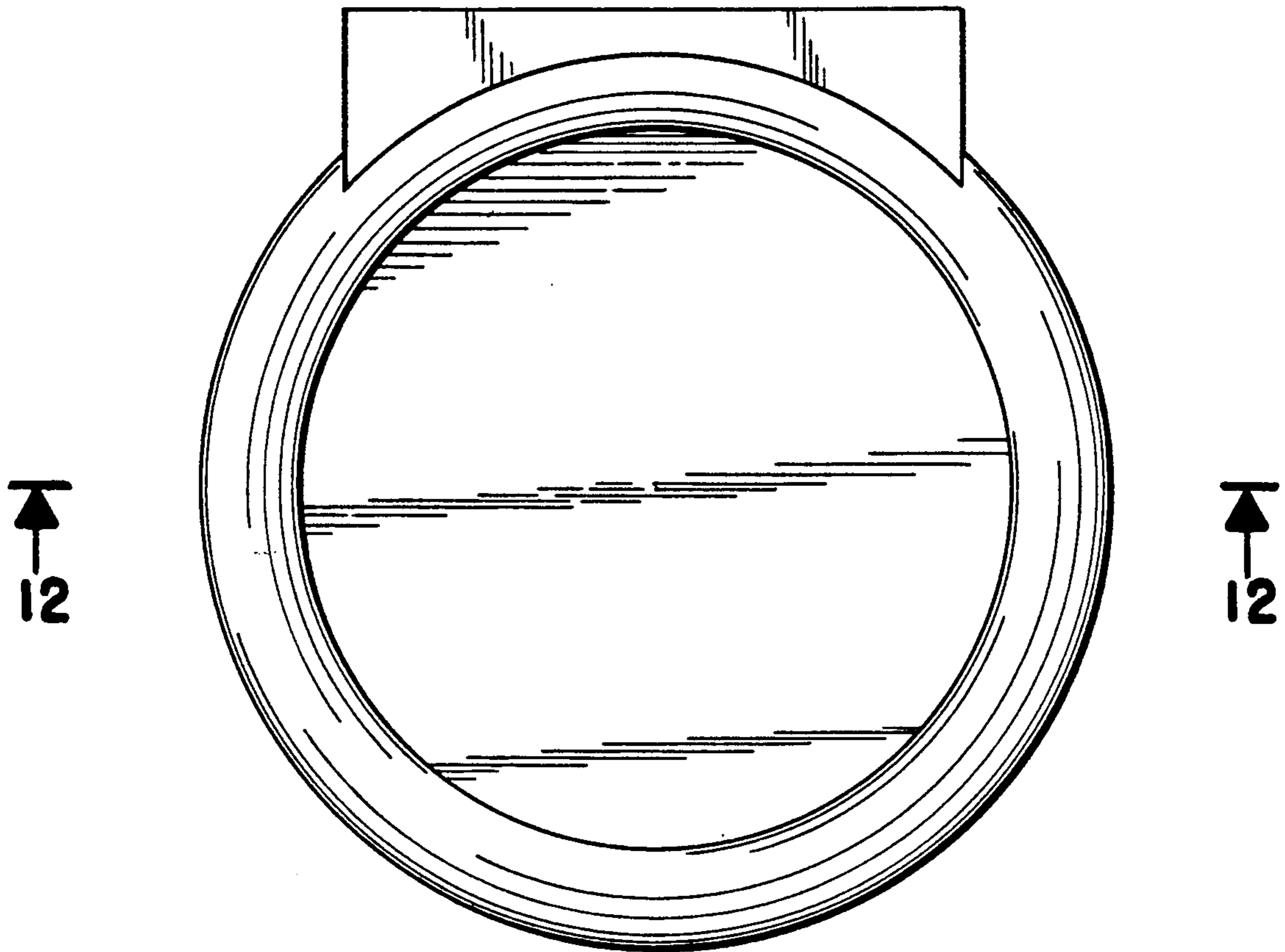


FIG. 8

FIG. 9

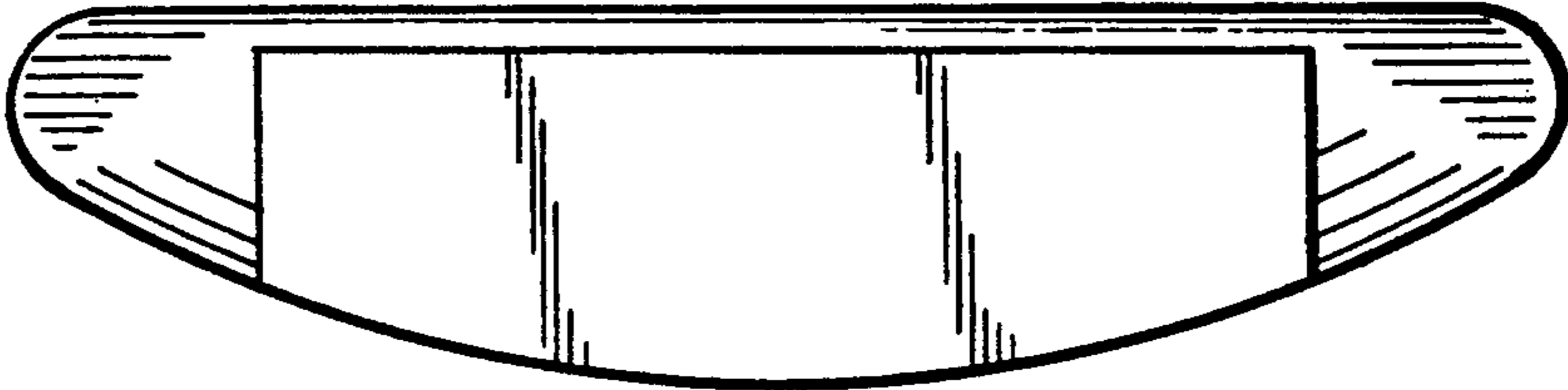
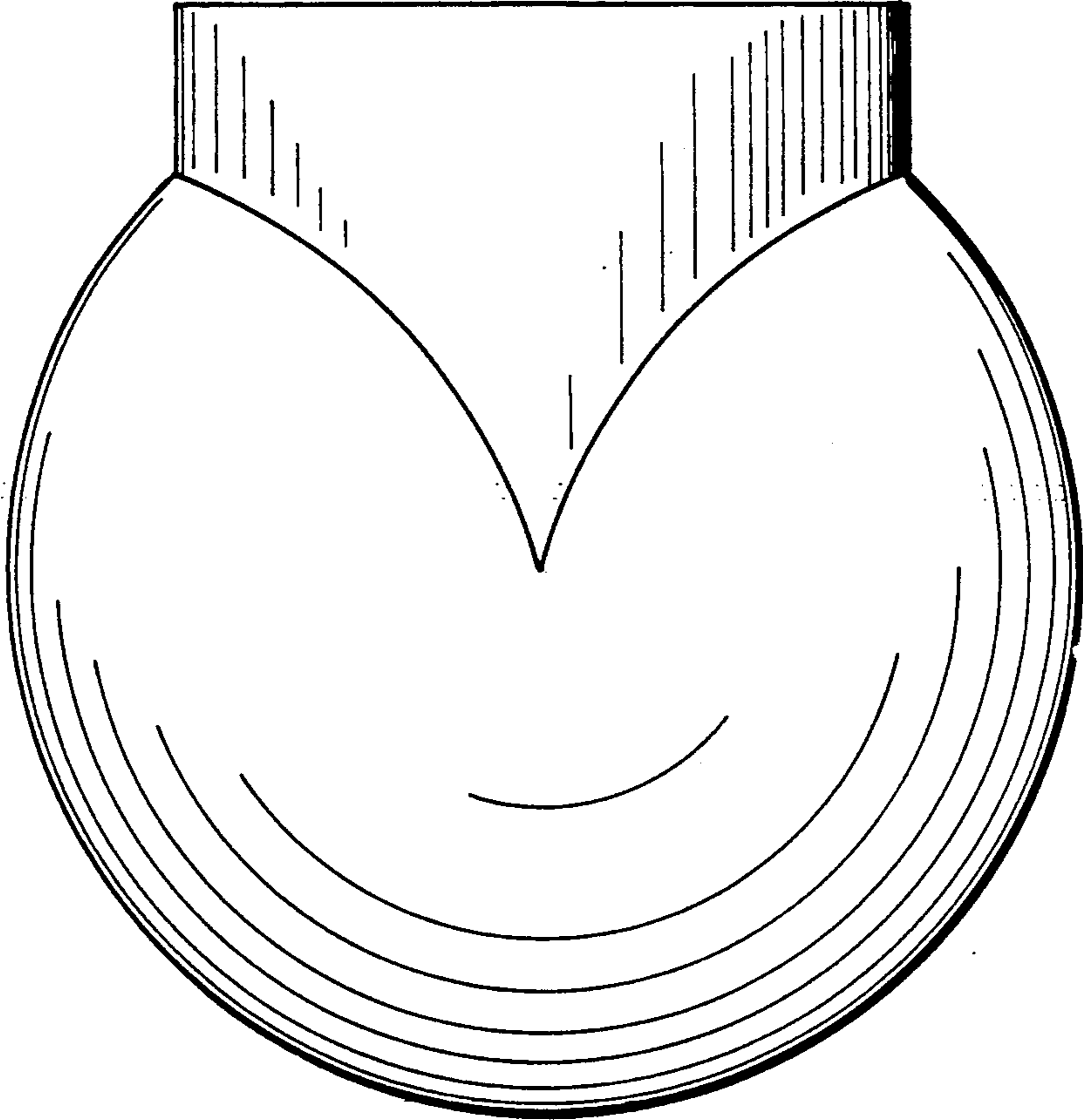


FIG. 10

FIG. 11

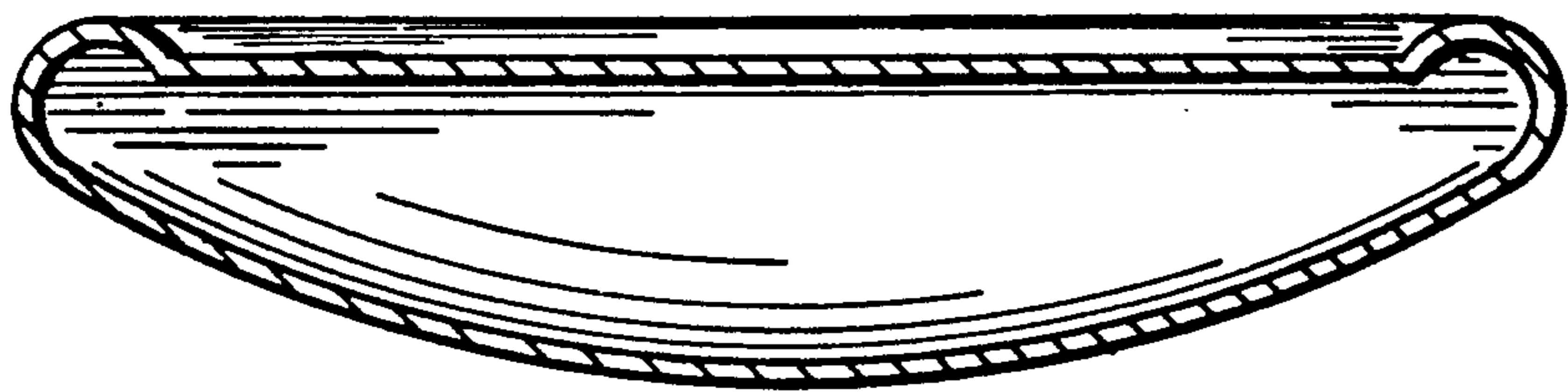


FIG. 12

FIG. 13

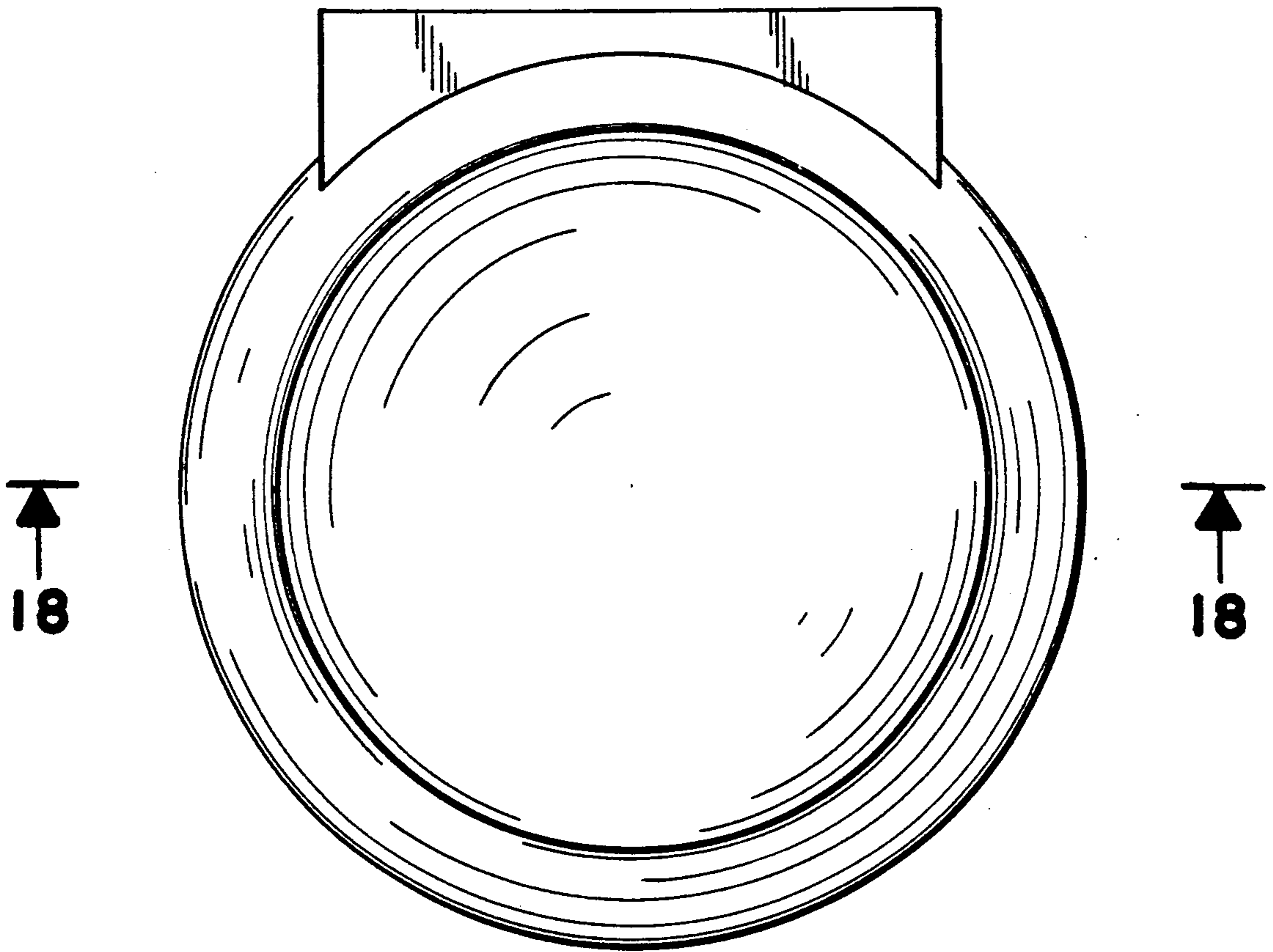


FIG. 14

FIG. 15

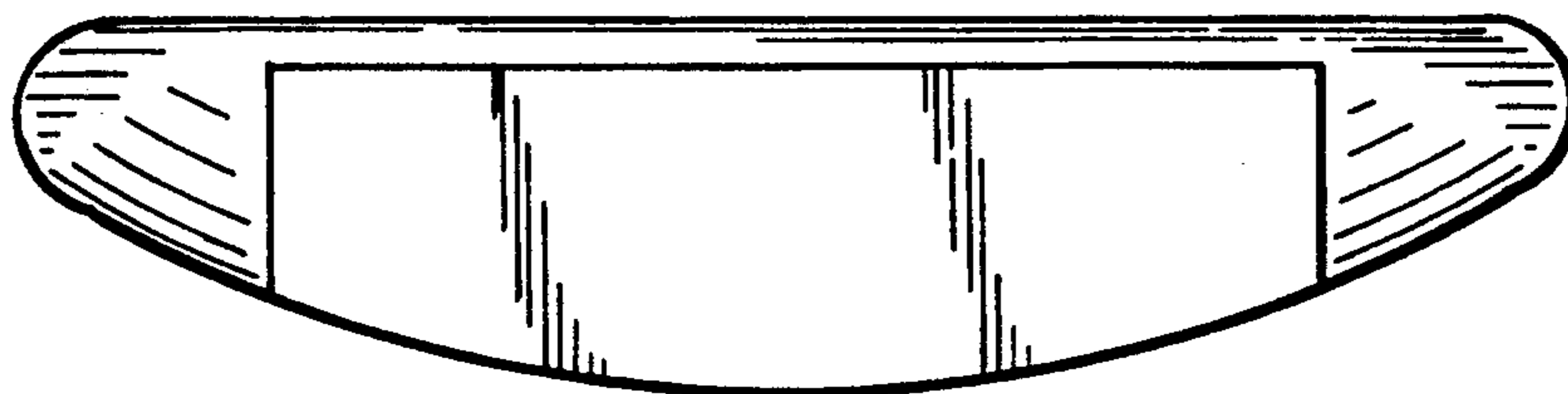
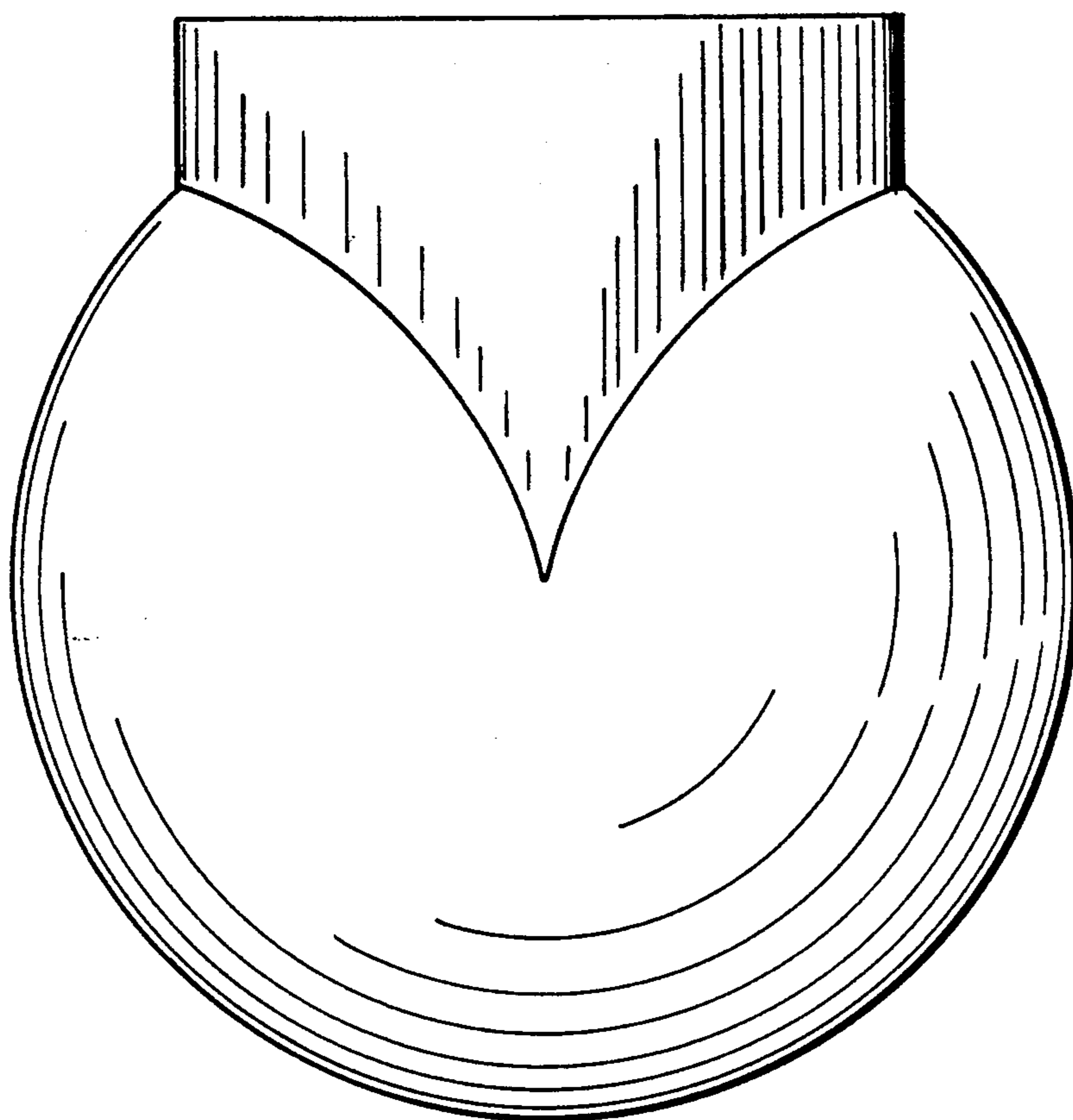


FIG. 16

FIG. 17

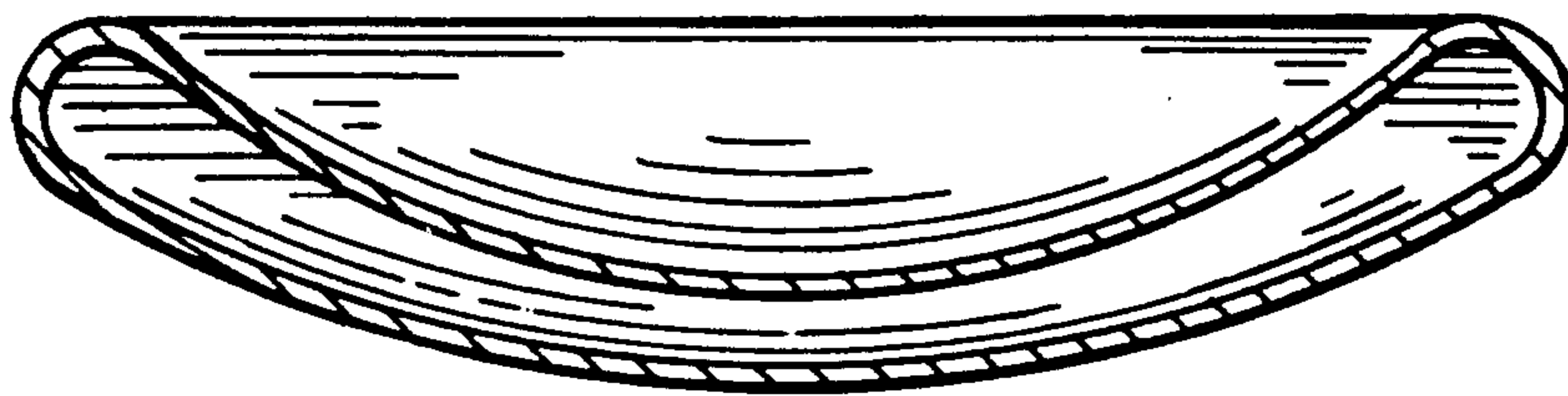
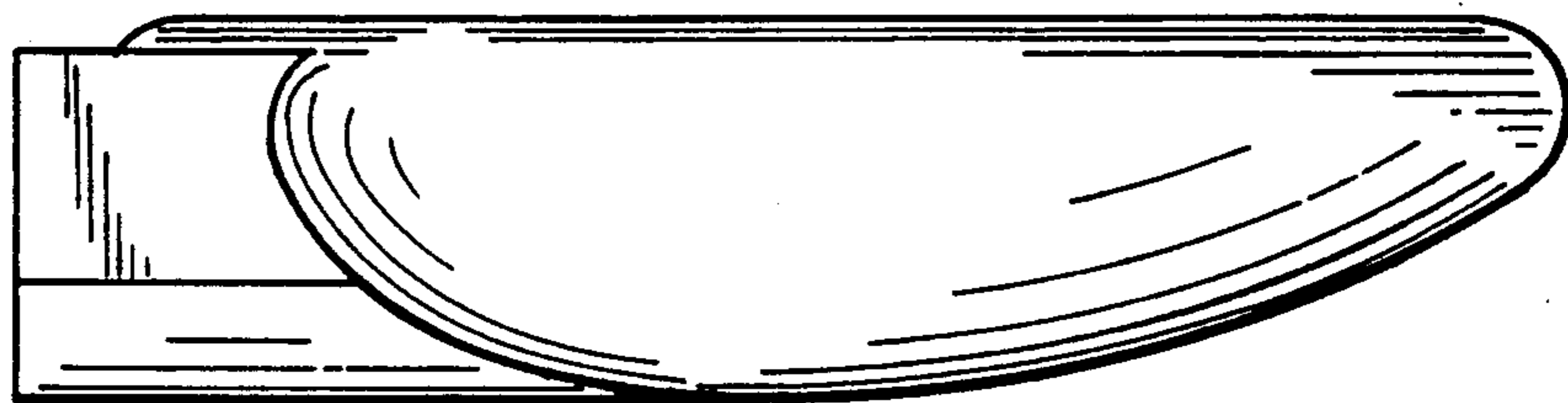


FIG. 18