

[54] **TOOTHPASTE DISPENSER**

3,217,930 11/1965 Battaglini 222/93

[76] **Inventor: Larry E. Tallman, P.O. Box 42,
North Hyde Park, Vt. 05665**

Primary Examiner—Wallace R. Burke
Assistant Examiner—Brian N. Vinson
Attorney, Agent, or Firm—Thomas N. Neiman

[**] **Term: 14 Years**

[57] **CLAIM**

[21] **Appl. No.: 329,089**

The ornamental design for a toothpaste dispenser, as shown and described.

[22] **Filed: Mar. 27, 1989**

[52] **U.S. Cl. D6/541**

DESCRIPTION

[58] **Field of Search D6/542-545;
206/277; 222/95-96, 100-103, 105, 93**

FIG. 1 is a right side elevational view of a toothpaste dispenser showing my new design, the left side being a mirror image of that shown;
FIG. 2 is a top plan view thereof;
FIG. 3 is a front elevational view thereof;
FIG. 4 is a bottom plan view thereof;
FIG. 5 is a rear elevational view thereof; and
FIG. 6 is a top, front, and right side perspective view thereof.

[56] **References Cited**

U.S. PATENT DOCUMENTS

- D. 171,807 3/1954 Mann et al. D6/541
- D. 192,004 1/1962 Coley D6/541
- D. 227,836 7/1973 Roiko D6/541
- 1,747,590 2/1930 McCorkindale D6/541 X

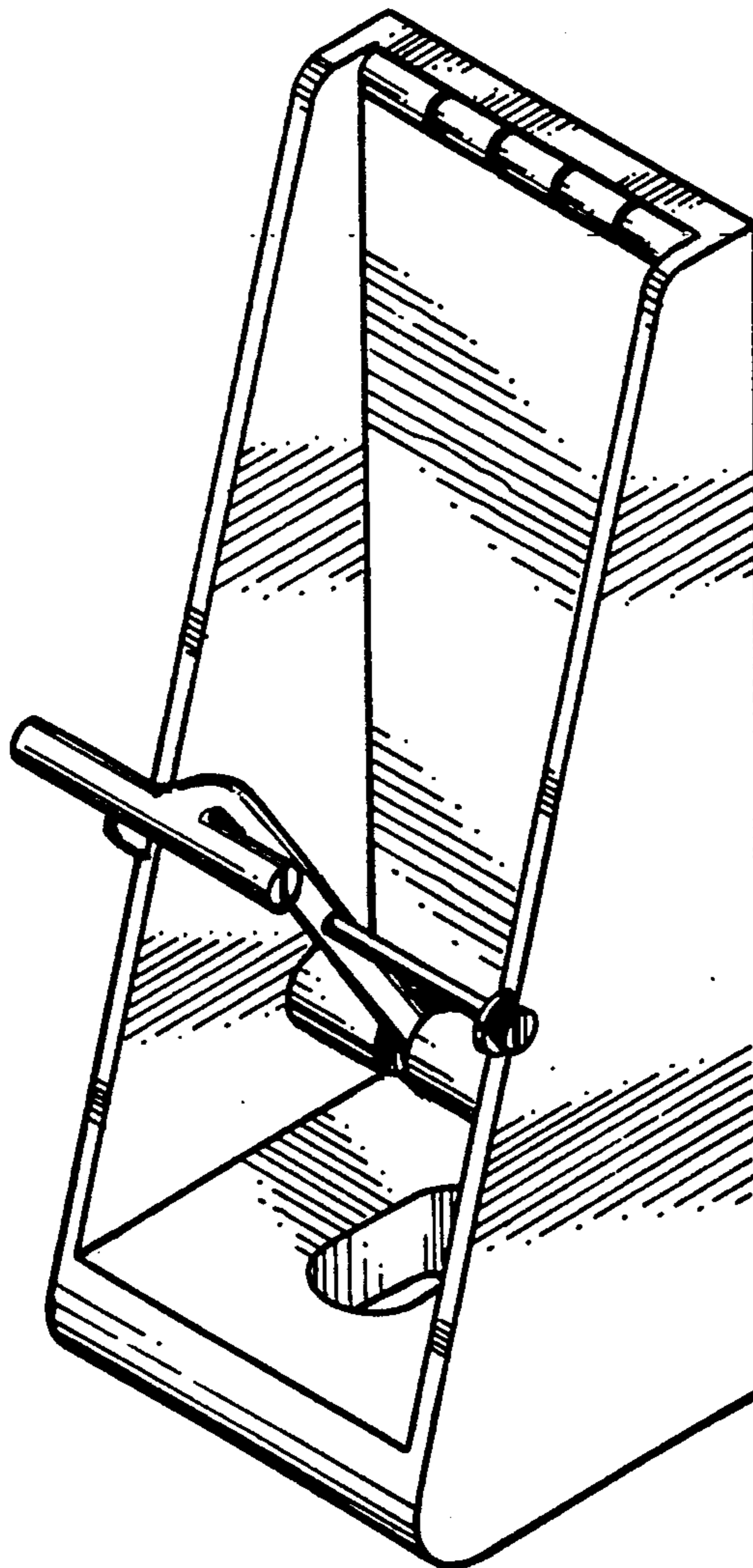


FIG. 2

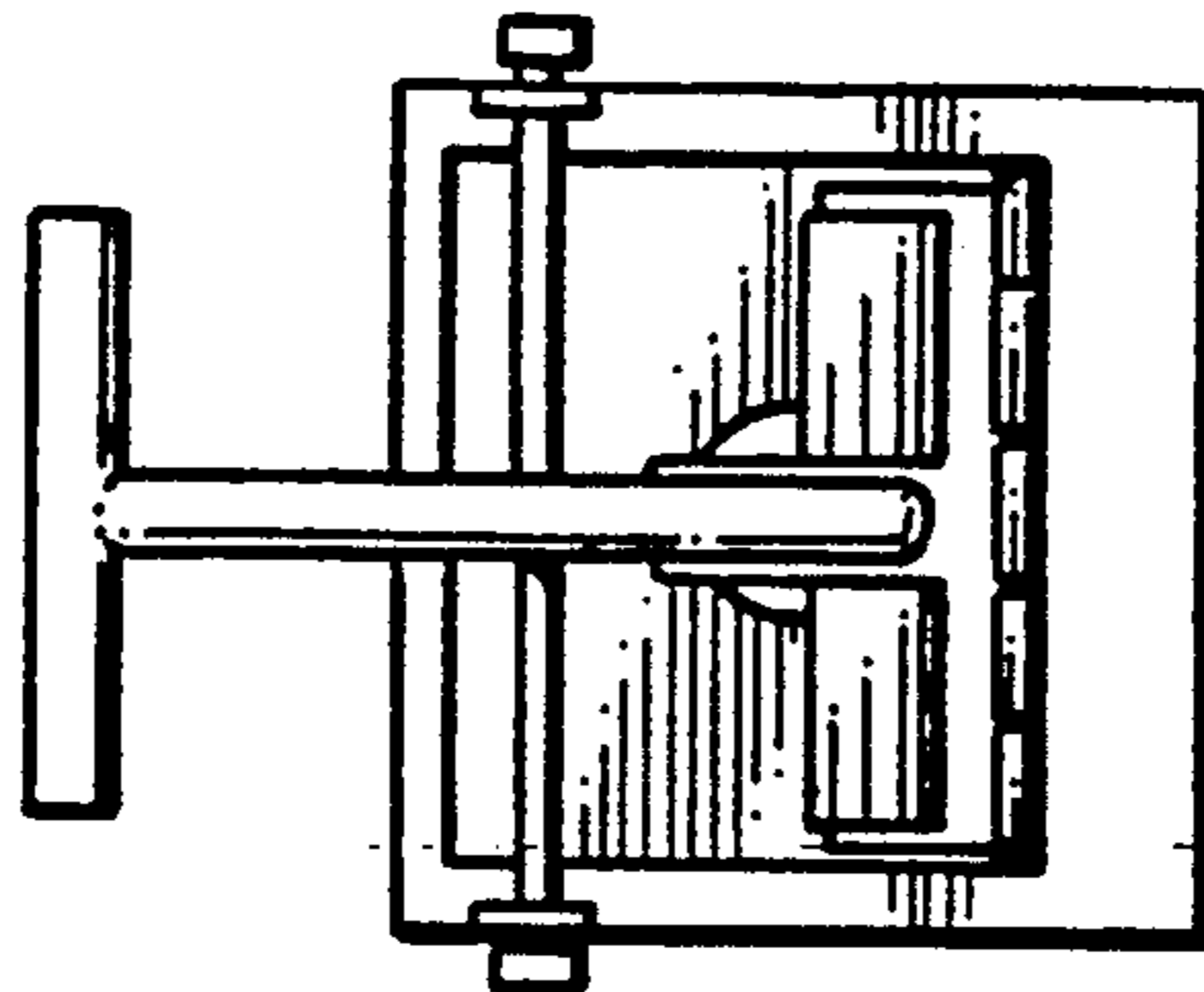


FIG. 3

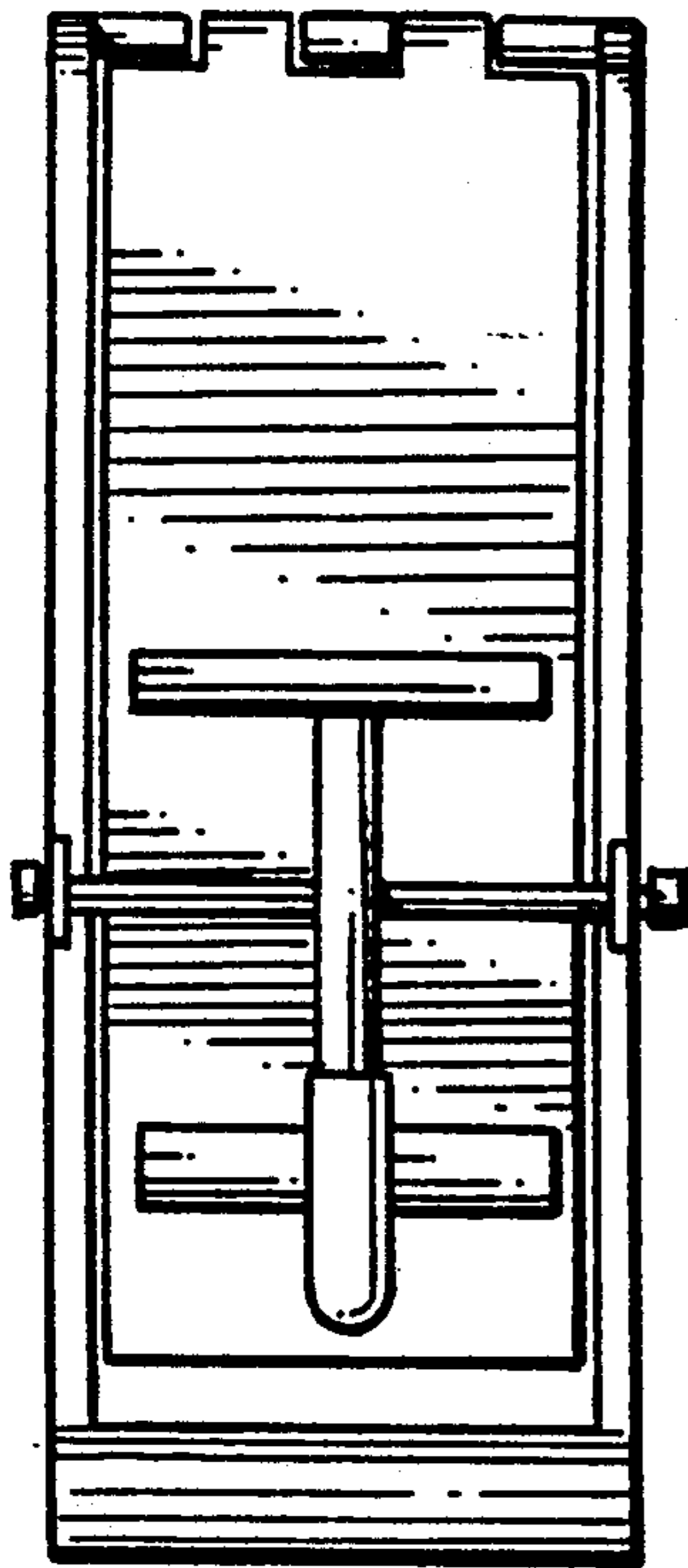


FIG. 1

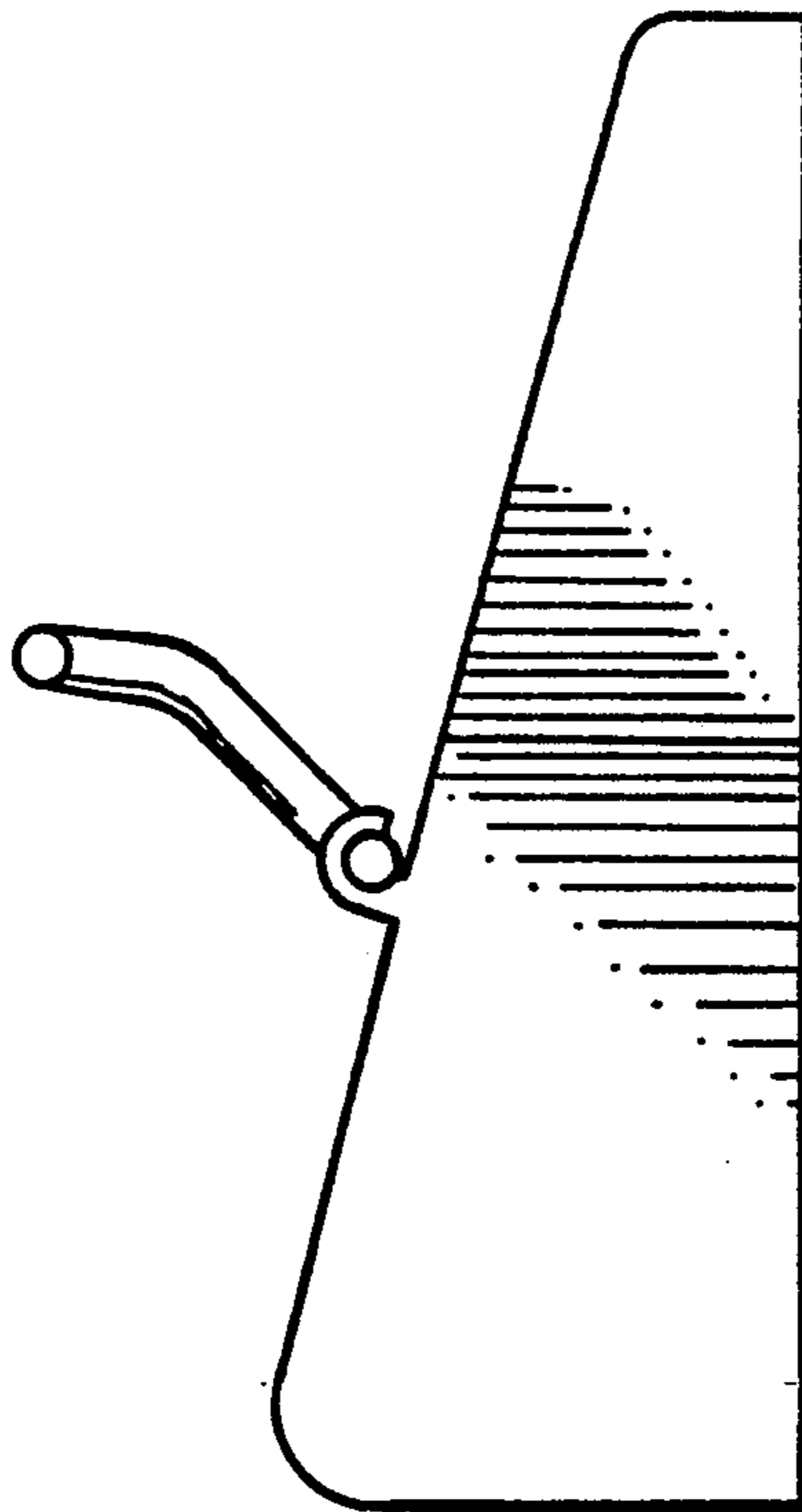


FIG. 5

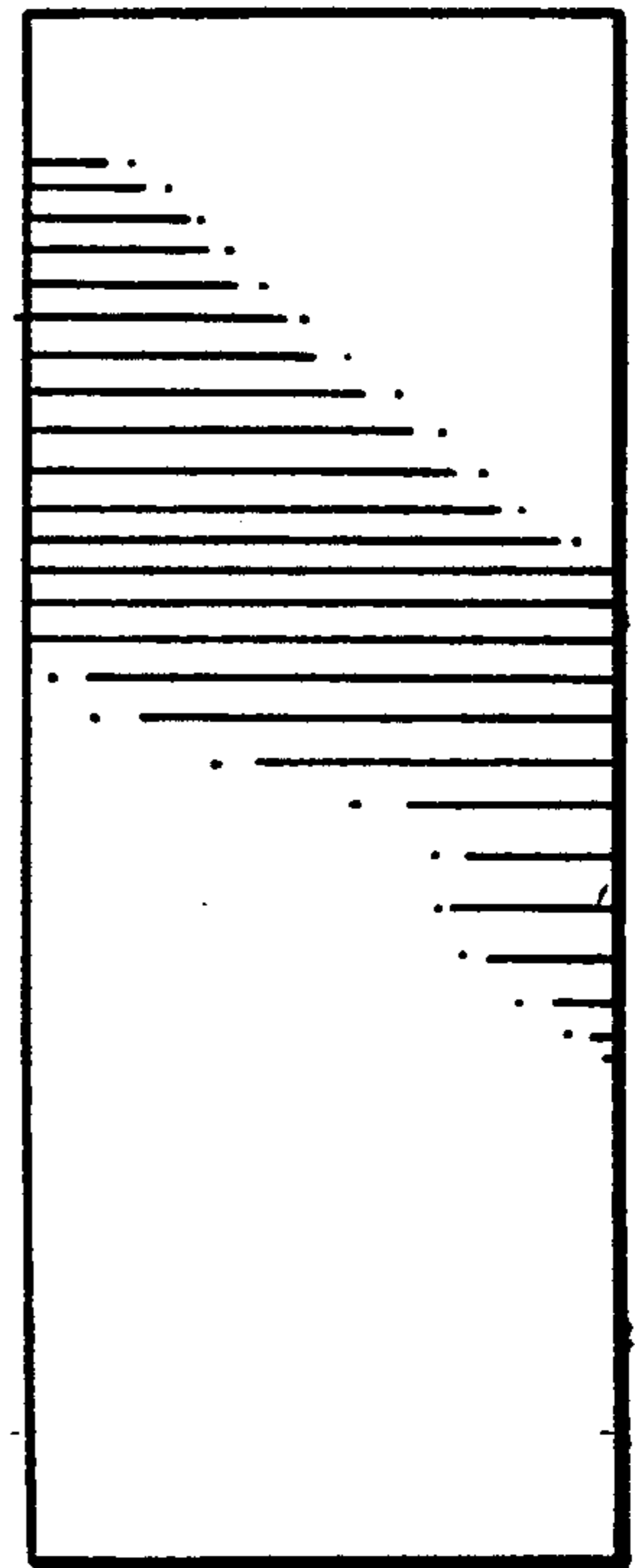


FIG. 4

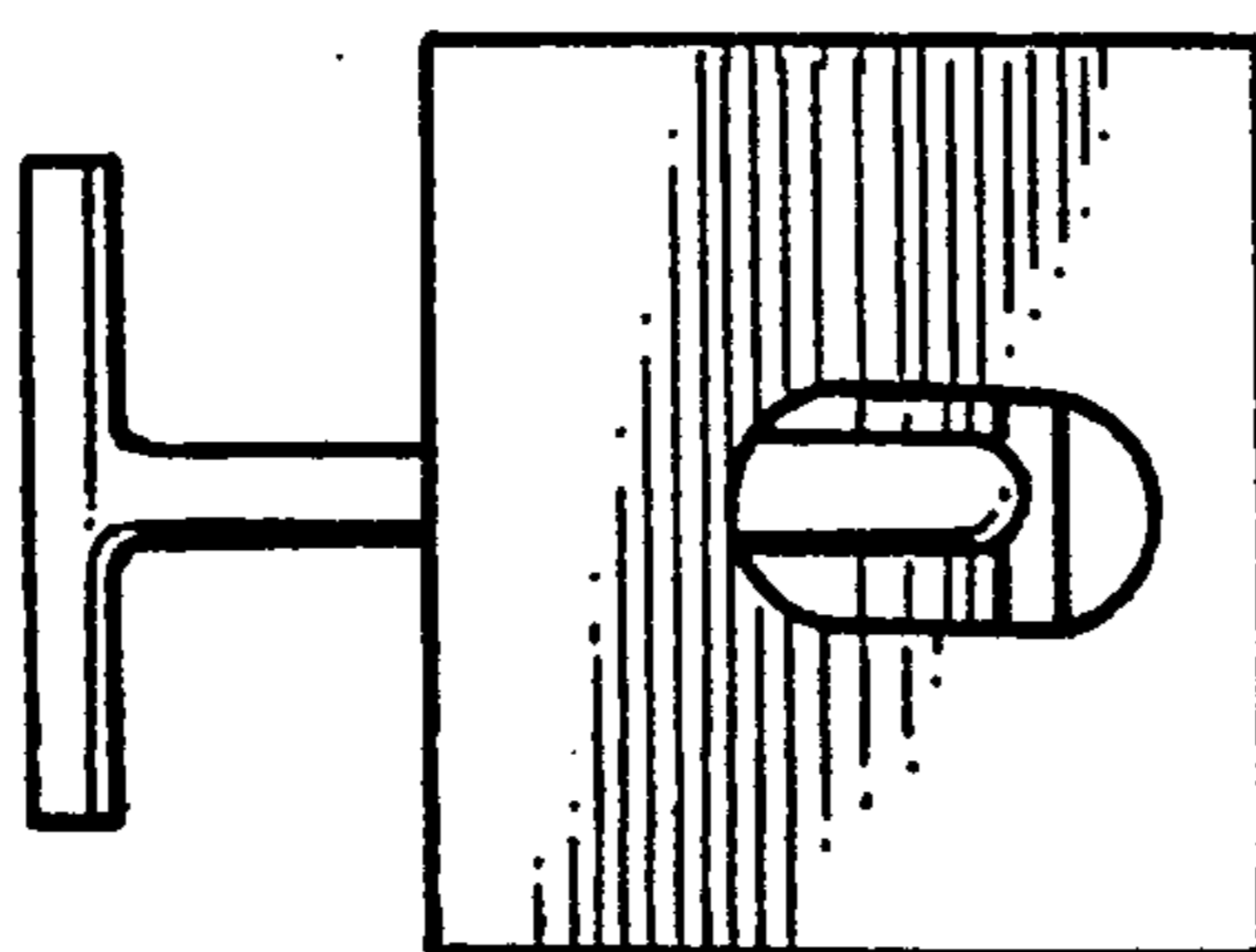


FIG. 6

