

[54] HEAT SINK

[75] Inventors: George A. Rocheleau; Michael C. Graves, both of Mesa; John France, Phoenix, all of Ariz.

[73] Assignee: Rockford Corporation, Tempe, Ariz.

[**] Term: 14 Years

[21] Appl. No.: 261,280

[22] Filed: Oct. 24, 1988

[52] U.S. Cl. D13/179

[58] Field of Search D13/123, 179; D14/188; 174/16.1, 16.3; 165/80.3, 185; 361/386, 389

[56] References Cited

U.S. PATENT DOCUMENTS

- D. 208,547 9/1967 Van Houten D13/179
- D. 218,748 9/1970 Ritzow D13/179
- D. 266,510 10/1982 Iijima D13/188
- D. 267,005 11/1982 Dennis D13/179

- D. 281,315 11/1985 Kjeld D13/184
- D. 296,323 6/1988 McCarthy D13/179
- 4,748,538 5/1988 Tsuji 174/16.3 X
- 4,753,290 6/1988 Gabuzda 174/16.3 X

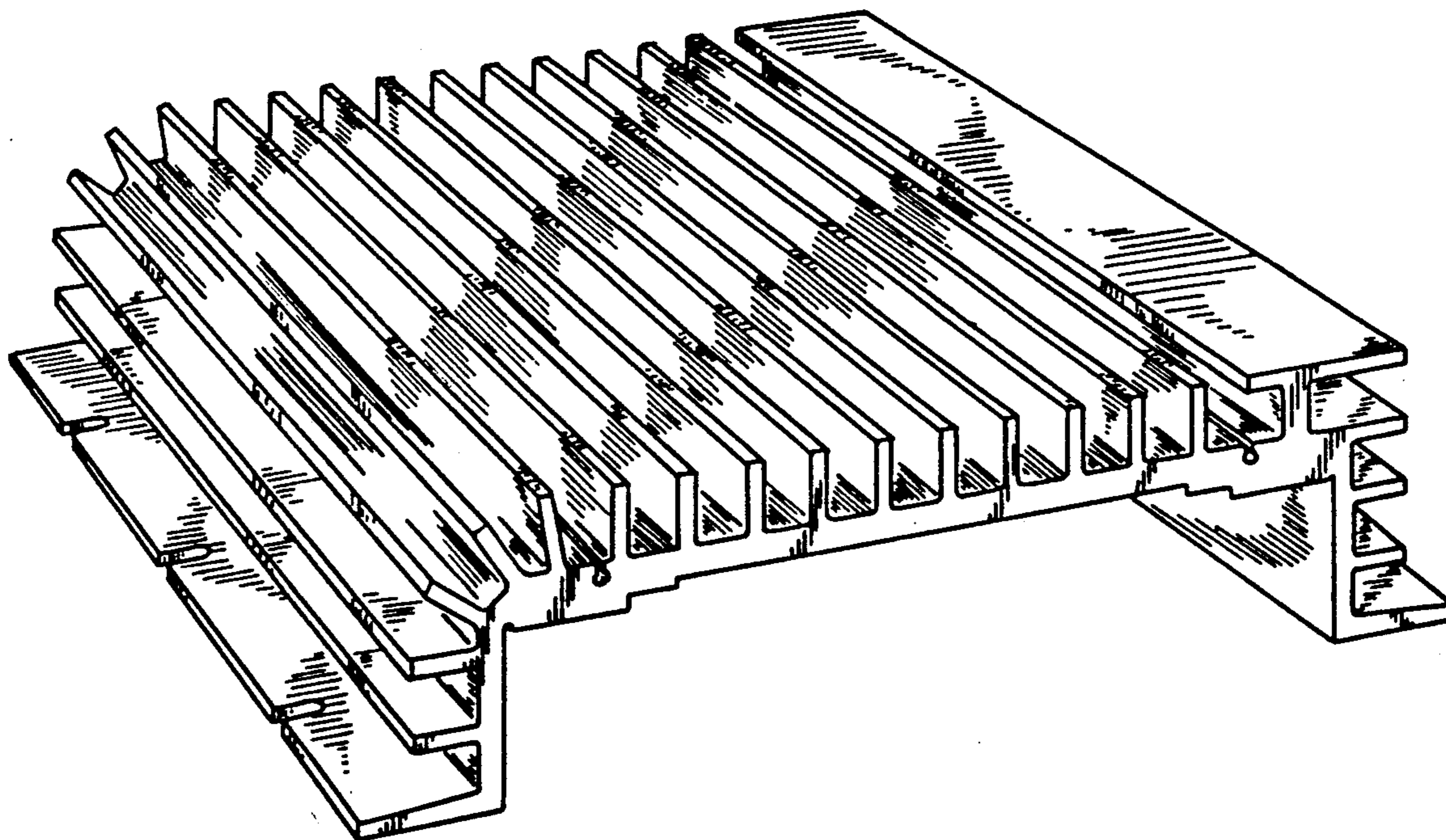
Primary Examiner—Wallace R. Burke
Assistant Examiner—Brian N. Vinson
Attorney, Agent, or Firm—Warner, Norcross & Judd

[57] CLAIM

The ornamental design for a heat sink, as shown and described.

DESCRIPTION

FIG. 1 is a front perspective view of a heat sink showing our new design;
FIG. 2 is a front elevational view thereof;
FIG. 3 is a rear elevational view thereof;
FIG. 4 is a top plan view thereof;
FIG. 5 is a bottom plan view thereof;
FIG. 6 is a left side elevational view thereof; and
FIG. 7 is a right side elevational view thereof.



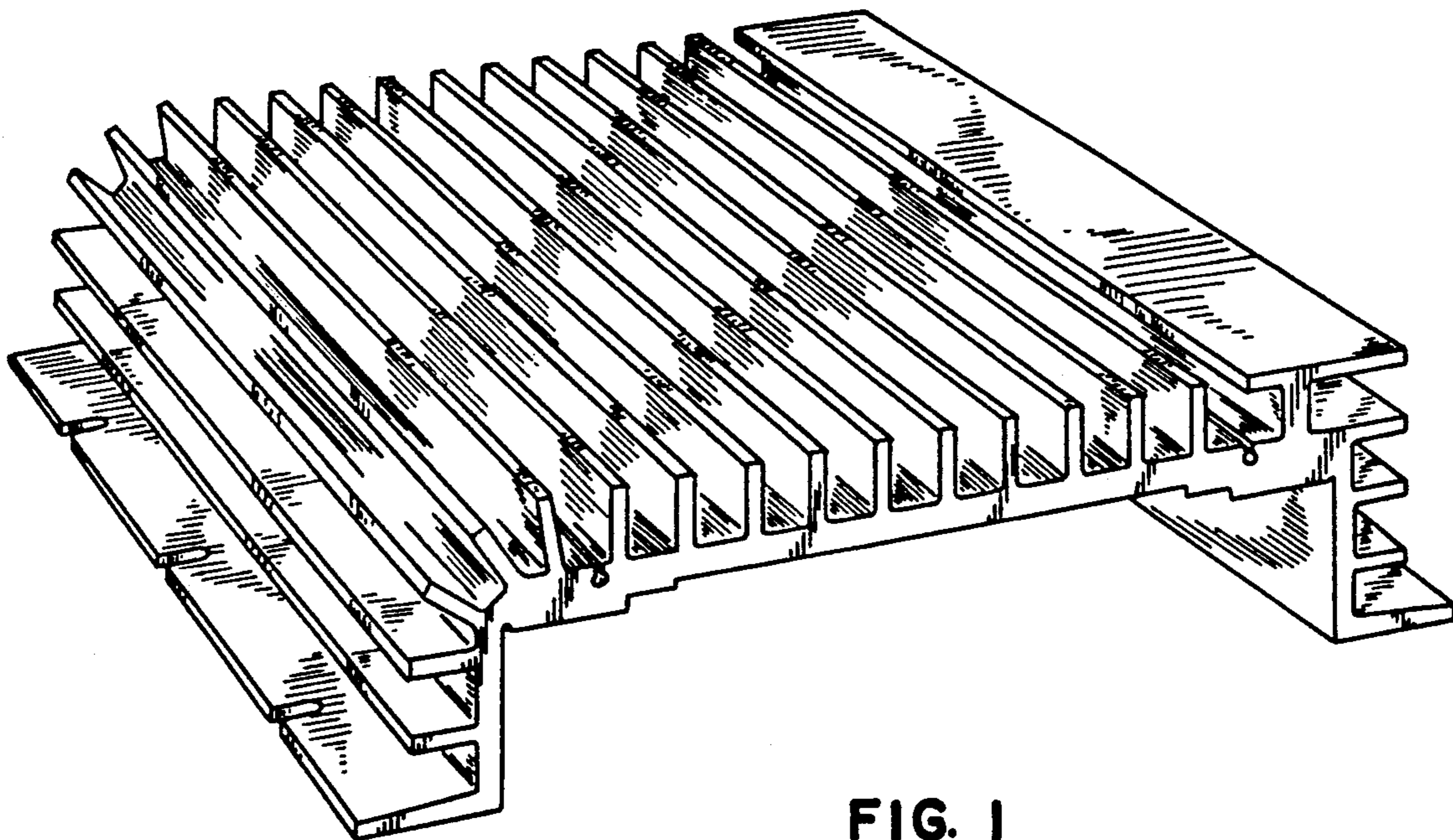


FIG. 1

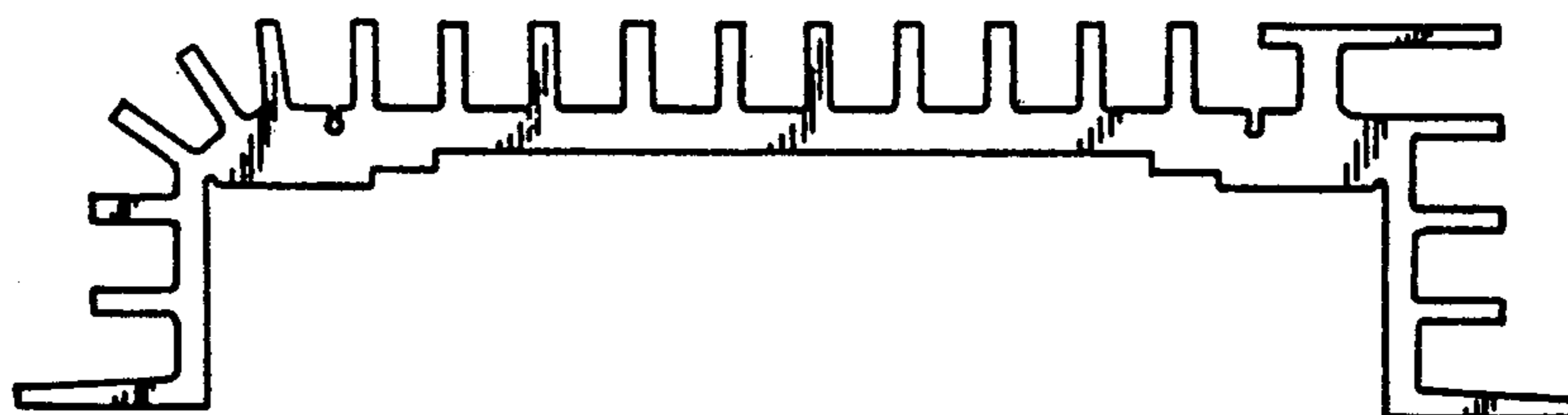


FIG. 2

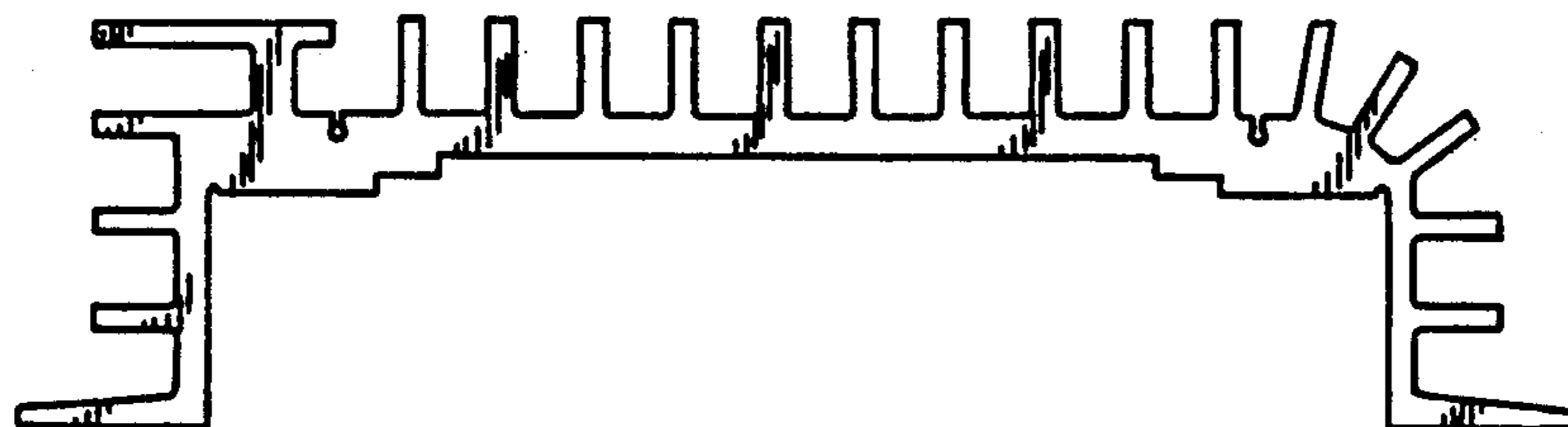


FIG. 3

FIG. 4

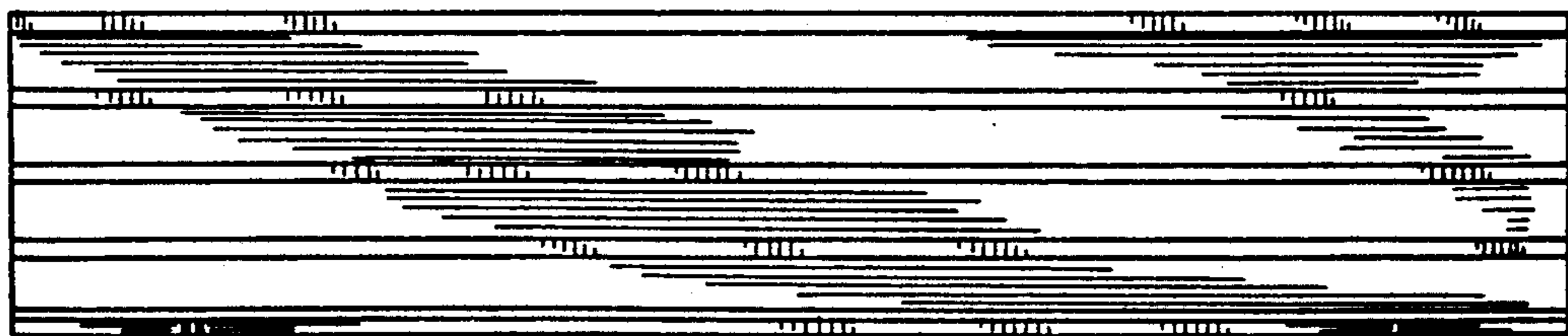
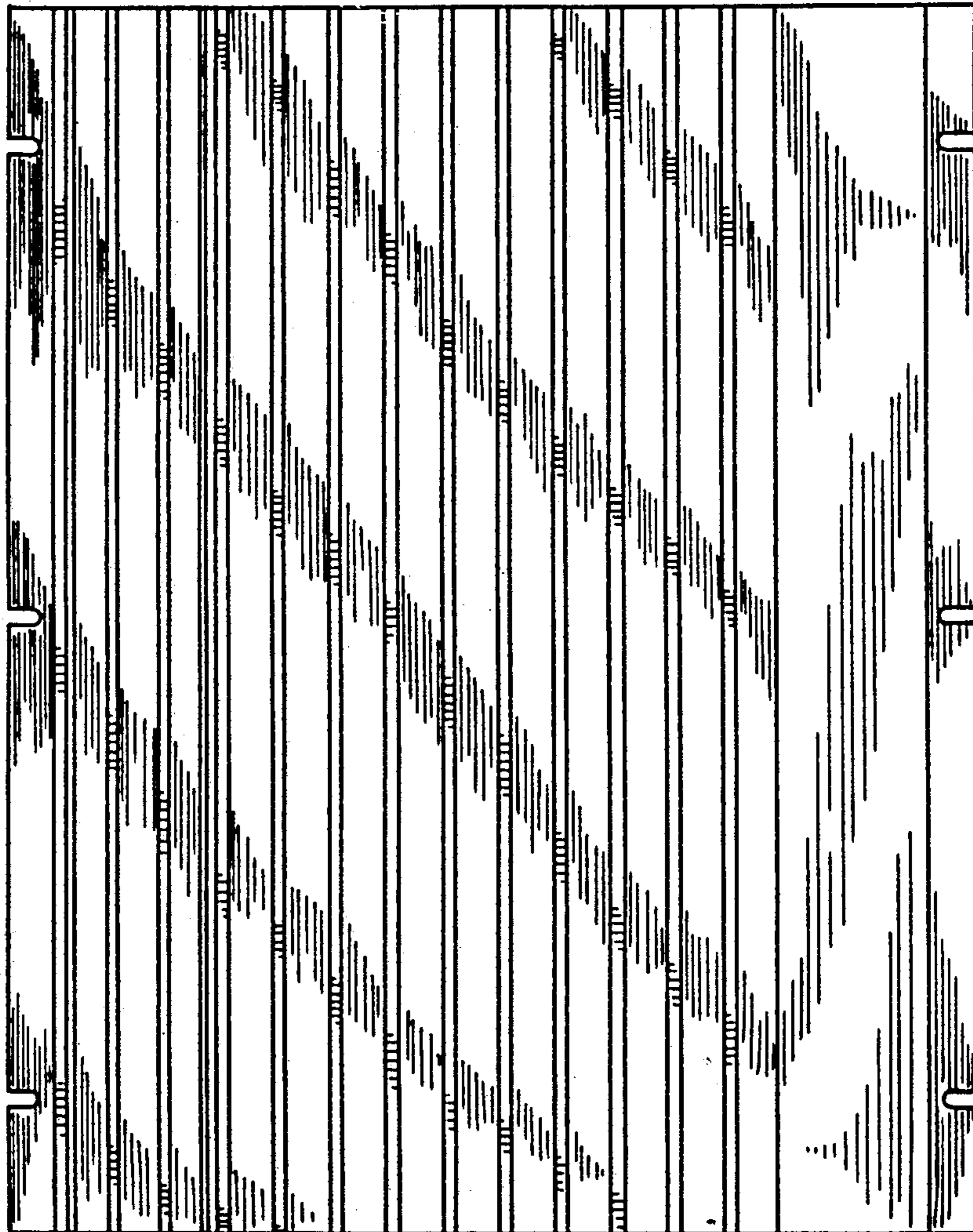


FIG. 7

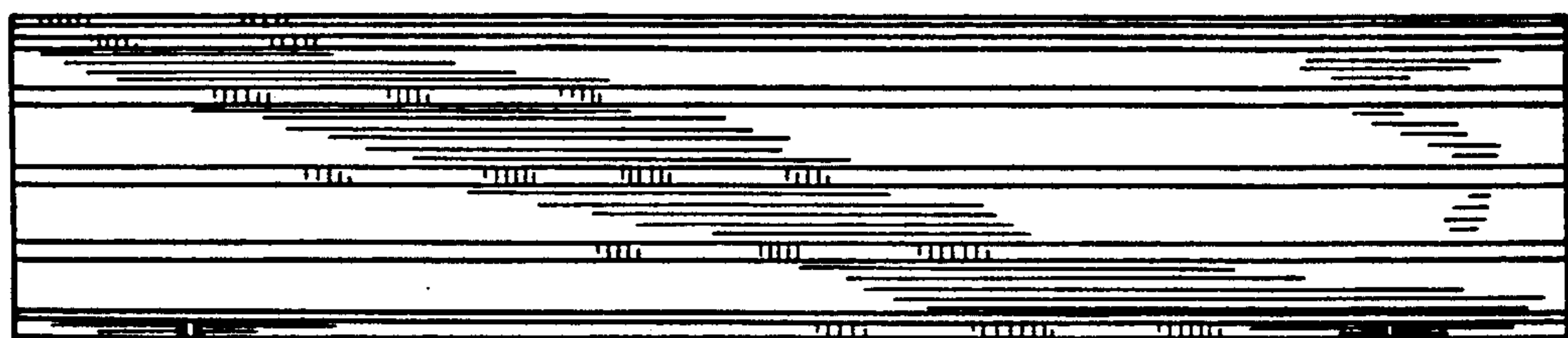


FIG. 6

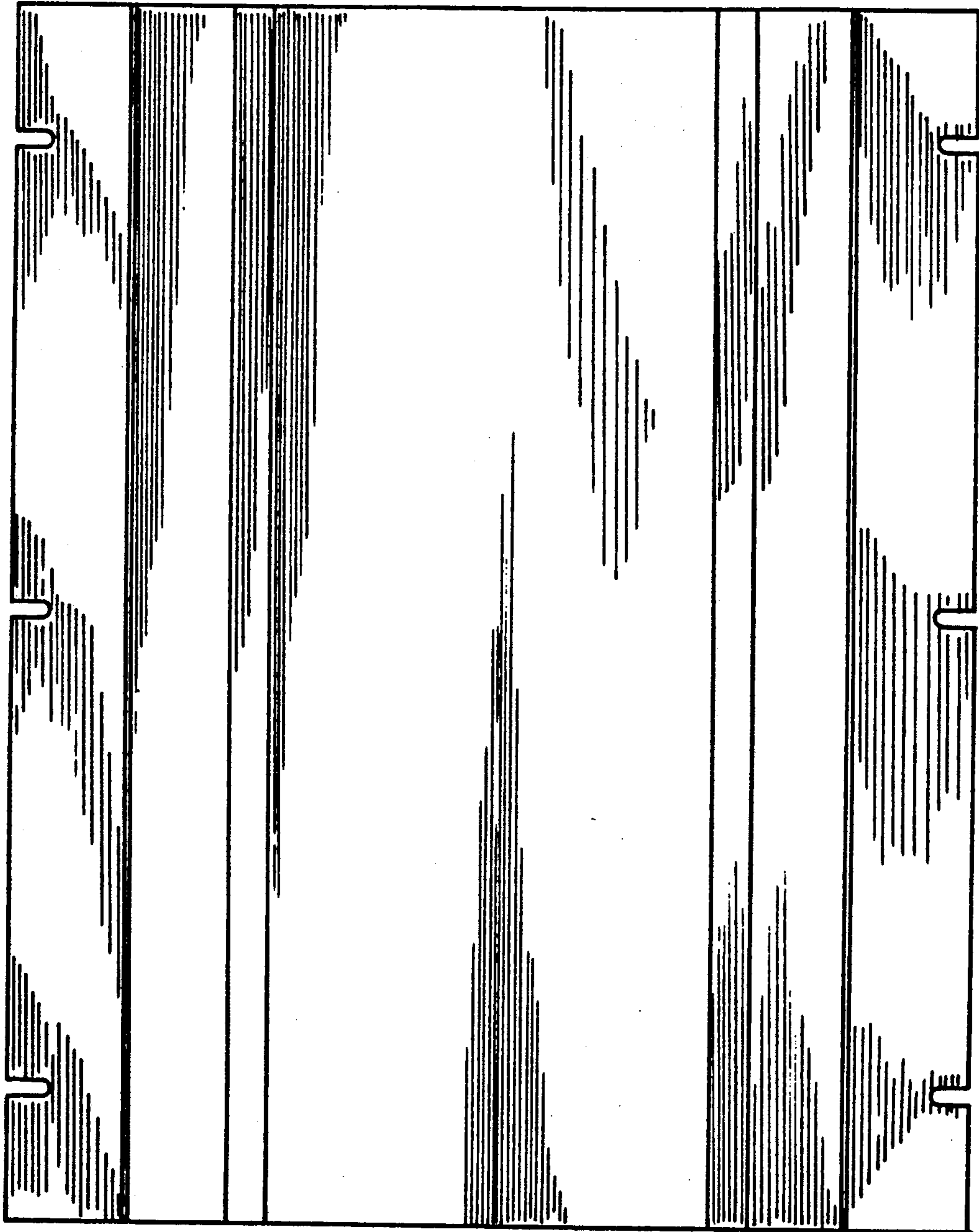


FIG. 5