

[54] COMBINED BOOK AND CONTAINER THEREFOR

[76] Inventor: Marjorie J. Walters, 2241 NW. 117th St., Oklahoma City, Okla. 73120

[\*\*] Term: 14 Years

[21] Appl. No.: 48,129

[22] Filed: May 11, 1987

[52] U.S. Cl. .... D34/27; D3/40; D19/26

[58] Field of Search ..... D3/35, 40, 99; D6/553; D12/133, 155; D19/26, 32, 34.1, 34.2, 91; D34/27; 108/44-46; 224/42.11, 42.42, 273, 275, 327, 329

[56] References Cited

U.S. PATENT DOCUMENTS

D. 57,831	5/1921	Frederick	.....	D6/553
D. 209,279	11/1967	Cohen	.....	D34/27
2,897,976	8/1959	Miller	.....	D6/553 X
3,019,908	2/1962	Theurer	.....	D6/553 X
4,685,701	8/1987	Amundson et al.	.....	D34/27 X

Primary Examiner—Louis S. Zarfaz

Attorney, Agent, or Firm—Dunlap, Coddington, Peterson & Lee

[57] CLAIM

The ornamental design for a combined book and container therefor, as shown and described.

DESCRIPTION

FIG. 1 is a perspective view of a combined book and container therefor showing my new design;

FIG. 2 is a perspective view of the container mounted on a shopping cart, with the shopping cart being shown in phantom;

FIG. 3 is an elevational view of one side of the book and container;

FIG. 4 is an elevational view of the opposite side of the book and container;

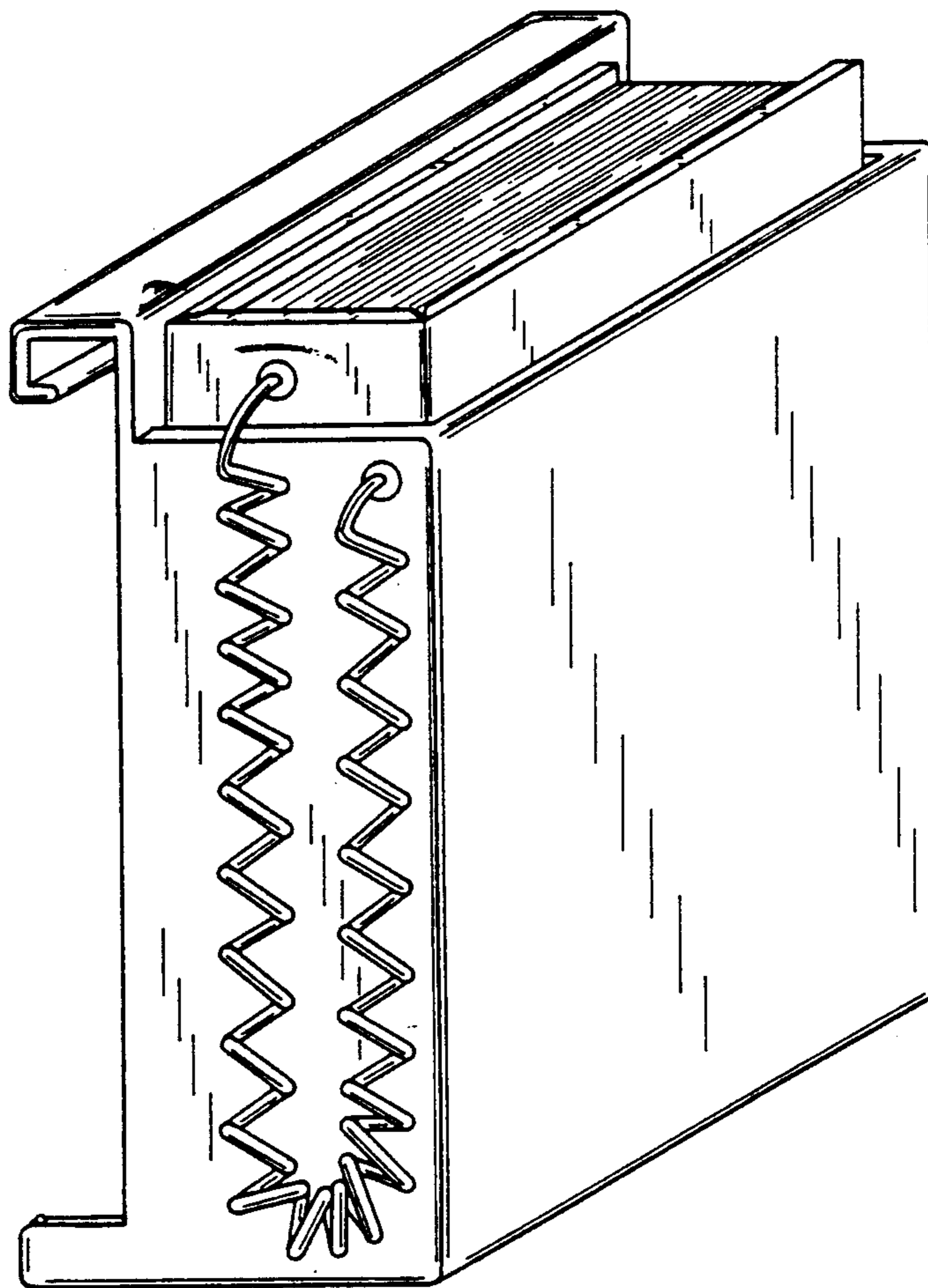
FIG. 5 is a top plan view thereof;

FIG. 6 is a bottom plan view thereof;

FIG. 7 is an elevational view of one end of the book and container;

FIG. 8 is an elevational view of the opposite end of the book and container.

The broken line showing of a shopping cart in FIG. 2 is for illustrative purposes only and forms no part of the claimed design.



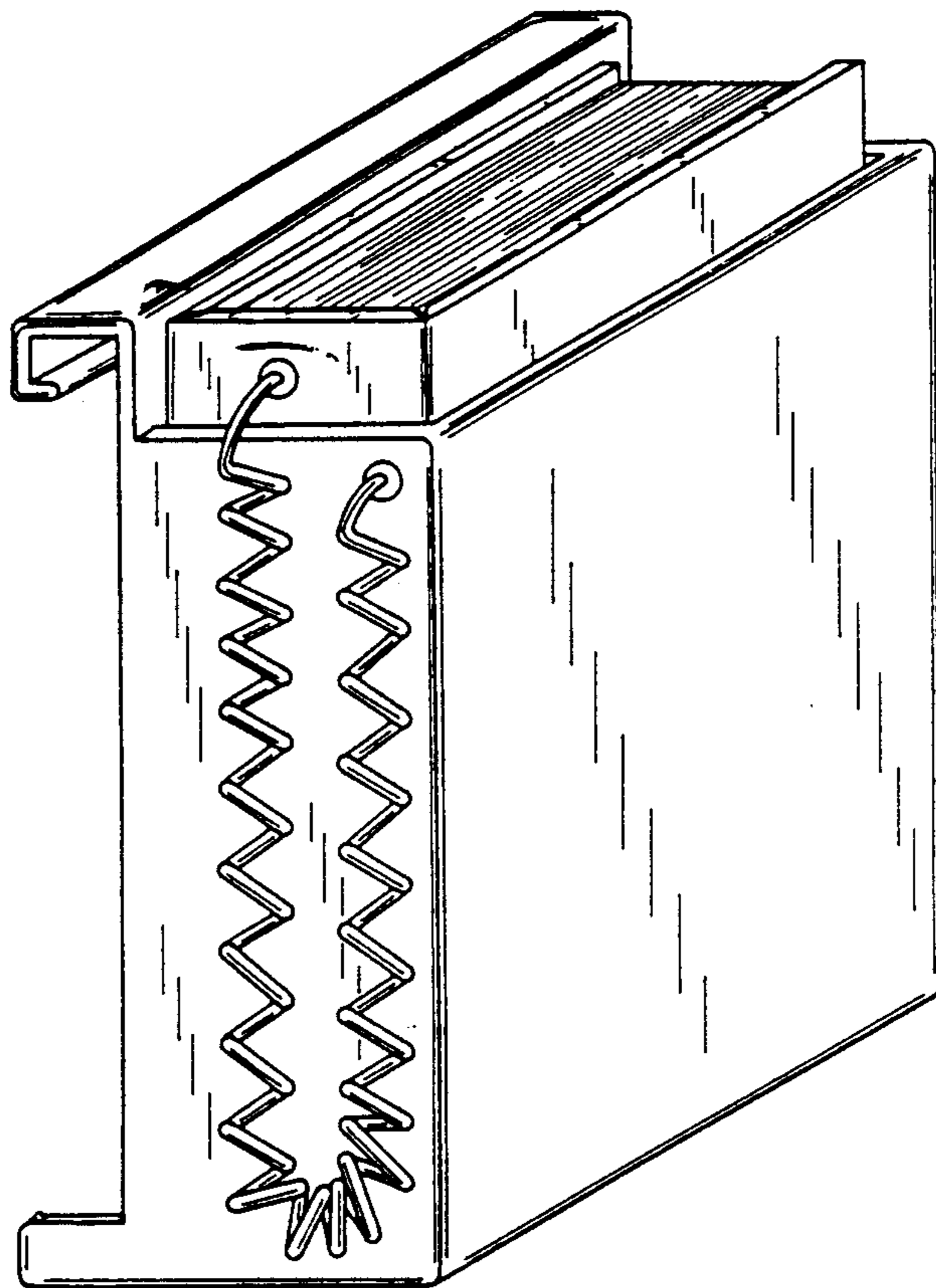


FIG. 1

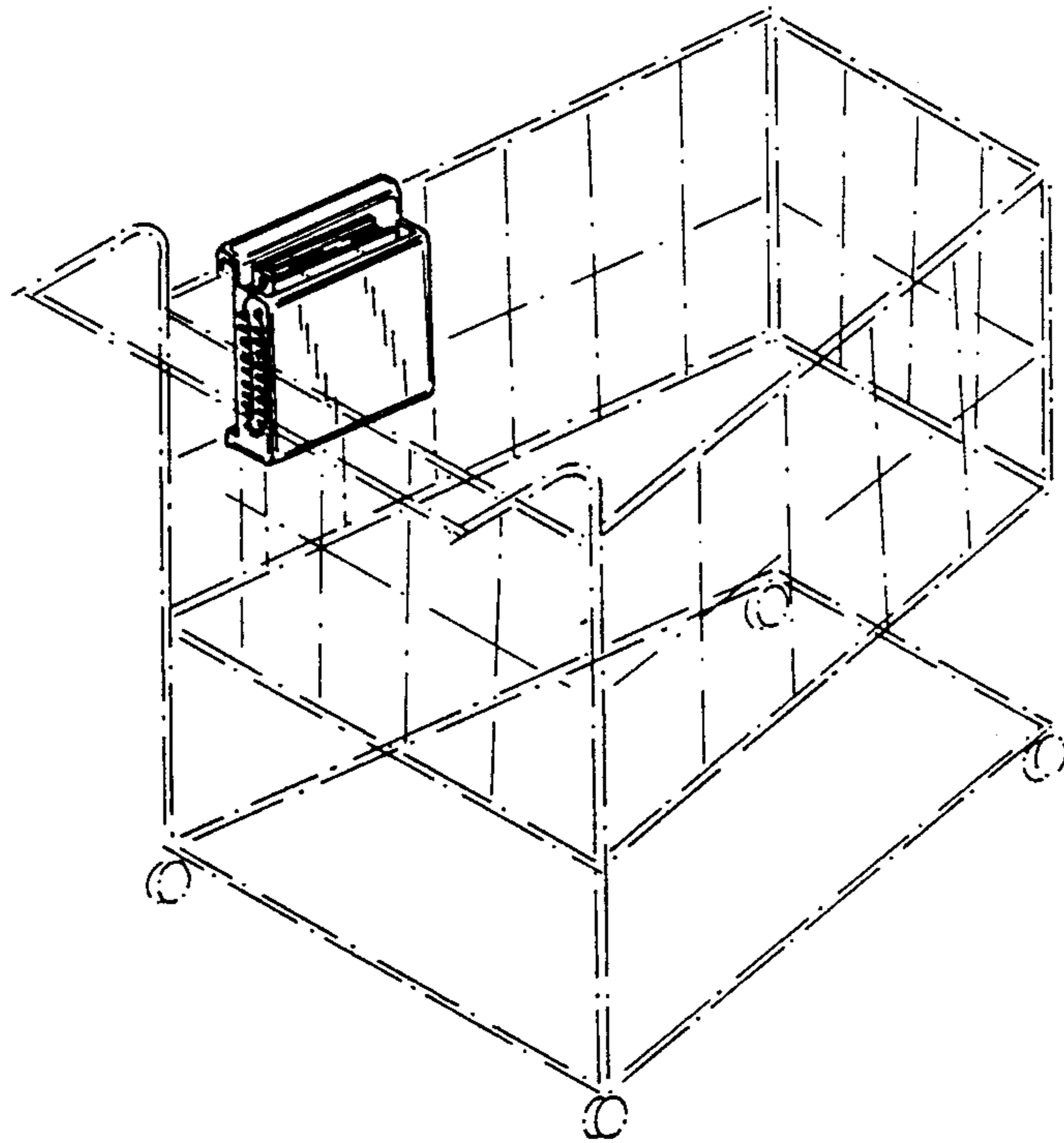


FIG. 2

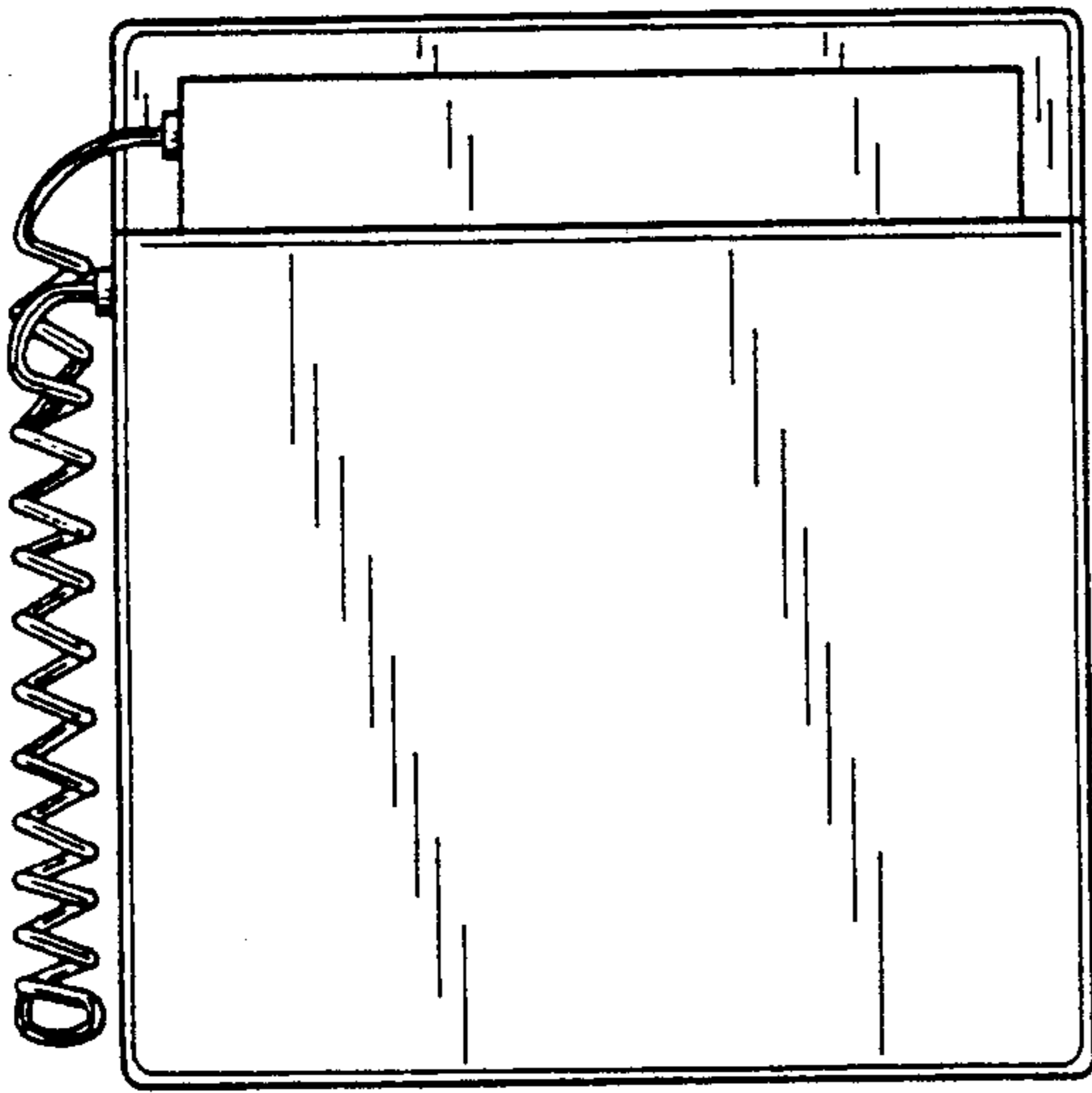


FIG. 3

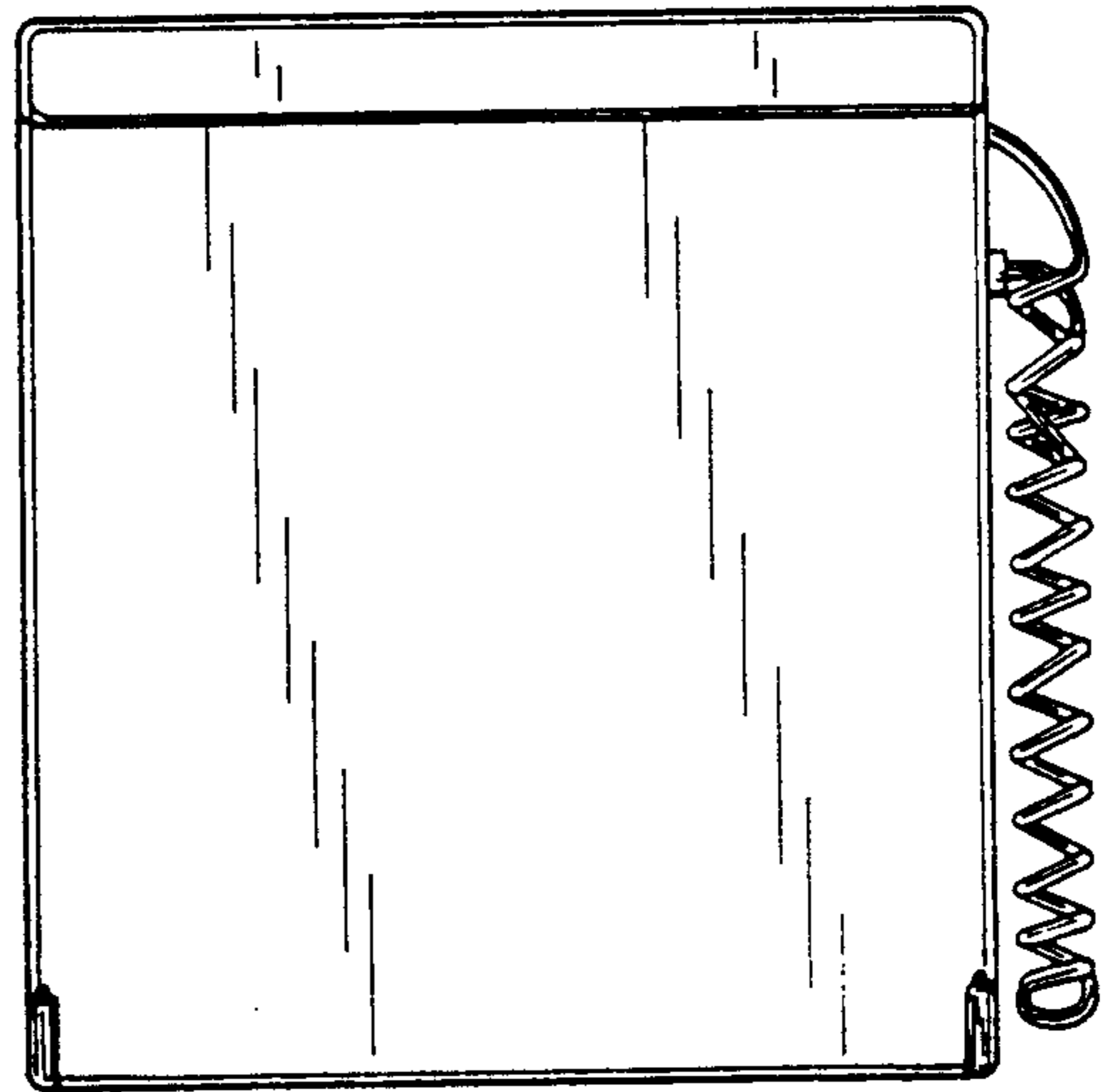


FIG. 4

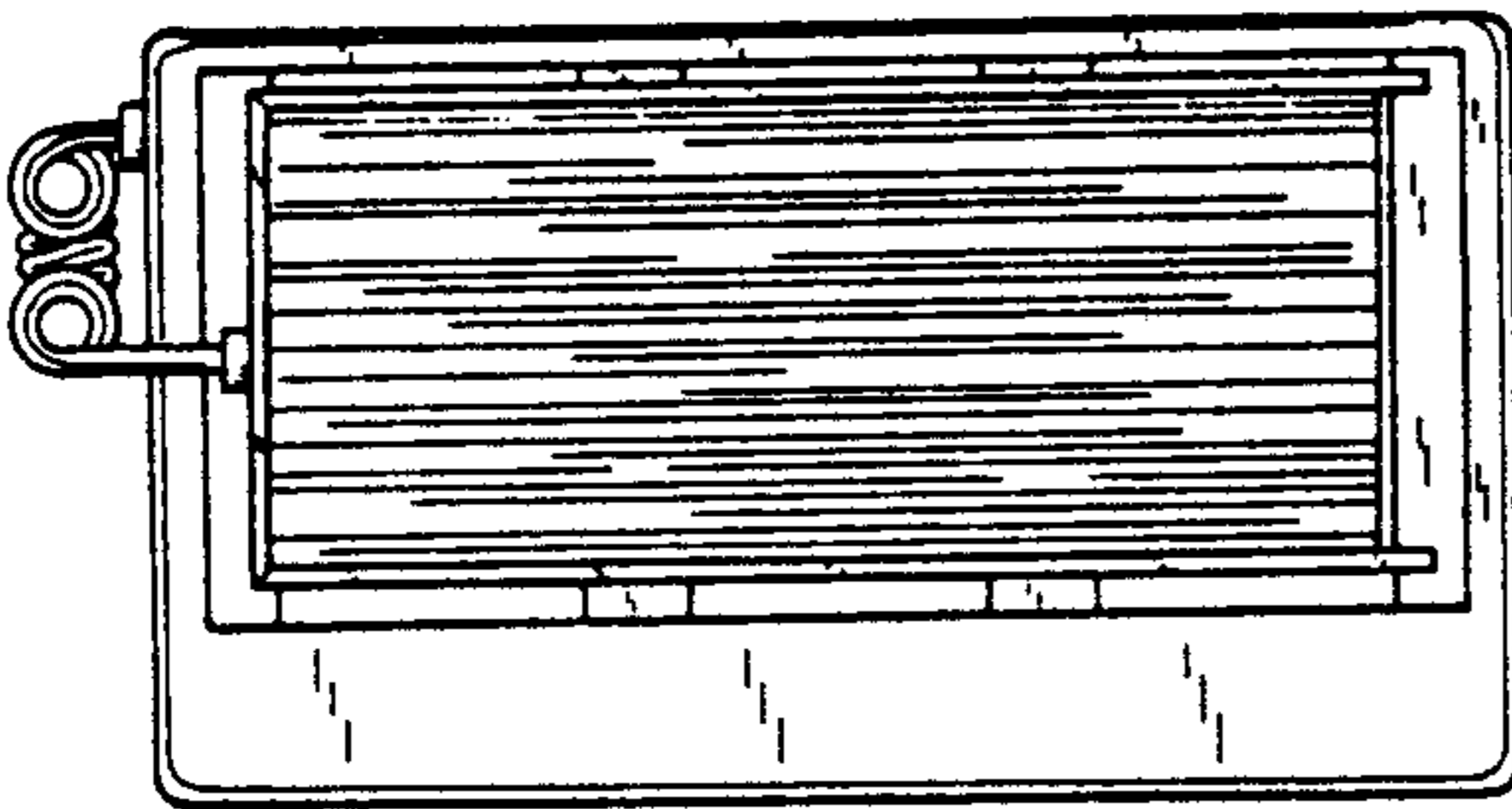


FIG. 5

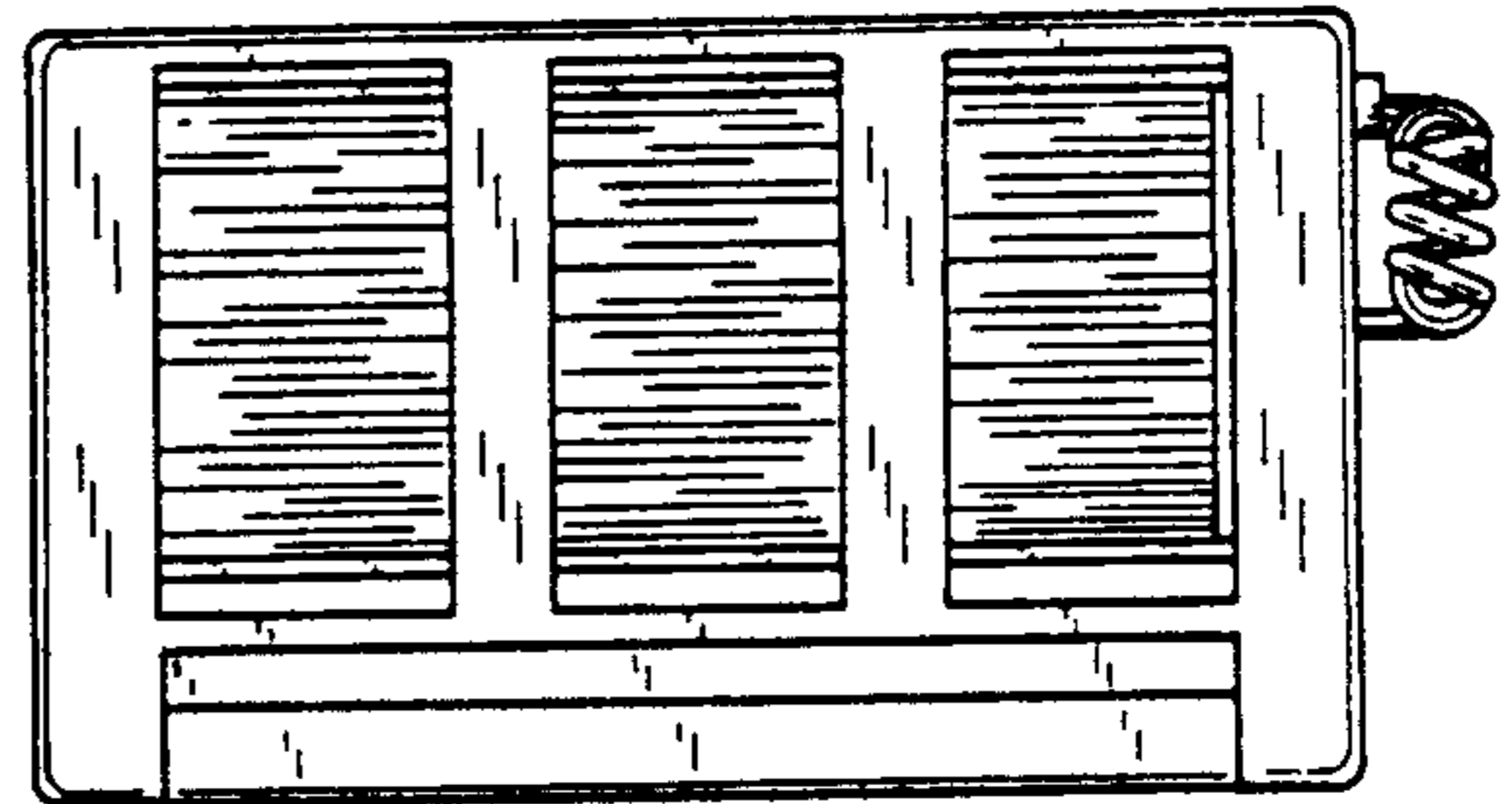


FIG. 6

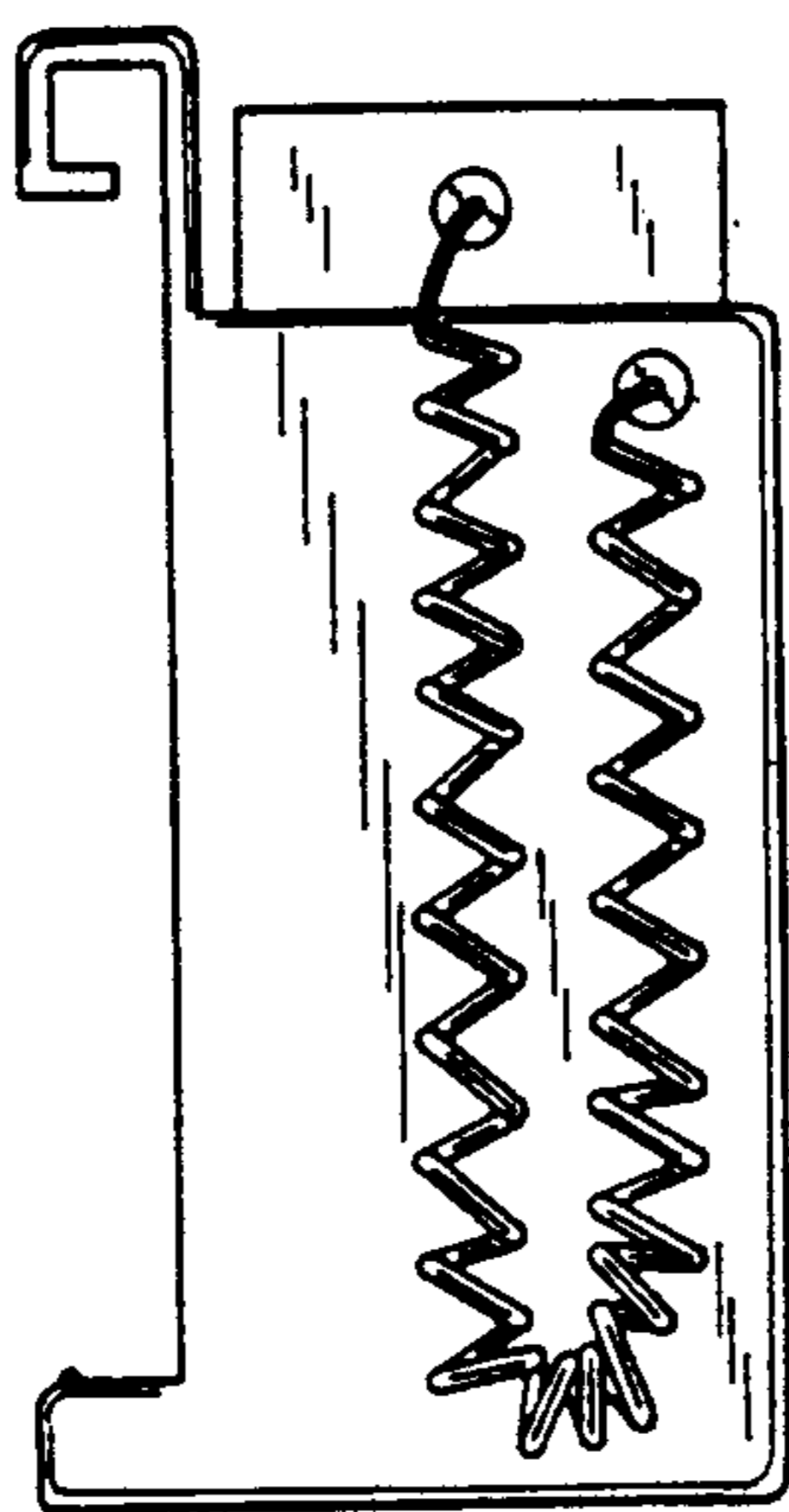


FIG. 7

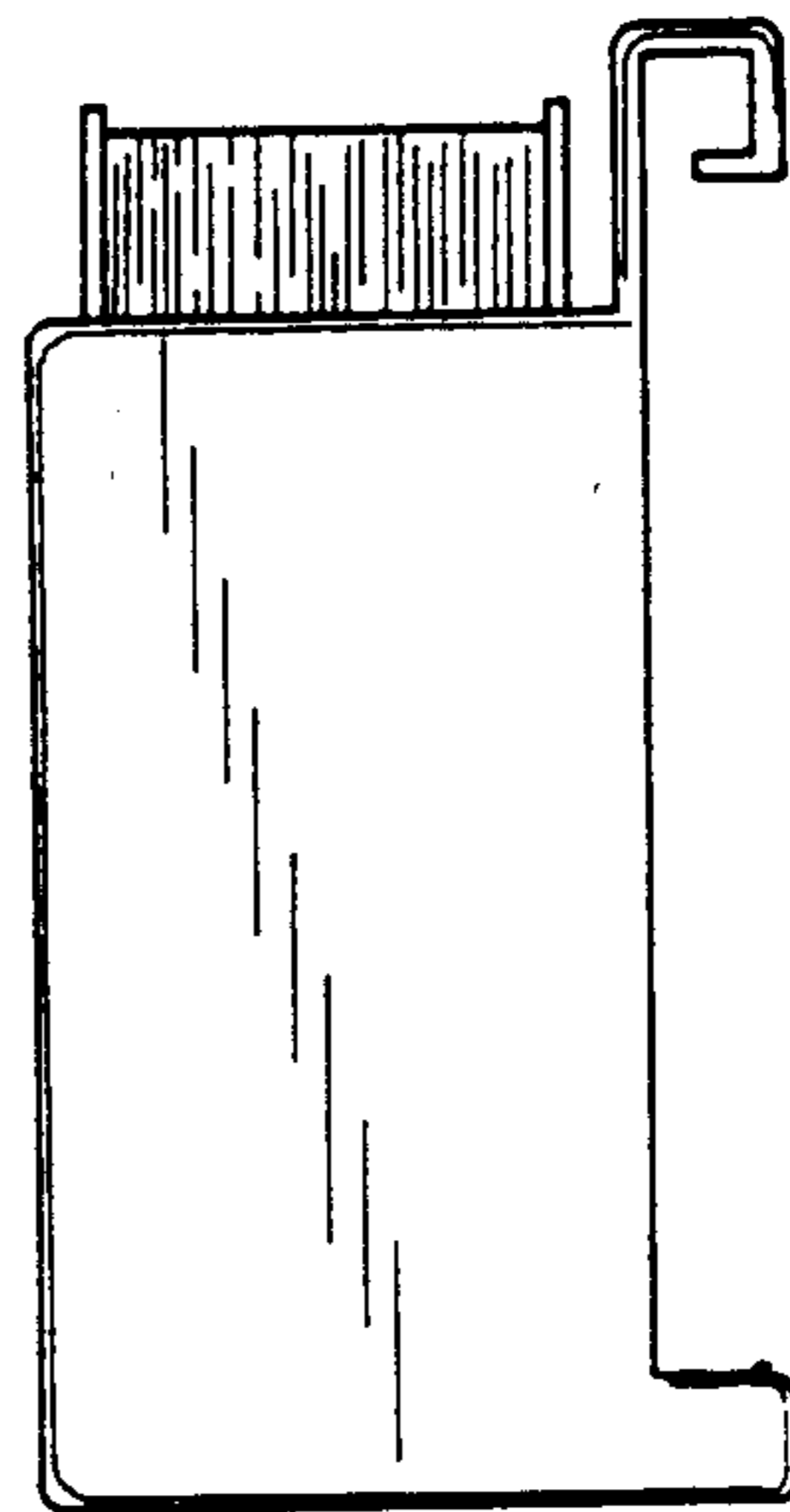


FIG. 8