

[54] FLOATING PEDESTAL FOR DOLLY  
[75] Inventor: John T. Healy, Irvine, Calif.  
[73] Assignee: Q-CO Industries, Inc., New York, N.Y.  
[\*\*] Term: 14 Years  
[21] Appl. No.: 232,635  
[22] Filed: Aug. 16, 1988

4,763,864 8/1988 Healy ..... 248/123.1

FOREIGN PATENT DOCUMENTS

2453105 5/1976 Fed. Rep. of Germany ... 248/162.1

OTHER PUBLICATIONS

O'Connor Engineering Laboratories; Model 127A Aeroped; 1988; Costa Mesa, California.

Primary Examiner—Kay H. Chin

Attorney, Agent, or Firm—Leydig, Voit & Mayer

[57] CLAIM

The ornamental design for a floating pedestal for dolly, as shown and described.

DESCRIPTION

FIG. 1 is a top, front and left side perspective view of a floating pedestal for dolly showing my new design; FIG. 2 is an enlarged fragmentary front and right side perspective view taken along the line 2—2 of FIG. 1, a portion of flexible below is shown broken away for convenience of illustration; FIG. 3 is a rear elevational view thereof; and FIG. 4 is a bottom plan view thereof.

Related U.S. Application Data

[62] Division of Ser. No. 109,837, Oct. 13, 1987, Pat. No. 4,763,864.

[52] U.S. Cl. .... D34/23; D34/28

[58] Field of Search ..... D34/28, 23, 12; 280/79.11, 79.3; 248/123.1, 162.1, 631

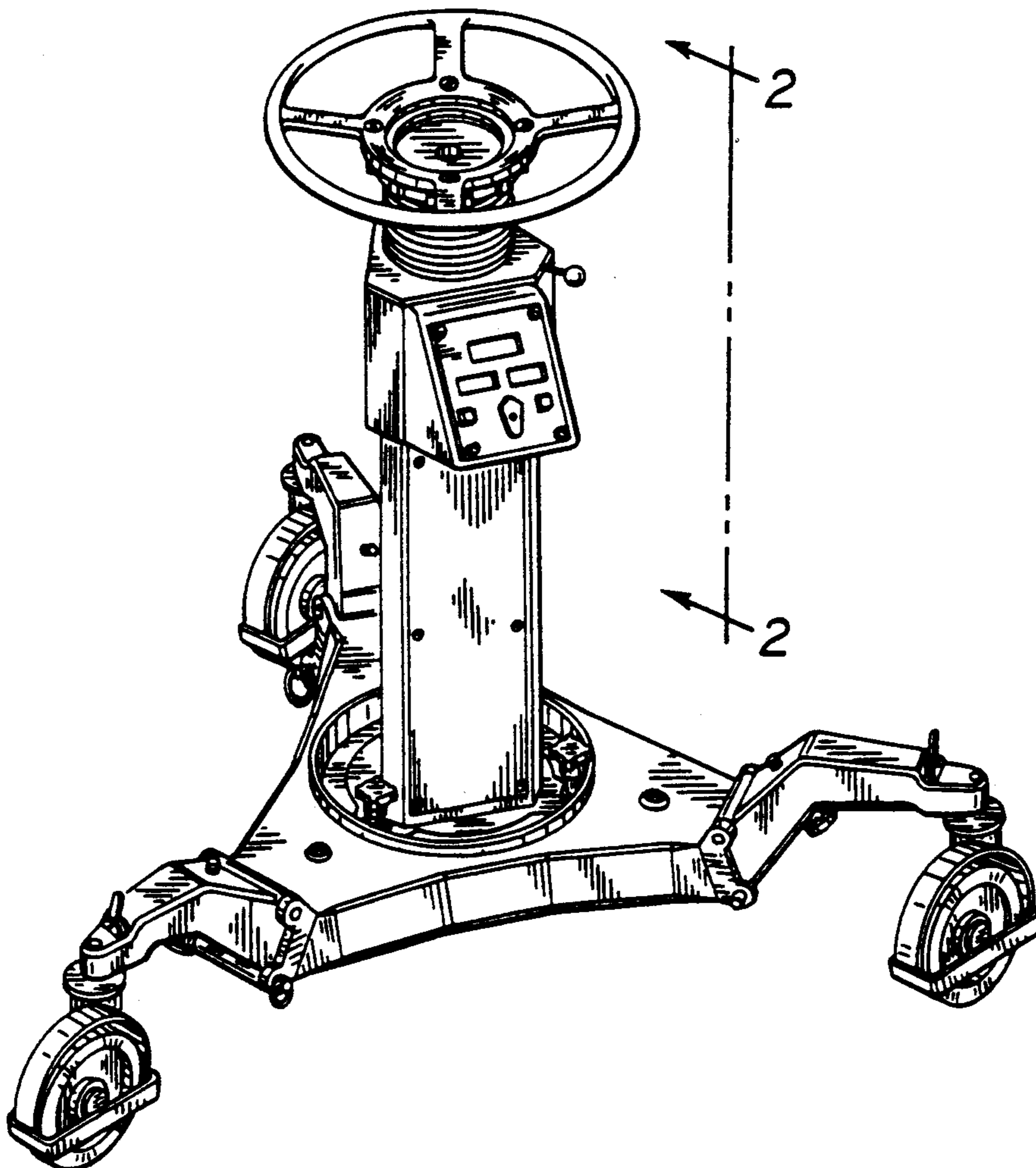
[56] References Cited

U.S. PATENT DOCUMENTS

4,241,891 12/1980 Rudolph ..... 248/123.1

4,697,773 10/1987 Jaumann et al. .... 248/162.1

4,757,970 7/1988 Nakazawa et al. .... 248/123.1



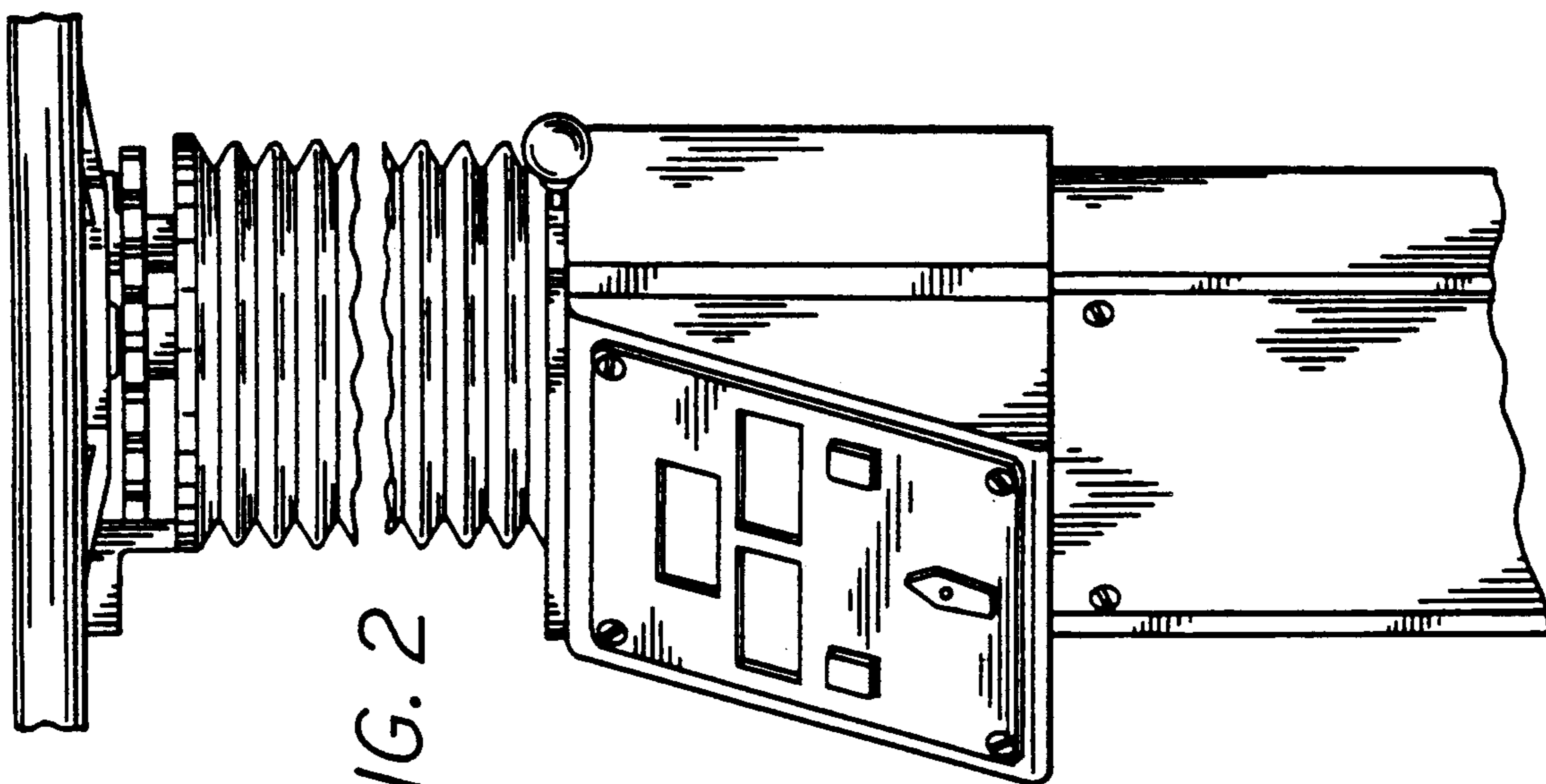


FIG. 2

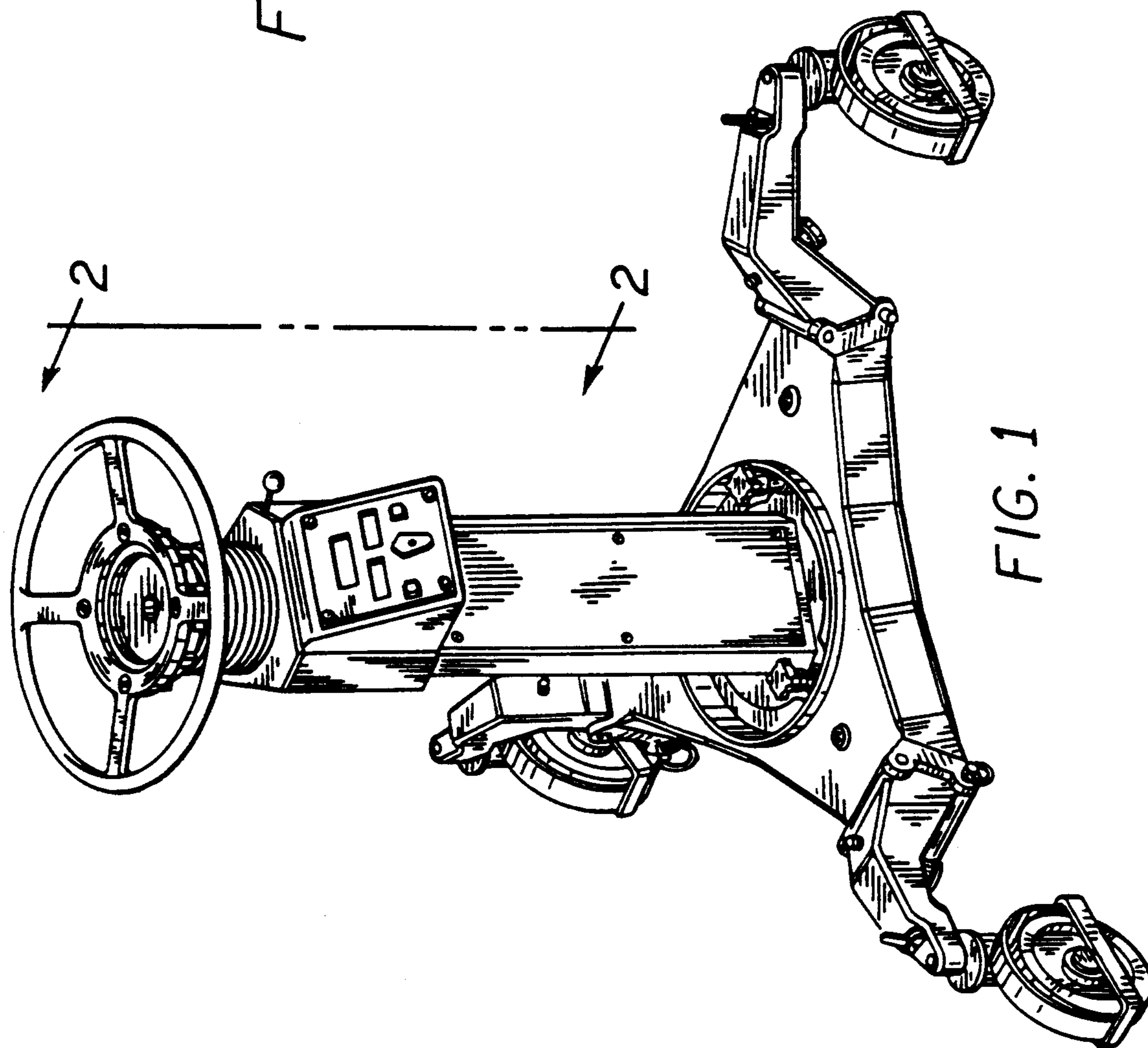


FIG. 1

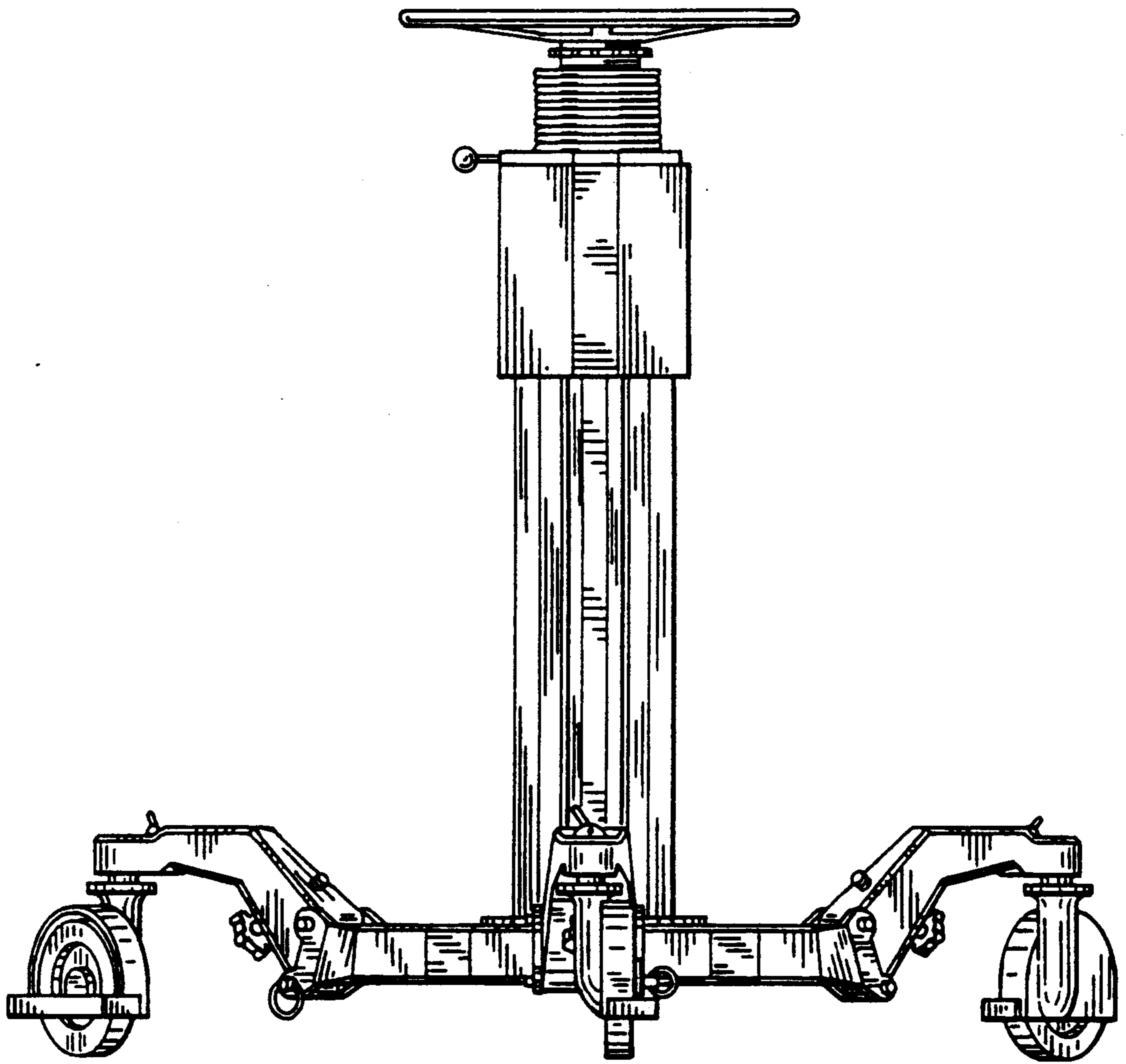


FIG. 3

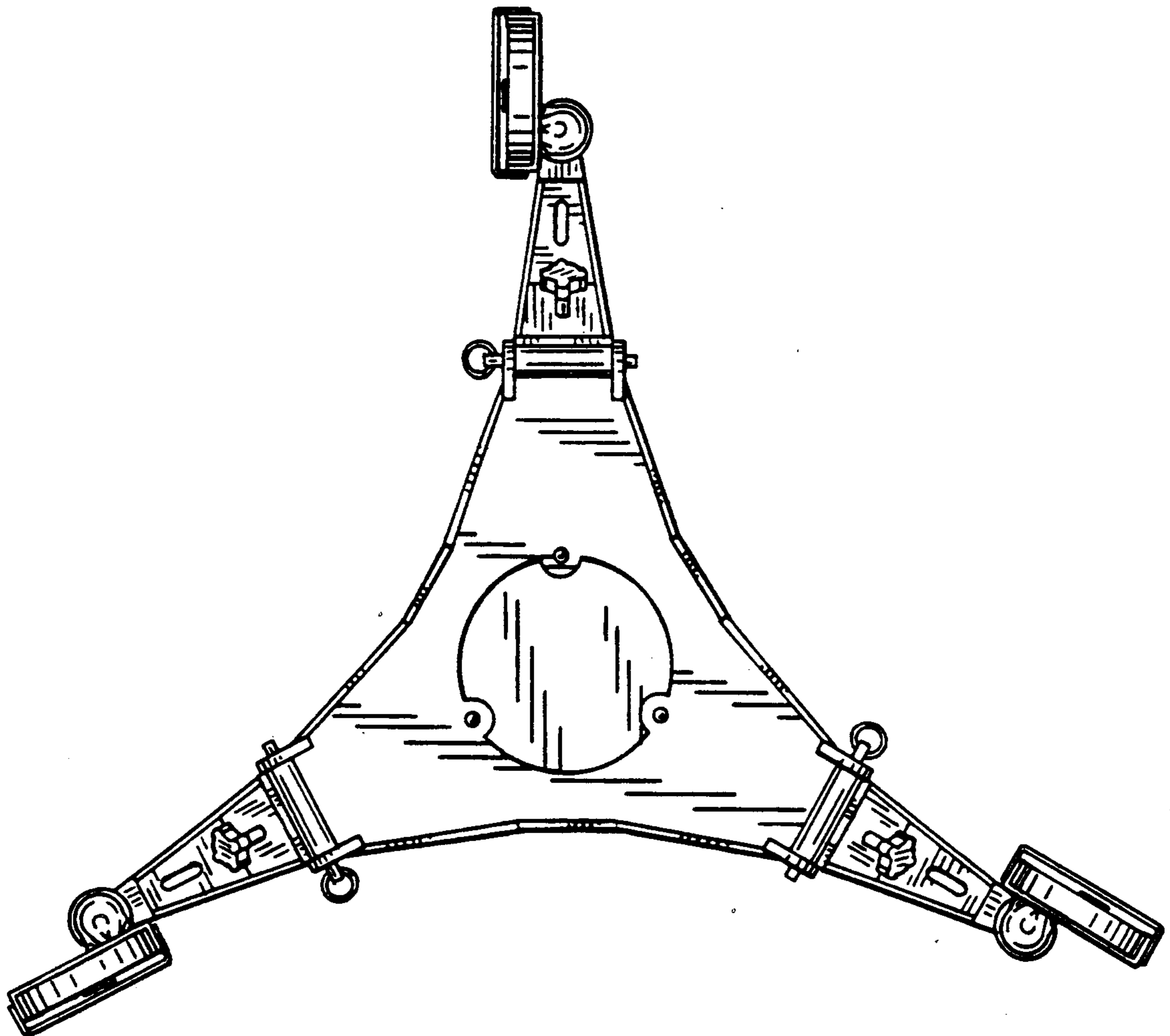


FIG. 4