

[54] **POWER CARTRIDGE CASE CLEANER**

[76] **Inventor: Gordon E. Strand, Site #60 Comp.
#8 RR#2, Winfield, B.C., Canada,
VOH 2C0**

[**] **Term: 14 Years**

[21] **Appl. No.: 110,506**

[22] **Filed: Oct. 19, 1987**

[52] **U.S. Cl. D32/1**

[58] **Field of Search D32/1, 25; D30/124,
D30/126; D15/124, 125, 126; D28/58;
D22/199; 102/442; 15/21 R, 21 D, 21 E, 23**

[56]

References Cited

U.S. PATENT DOCUMENTS

D. 204,489 4/1966 Diamond D32/4
D. 204,490 4/1966 Diamond D32/4
D. 209,735 1/1968 Smith D32/25
3,022,768 2/1962 Lynch D30/126
4,123,816 11/1978 Lupo 15/21 D

Primary Examiner—A. Hugo Word
Assistant Examiner—Ruth McInroy
Attorney, Agent, or Firm—Jerry T. Kearns

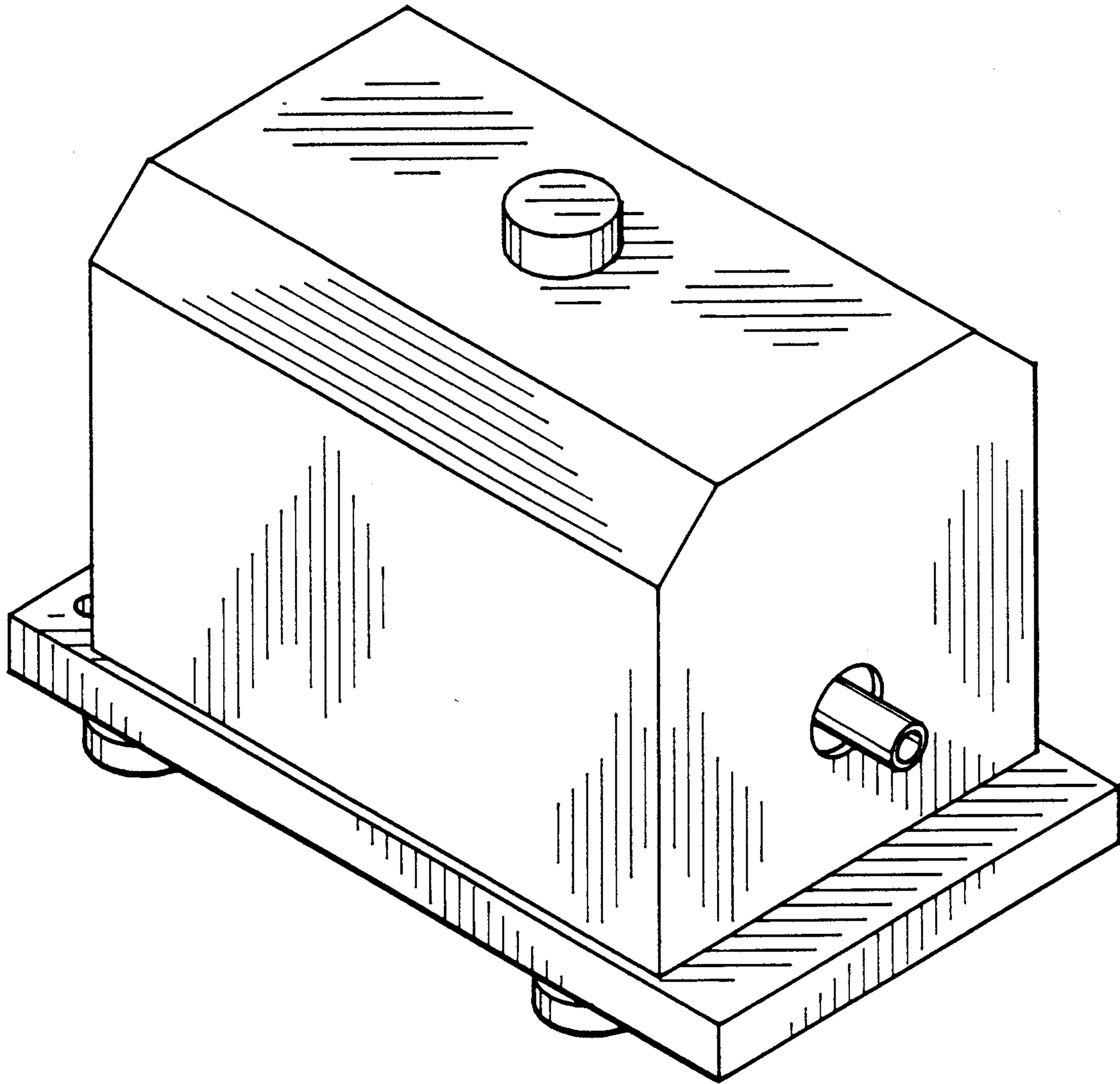
[57]

CLAIM

The ornamental design for a power cartridge case cleaner, as shown and described.

DESCRIPTION

FIG. 1 is a perspective view of a power cartridge case cleaner showing my new design; FIG. 2 is a side elevational view thereof; and, FIG. 3 is an end elevational view thereof.



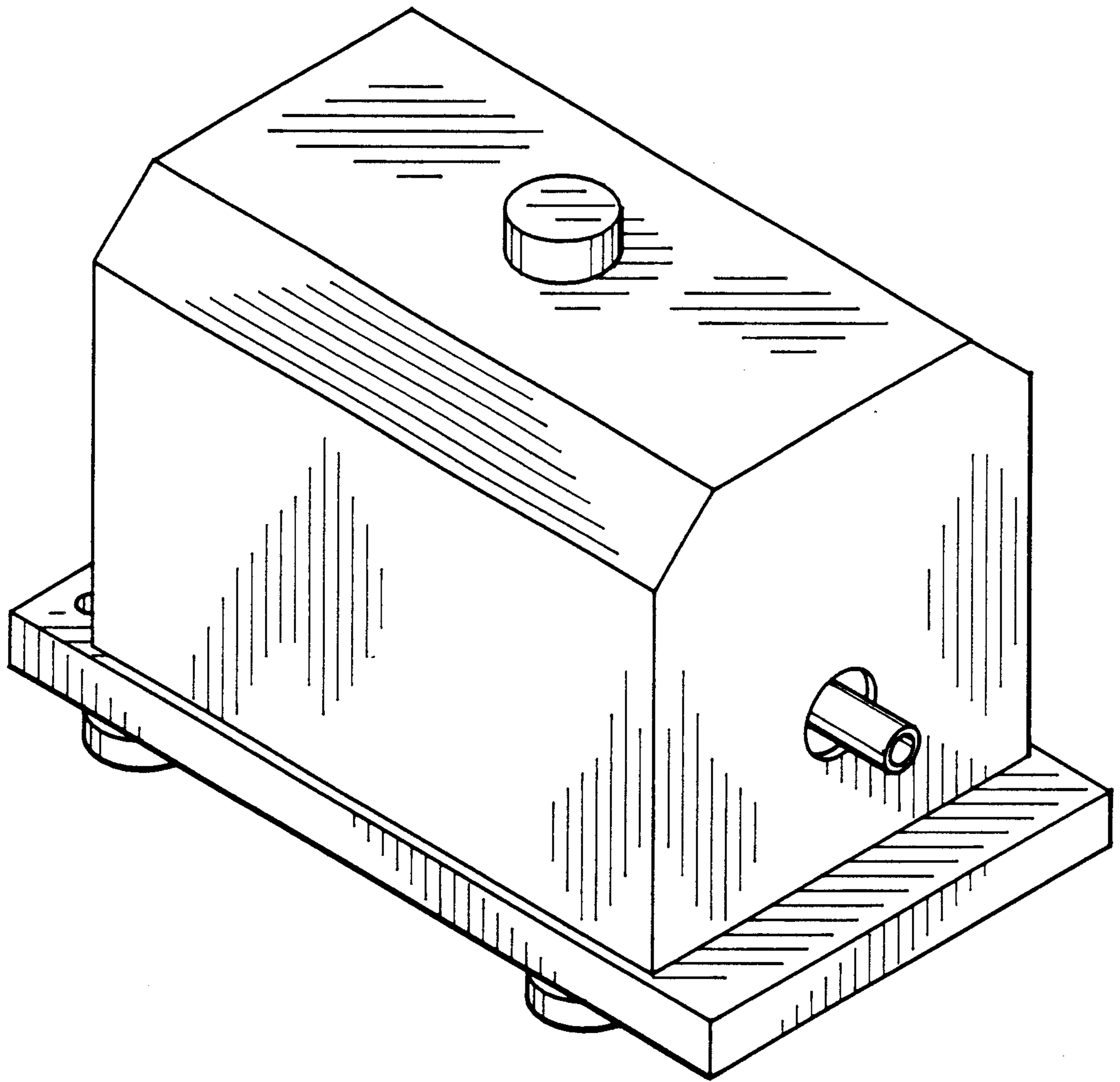


Fig. 1

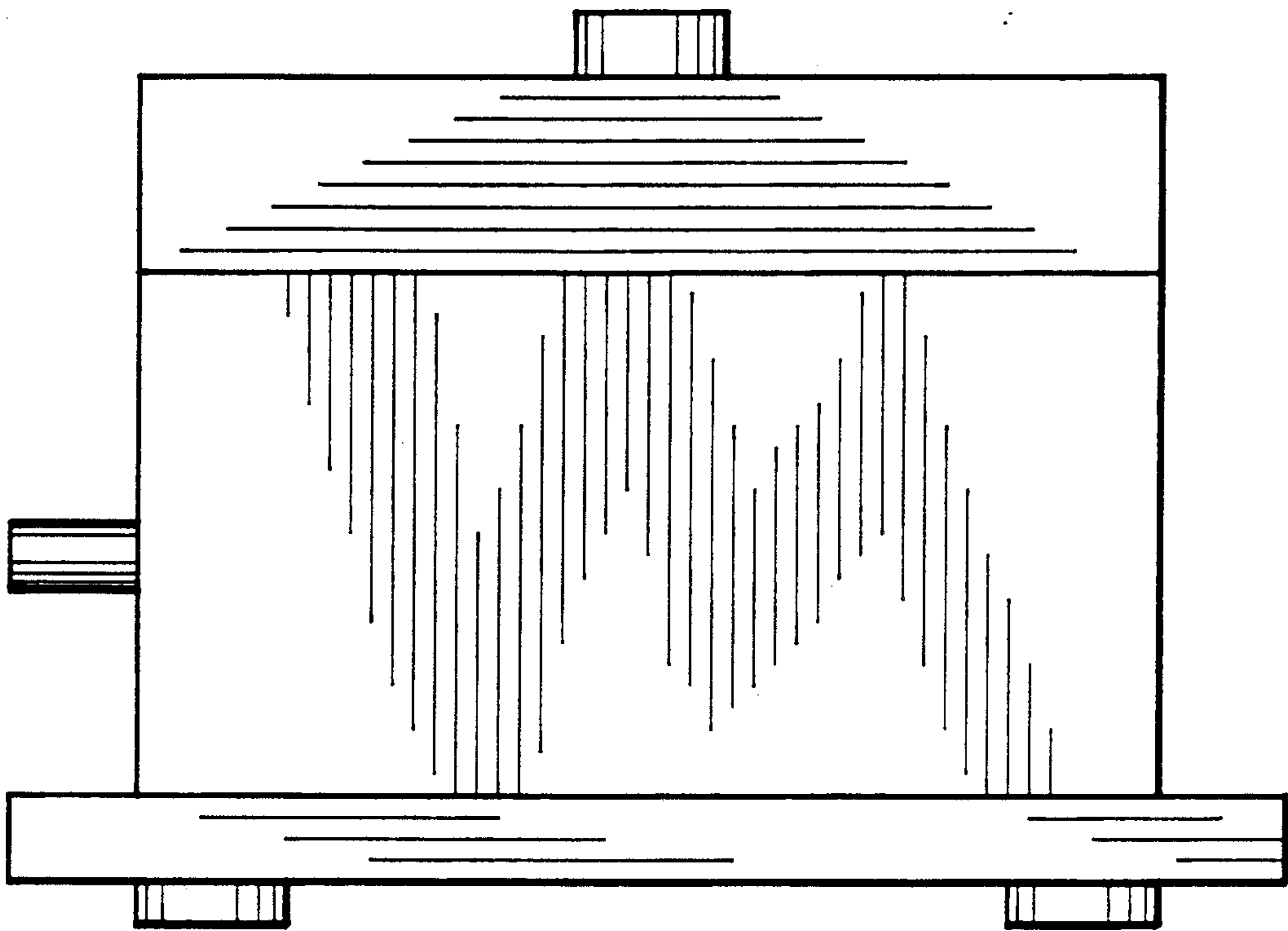


Fig. 2

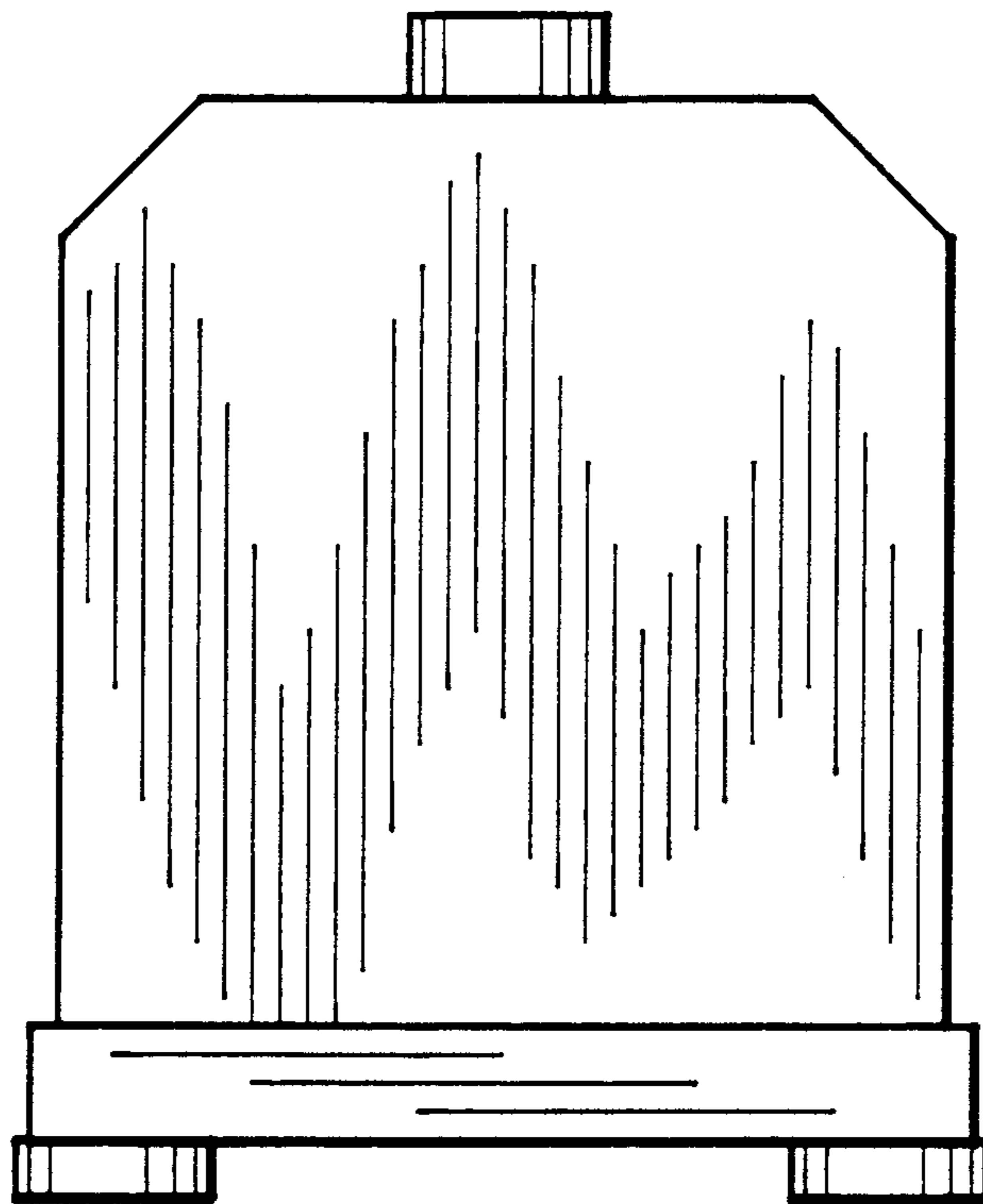


Fig. 3