

[54] **GLASS LAMP SHADE**

[75] **Inventor: Fran M. Dordick, Lyndhurst, Ohio**

[73] **Assignee: L. D. Kichler Co., Cleveland, Ohio**

[\*\*] **Term: 14 Years**

[21] **Appl. No.: 365,033**

[22] **Filed: Jun. 12, 1989**

[52] **U.S. Cl. .... D26/131**

[58] **Field of Search ..... D26/118, 128-137;  
362/326-361**

[56] **References Cited**

**U.S. PATENT DOCUMENTS**

D. 12,358	6/1905	Mygatt .	
D. 40,176	7/1909	Booth .	
D. 47,335	5/1915	Kopp .	
D. 51,077	7/1917	Owen .	
187,423	2/1877	Shirley .....	362/327
1,019,179	3/1912	Mygatt .....	362/340
1,042,463	10/1912	Mygatt .....	362/340
1,963,156	6/1934	Stewart .....	362/327

**OTHER PUBLICATIONS**

Kichler Lighting Catalog No. 467, pp. 37 and 65, (Aug. 1987).

*Primary Examiner*—Susan J. Lucas  
*Attorney, Agent, or Firm*—Tarolli, Sundheim & Covell

[57] **CLAIM**

The ornamental design for glass lamp shade, as shown and described.

**DESCRIPTION**

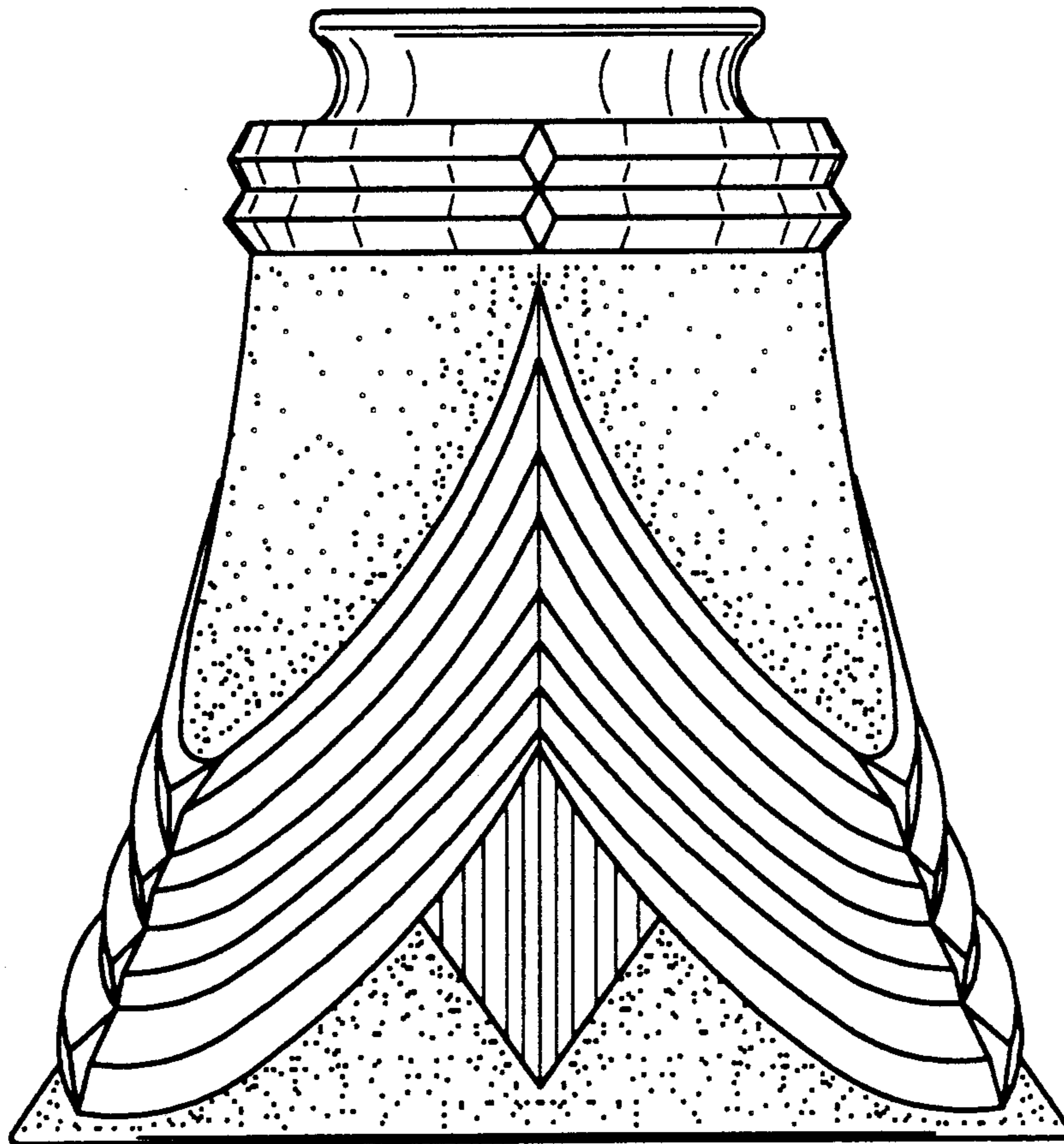
FIG. 1 is a side elevational view of a glass lamp shade showing my new design;

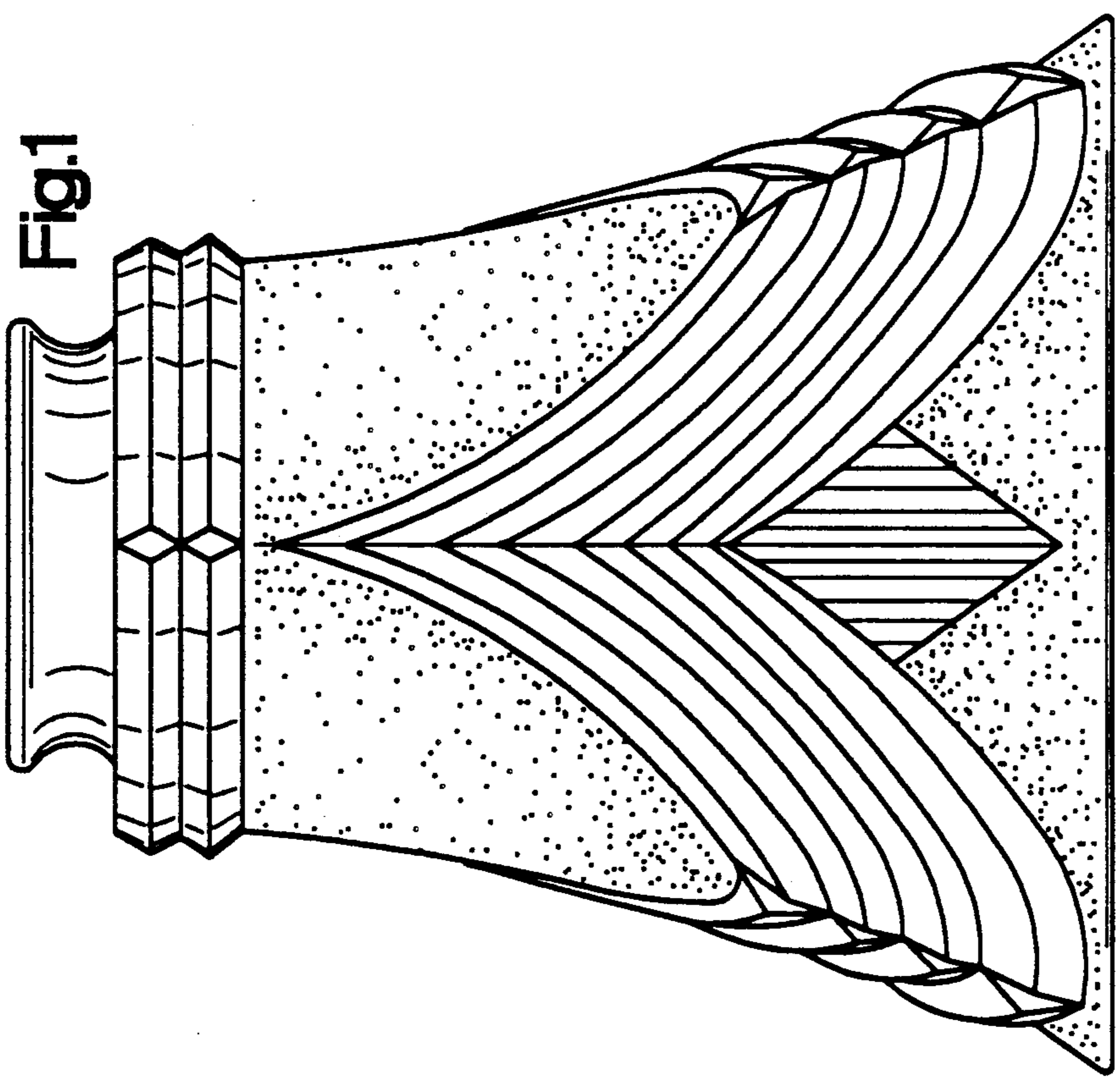
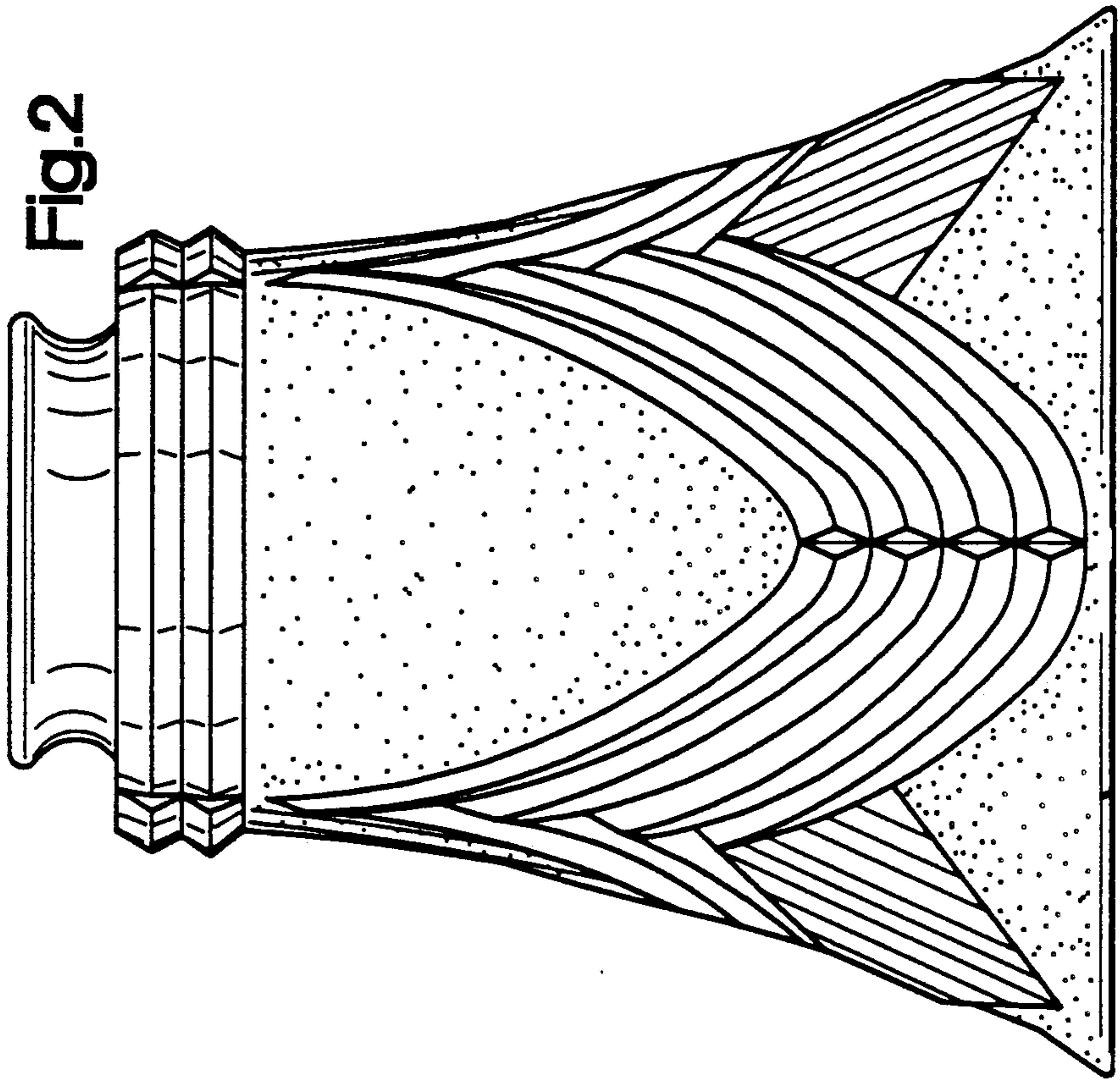
FIG. 2 is a side elevational view thereof, as turned 60 degrees from the position shown in FIG. 1;

FIG. 3 is a top plan view thereof;

FIG. 4 is a bottom plan view thereof.

The glass is clear in the vertically striated quadrilateral area near the bottom of the glass, in the V-shaped striated area, and the annular ring of striations near the top, and is frosted in the remaining non-striated areas as represented by stippling in the non-striated areas.





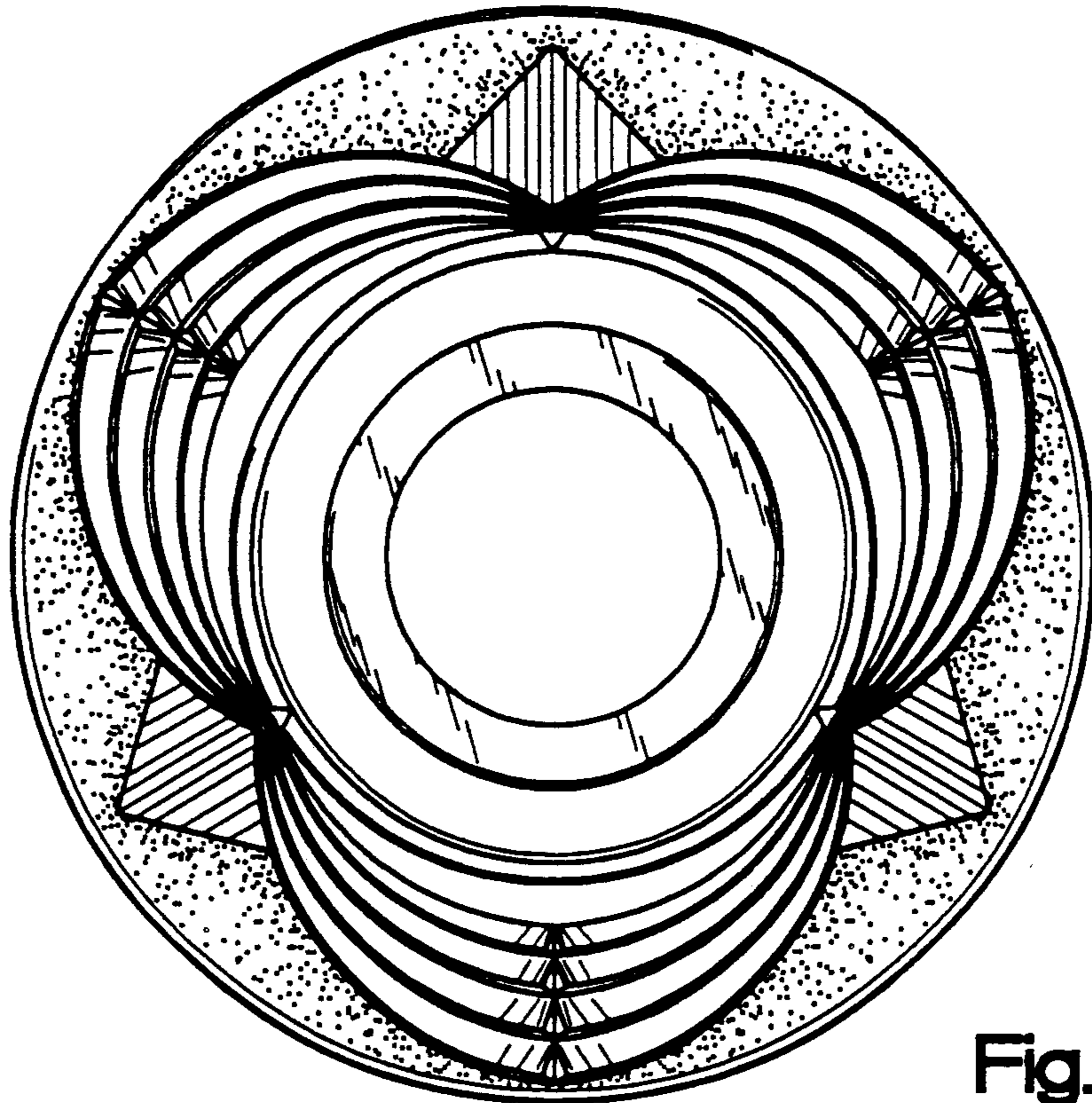


Fig.3

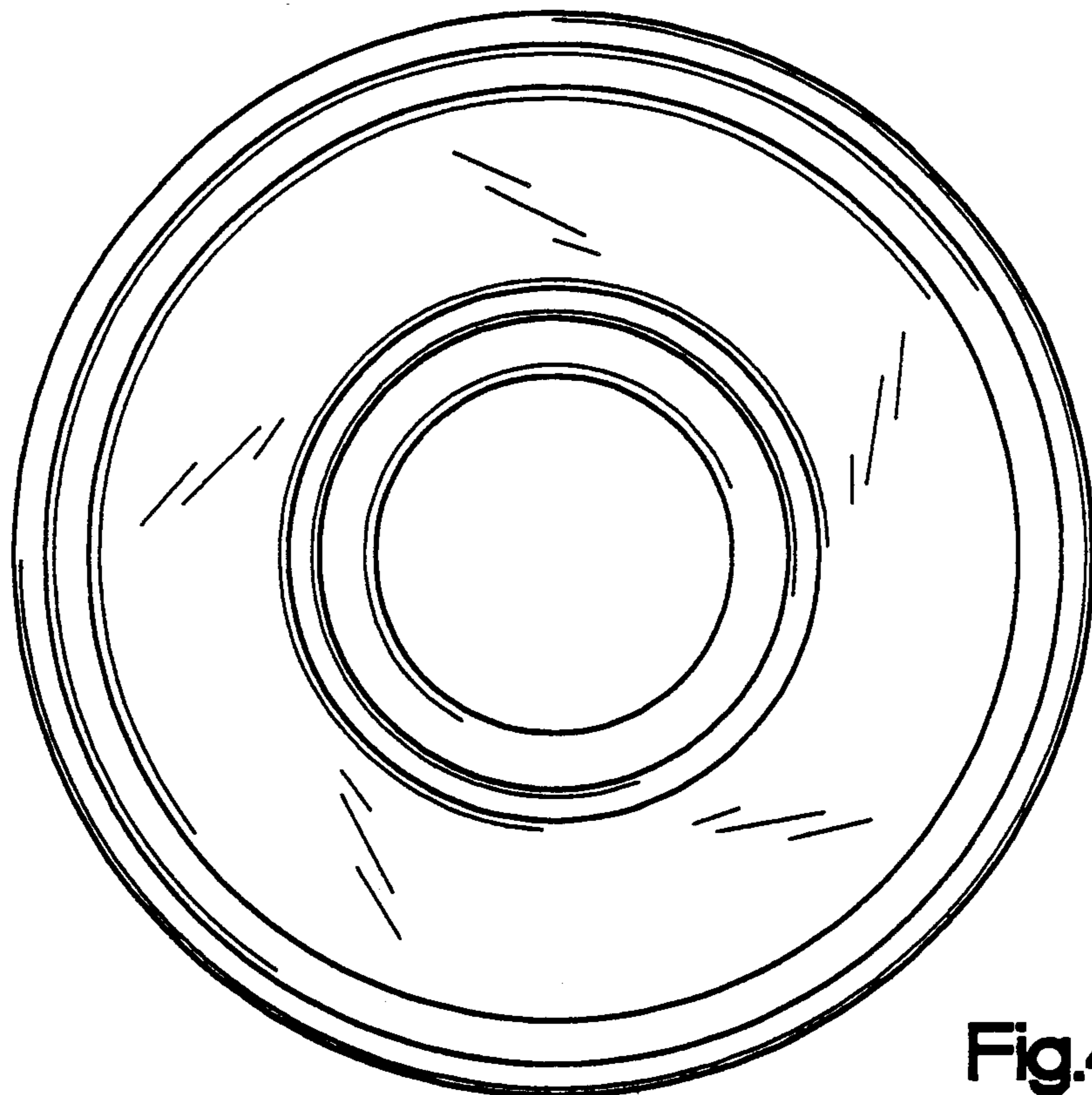


Fig.4